



US00D662964S

(12) **United States Design Patent**
Olsson et al.

(10) **Patent No.:** **US D662,964 S**
(45) **Date of Patent:** **** Jul. 3, 2012**

(54) **WEARABLE DISPLAY DEVICE**

(75) Inventors: **Maj Isabelle Olsson**, San Francisco, CA (US); **Mitchell Joseph Heinrich**, San Francisco, CA (US)

(73) Assignee: **Google Inc.**, Mountain View, CA (US)

(**) Term: **14 Years**

(21) Appl. No.: **29/404,647**

(22) Filed: **Oct. 24, 2011**

(51) **LOC (9) Cl.** **16-06**

(52) **U.S. Cl.** **D16/300; D16/309**

(58) **Field of Classification Search** D16/101,
D16/300-342, 900; D29/109-110; D24/110.2;
351/41, 44, 51-52, 62, 158, 92, 103-123,
351/140, 153, 45-46; 2/426-432, 447-449,
2/441, 434-437, 13, 15; D21/483, 659-661;
D14/372

See application file for complete search history.

(56) **References Cited**

U.S. PATENT DOCUMENTS

3,944,344	A *	3/1976	Wichers	351/41
4,240,718	A *	12/1980	Wichers	351/62
D334,557	S *	4/1993	Hunter et al.	D14/372
D337,320	S *	7/1993	Hunter et al.	D14/372
D354,974	S *	1/1995	Wielhouwer	D16/301
D402,651	S *	12/1998	Depay et al.	D14/372
D436,960	S *	1/2001	Budd et al.	D14/372
D533,893	S *	12/2006	Canavan et al.	D16/330
D565,082	S *	3/2008	McClure et al.	D16/309
D647,123	S *	10/2011	Cho	D16/309

* cited by examiner

Primary Examiner — Raphael Barkai

(74) *Attorney, Agent, or Firm* — Lerner, David, Littenberg, Krumholz & Mentlik, LLP

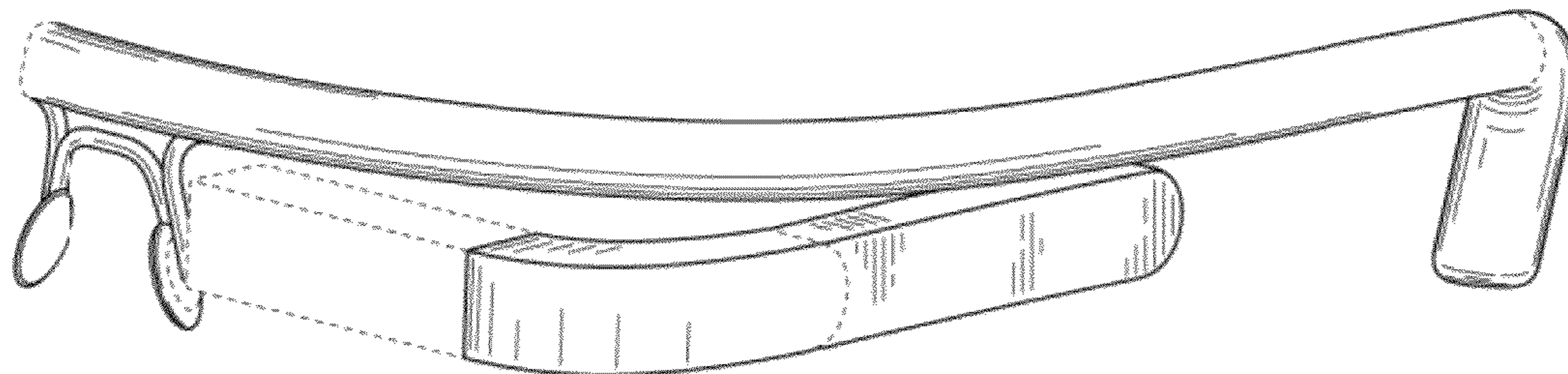
(57) **CLAIM**

The ornamental design for a wearable display device, as shown and described.

DESCRIPTION

FIG. 1 is a front perspective view of a wearable display device according to a first embodiment of our design;
 FIG. 2 is a front elevation view of the wearable display device of FIG. 1;
 FIG. 3 is a back elevation view of the wearable display device of FIG. 1;
 FIG. 4 is a right elevation view of the wearable display device of FIG. 1;
 FIG. 5 is a left elevation view of the wearable display device of FIG. 1;
 FIG. 6 is a top elevation view of the wearable display device of FIG. 1;
 FIG. 7 is a bottom elevation view of the wearable display device of FIG. 1;
 FIG. 8 is a front perspective view of a wearable display device according to a third embodiment of our design; and
 FIG. 9 is a right elevation view of the wearable display device of FIG. 8.
 FIG. 10 is a front perspective view of a wearable display device according to a second embodiment of our design;
 FIG. 11 is a front elevation view of the wearable display device of FIG. 10;
 FIG. 12 is a back elevation view of the wearable display device of FIG. 10;
 FIG. 13 is a right elevation view of the wearable display device of FIG. 10;
 FIG. 14 is a left elevation view of the wearable display device of FIG. 10;
 FIG. 15 is a top elevation view of the wearable display device of FIG. 10; and,
 FIG. 16 is a bottom elevation view of the wearable display device of FIG. 10.
 Broken lines are environmental only and form no part of the claimed design.

1 Claim, 12 Drawing Sheets



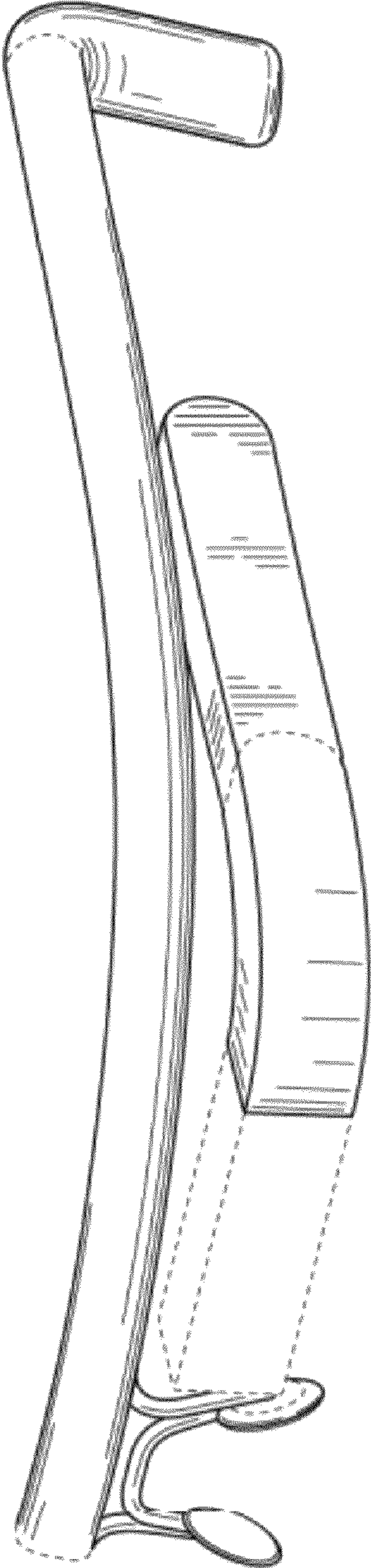


FIG. 1

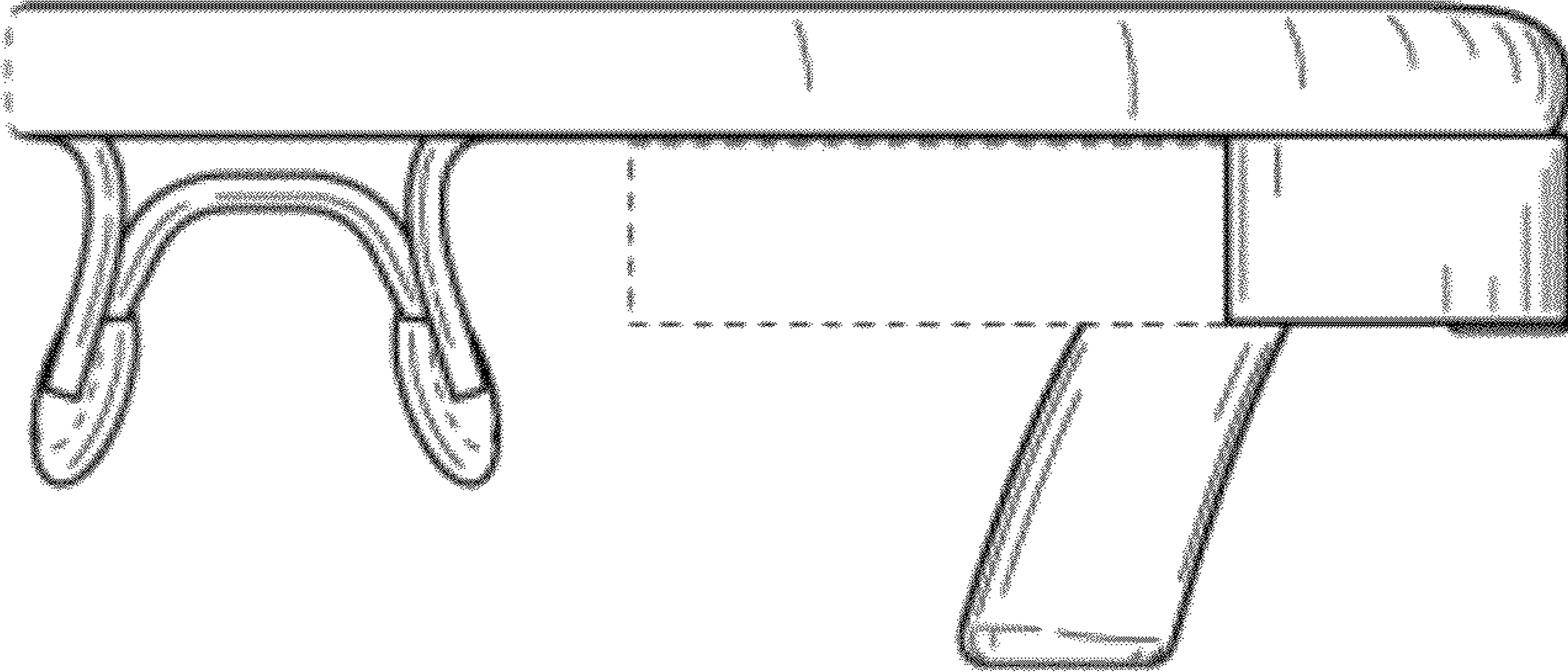


FIG. 2

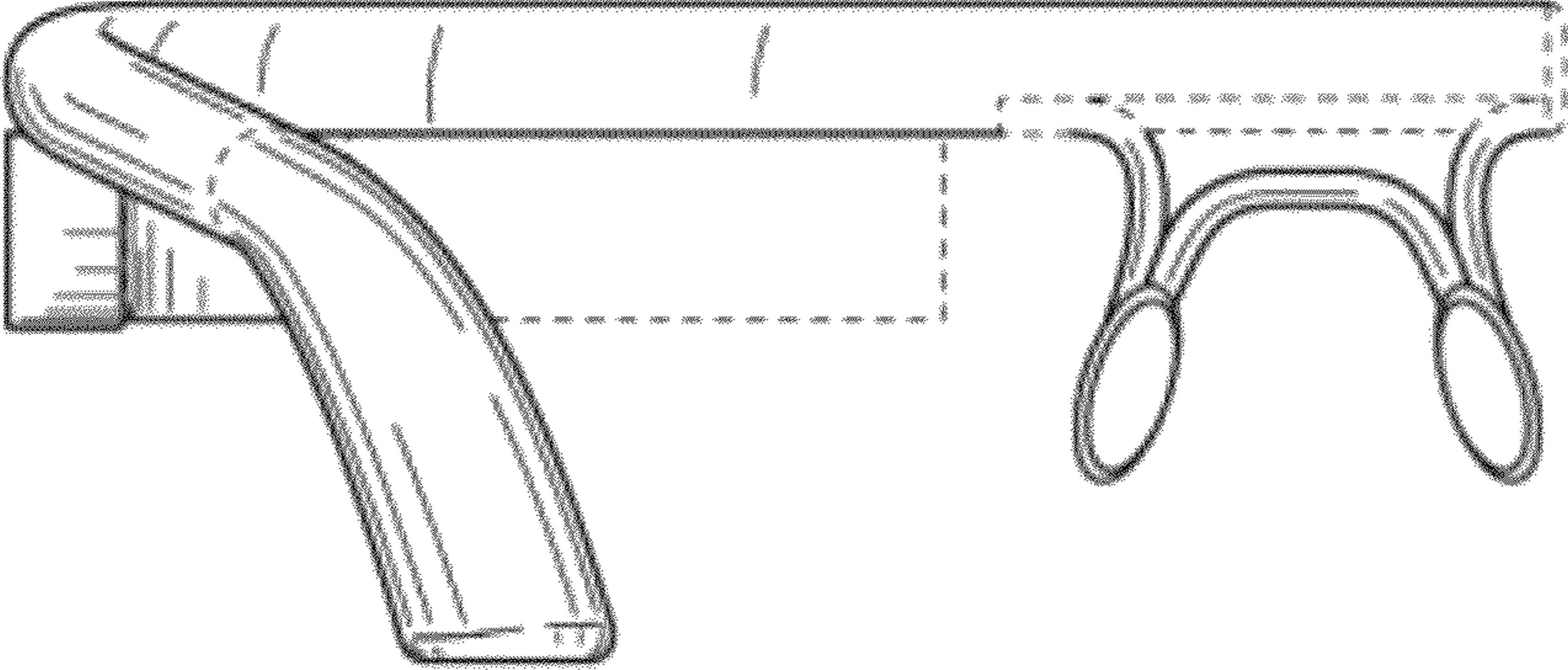


FIG. 3

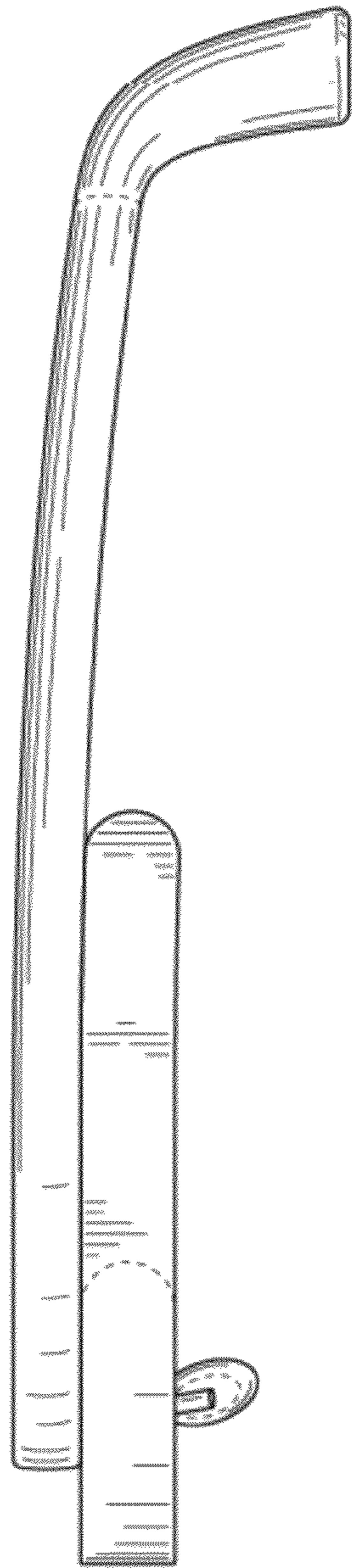


FIG. 4

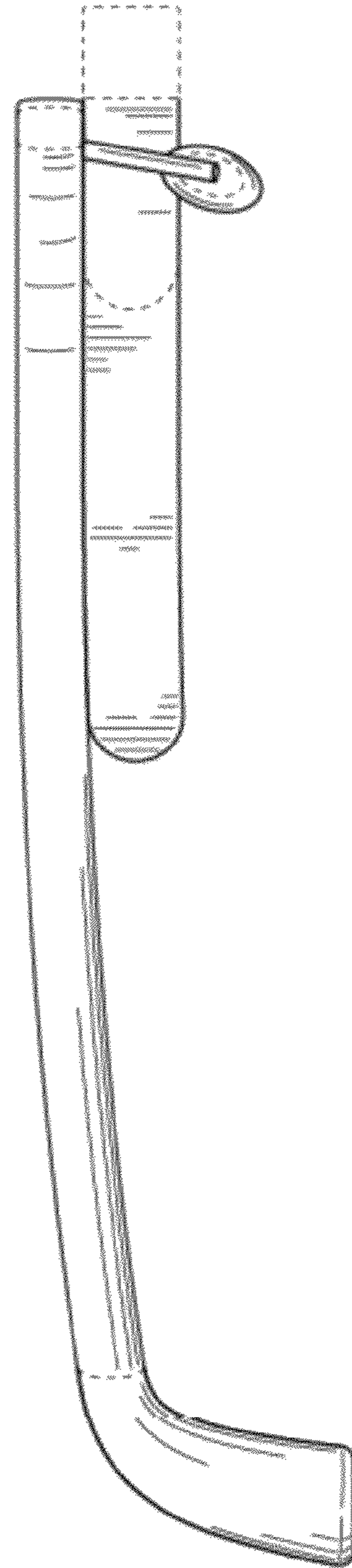


FIG. 5



FIG. 6

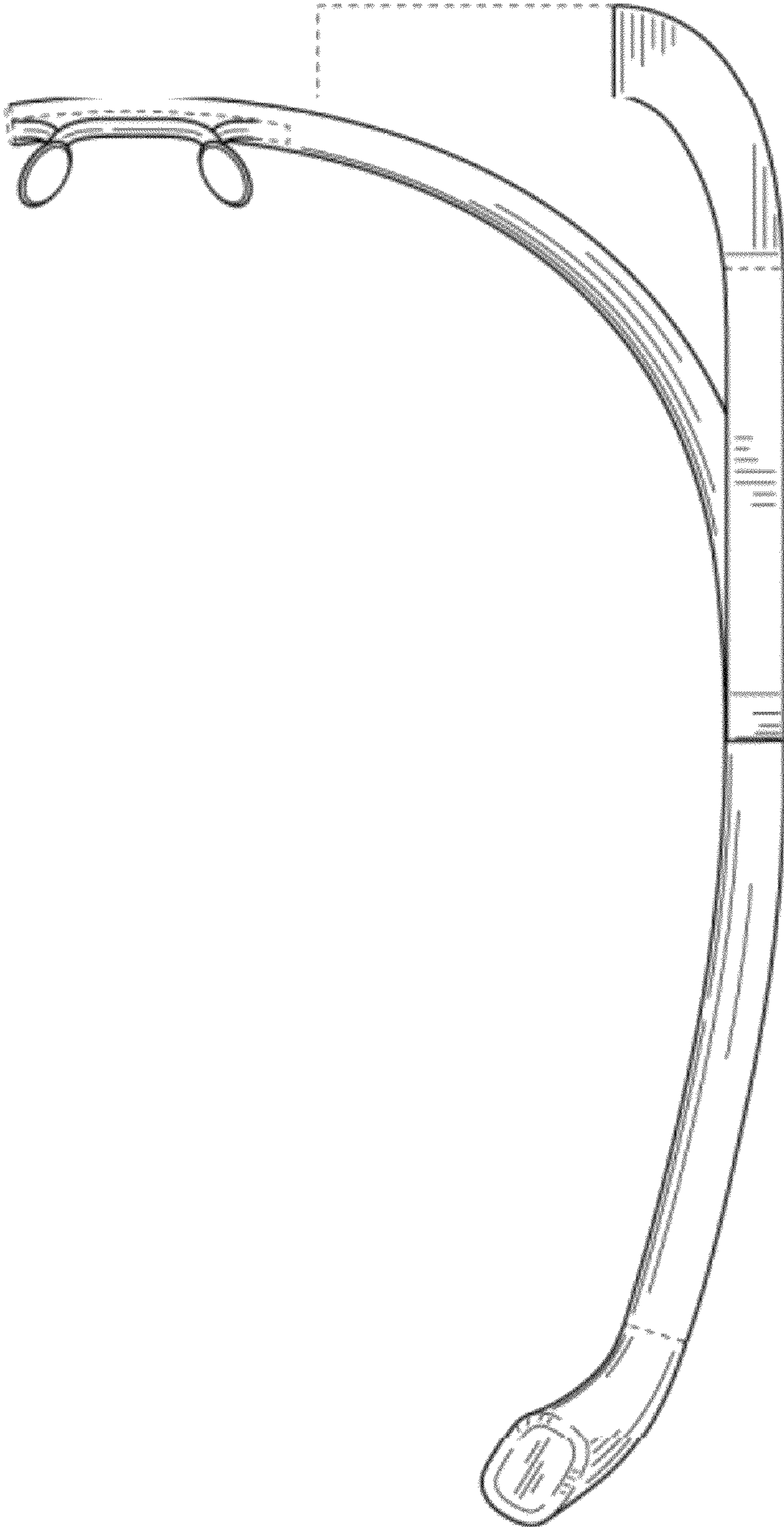


FIG. 7

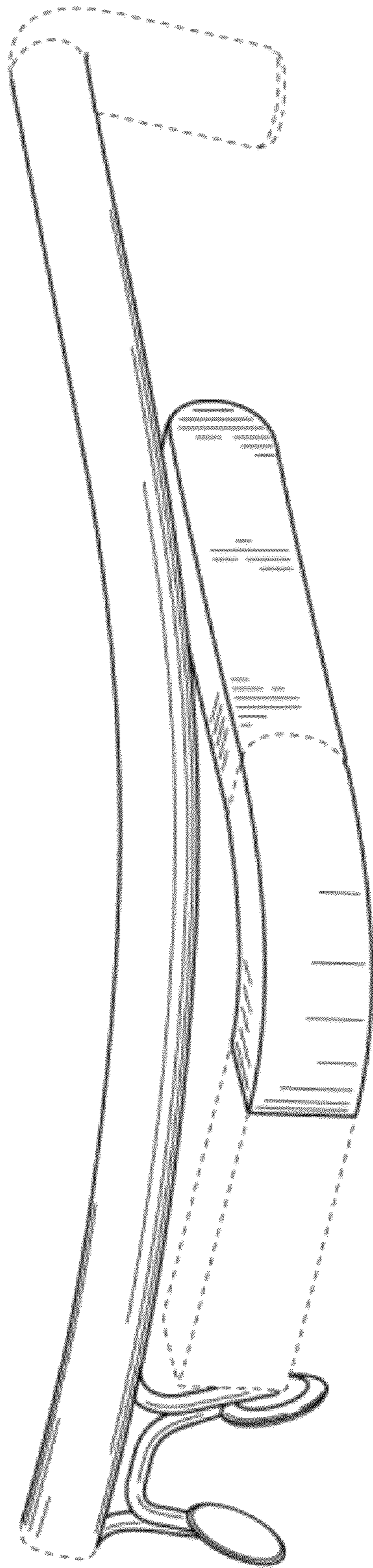


FIG. 8

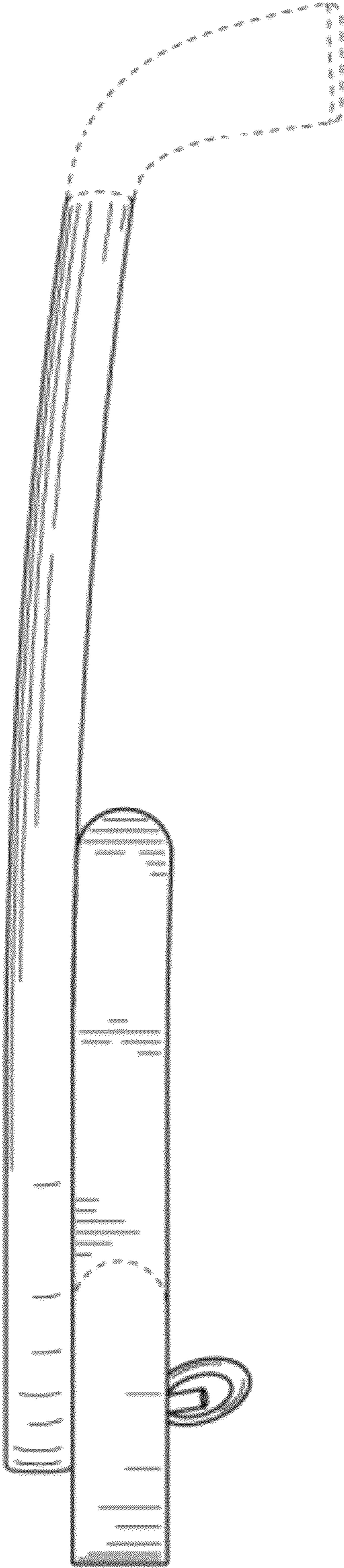


FIG. 9

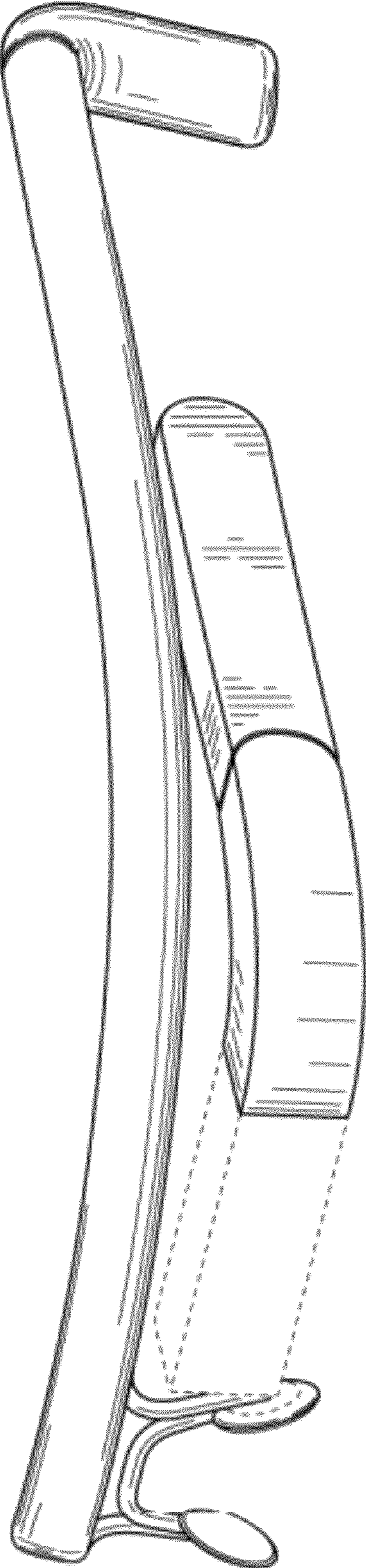


FIG. 10

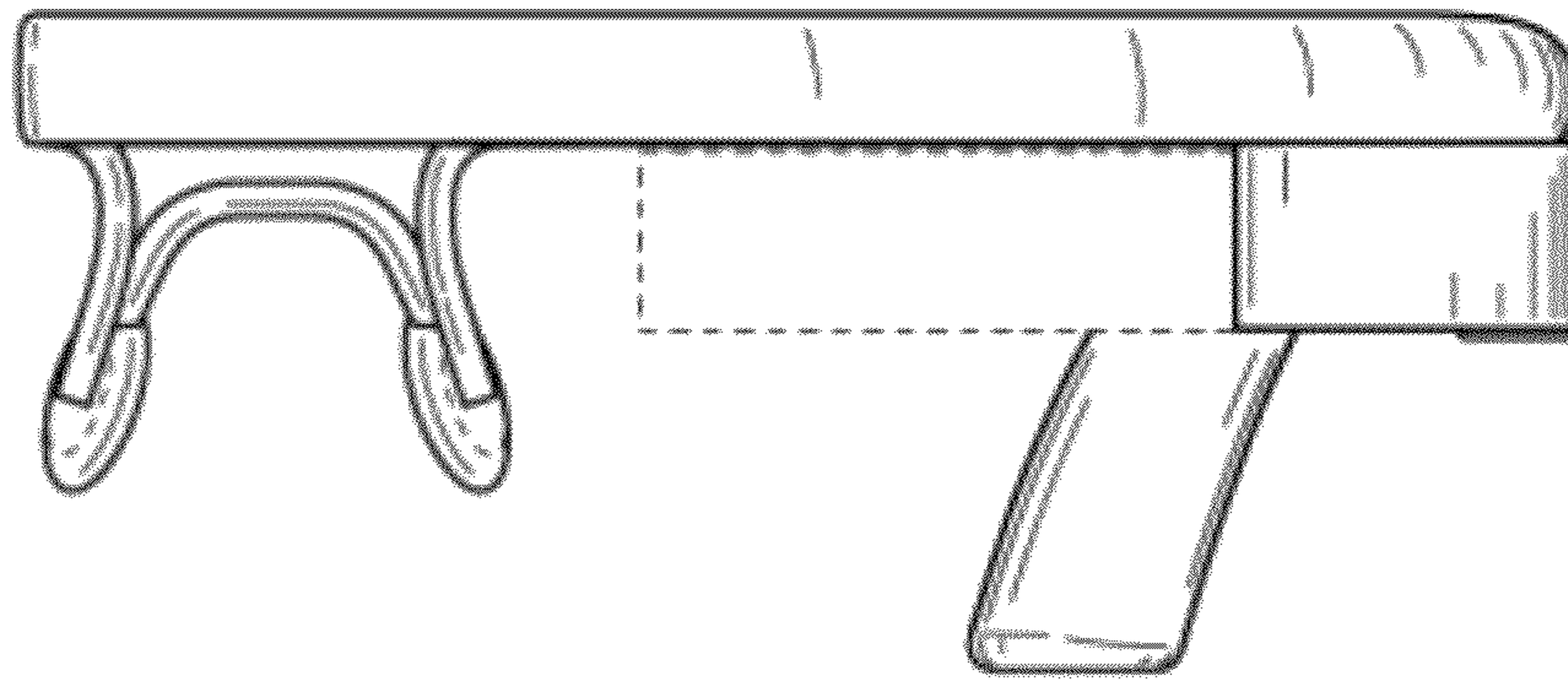


FIG. 11

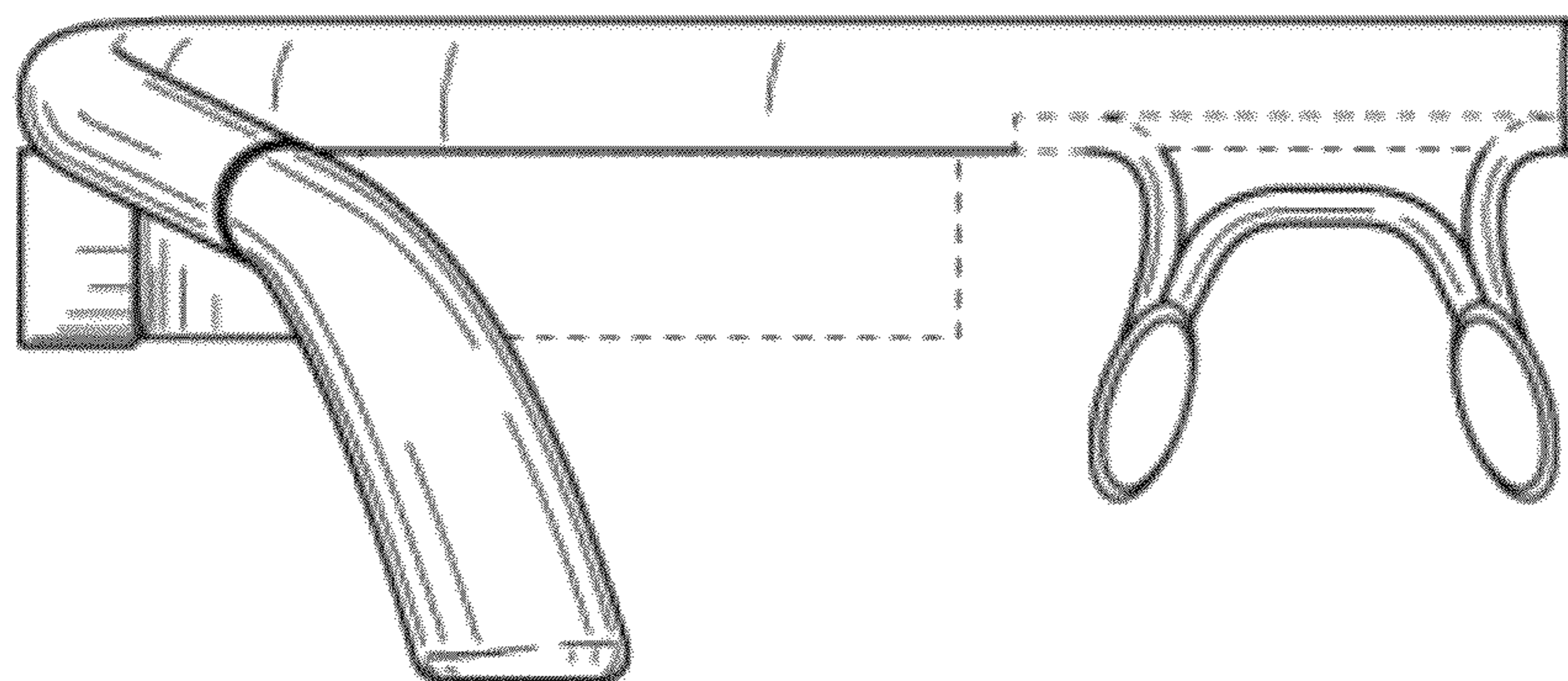


FIG. 12

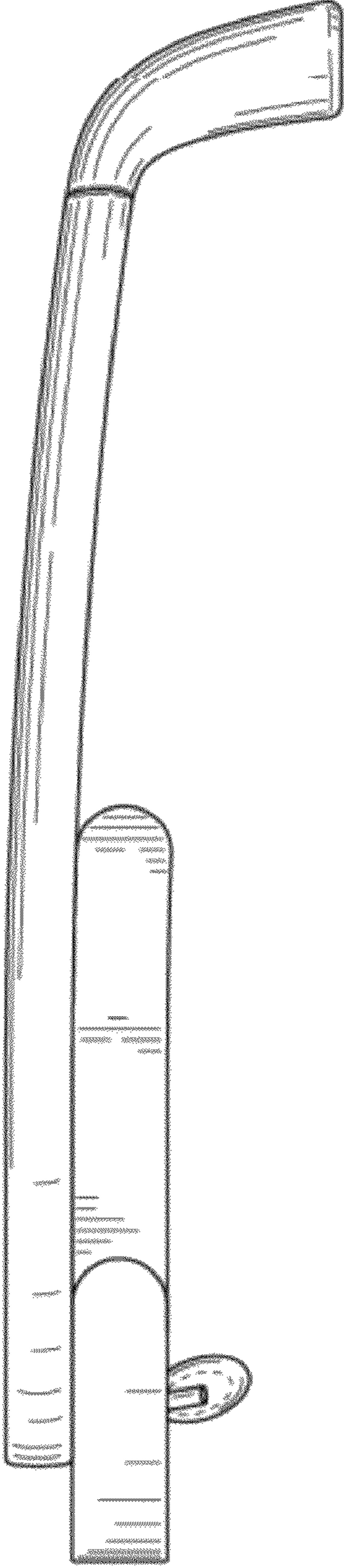


FIG. 13

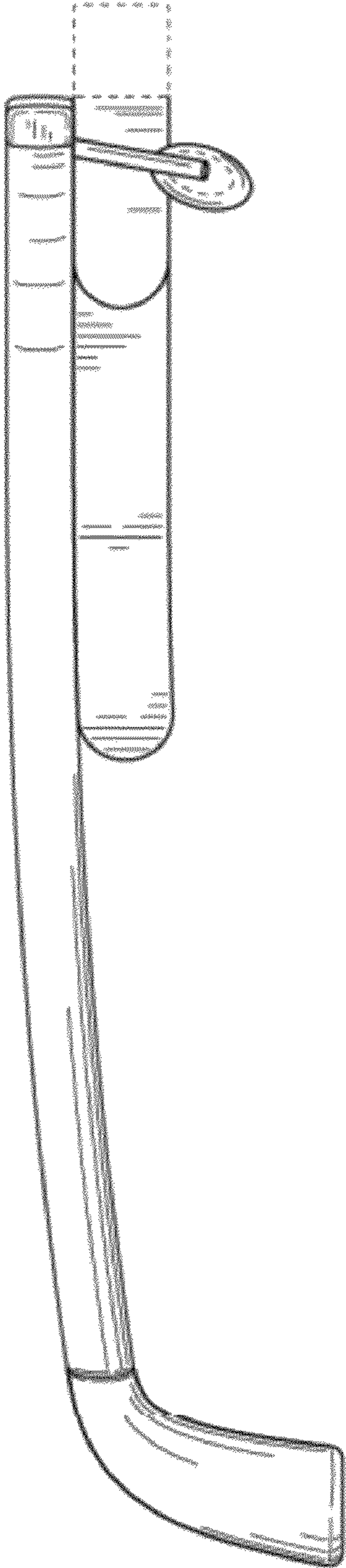


FIG. 14



FIG. 15

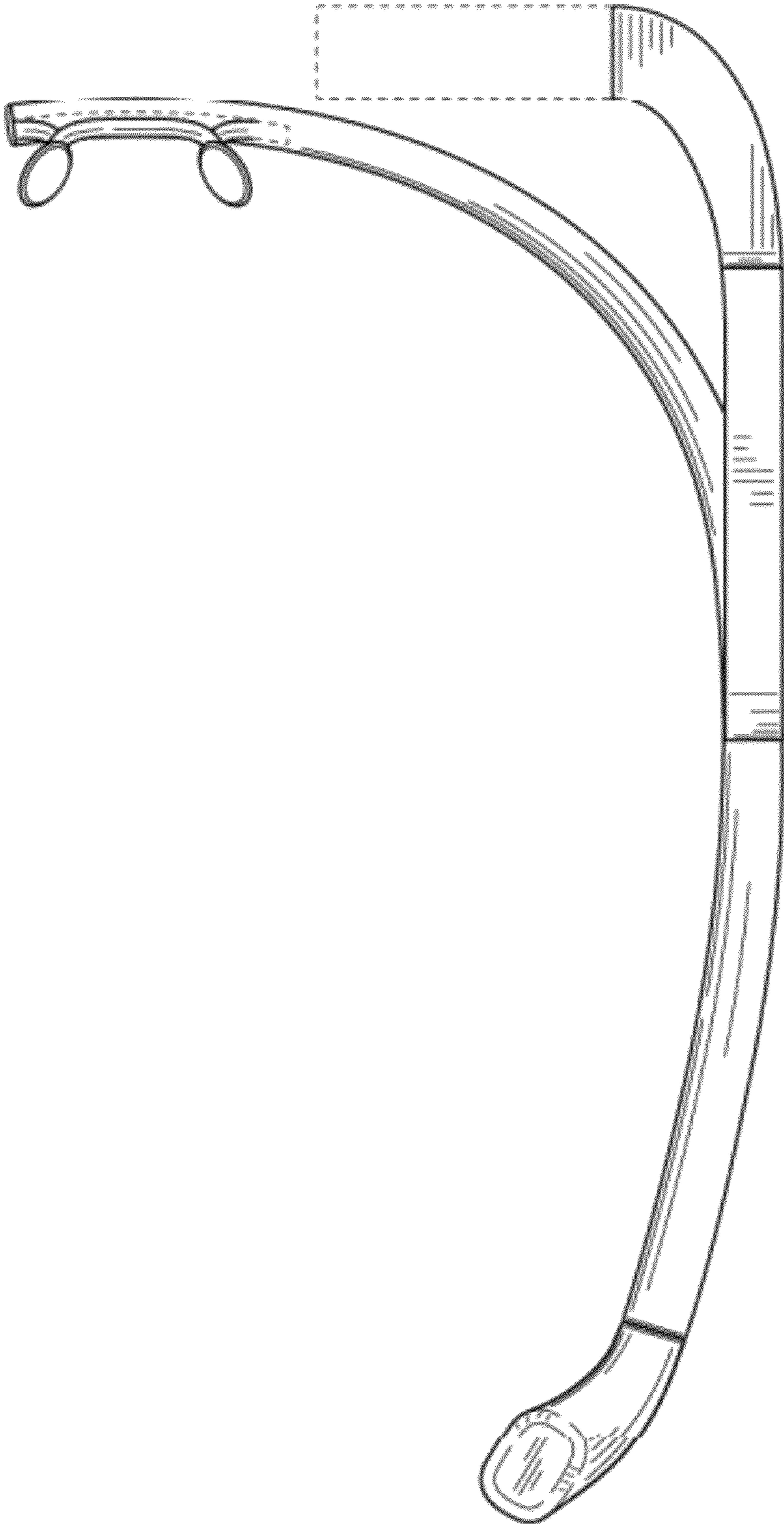


FIG. 16