



US00D662963S

(12) **United States Design Patent**
Muraki

(10) **Patent No.:** **US D662,963 S**
(45) **Date of Patent:** **** Jul. 3, 2012**

(54) **DIGITAL CAMERA**
(75) Inventor: **Shinjiro Muraki**, Tokyo (JP)
(73) Assignee: **Nikon Corporation** (JP)
(**) Term: **14 Years**
(21) Appl. No.: **29/398,580**
(22) Filed: **Aug. 2, 2011**

D574,030 S * 7/2008 Nakajima D16/219
D631,499 S * 1/2011 Meguro D16/219
D652,067 S * 1/2012 Katsuraku et al. D16/219

FOREIGN PATENT DOCUMENTS

JP 876850 9/1993
* cited by examiner

Primary Examiner — Adir Aronovich
(74) *Attorney, Agent, or Firm* — Caesar, Rivise, Bernstein, Cohen & Pokotilow, Ltd.

(30) **Foreign Application Priority Data**

Feb. 7, 2011 (JP) 2011-002534

(51) **LOC (9) Cl.** **16-05**
(52) **U.S. Cl.** **D16/219**
(58) **Field of Classification Search** D16/200–204,
D16/208, 218, 219; 348/373–376; 358/909.1;
396/535–541
See application file for complete search history.

(57) **CLAIM**

The ornamental design for a digital camera, as shown and described.

DESCRIPTION

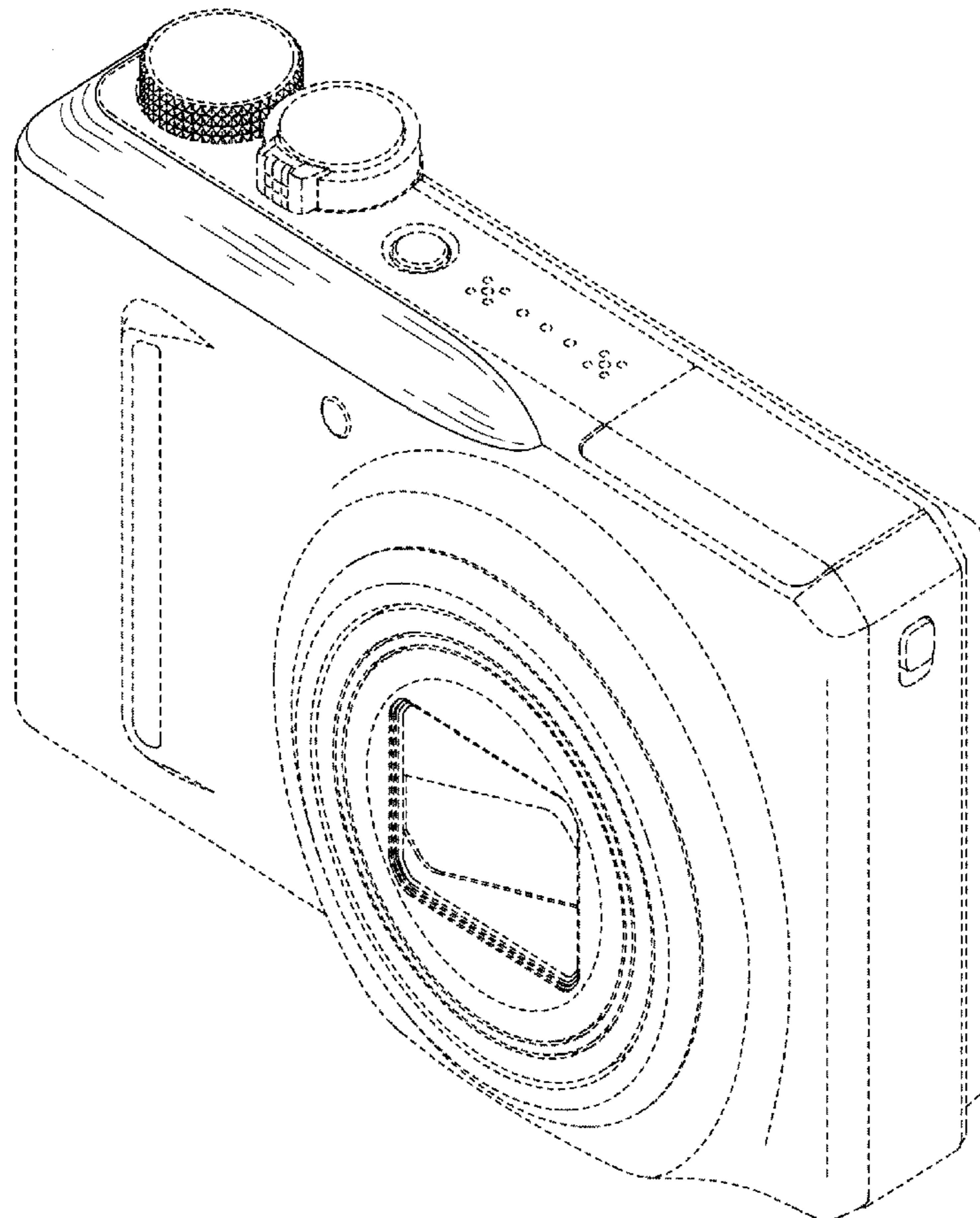
FIG. 1 is a top, front and right side perspective view of a digital camera showing my new design; FIG. 2 is a front elevational view thereof; FIG. 3 is a top plan view thereof; and, FIG. 4 is left side elevational view thereof. The features shown in broken lines in the drawings depict environmental subject matter only and form no part of the claimed design.

(56) **References Cited**

U.S. PATENT DOCUMENTS

D556,230 S * 11/2007 Hanafusa et al. D16/202
D557,311 S * 12/2007 Hanafusa et al. D16/219

1 Claim, 4 Drawing Sheets



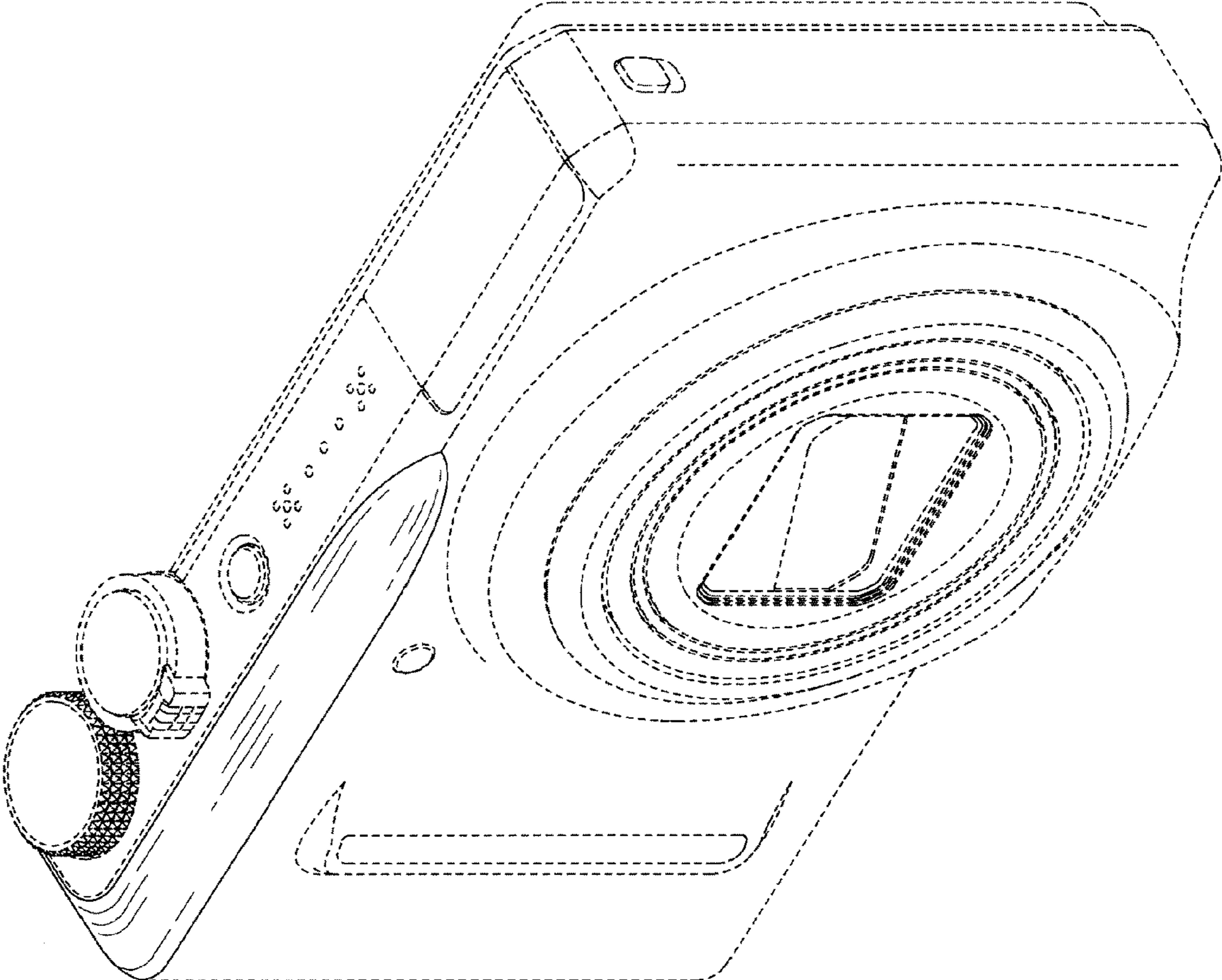


Fig. 1

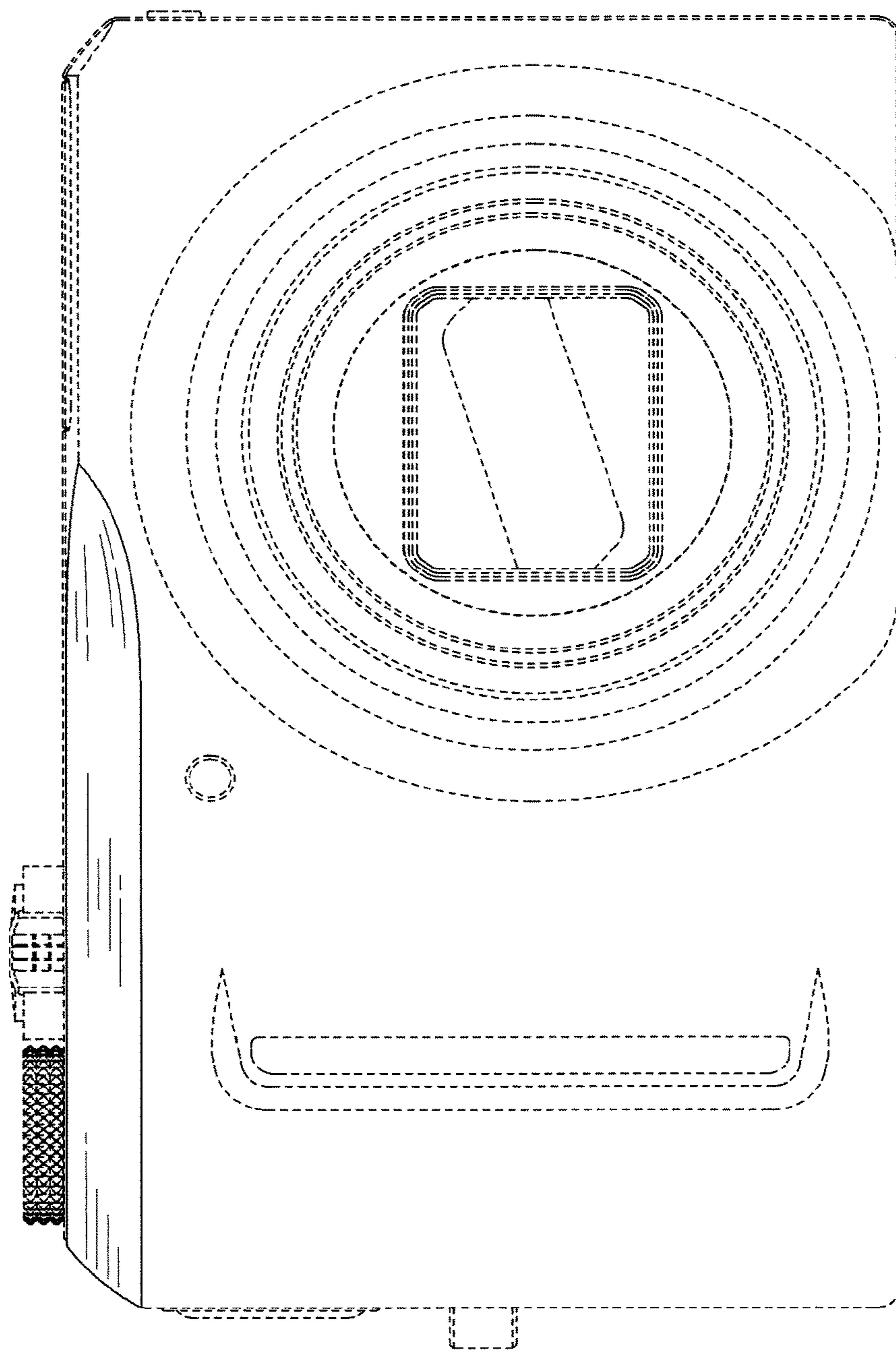


Fig. 2

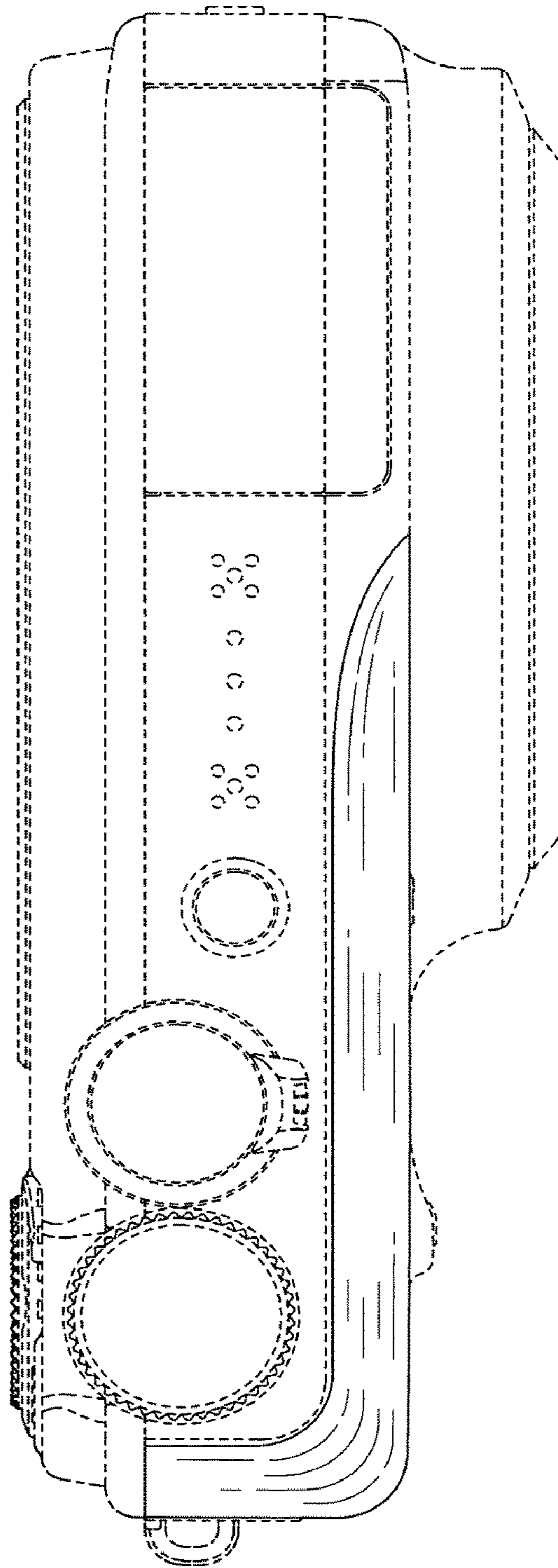


Fig. 3

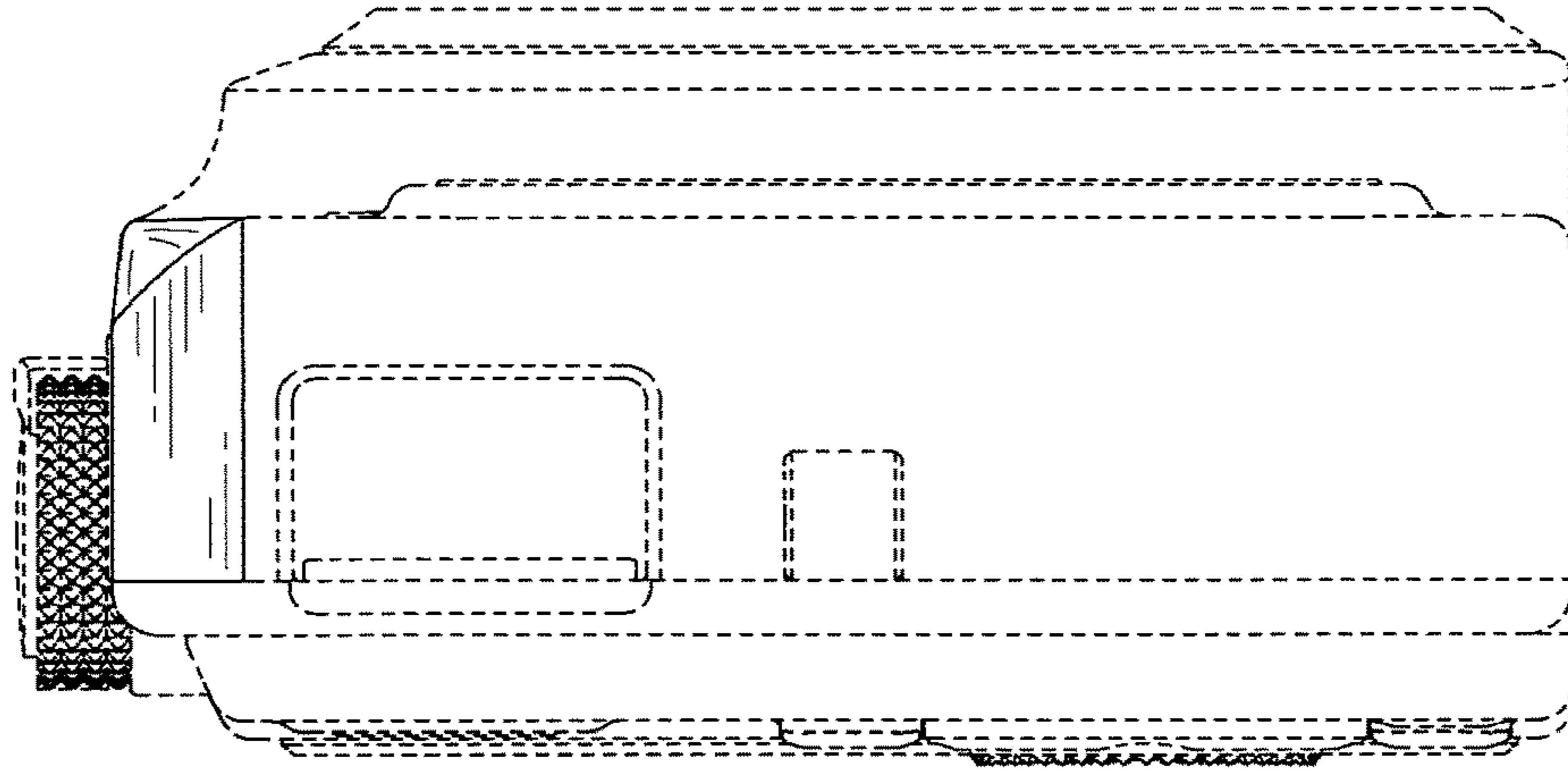


FIG. 4