



US00D662962S

(12) **United States Design Patent**
Inoue

(10) **Patent No.:** **US D662,962 S**

(45) **Date of Patent:** **** Jul. 3, 2012**

(54) **DIGITAL CAMERA**

(75) Inventor: **Shiki Inoue**, Tokyo (JP)

(73) Assignee: **Nikon Corporation** (JP)

(**) Term: **14 Years**

(21) Appl. No.: **29/398,571**

(22) Filed: **Aug. 2, 2011**

(30) **Foreign Application Priority Data**

Feb. 7, 2011 (JP) 2011-002531

(51) **LOC (9) Cl.** **16-05**

(52) **U.S. Cl.** **D16/219**

(58) **Field of Classification Search** D16/200–204,
D16/208, 218, 219; 348/373–376; 358/909.1;
396/535–541

See application file for complete search history.

(56) **References Cited**

U.S. PATENT DOCUMENTS

| | | | | | | |
|-----------|----|---|---------|-----------------|-------|------------|
| D556,230 | S | * | 11/2007 | Hanafusa et al. | | D16/202 |
| D557,311 | S | * | 12/2007 | Hanafusa et al. | | D16/219 |
| D564,563 | S | * | 3/2008 | Kamiya et al. | | D16/219 |
| D597,578 | S | * | 8/2009 | Kim et al. | | D16/202 |
| 7,778,014 | B2 | * | 8/2010 | Saiki et al. | | 361/679.01 |
| D629,437 | S | * | 12/2010 | Takagi | | D16/219 |
| D631,499 | S | * | 1/2011 | Meguro | | D16/219 |
| D639,841 | S | * | 6/2011 | Sul | | D16/202 |

OTHER PUBLICATIONS

Website, http://www.amazon.com/gp/product/images/B002LITT42/ref=dp_image_z_0?ie=UTF8&n=502394&s=photo,
Access Date: Dec. 8, 2009, Date of Acceptance by the JPO: Dec. 11,
2009, Name of Publisher: Amazon.com, Inc., Title: Canon Power
Shot S90IS 10MP Digital Camera with 3.8x Wide A, (JPO Reference
No. HJ21048691).

* cited by examiner

Primary Examiner — Adir Aronovich

(74) *Attorney, Agent, or Firm* — Caesar, Rivise, Bernstein,
Cohen & Pokotilow, Ltd.

(57) **CLAIM**

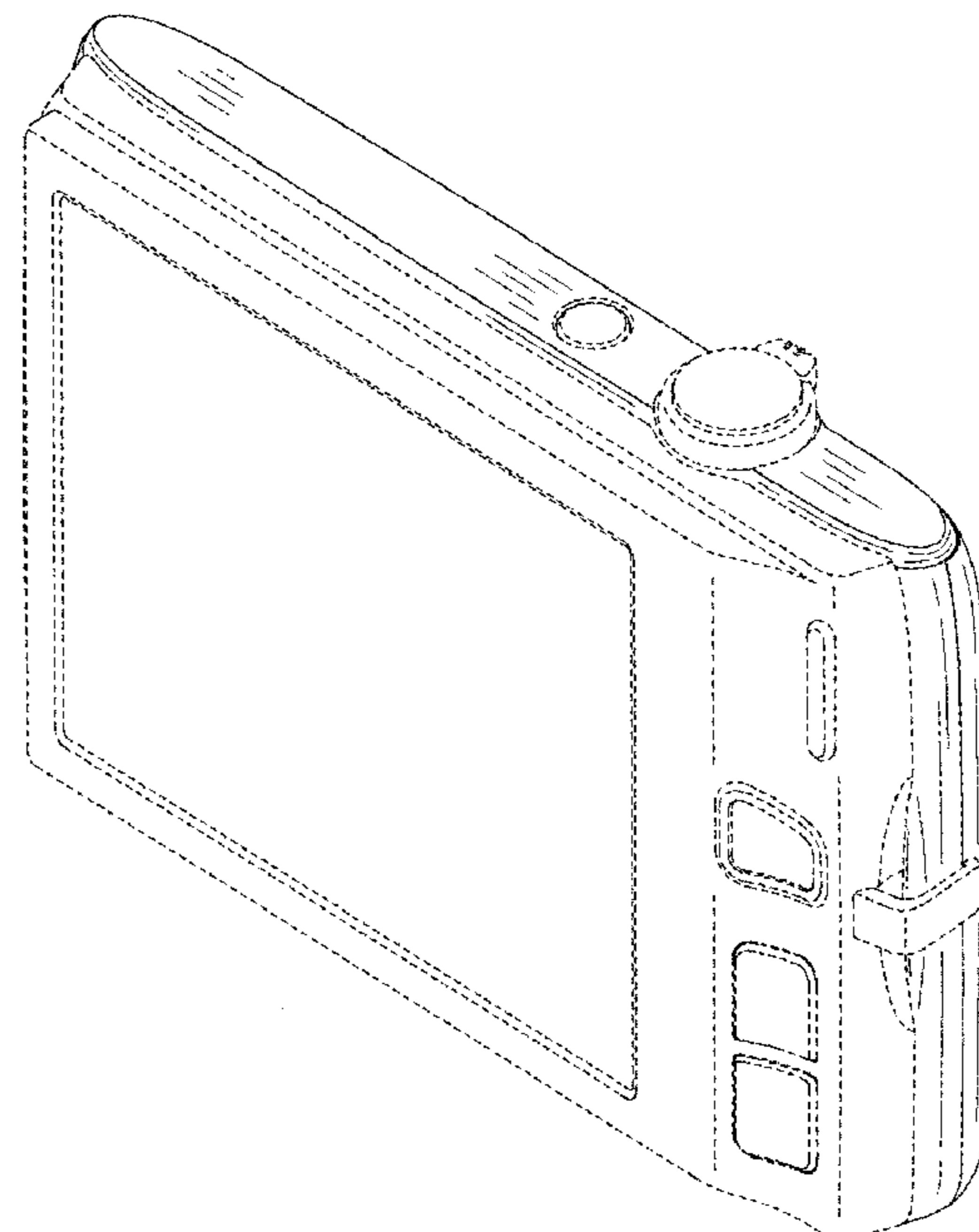
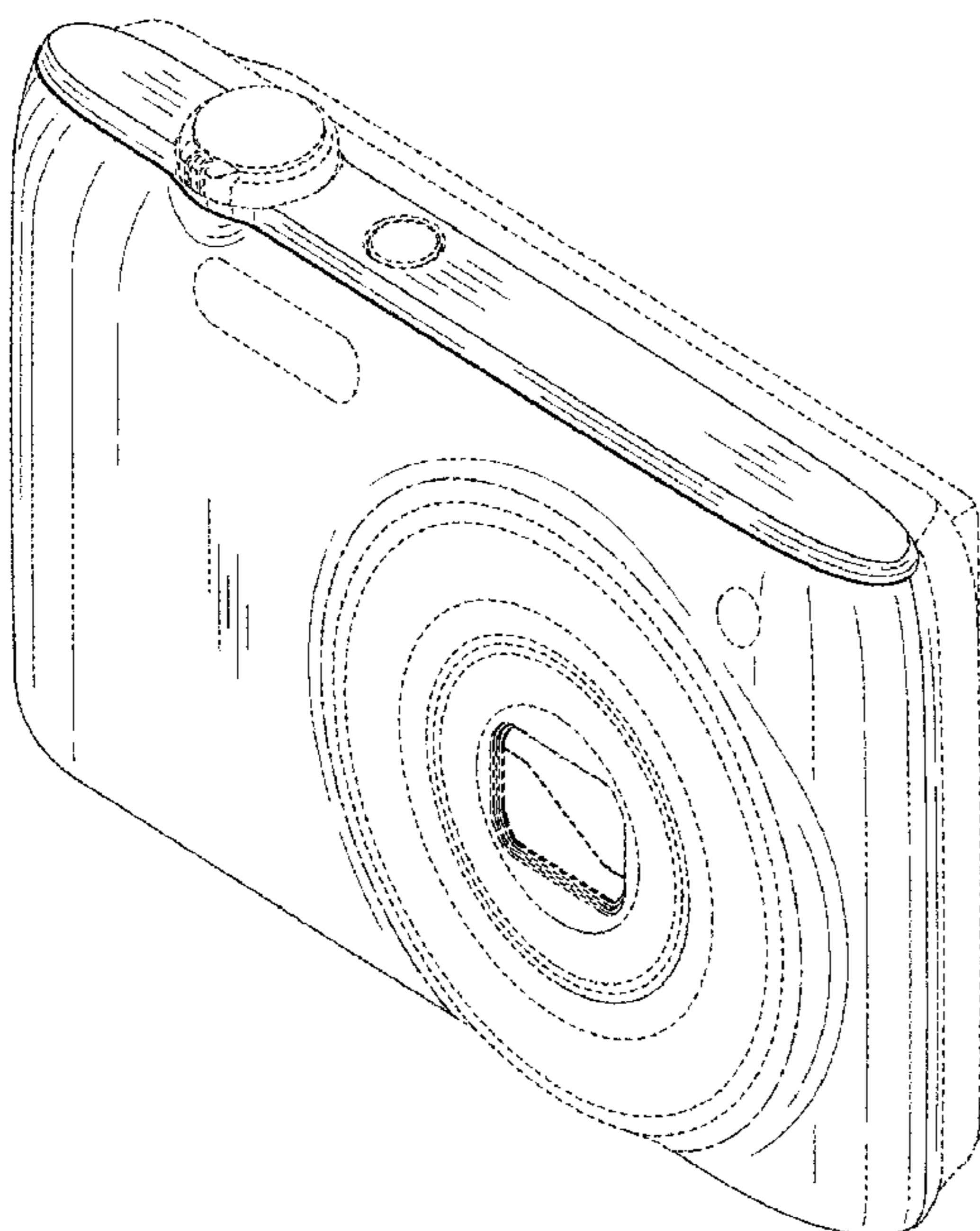
The ornamental design for a digital camera, as shown and
described.

DESCRIPTION

FIG. 1 is a top, front and right side perspective view of a
digital camera showing my new design;
FIG. 2 is a top rear and left side perspective view thereof;
FIG. 3 is a front elevational view thereof;
FIG. 4 is a rear elevational view thereof;
FIG. 5 is a top plan view thereof;
FIG. 6 is a bottom plan view thereof;
FIG. 7 is a right side elevational view thereof; and,
FIG. 8 is a left side elevational view thereof.

The features shown in broken lines in the drawings depict
environmental subject matter only and form no part of the
claimed design. The dot-dash broken lines define the bound-
aries of the claimed design but form no part thereof.

1 Claim, 6 Drawing Sheets



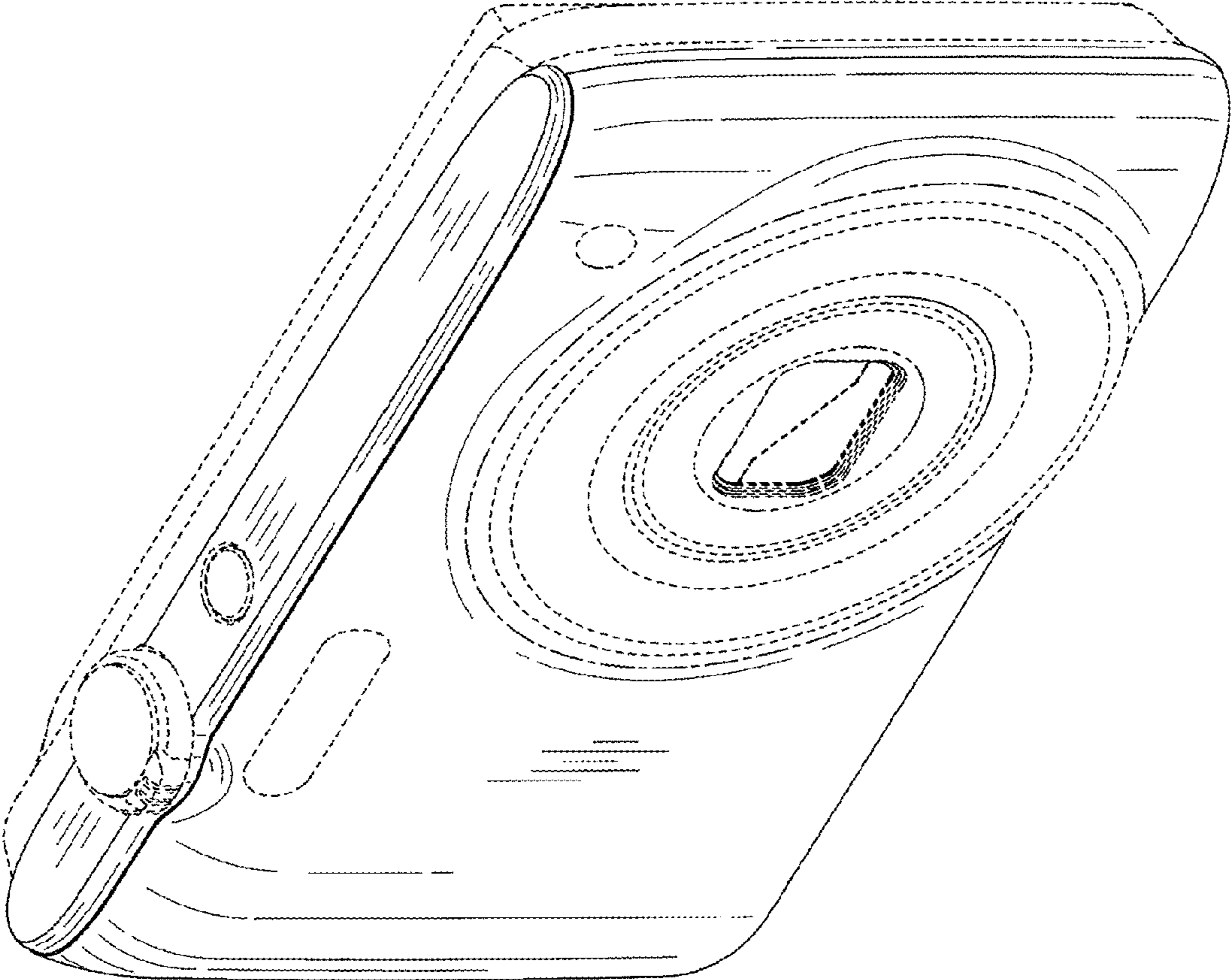


Fig. 1

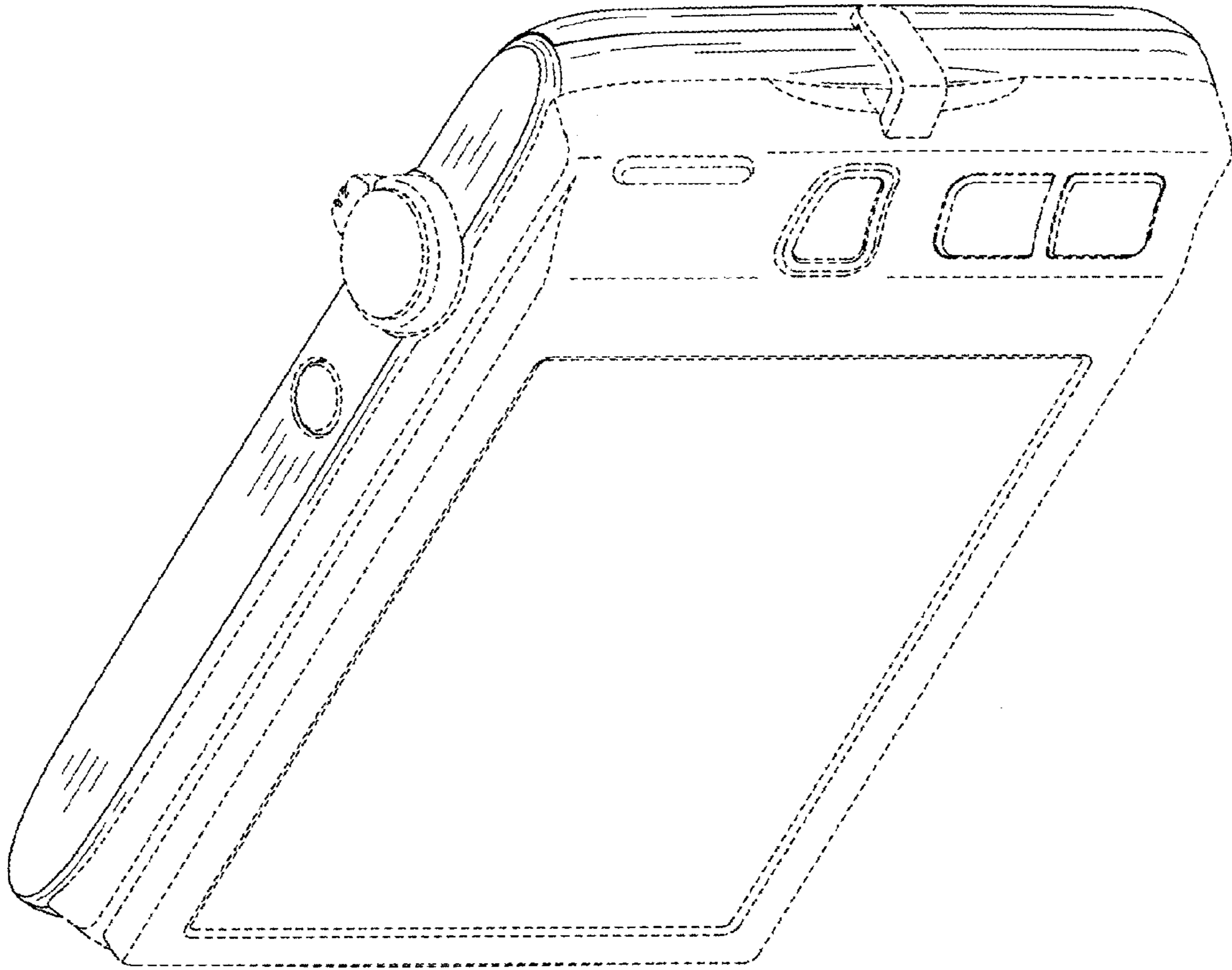


Fig. 2

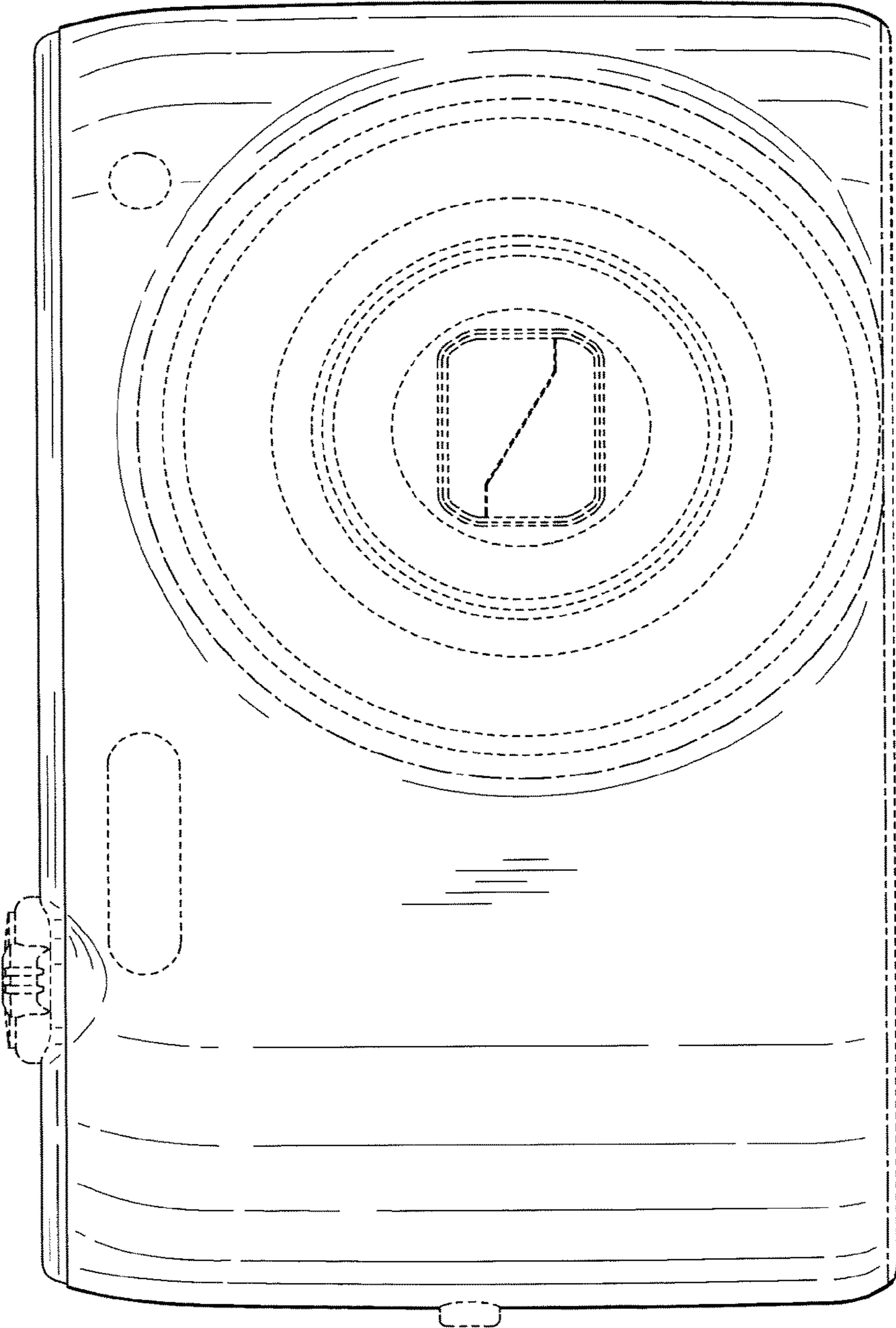


Fig. 3

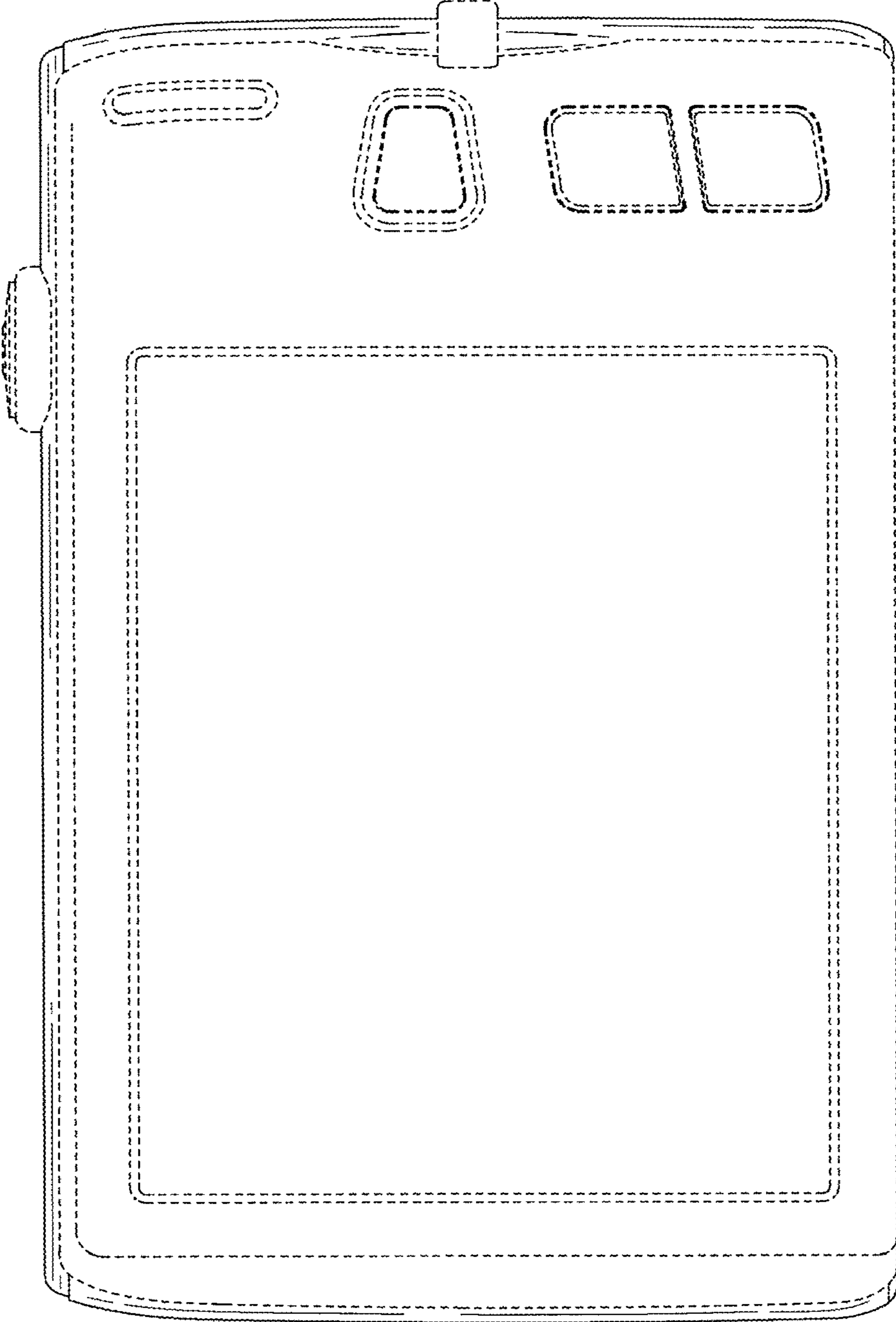


Fig. 4

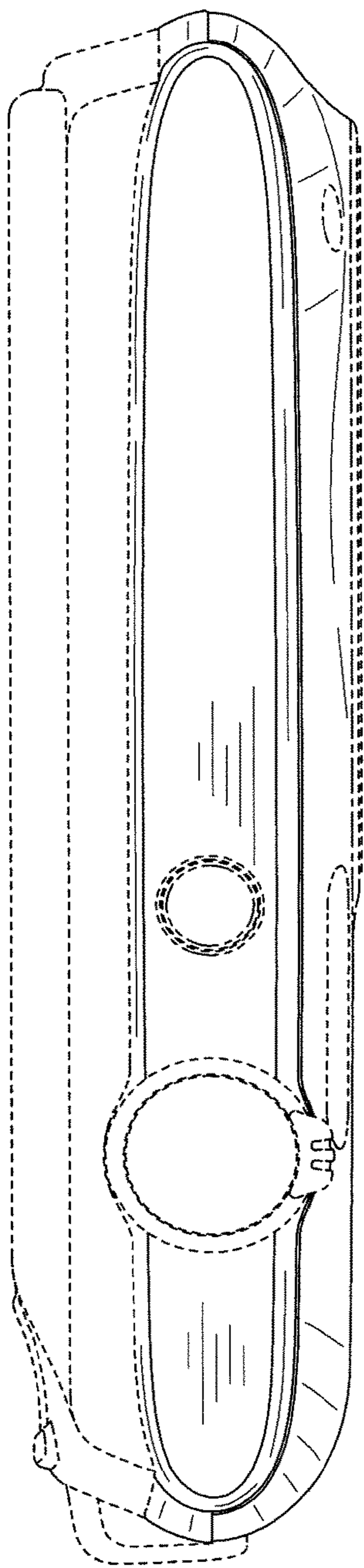


Fig. 5

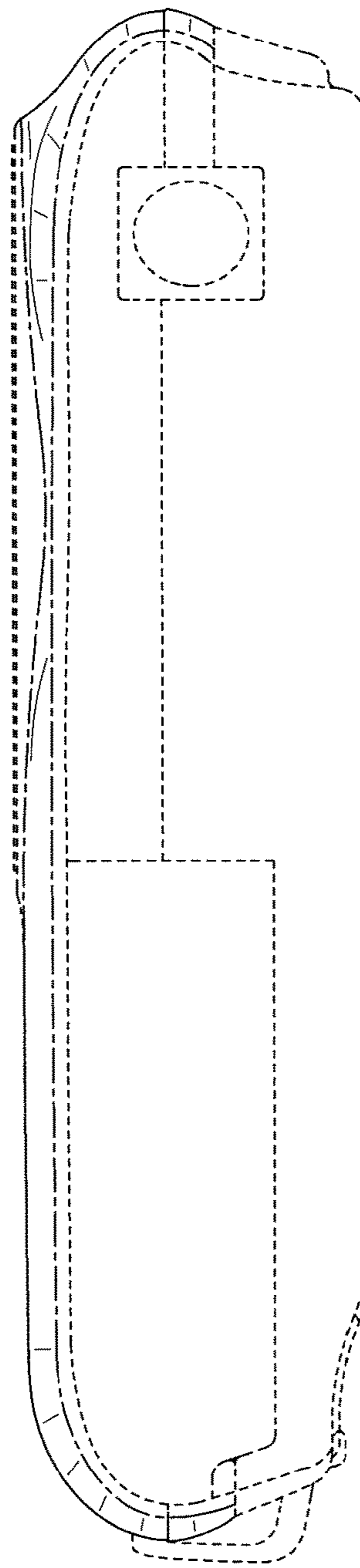


Fig. 6

Fig. 8

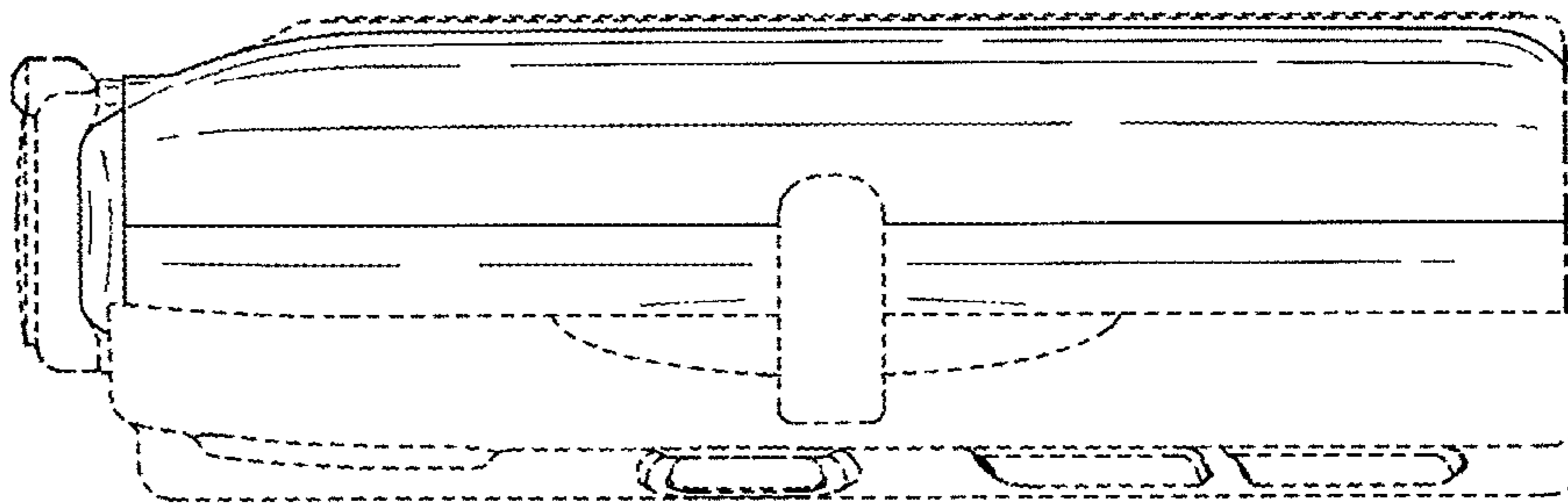


Fig. 7

