

US00D662961S

(12) **United States Design Patent**  
**Muraki**

(10) **Patent No.:** **US D662,961 S**  
(45) **Date of Patent:** **\*\* Jul. 3, 2012**

(54) **DIGITAL CAMERA**

D631,499 S \* 1/2011 Meguro ..... D16/219  
D640,300 S \* 6/2011 Sato et al. .... D16/202  
D652,067 S \* 1/2012 Katsuraku et al. .... D16/219

(75) Inventor: **Shinjiro Muraki**, Tokyo (JP)

(73) Assignee: **Nikon Corporation** (JP)

(\*\*) Term: **14 Years**

(21) Appl. No.: **29/398,568**

(22) Filed: **Aug. 2, 2011**

(30) **Foreign Application Priority Data**

Feb. 7, 2011 (JP) ..... 2011-002533

(51) **LOC (9) Cl.** ..... **16-05**

(52) **U.S. Cl.** ..... **D16/219**

(58) **Field of Classification Search** ..... D16/200-204,  
D16/208, 218, 219; 348/373-376; 358/909.1;  
396/535-541

See application file for complete search history.

(56) **References Cited**

**U.S. PATENT DOCUMENTS**

D556,230 S \* 11/2007 Hanafusa et al. .... D16/202  
D557,311 S \* 12/2007 Hanafusa et al. .... D16/219  
D574,030 S \* 7/2008 Nakajima ..... D16/219

**OTHER PUBLICATIONS**

“Dealerscope Issue 9”, Publication Date: Sep. 2007, p. 114, Date of Acceptance by the JPO: Oct. 1, 2007 (JPO Reference No. HB19011724).

\* cited by examiner

*Primary Examiner* — Adir Aronovich

(74) *Attorney, Agent, or Firm* — Caesar, Rivise, Bernstein, Cohen & Pokotilow, Ltd.

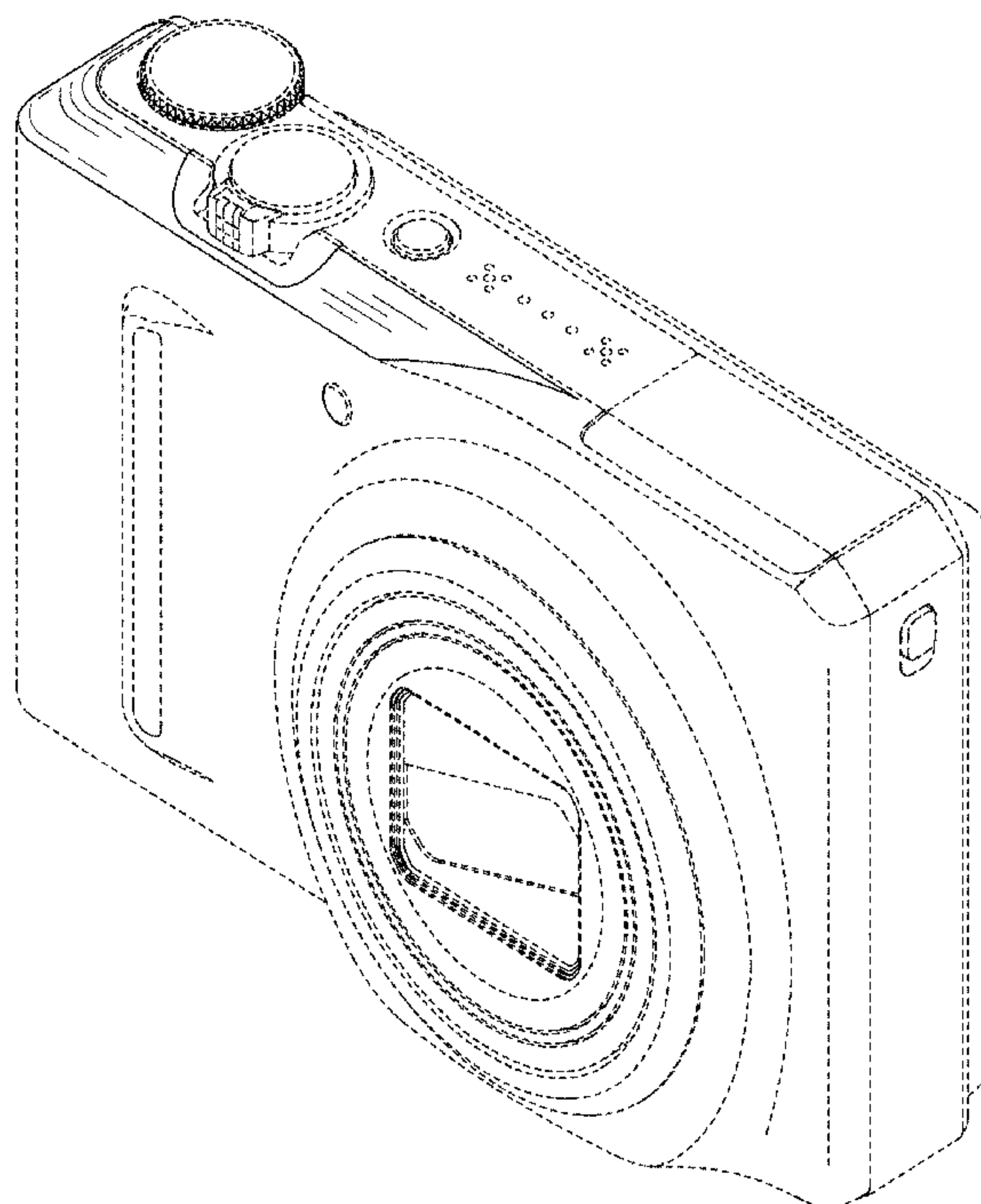
(57) **CLAIM**

The ornamental design for a digital camera, as shown and described.

**DESCRIPTION**

FIG. 1 is a top, front and right side perspective view of a digital camera showing my new design; FIG. 2 is a front elevational view thereof; FIG. 3 is a top plan view thereof; and, FIG. 4 is left side elevational view thereof. The features shown in broken lines in the drawings depict environmental subject matter only and form no part of the claimed design.

**1 Claim, 4 Drawing Sheets**



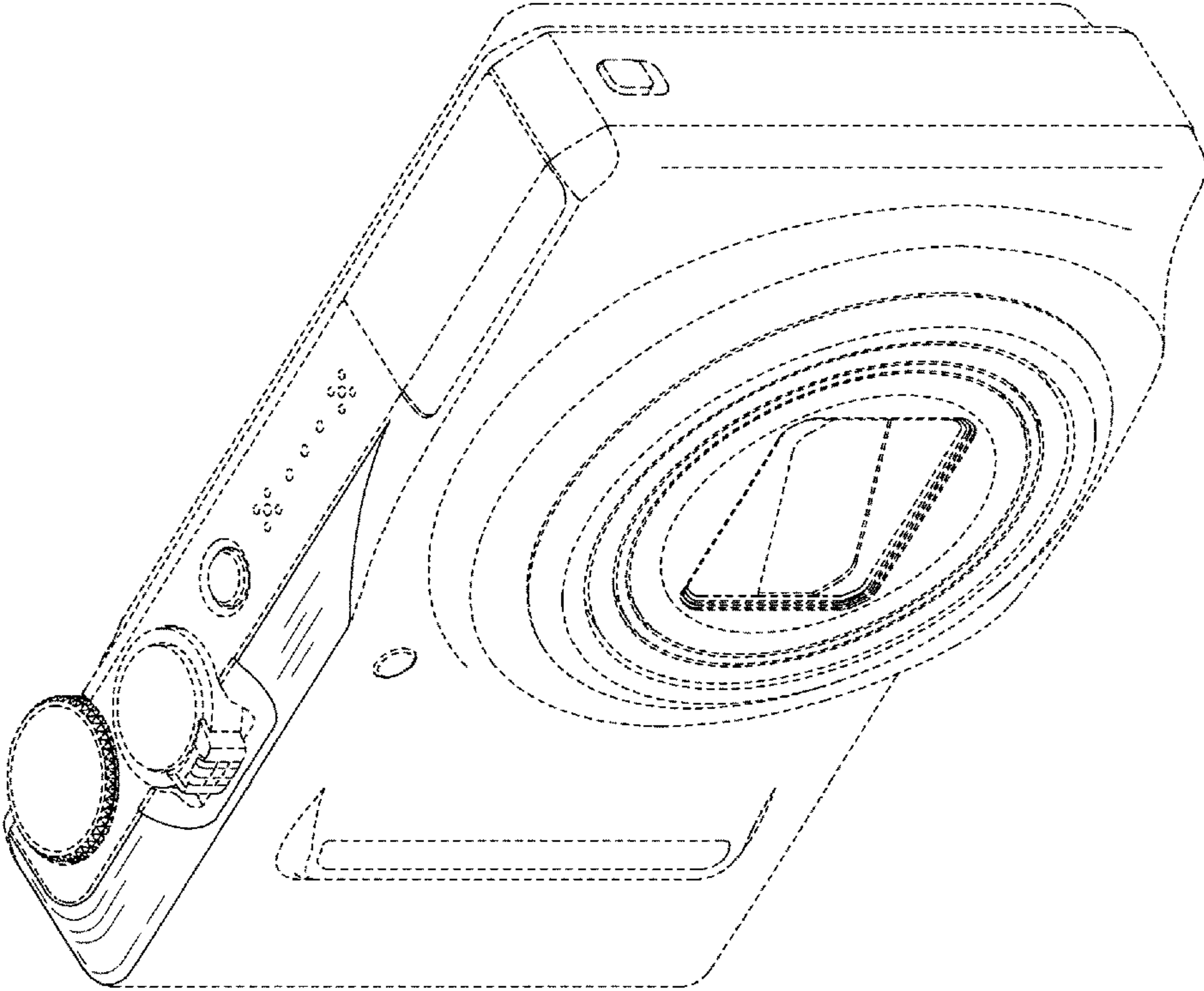


Fig. 1

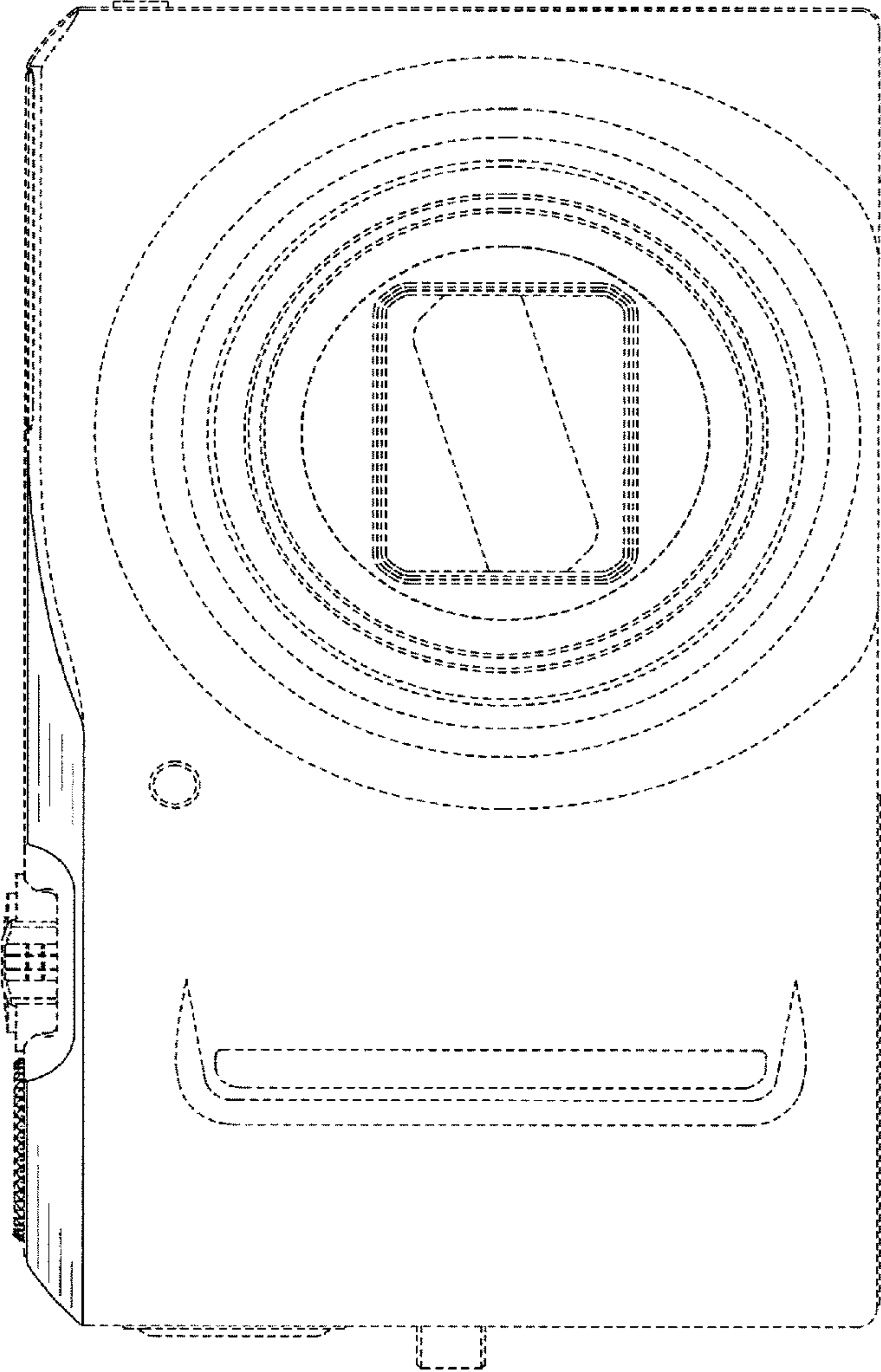


Fig. 2

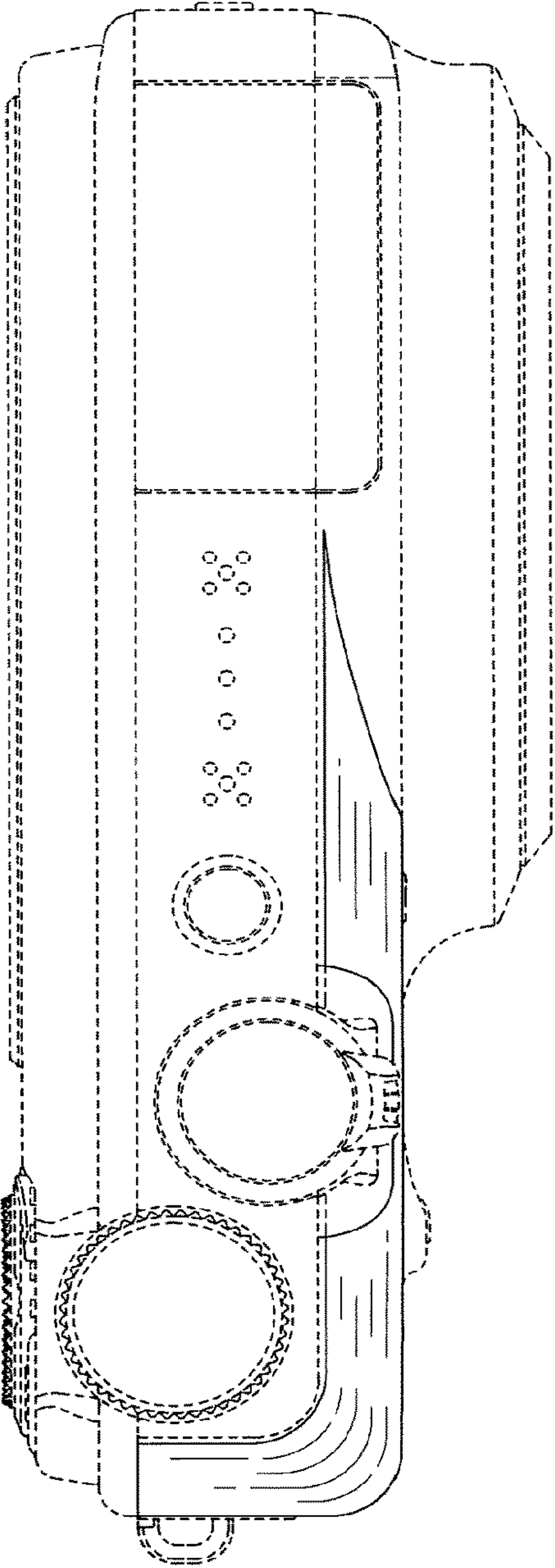


Fig. 3

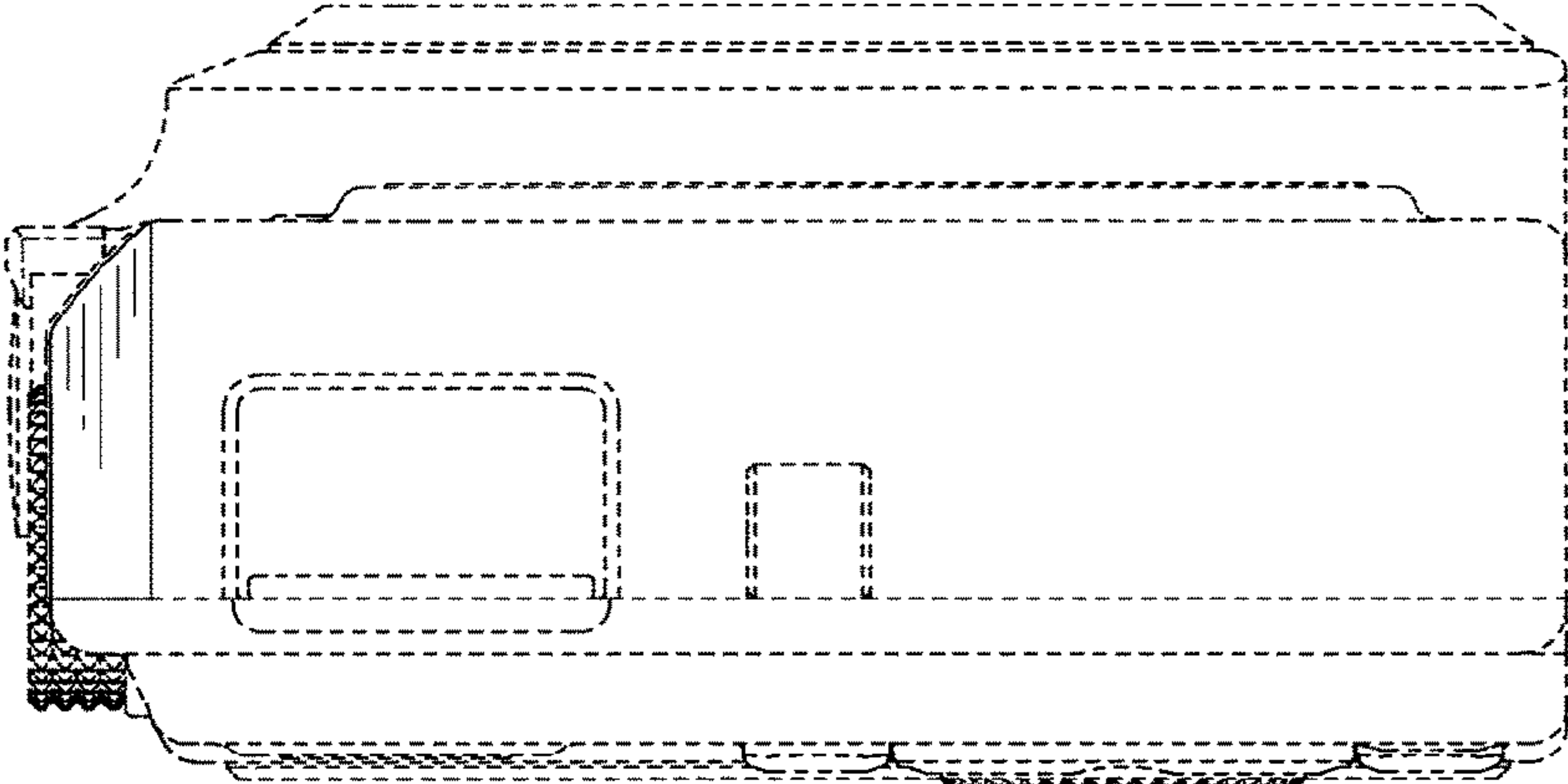


Fig. 4