



US00D662960S

(12) **United States Design Patent**  
**Krieter**

(10) **Patent No.:** **US D662,960 S**

(45) **Date of Patent:** **\*\* Jul. 3, 2012**

(54) **WIRELESS SECURITY CAMERA**

(76) Inventor: **Marcus Krieter**, Newport Beach, CA  
(US)

(\*\*) Term: **14 Years**

(21) Appl. No.: **29/345,088**

(22) Filed: **Oct. 9, 2009**

(51) **LOC (9) Cl.** ..... **16-01**

(52) **U.S. Cl.** ..... **D16/203; D16/242**

(58) **Field of Classification Search** ..... D16/200–204,  
D16/208, 218, 242; 348/143, 373–376; 358/909.1;  
396/427, 535–541

See application file for complete search history.

(56) **References Cited**

**U.S. PATENT DOCUMENTS**

D296,551	S *	7/1988	Mizogui	.....	D16/202
6,415,106	B2 *	7/2002	Hayashi et al.	.....	358/909.1
D472,258	S *	3/2003	Yin et al.	.....	D16/202
D527,403	S *	8/2006	Byun et al.	.....	D16/202

7,136,685	B2 *	11/2006	Chiang	.....	348/376
D536,011	S *	1/2007	Dayan	.....	D16/208
D542,820	S *	5/2007	Depay	.....	D16/202
7,253,840	B2 *	8/2007	Kayanuma	.....	348/375

\* cited by examiner

*Primary Examiner* — Adir Aronovich

(74) *Attorney, Agent, or Firm* — Cittance & Lindenbaum  
LLP

(57) **CLAIM**

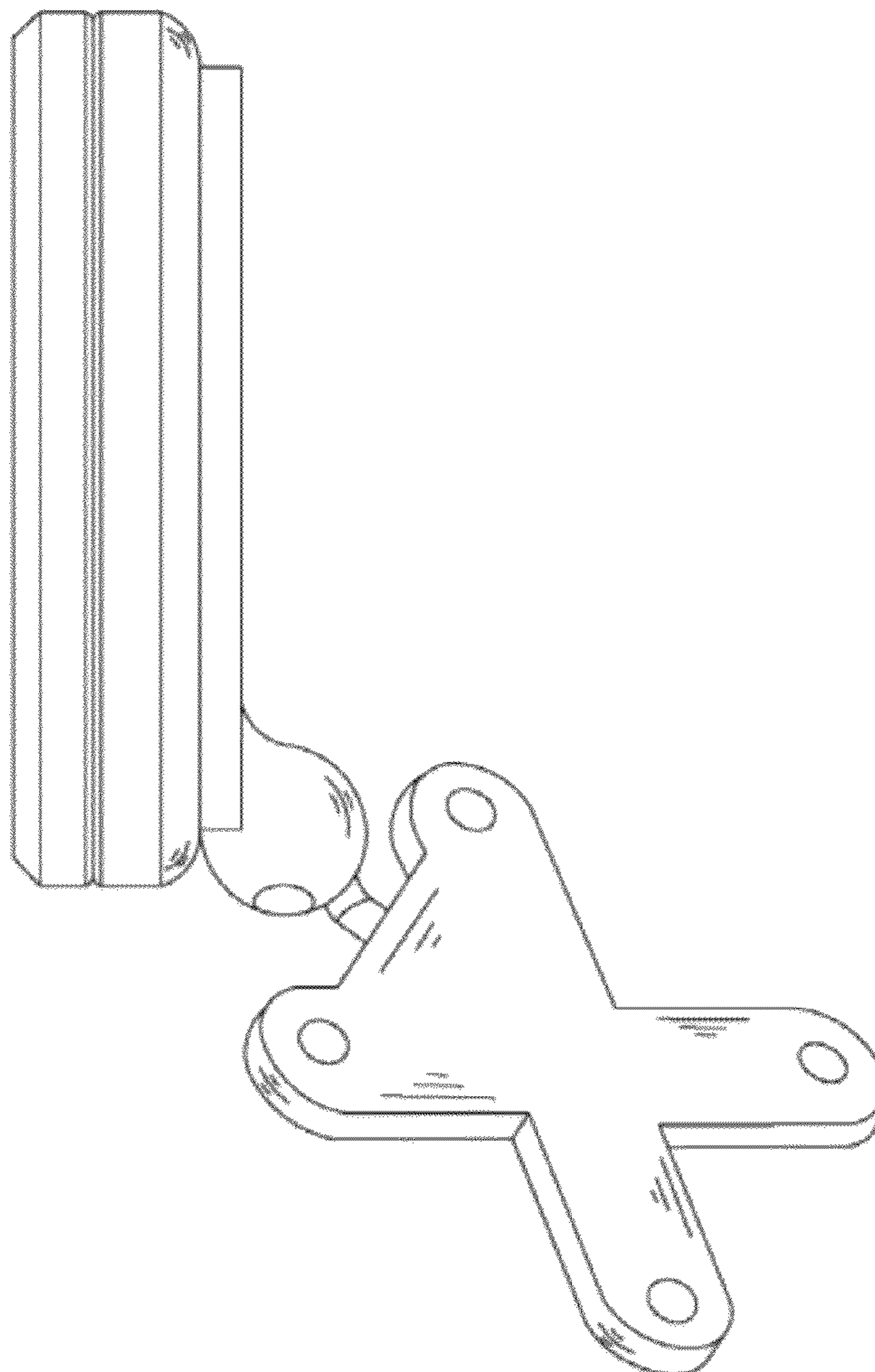
I claim the ornamental design for a wireless security camera,  
as shown and described.

**DESCRIPTION**

FIG. 1 is a side elevational view of a wireless security camera  
with a mounting bracket extended and rotated to an angle  
relative to the camera; and,

FIG. 2 is a side elevational view of a wireless security camera  
with a mounting bracket extended and rotated to a parallel  
position with the camera.

**1 Claim, 2 Drawing Sheets**



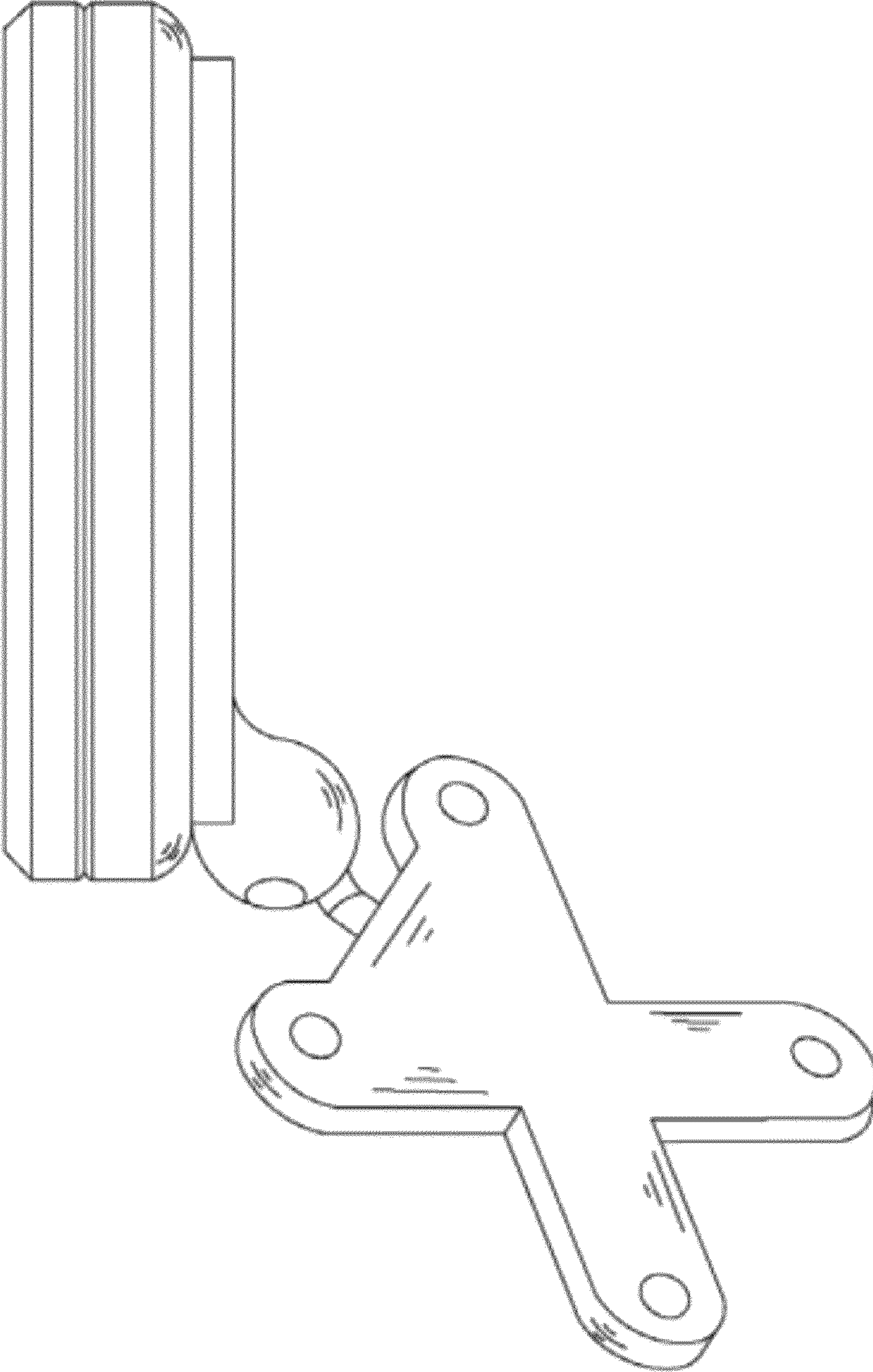
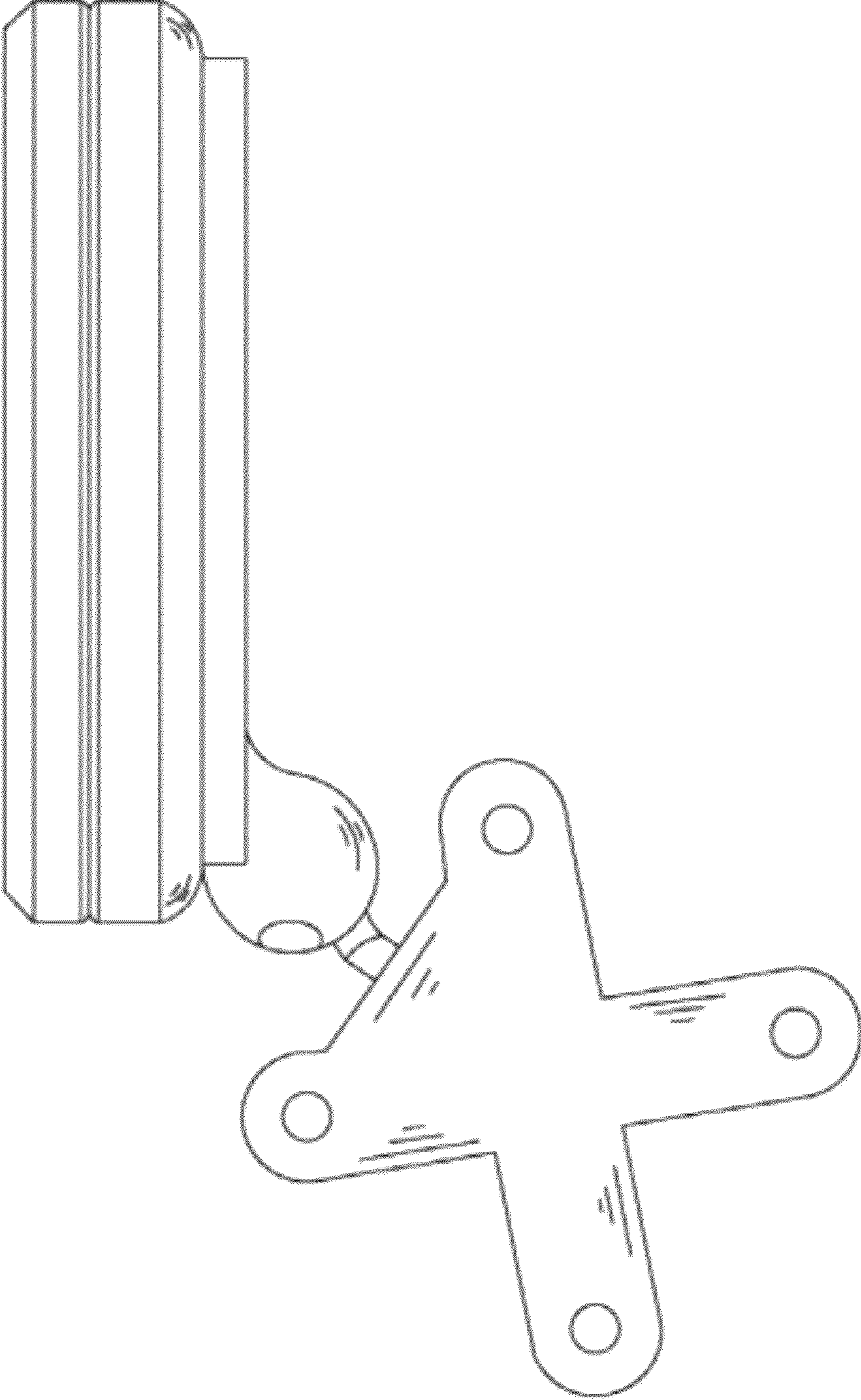


FIG. 1



**FIG. 2**