

US00D662958S

(12) **United States Design Patent**
Fujita

(10) **Patent No.:** **US D662,958 S**

(45) **Date of Patent:** **** Jul. 3, 2012**

(54) **DIGITAL CAMERA**

(75) Inventor: **Chikara Fujita**, Tokyo (JP)

(73) Assignee: **Nikon Corporation** (JP)

(**) Term: **14 Years**

(21) Appl. No.: **29/398,574**

(22) Filed: **Aug. 2, 2011**

(30) **Foreign Application Priority Data**

Feb. 7, 2011 (JP) 2011-002528

(51) **LOC (9) Cl.** **16-01**

(52) **U.S. Cl.** **D16/202**

(58) **Field of Classification Search** D16/200–204,
D16/208, 218, 219; 348/373–376; 358/909.1;
396/535–541

See application file for complete search history.

(56) **References Cited**

U.S. PATENT DOCUMENTS

D597,578 S *	8/2009	Kim et al.	D16/202
7,778,014 B2 *	8/2010	Saiki et al.	361/679.01
D635,604 S *	4/2011	Sul et al.	D16/202
D639,841 S *	6/2011	Sul	D16/202
D647,552 S *	10/2011	Ogasawara et al.	D16/202
D648,765 S *	11/2011	Tsukamoto	D16/202
D654,943 S *	2/2012	Ogasawara et al.	D16/202

* cited by examiner

Primary Examiner — Adir Aronovich

(74) *Attorney, Agent, or Firm* — Caesar, Rivise, Bernstein,
Cohen & Pokotilow, Ltd.

(57) **CLAIM**

The ornamental design for a digital camera, as shown and described.

DESCRIPTION

FIG. 1 is a front, top and right side perspective view of a digital camera showing my new design in which the camera includes a flash;

FIG. 2 is a rear, top and left side perspective view thereof;

FIG. 3 is a front elevational view thereof;

FIG. 4 is a rear elevational view thereof;

FIG. 5 is a top plan view thereof;

FIG. 6 is a bottom plan view thereof;

FIG. 7 is a right side elevational view thereof;

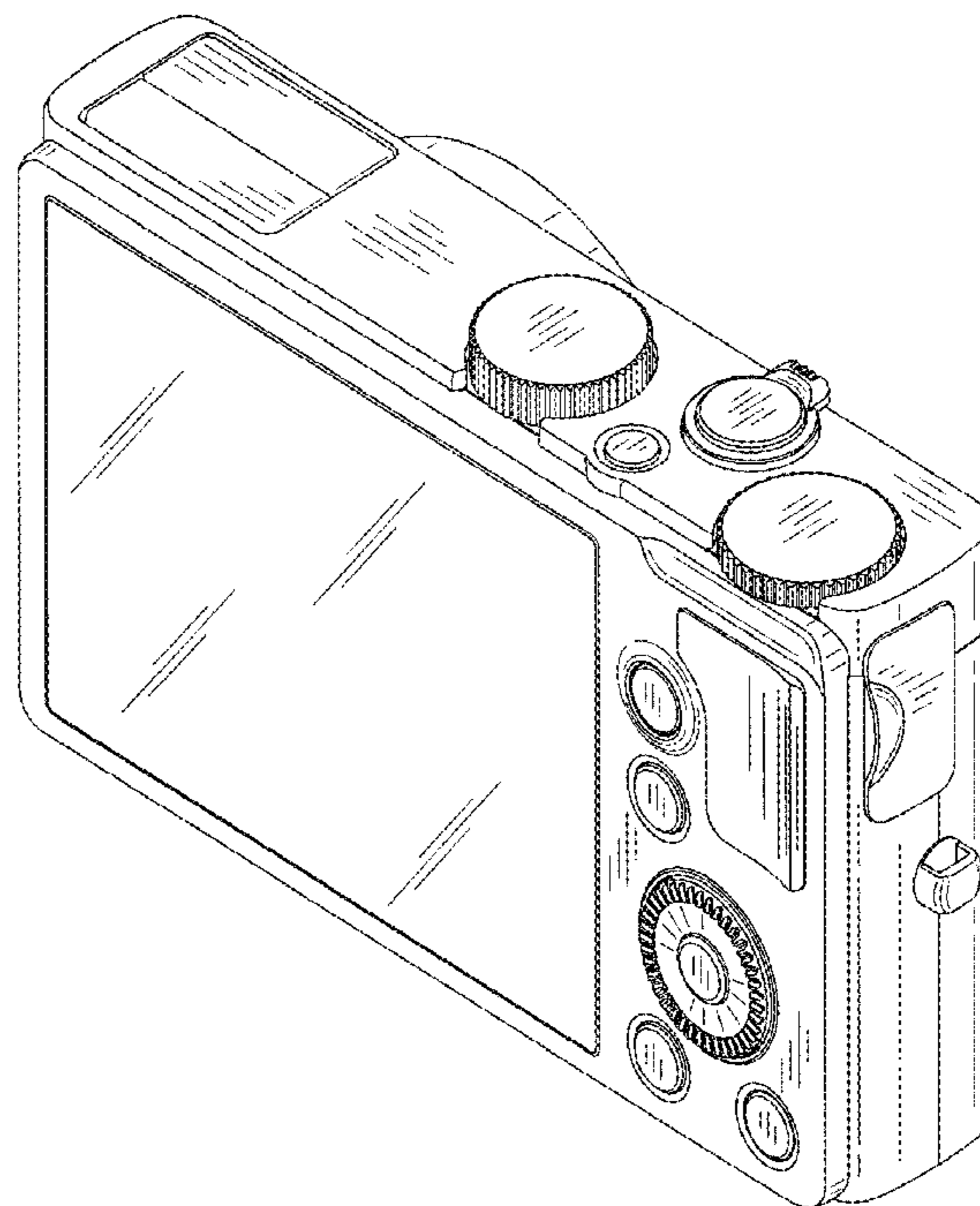
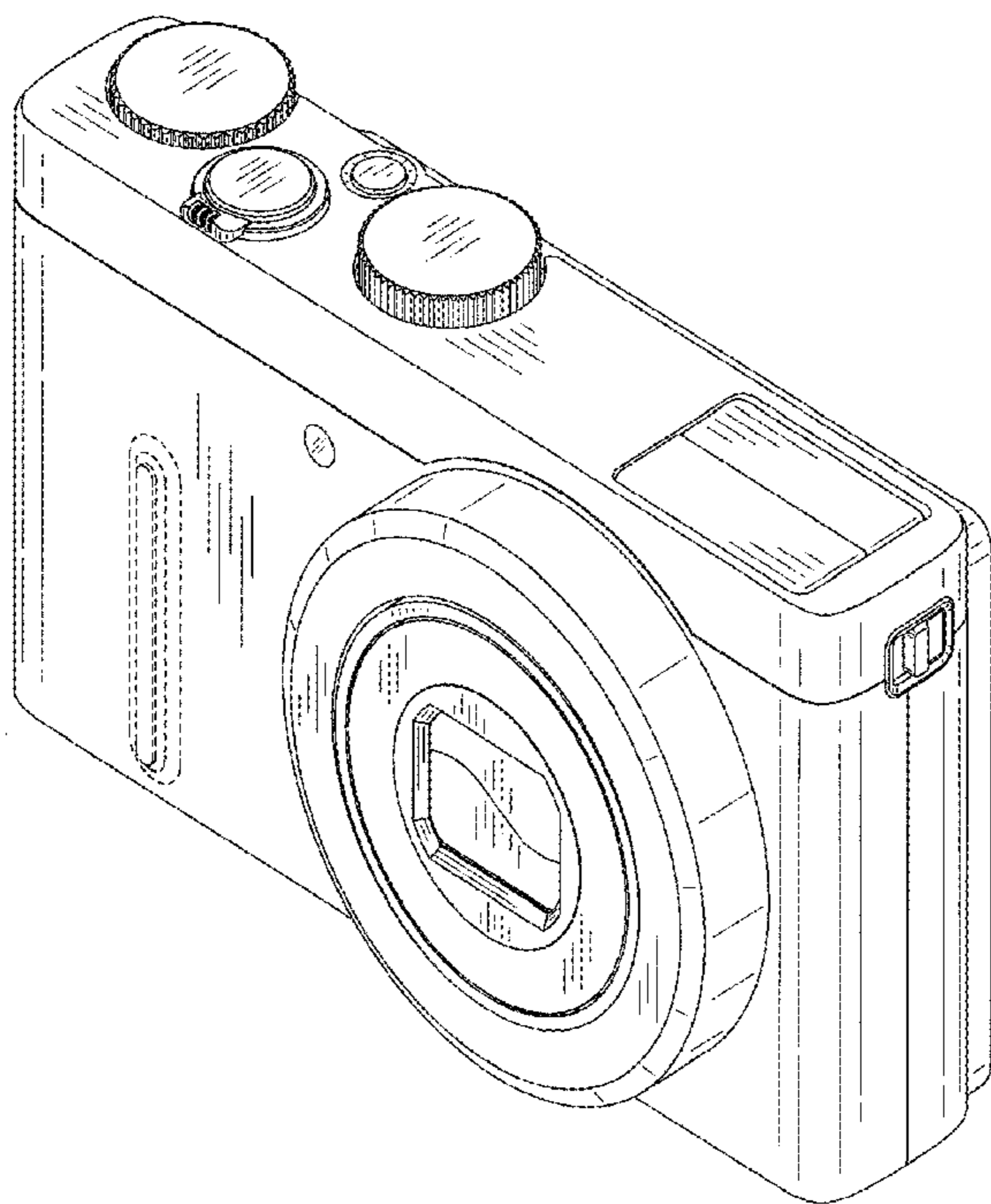
FIG. 8 is a left side elevational view thereof;

FIG. 9 is a front, top and right side perspective view with the flash in the raised position; and,

FIG. 10 is a rear, top and left side perspective view with the flash in the raised position.

The features shown in broken lines in the drawings depict environmental subject matter only and form no part of the claimed design.

1 Claim, 8 Drawing Sheets



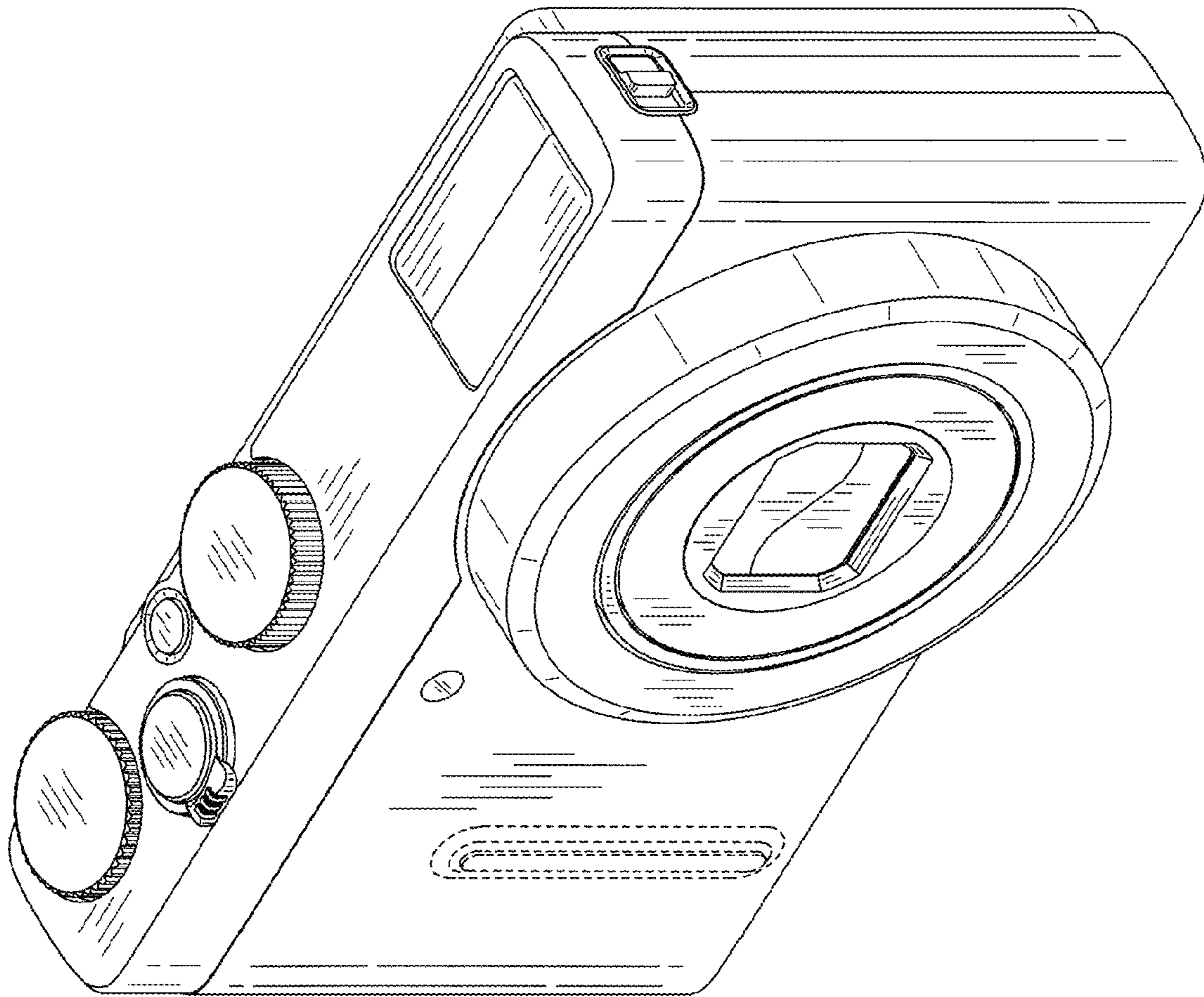


Fig. 1

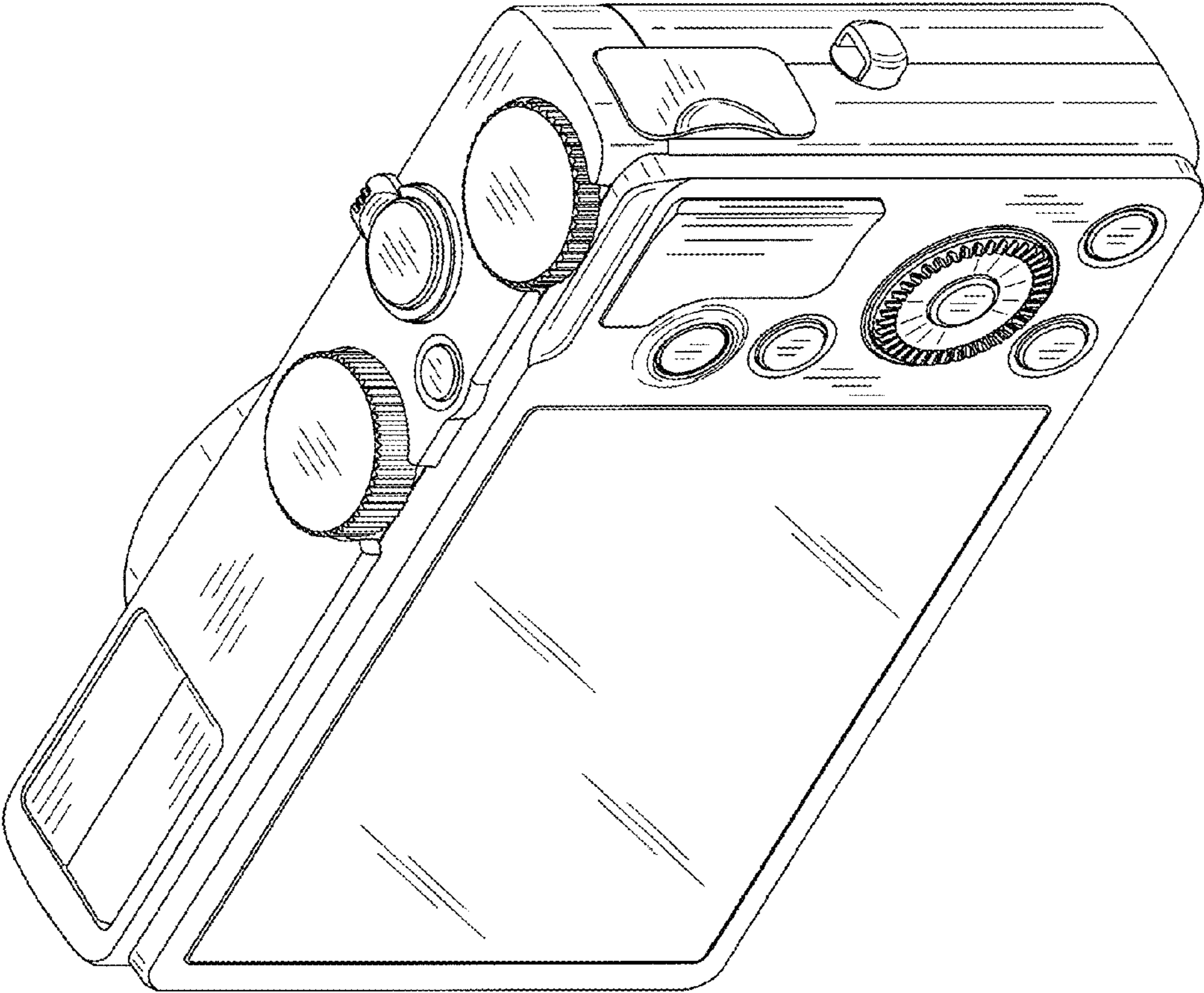


Fig. 2

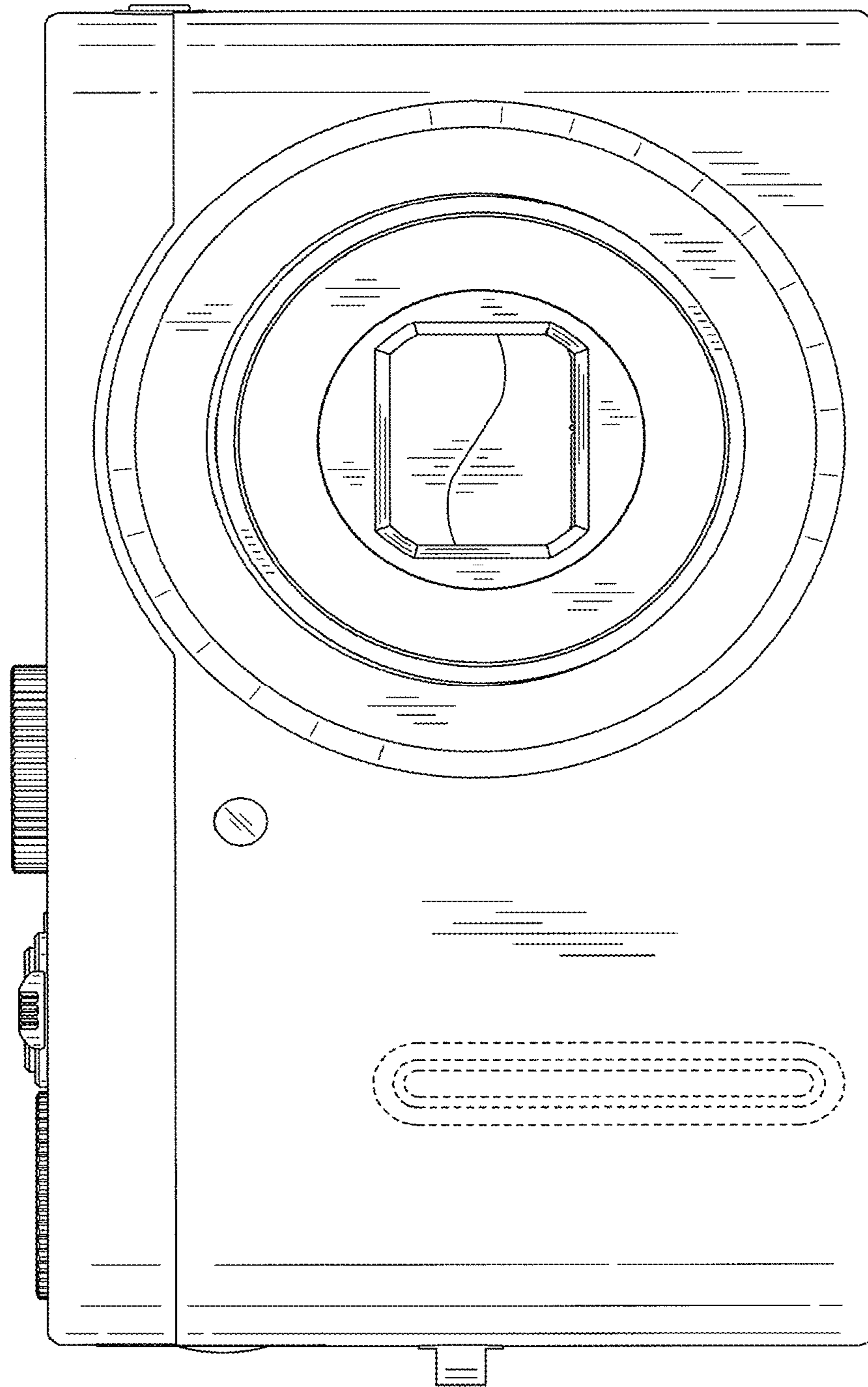


Fig. 3

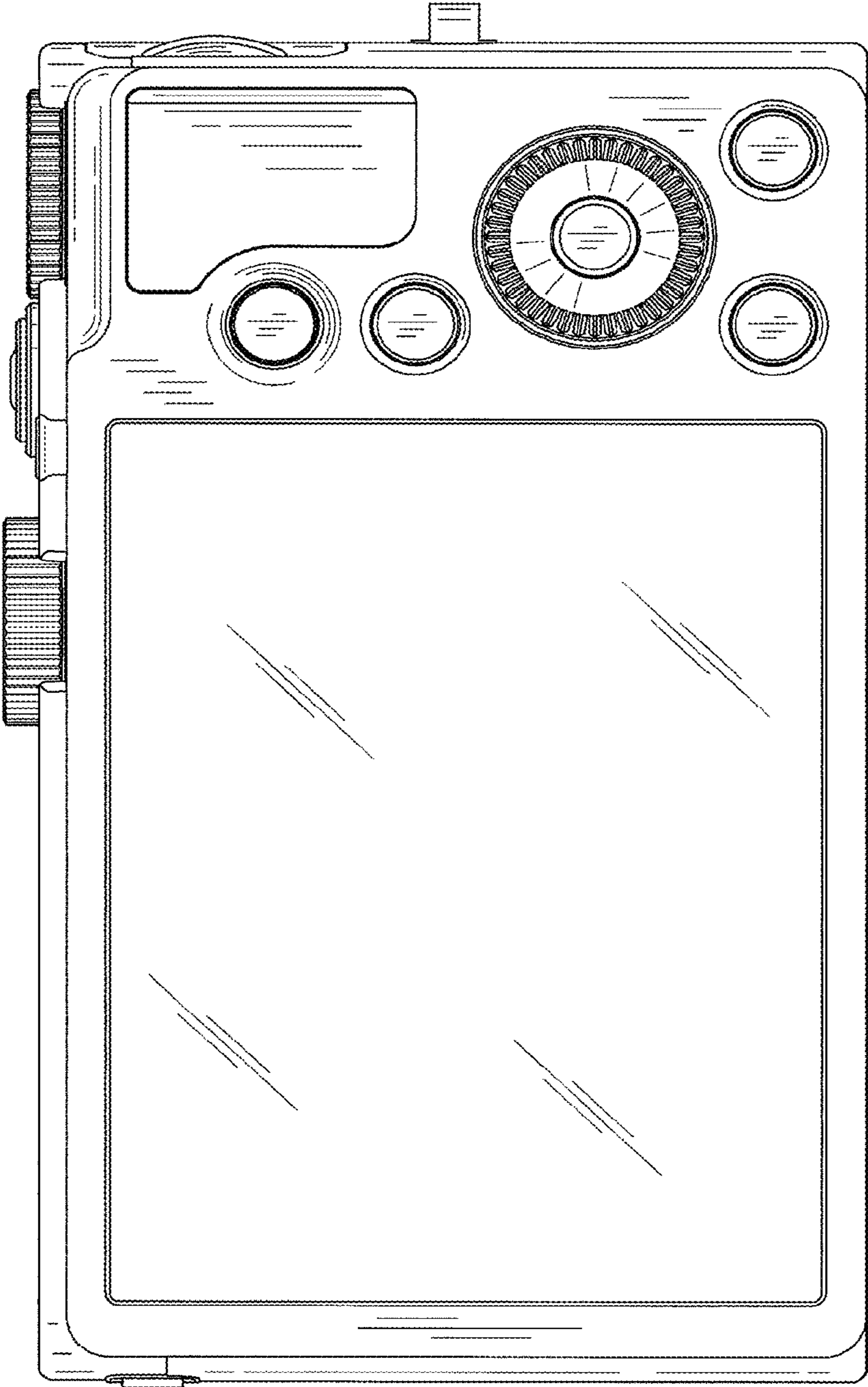


Fig. 4

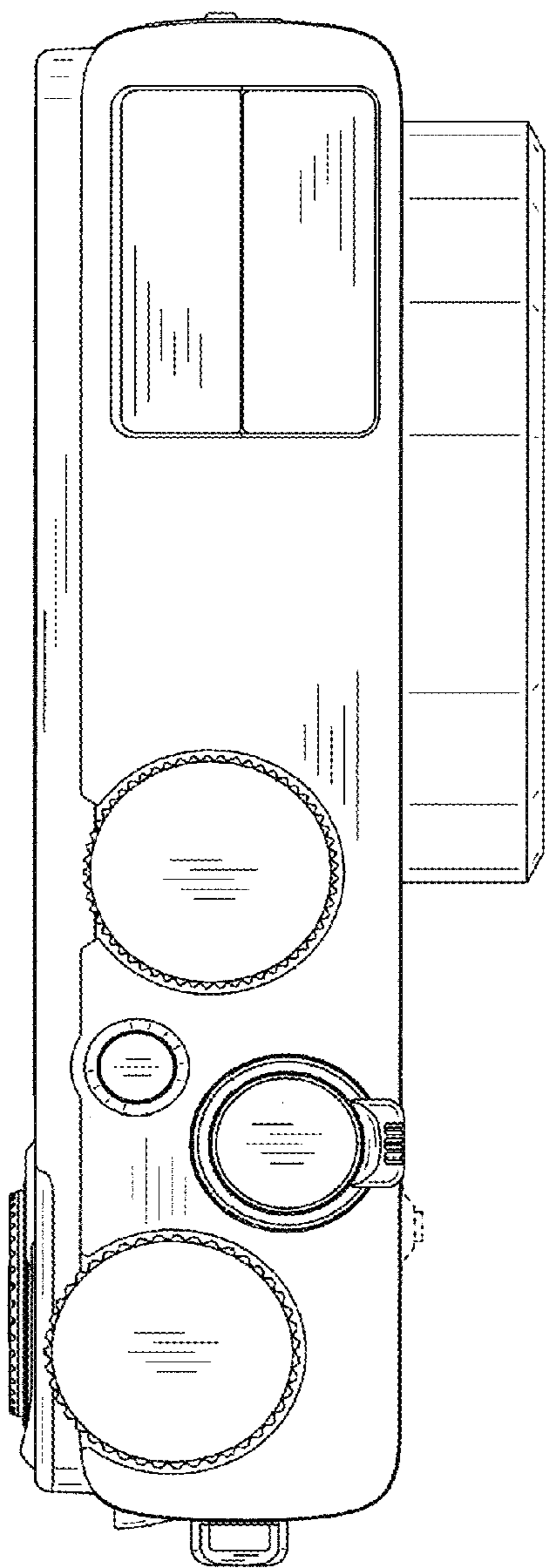


Fig. 5

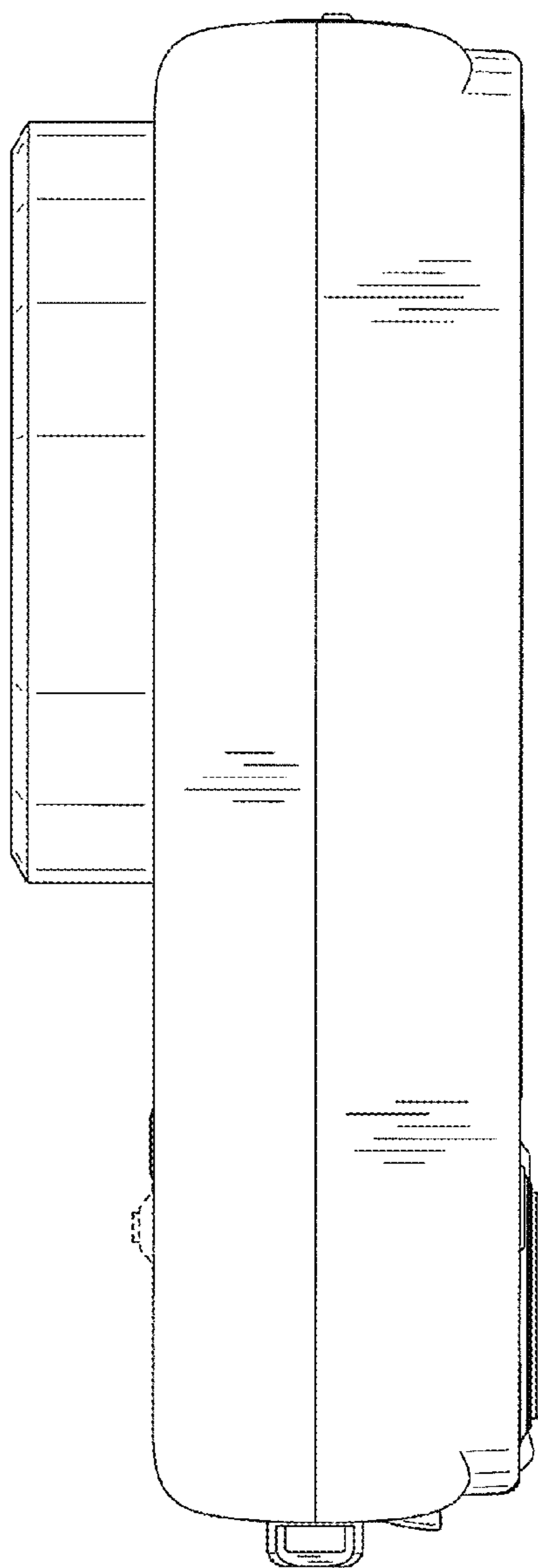


Fig. 6

Fig. 8

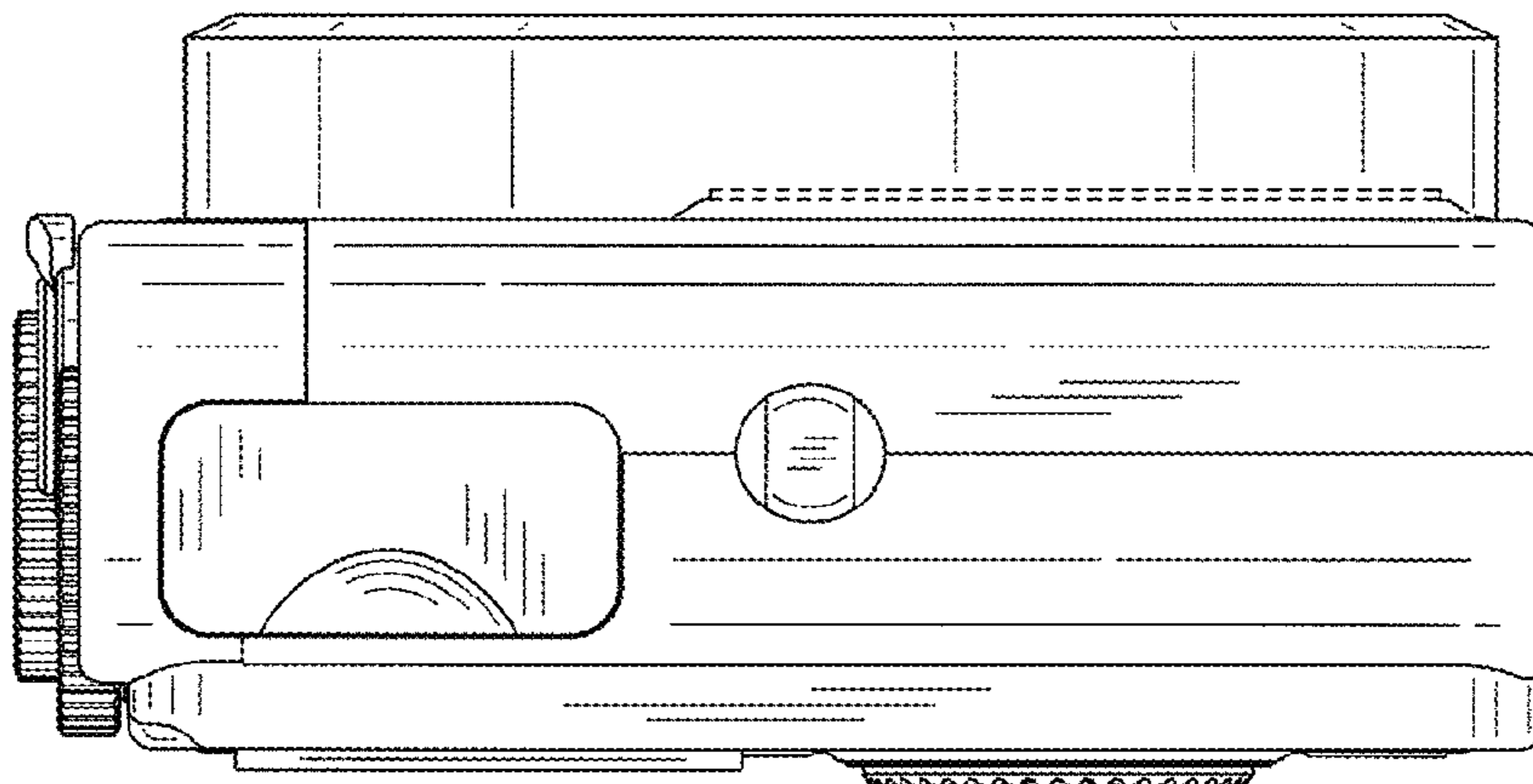
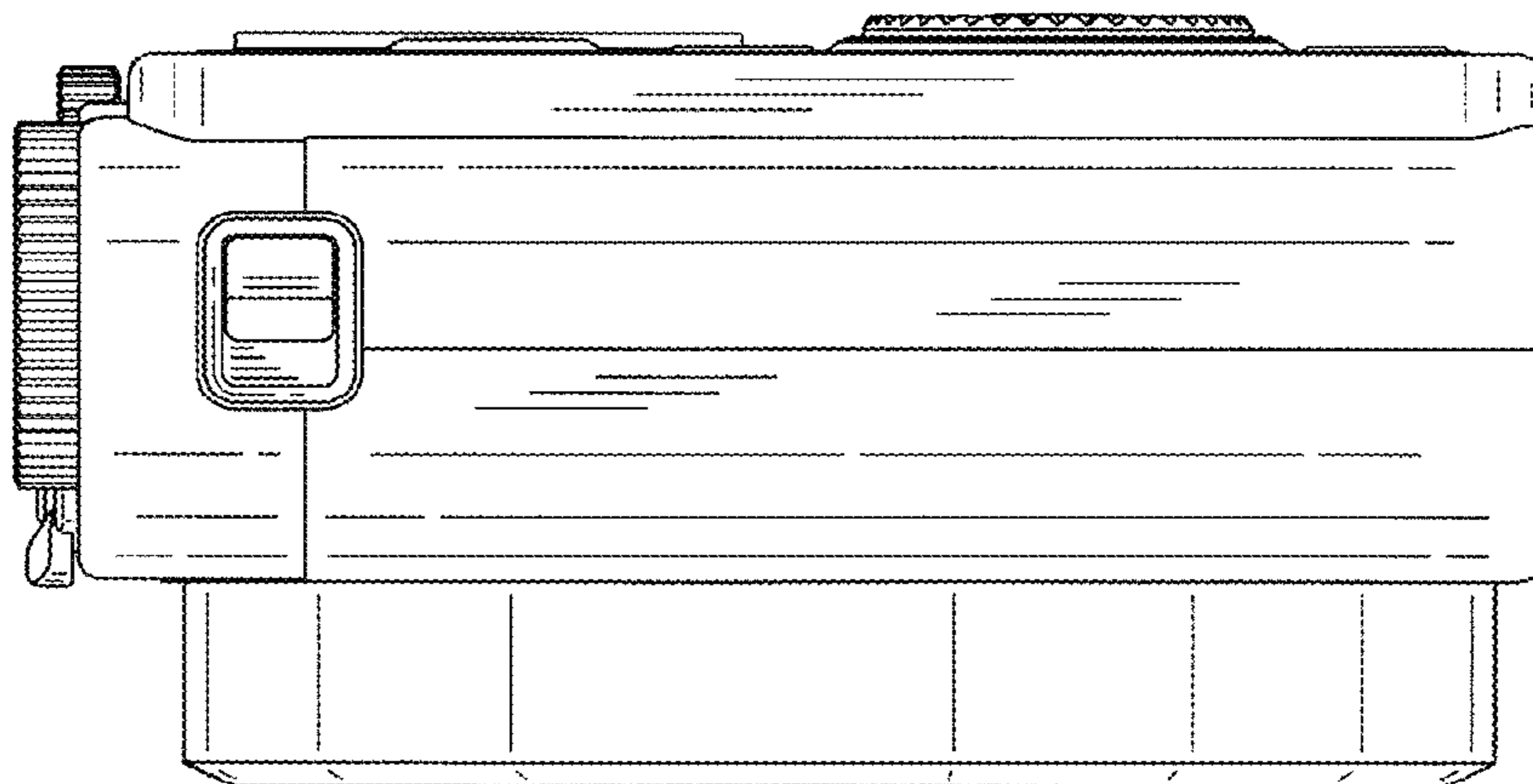


Fig. 7



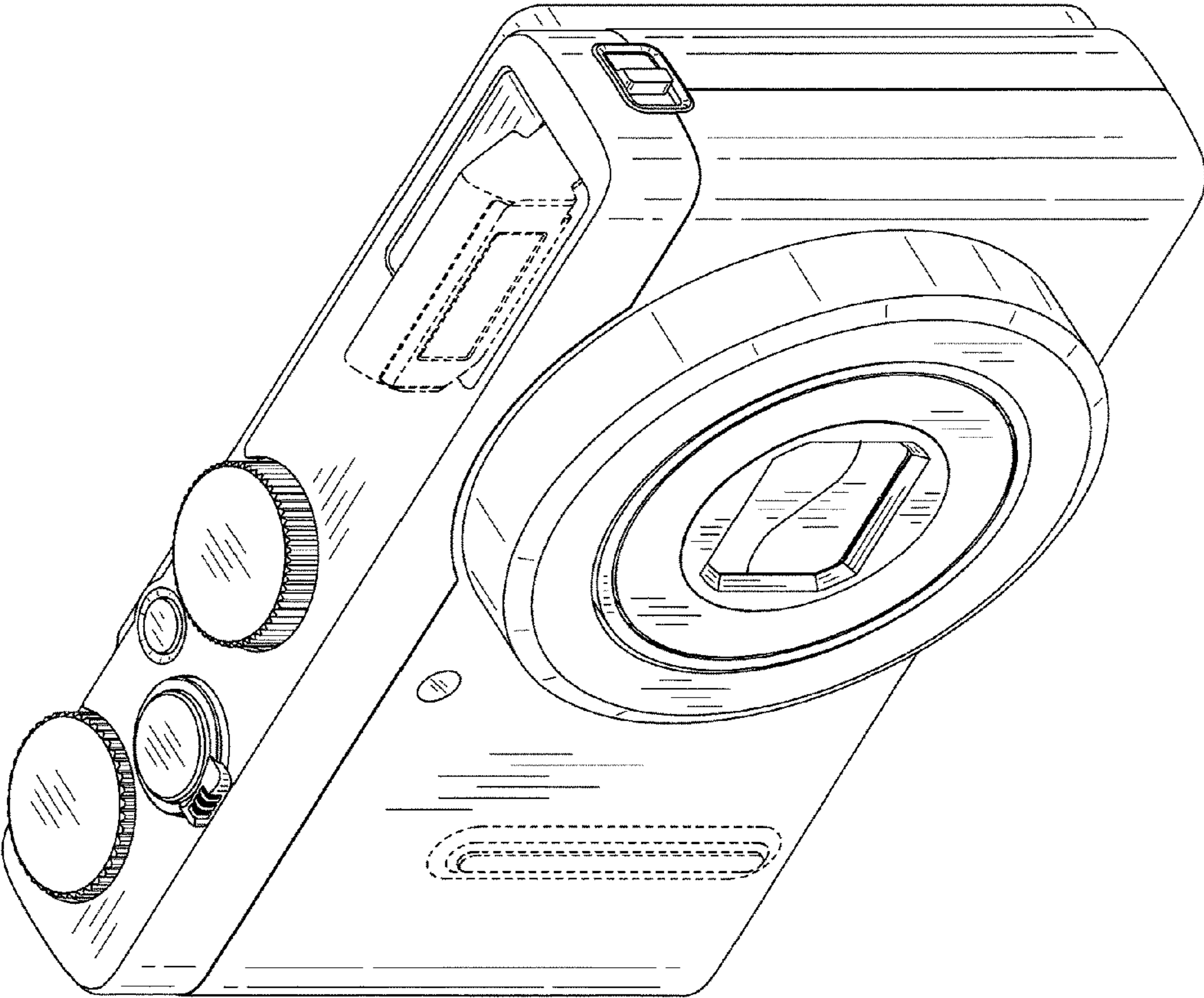


Fig. 9

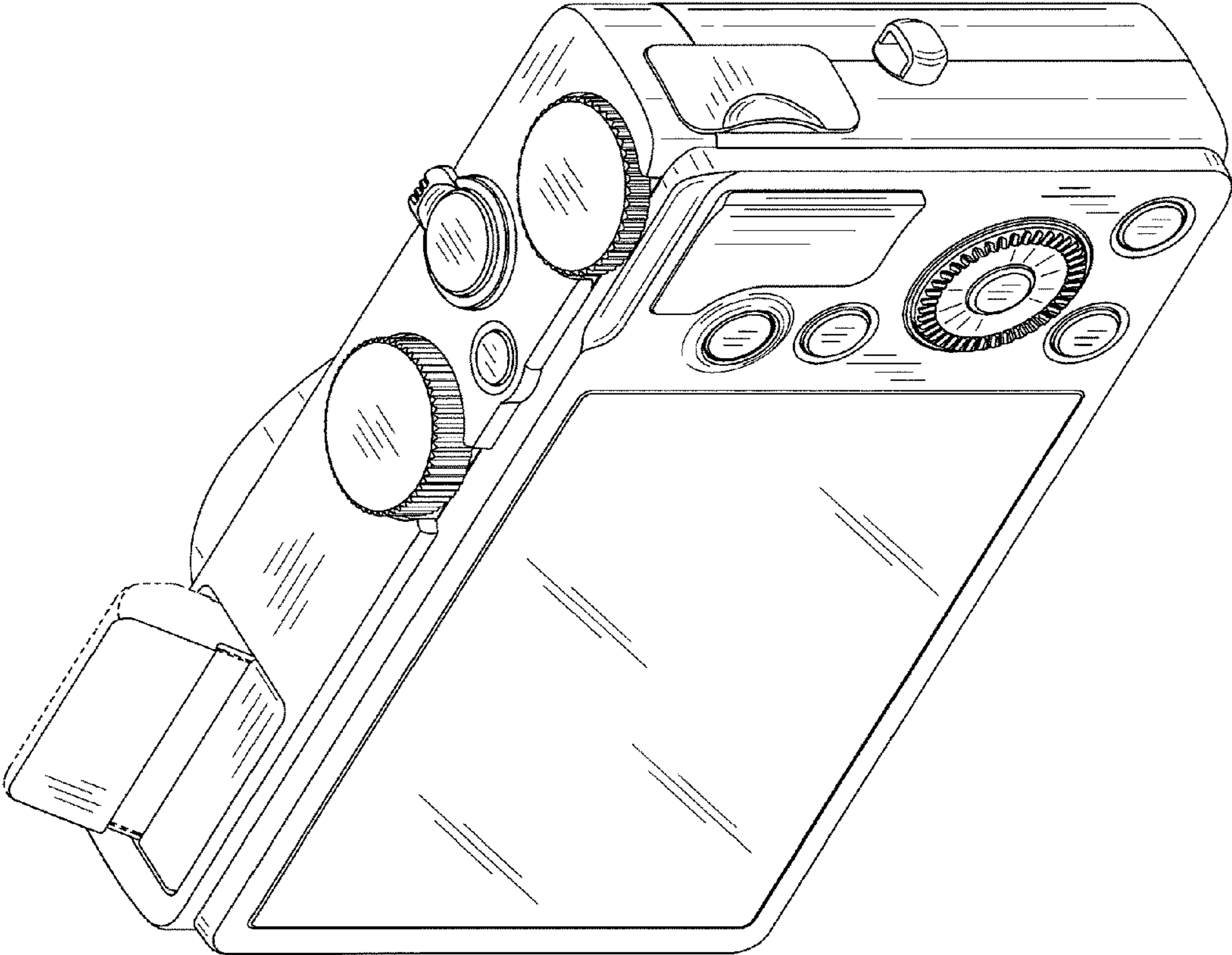


Fig. 10