



US00D662955S

(12) **United States Design Patent**
Daniels et al.

(10) **Patent No.:** **US D662,955 S**
(45) **Date of Patent:** **** Jul. 3, 2012**

(54) **AUTOMATED PHARMACY MACHINE**
(75) Inventors: **Matthew P. Daniels**, Pittsboro, NC (US); **Daryl Oshatz**, Tallahassee, FL (US); **James R. Gentry**, Wake Forest, NC (US); **Jasper Pollard**, Durham, NC (US); **David Newcomb**, Morrisville, NC (US); **Mark Alan Uebel**, Morrisville, NC (US); **George Raymond Abrams, Jr.**, Cary, NC (US); **Michael K. Gottlieb**, Raleigh, NC (US); **David Alan Calderwood**, Chapel Hill, NC (US); **Thomas P. Rhoads, Jr.**, Raleigh, NC (US); **Jesse Samuel Eberdt, III**, Durham, NC (US)

D420,705 S	2/2000	Koyanagi	
D429,765 S	8/2000	Saito et al.	
D466,941 S	12/2002	Shubert et al.	
D481,076 S	10/2003	Ballard	
6,898,919 B2	5/2005	Kim	
D517,438 S	3/2006	Sato et al.	
D559,011 S	1/2008	Mehmen	
D566,736 S	4/2008	Okamoto et al.	
D567,273 S	4/2008	Okamoto et al.	
7,428,805 B2	9/2008	Kim	
D592,704 S	5/2009	Becker et al.	
D613,319 S	4/2010	Okamoto et al.	
D622,746 S *	8/2010	Daniels et al.	D15/145
D623,207 S *	9/2010	Gentry et al.	D15/145
D623,208 S *	9/2010	Parrish et al.	D15/145
D639,322 S *	6/2011	Daniels et al.	D15/145
2005/0122010 A1	6/2005	Kobayashi et al.	
2007/0151204 A1	7/2007	Kim	
2009/0173087 A1	7/2009	Cora et al.	
2009/0235614 A1	9/2009	Yuyama et al.	

(73) Assignee: **Parata Systems, LLC**, Durham, NC (US)

(**) Term: **14 Years**

(21) Appl. No.: **29/366,841**

(22) Filed: **Jul. 30, 2010**

Related U.S. Application Data

(62) Division of application No. 29/351,226, filed on Dec. 2, 2009, now Pat. No. Des. 622,746.

(51) **LOC (9) Cl.** **15-99**

(52) **U.S. Cl.** **D15/145; D20/4**

(58) **Field of Classification Search** D6/436, D6/441, 445, 446, 448, 455, 561; D10/4; D15/145, 199; D20/4, 5; 53/131.4, 167, 53/202, 279, 284.5, 284.7, 370.7, 370.9, 53/381.1, 426, 550, 563, 565; 493/184

See application file for complete search history.

(56) **References Cited**

U.S. PATENT DOCUMENTS

D318,691 S 7/1991 Ryason
5,097,652 A 3/1992 Inamura et al.

* cited by examiner

Primary Examiner — Patrica Palasik

(74) *Attorney, Agent, or Firm* — Myers Bigel Sibley & Sajovec

(57) **CLAIM**

The ornamental design for an automated pharmacy machine, as shown and described.

DESCRIPTION

FIG. 1 is a rear perspective view of an embodiment of an automated pharmacy machine showing our design;

FIG. 2 is a front perspective view of the automated pharmacy machine of FIG. 1;

FIG. 3 is a rear view thereof;

FIG. 4 is a front view thereof;

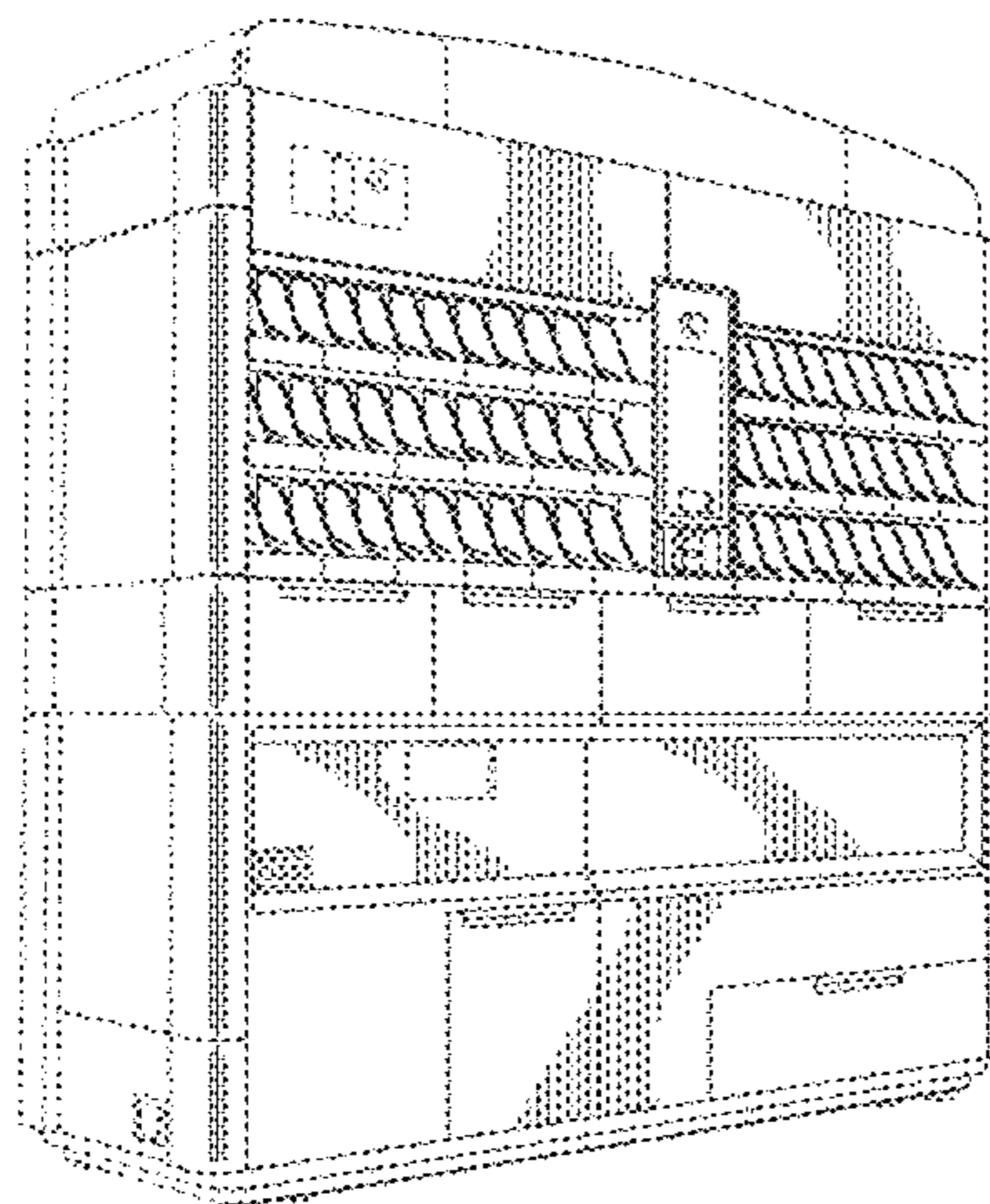
FIG. 5 is a side view thereof;

FIG. 6 is an opposing side view thereof; and,

FIG. 7 is a top view thereof.

The broken lines shown herein are for illustrative purposes only and form no part of the claimed design.

1 Claim, 6 Drawing Sheets



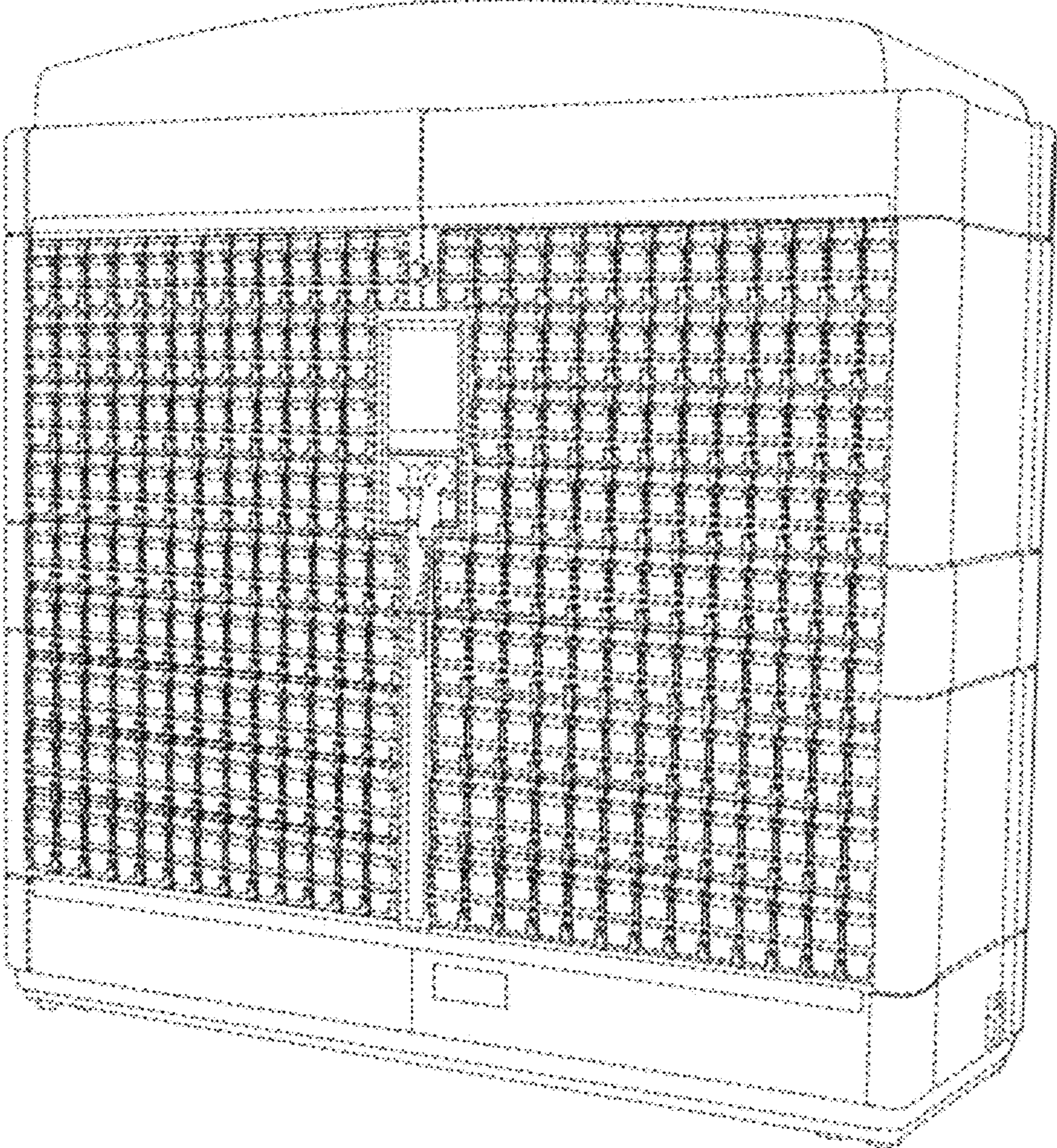


FIG. 1

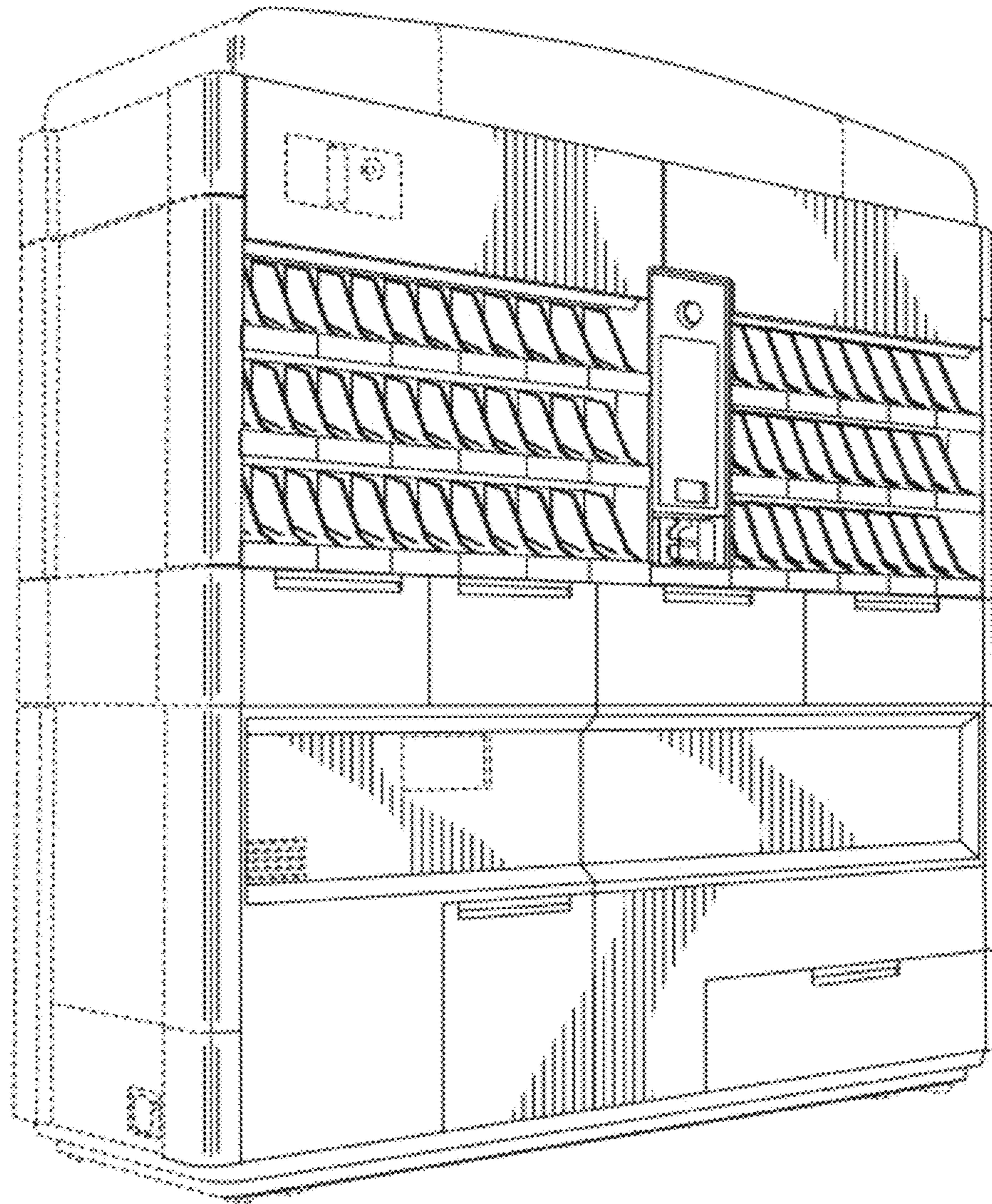


FIG. 2

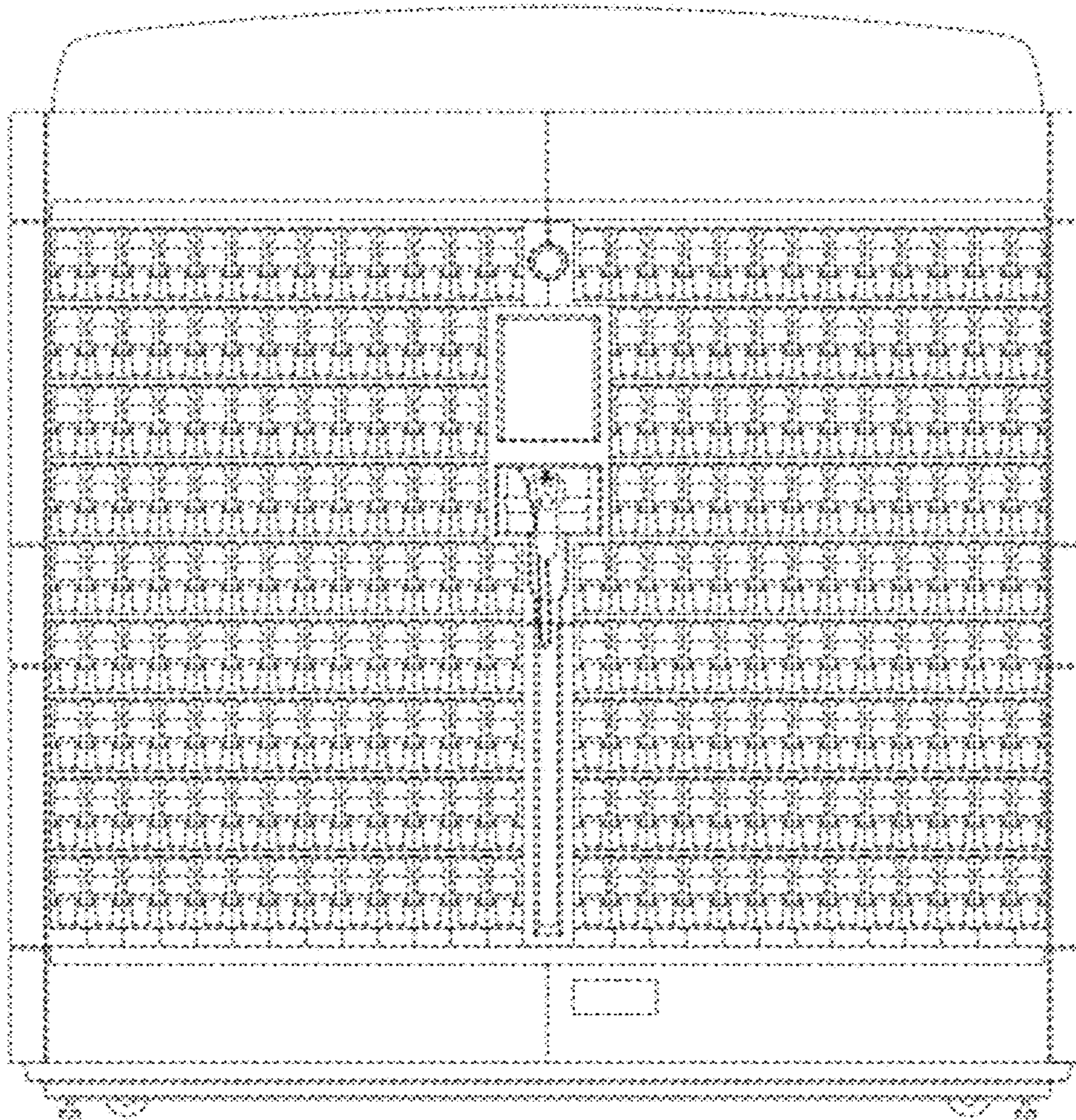


FIG. 3

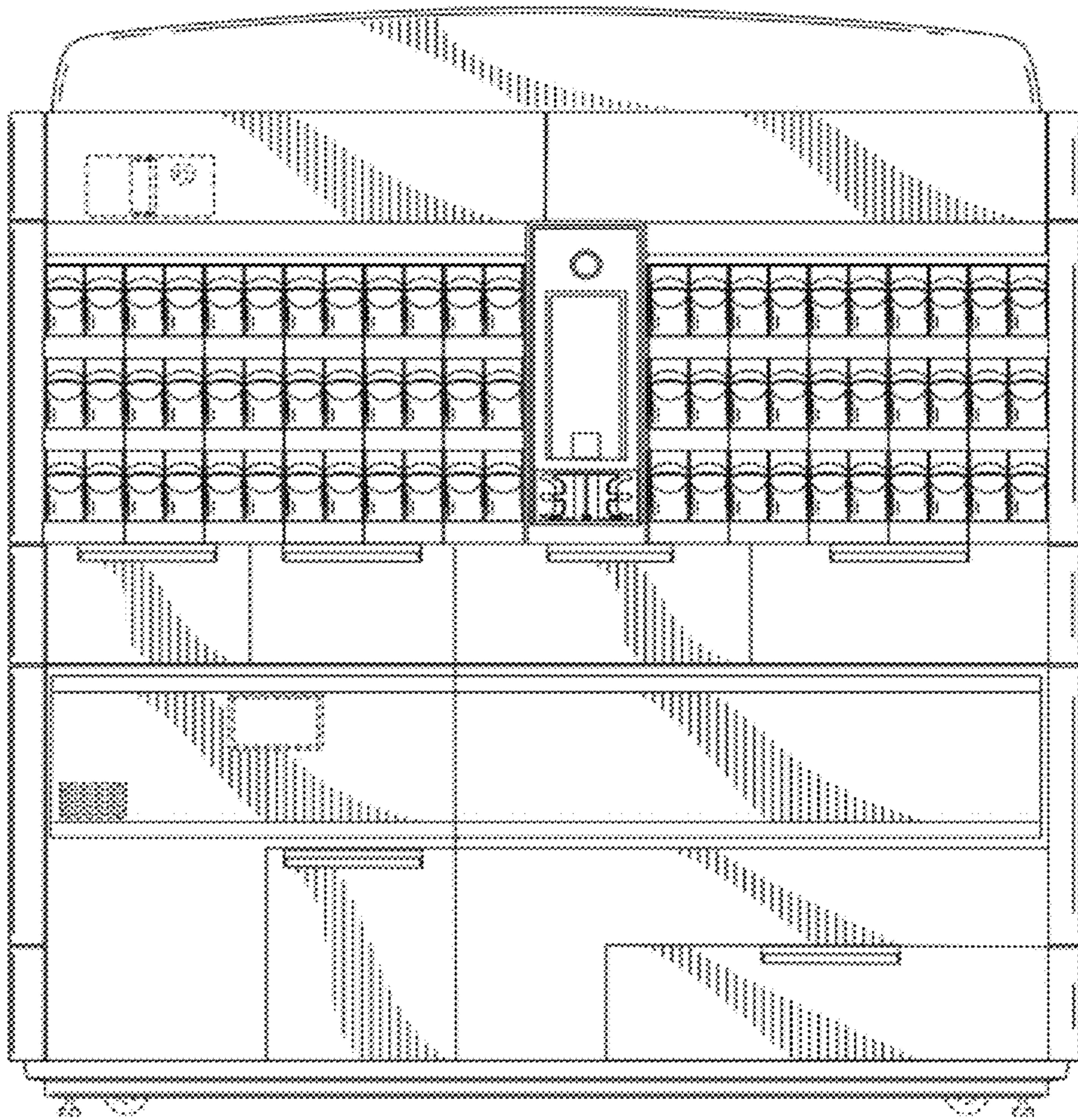


FIG. 4

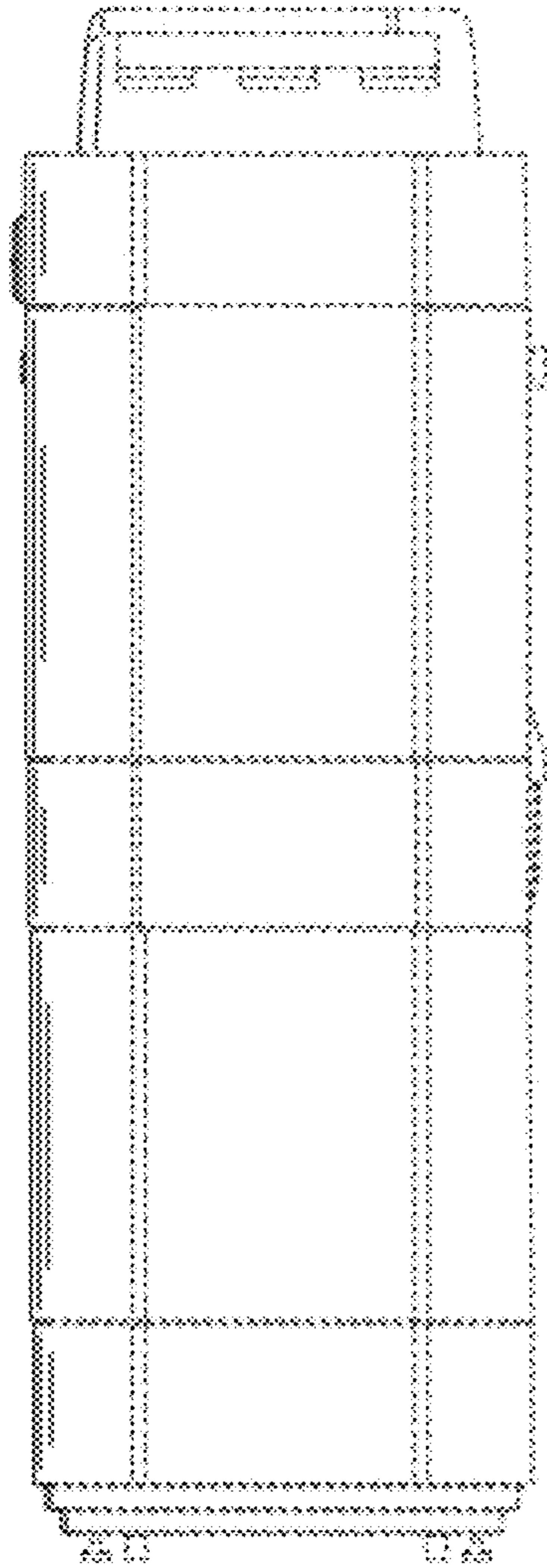


FIG. 5

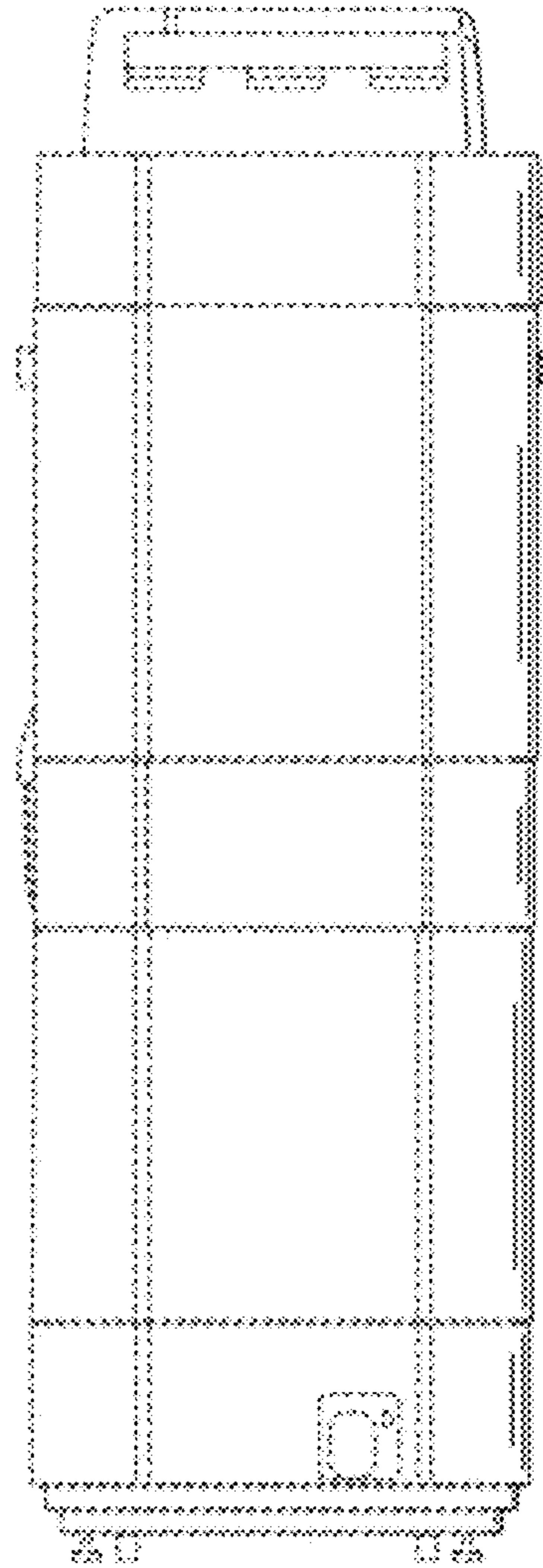


FIG. 6

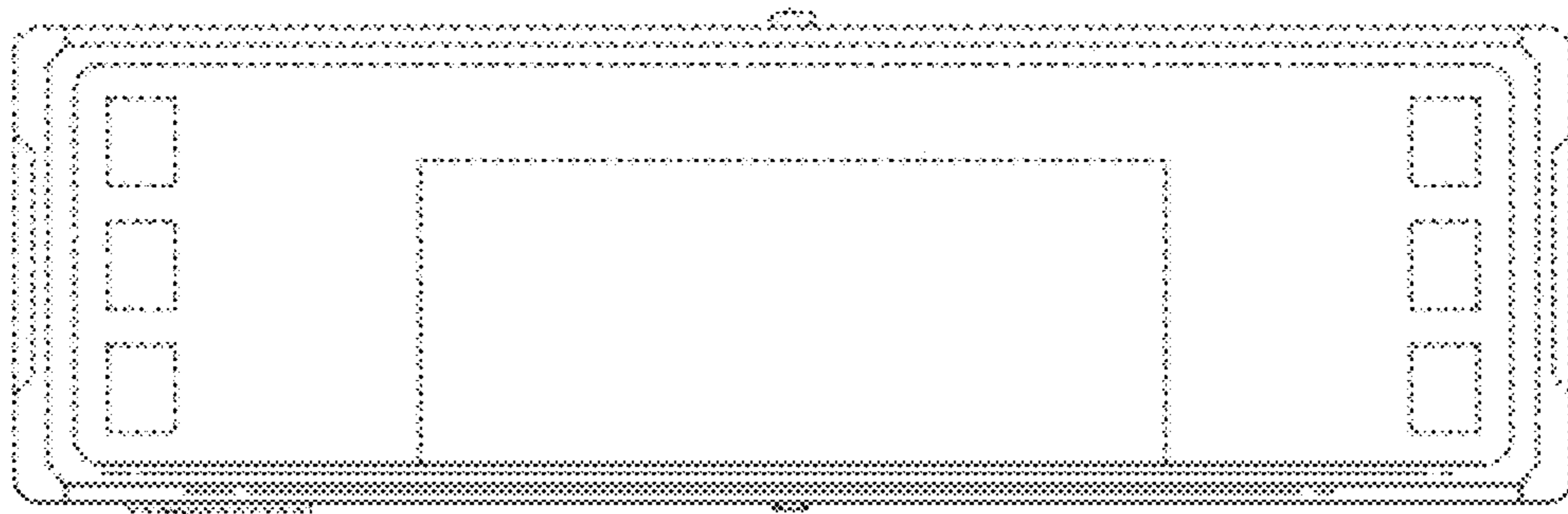


FIG. 7

UNITED STATES PATENT AND TRADEMARK OFFICE
CERTIFICATE OF CORRECTION

PATENT NO. : D662,955 S
APPLICATION NO. : 29/366841
DATED : July 3, 2012
INVENTOR(S) : Daniels et al.

Page 1 of 1

It is certified that error appears in the above-identified patent and that said Letters Patent is hereby corrected as shown below:

On the Title Page

Item (75) Inventor: Please correct "Daryl Oshatz, Tallahassee, FL (US)"
to read -- Daryl Oshatz, Raleigh, NC (US) --

Signed and Sealed this
Twenty-ninth Day of January, 2013

A handwritten signature in black ink that reads "David J. Kappos". The signature is written in a cursive style with a large initial 'D' and 'K'.

David J. Kappos
Director of the United States Patent and Trademark Office