

US00D662951S

(12) **United States Design Patent**
Tinius

(10) **Patent No.:** **US D662,951 S**
(45) **Date of Patent:** **** Jul. 3, 2012**

(54) **BLOWING APPARATUS**

(75) Inventor: **Michael Tinius**, Ulm (DE)

(73) Assignee: **Andreas Stihl AG & Co. KG**,
Waiblinger (DE)

(**) Term: **14 Years**

(21) Appl. No.: **29/400,955**

(22) Filed: **Sep. 2, 2011**

(30) **Foreign Application Priority Data**

Mar. 10, 2011 (EM) 001833377-0002

(51) **LOC (9) Cl.** **15-05**

(52) **U.S. Cl.** **D15/15**

(58) **Field of Classification Search** D15/1,
D15/2, 3, 5, 6, 14, 17, 149; 123/22, 41.34,
123/51 A, 606 R, 52.1, 50 A, 50 B, 54.1,
123/54.2, 54.4, 54.5, 65 R, 195 R, 195 HC,
123/657, 311; D32/15

See application file for complete search history.

(56) **References Cited**

U.S. PATENT DOCUMENTS

D521,528 S * 5/2006 Kamiyo et al. D15/1
D591,767 S * 5/2009 Lee D15/1
D591,916 S * 5/2009 Kosugi et al. D32/15
D638,035 S * 5/2011 Kosugi et al. D15/5

* cited by examiner

Primary Examiner — T. Chase Nelson

Assistant Examiner — Ania Aman

(74) *Attorney, Agent, or Firm* — McGuireWoods LLP

(57) **CLAIM**

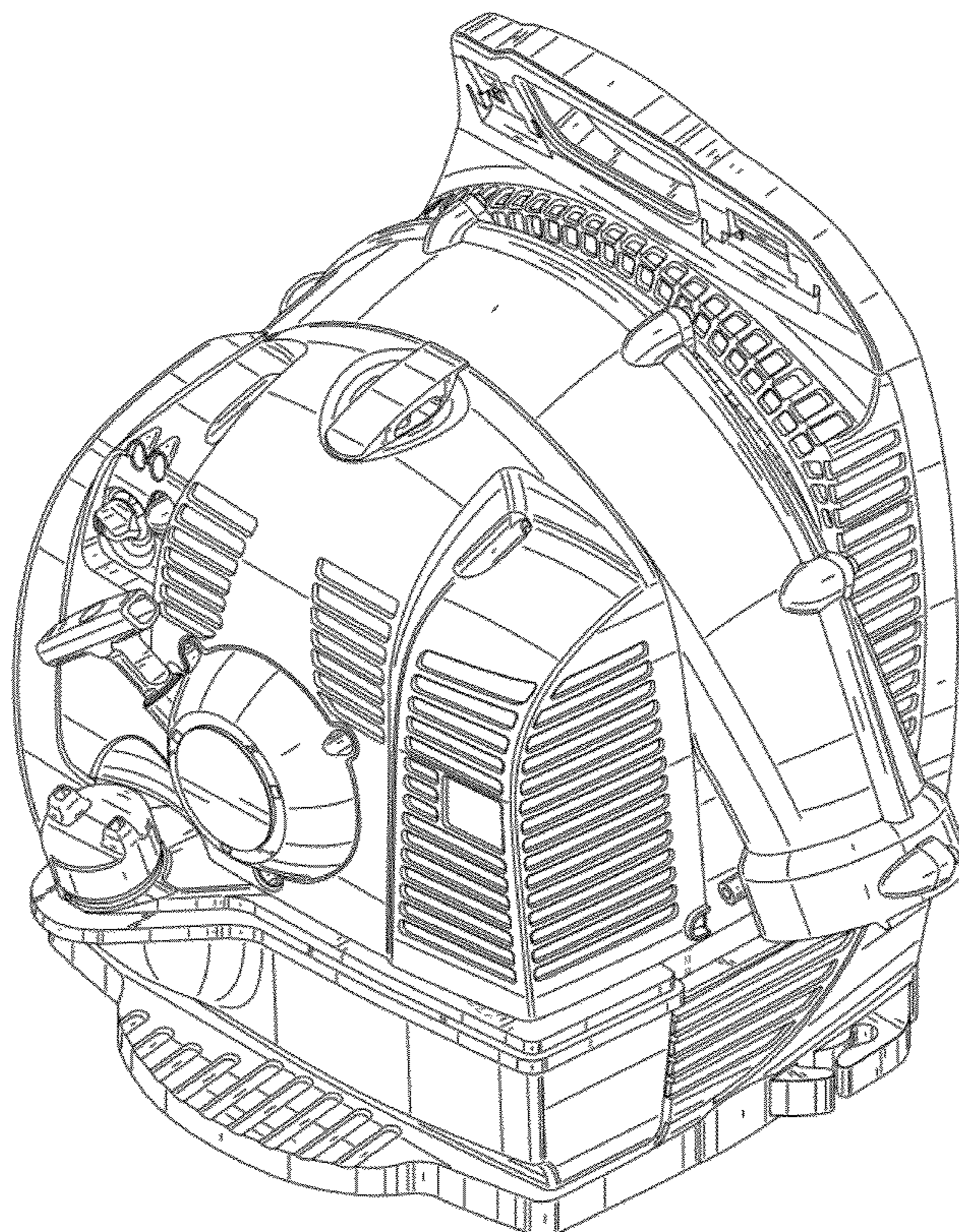
I claim the ornamental design for a blowing apparatus, as shown and described.

DESCRIPTION

FIG. 1 is a rear perspective view of the blowing apparatus; FIG. 2 is a rear view of the blowing apparatus shown in FIG. 1; FIG. 3 is a front view of the blowing apparatus shown in FIG. 1; FIG. 4 is a right side view of the blowing apparatus shown in FIG. 1; FIG. 5 is a left side view of the blowing apparatus shown in FIG. 1; FIG. 6 is a top view of the blowing apparatus shown in FIG. 1; and, FIG. 7 is a bottom view of the blowing apparatus shown in FIG. 1.

The broken lines showings of the blowing apparatus are included for the purpose of illustrating portions of the article and form no part of the claimed design. Any surface of the design not shown, including interior surfaces, also forms no part of the claimed design.

1 Claim, 7 Drawing Sheets



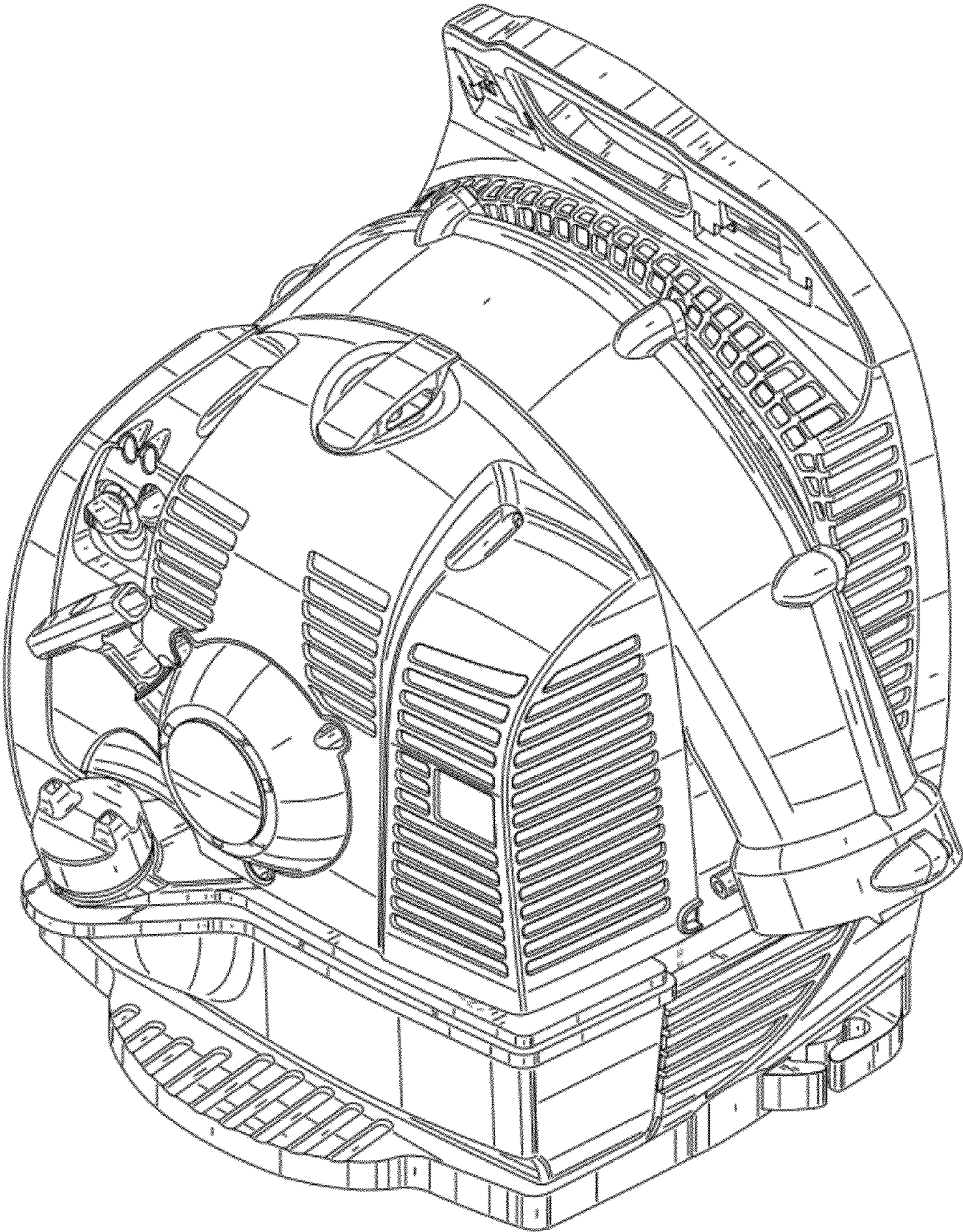


FIG. 1

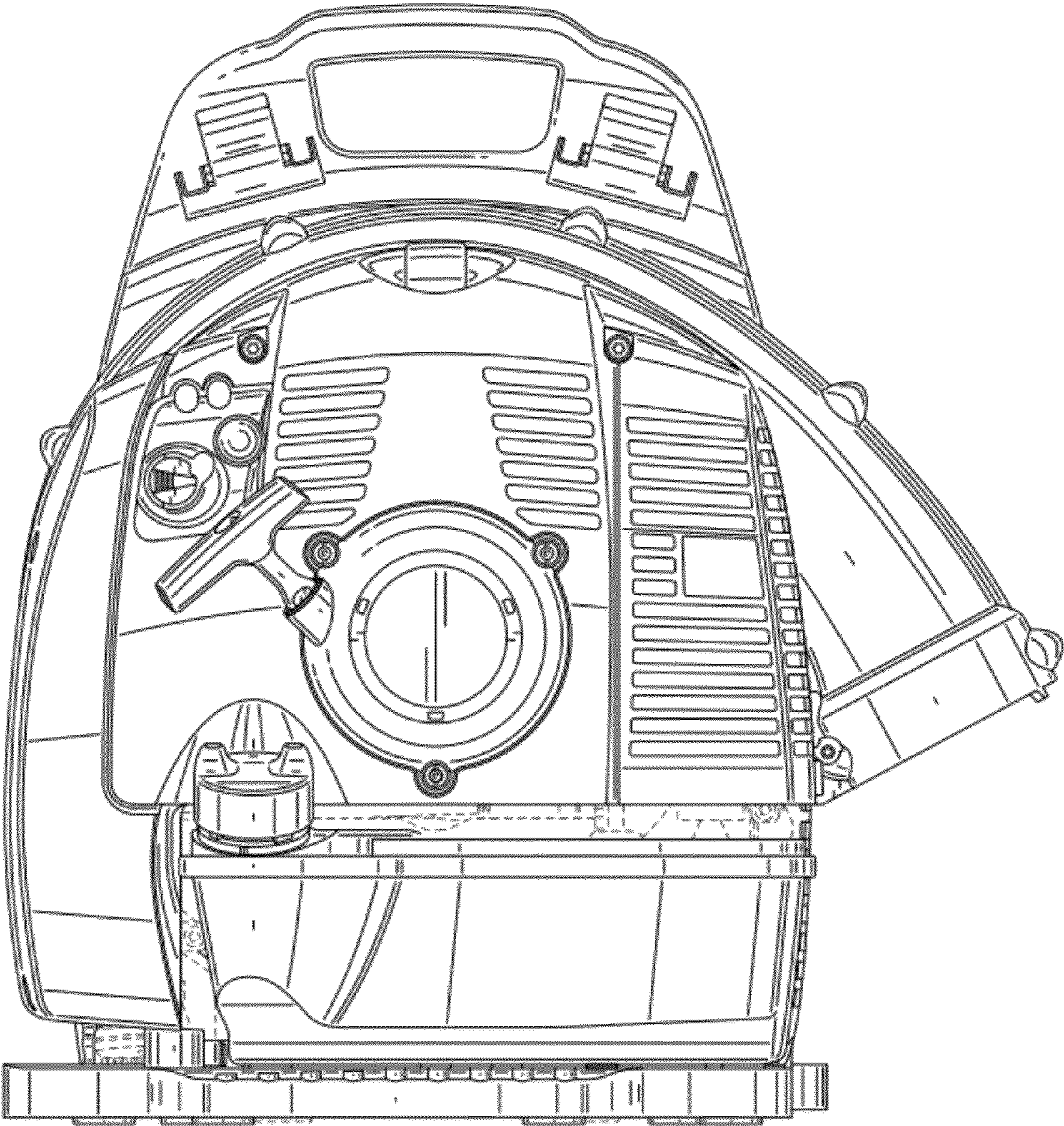


FIG. 2

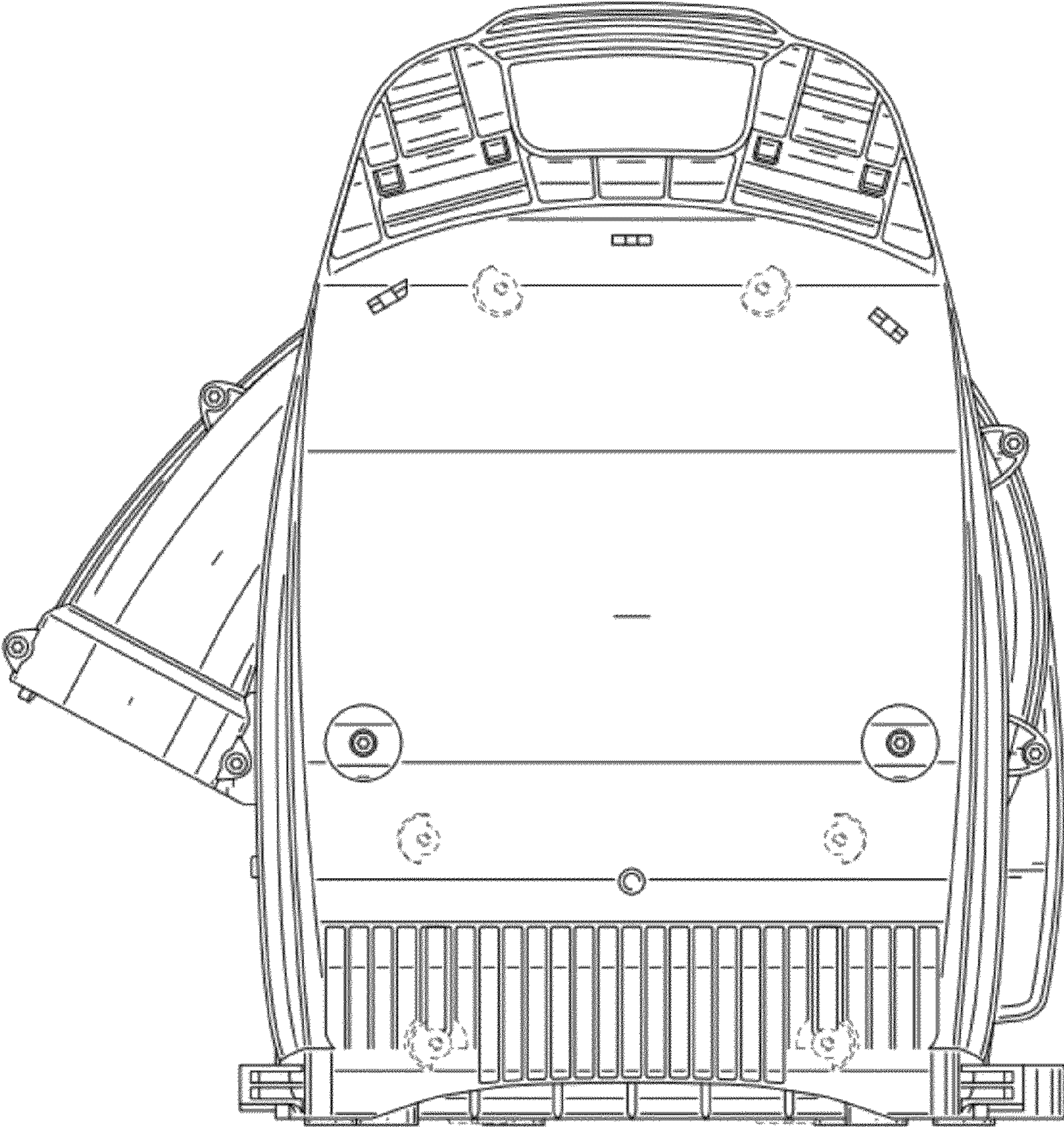


FIG. 3

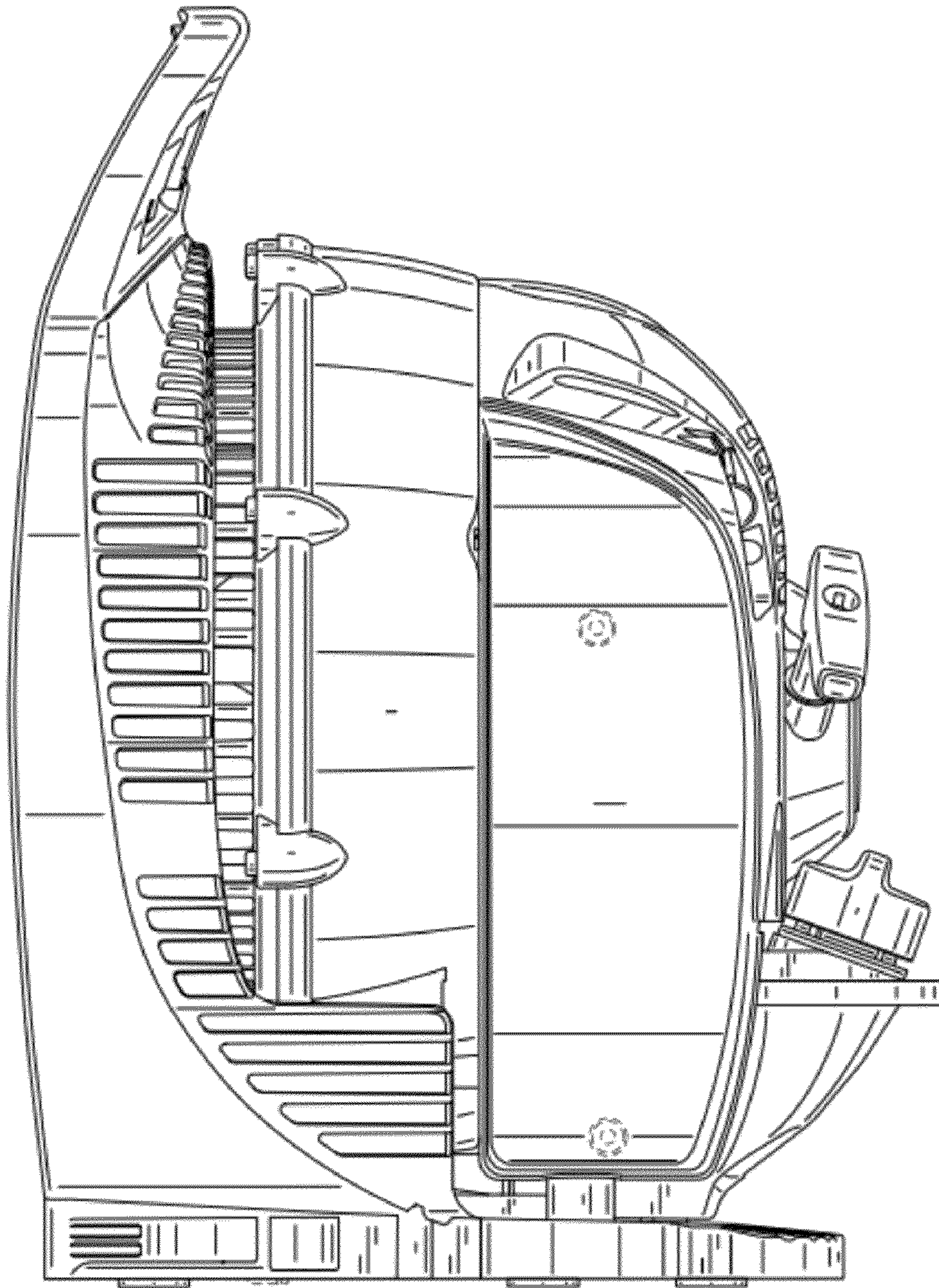


FIG. 4

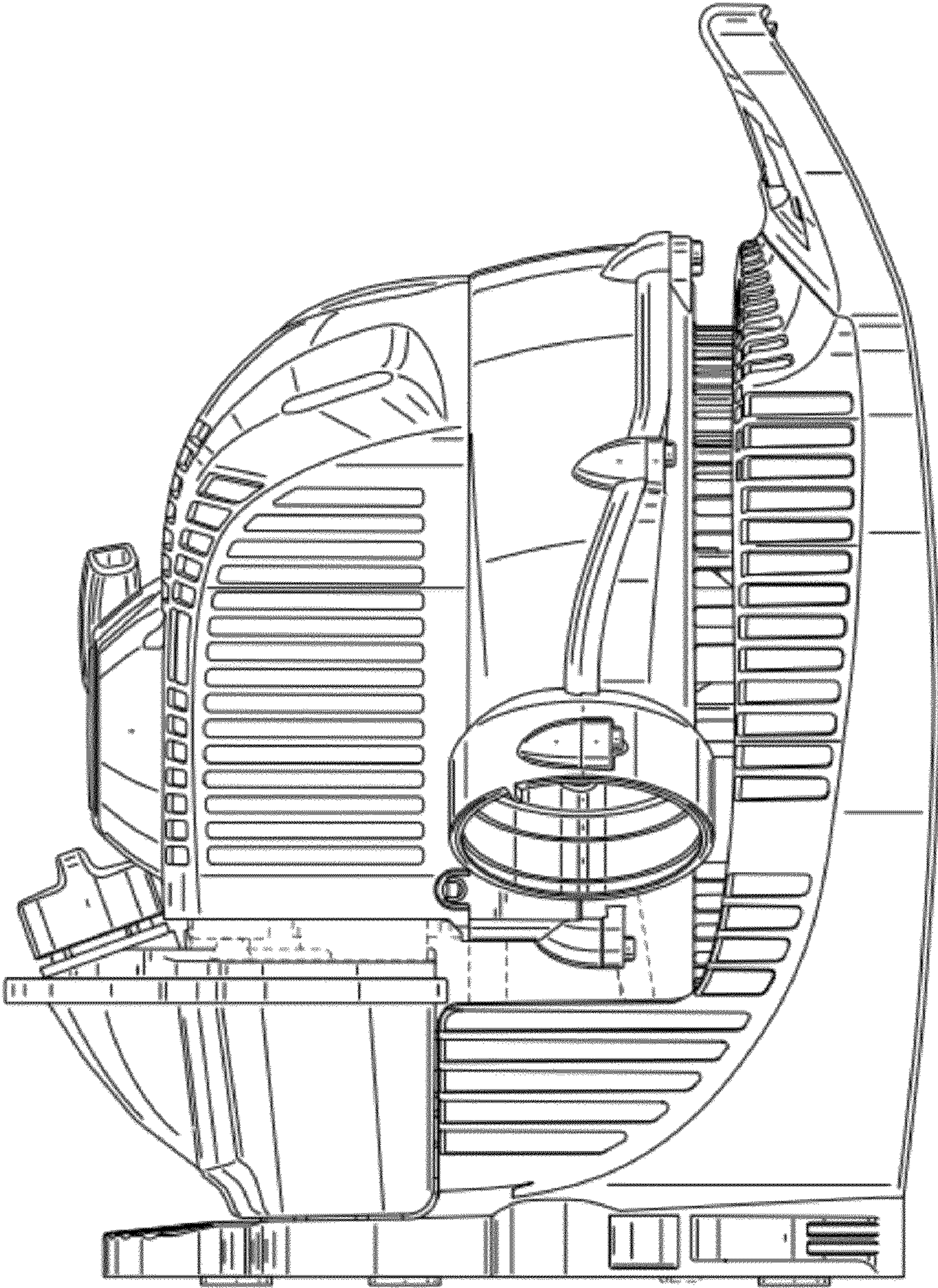


FIG. 5

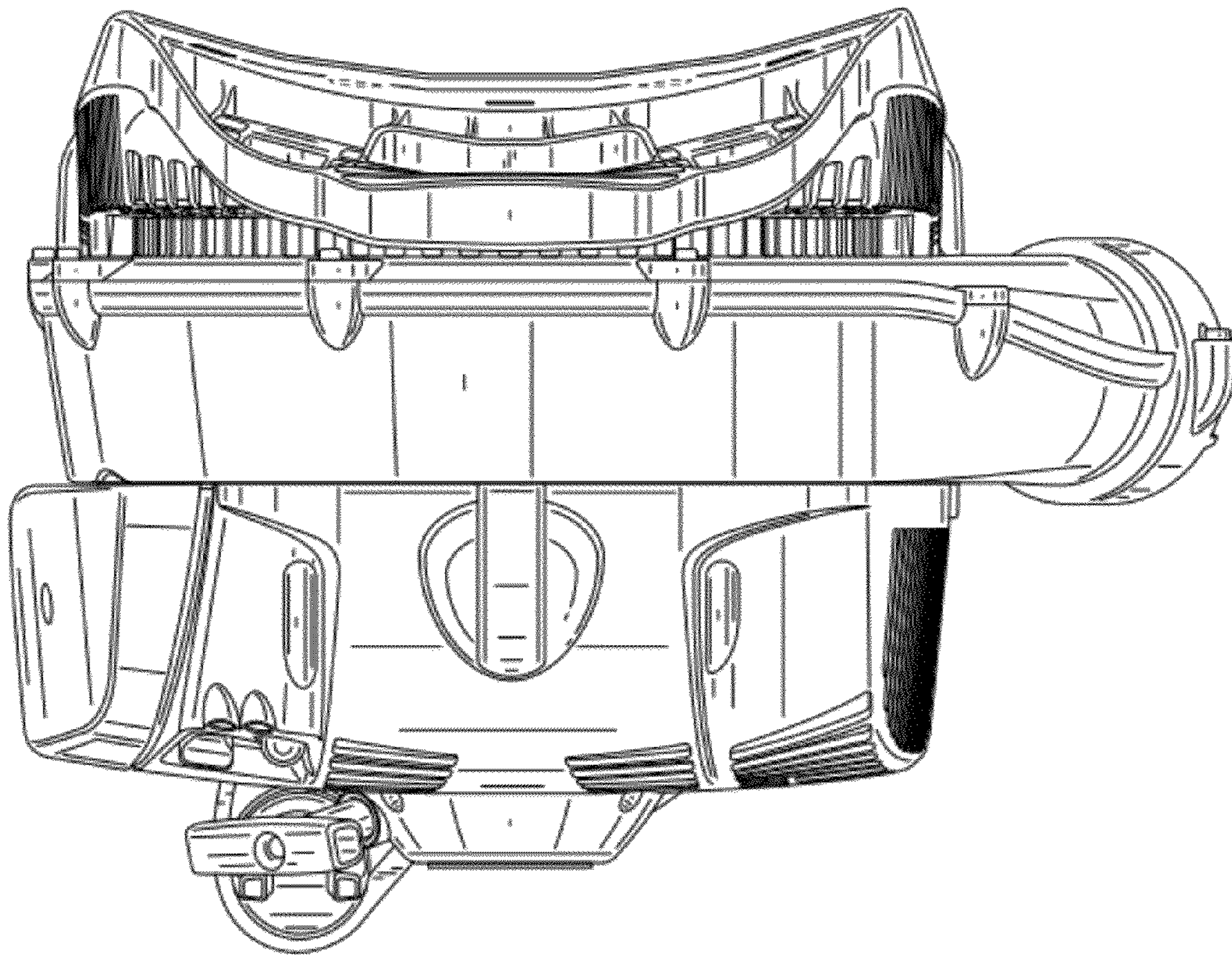


FIG. 6

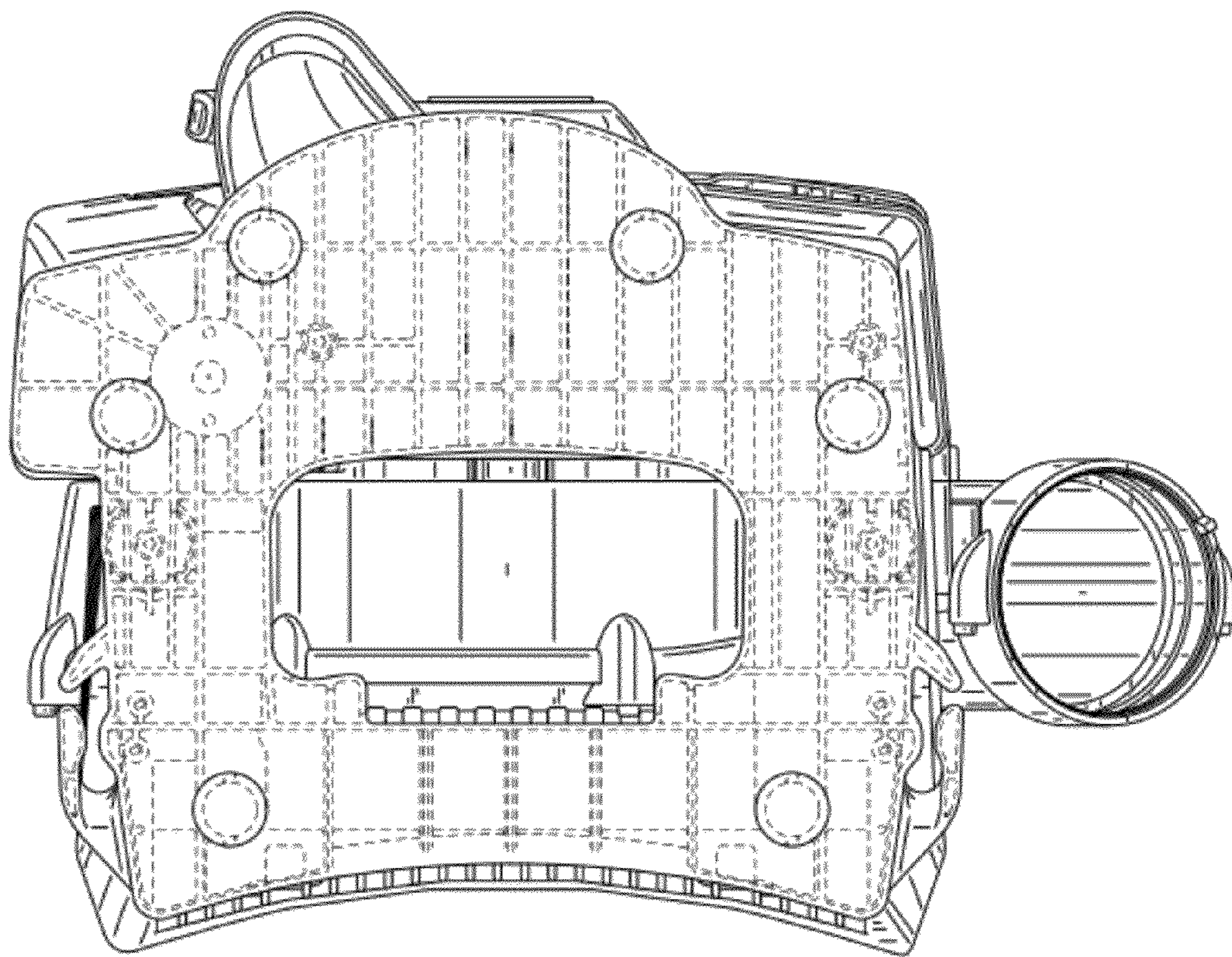


FIG. 7