



US00D662950S

(12) **United States Design Patent**
Lu

(10) **Patent No.:** **US D662,950 S**
(45) **Date of Patent:** **** Jul. 3, 2012**

(54) **PORTABLE COMPRESSOR**
(75) Inventor: **Hsueh-yu Lu, TaiPei (TW)**
(73) Assignee: **Trudell Medical International, London, Ontario (CA)**

D570,473 S 6/2008 Hamaguchi et al.
D598,472 S * 8/2009 Anderson et al. D15/7
D606,099 S * 12/2009 Lawyer et al. D15/7
D635,587 S * 4/2011 Schleef D15/7
D641,764 S * 7/2011 Lipscomb et al. D15/7
D642,273 S 7/2011 McCombs et al.
D644,250 S * 8/2011 Barber et al. D15/7

(**) Term: **14 Years**
(21) Appl. No.: **29/396,960**

OTHER PUBLICATIONS

U.S. Appl. No. 29/406,780, filed Nov. 18, 2011 (7 pages).
U.S. Appl. No. 29/406,782, filed Nov. 18, 2011 (7 pages).

(22) Filed: **Jul. 8, 2011**
(51) **LOC (9) Cl.** **15-02**
(52) **U.S. Cl.** **D15/9**
(58) **Field of Classification Search** D15/7-9;
D23/231, 232; 417/410.1, 359, 415-416,
417/234, 321, 265, 405, 313
See application file for complete search history.

* cited by examiner

Primary Examiner — Ralf Seifert
(74) *Attorney, Agent, or Firm* — Brinks Hofer Gilson & Lione

(57) **CLAIM**
I claim the ornamental design for a portable compressor, as shown and described.

(56) **References Cited**

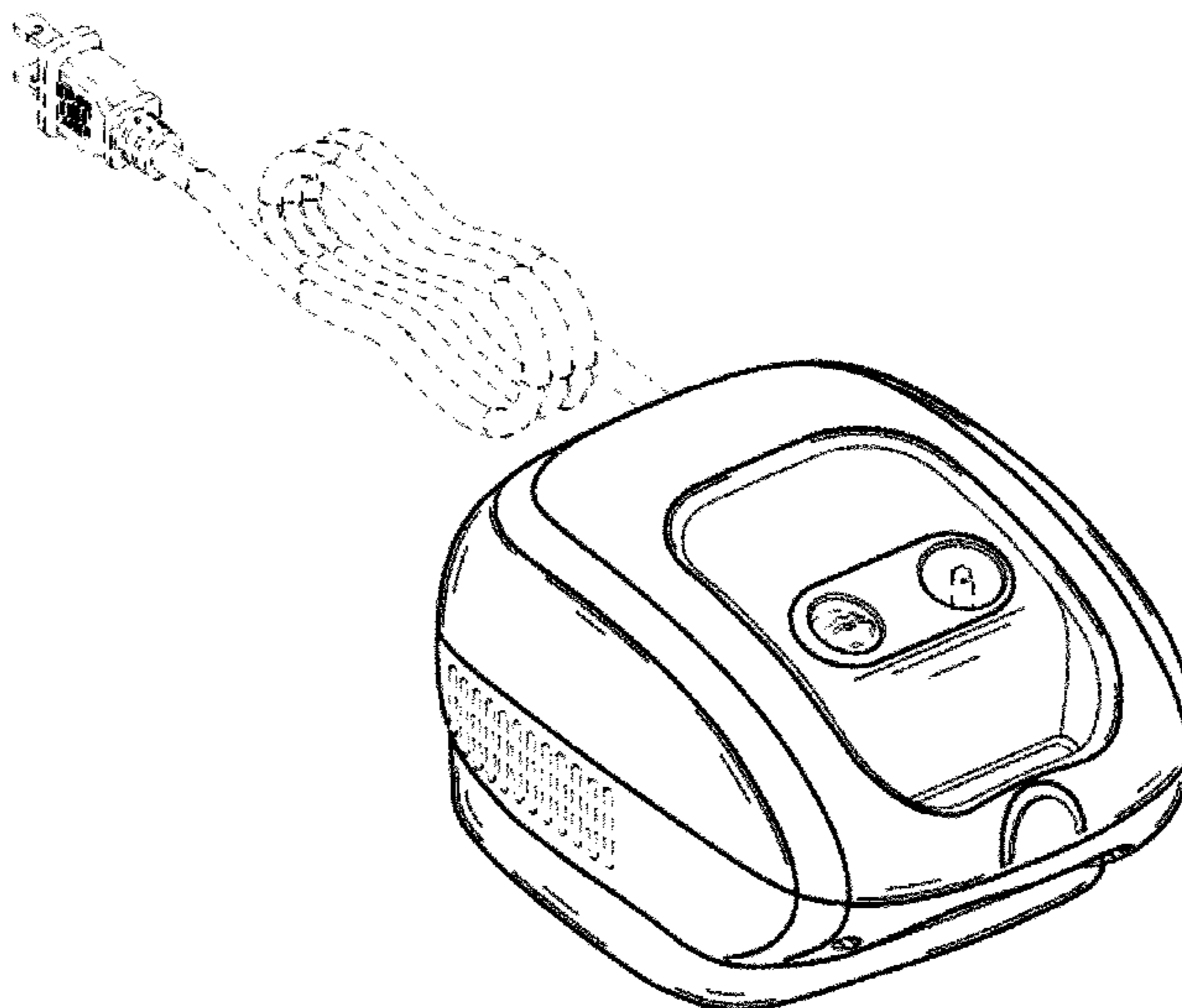
DESCRIPTION

U.S. PATENT DOCUMENTS

D277,675 S 2/1985 Hung
D375,962 S * 11/1996 Wong D15/9
D376,199 S 12/1996 Rozek et al.
D418,522 S 1/2000 Angel
D421,298 S 2/2000 Kenyon et al.
D437,637 S 2/2001 Leonhard et al.
D454,393 S 3/2002 Lynch et al.
D464,724 S 10/2002 Lynch et al.
D468,017 S 12/2002 McCombs
D498,768 S 11/2004 Romandy et al.
D527,098 S 8/2006 Cheng
D538,825 S 3/2007 Chen Han
D548,331 S 8/2007 Tseng
D568,464 S 5/2008 Attolini

FIG. 1 is a top left side perspective view of a portable compressor of the present invention;
FIG. 2 is a top right side perspective view thereof;
FIG. 3 is a front elevation view thereof;
FIG. 4 is a rear elevation view thereof;
FIG. 5 is a left side elevation view thereof;
FIG. 6 is a right side elevation view thereof;
FIG. 7 is a top plan view thereof; and,
FIG. 8 is a bottom plan view thereof.
The ornamental design which is claimed is shown in solid lines in the drawings. Any broken or phantom lines in the drawings form no part of the claimed design.

1 Claim, 6 Drawing Sheets



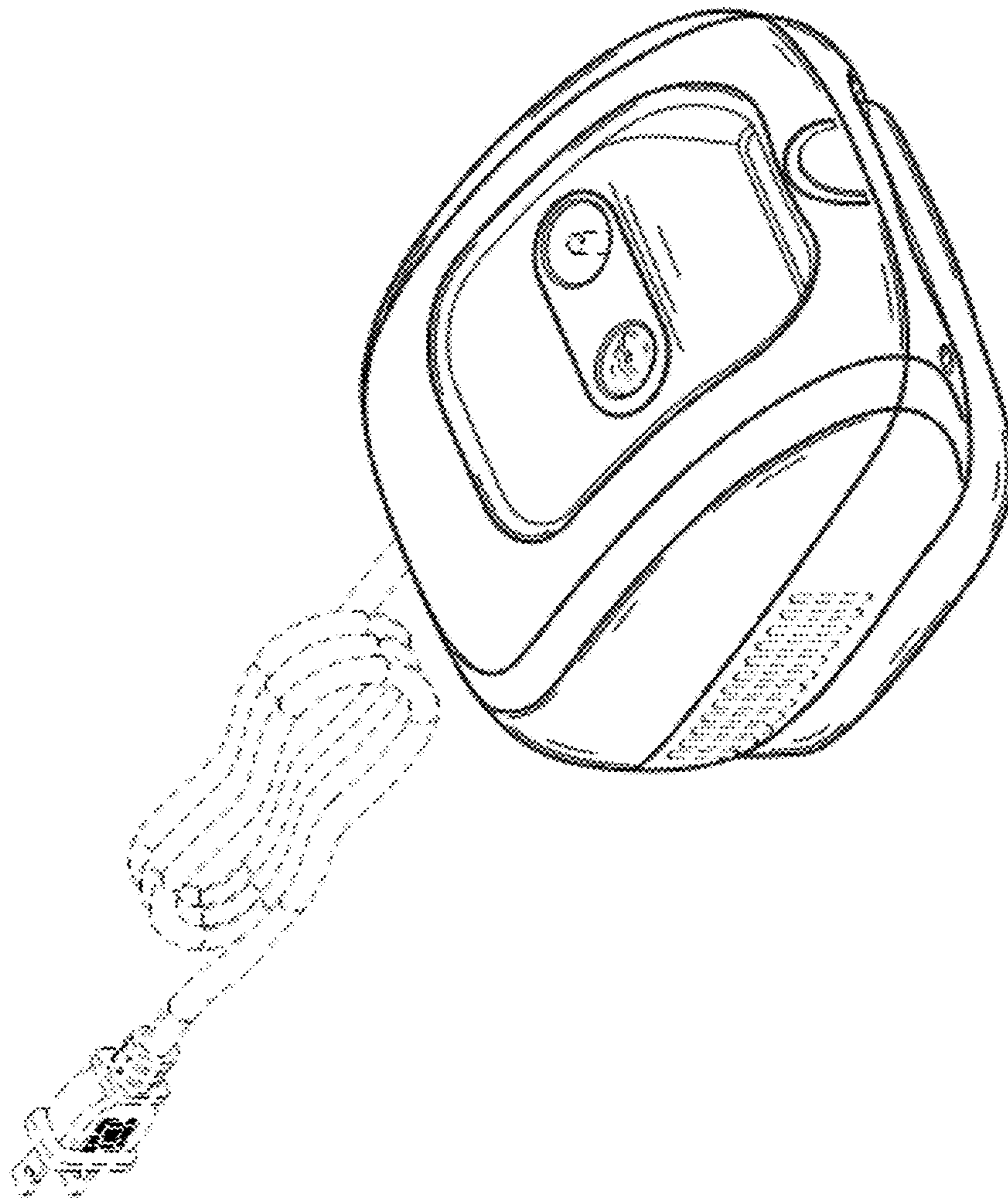


FIG. 1

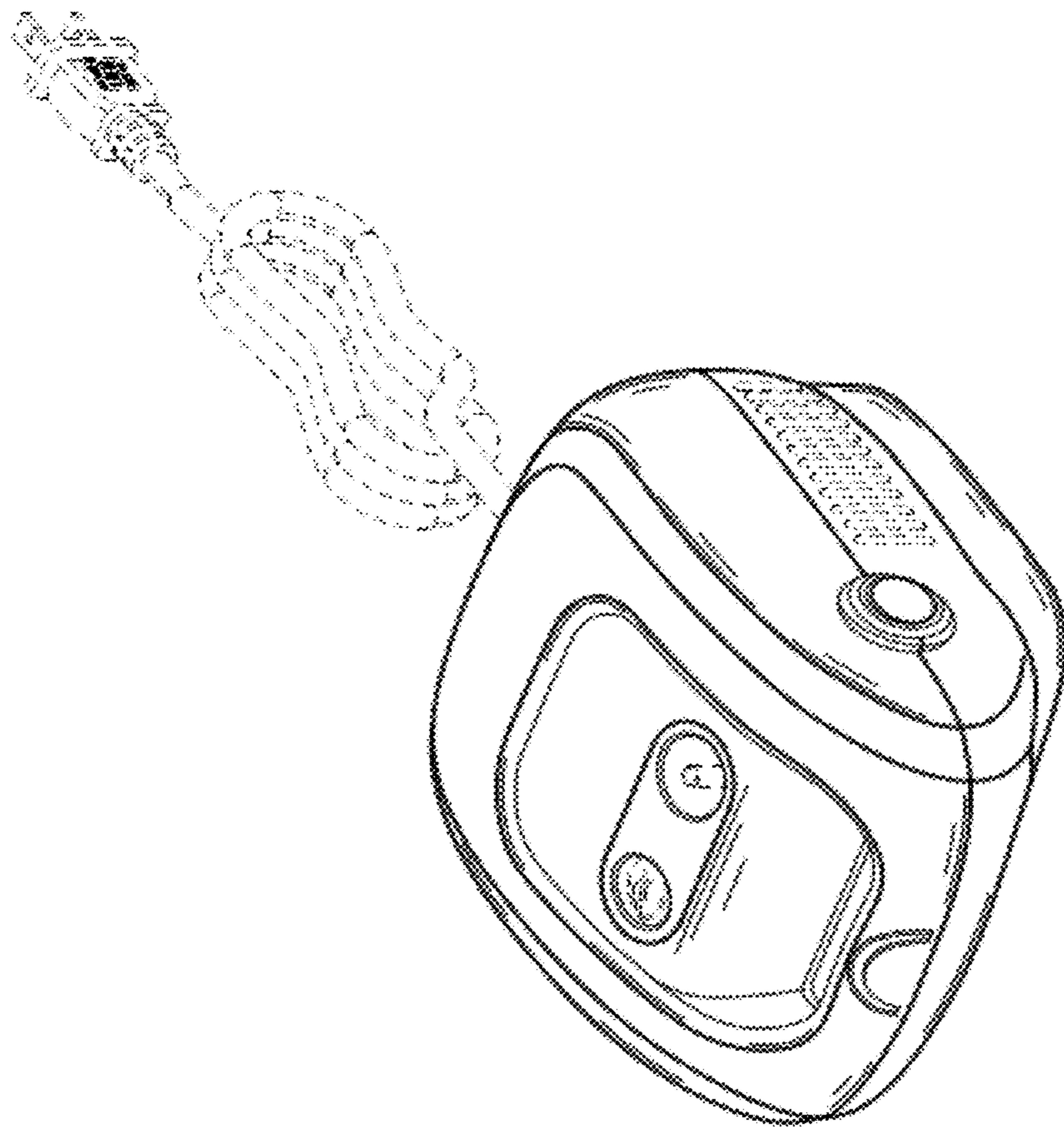


FIG. 2

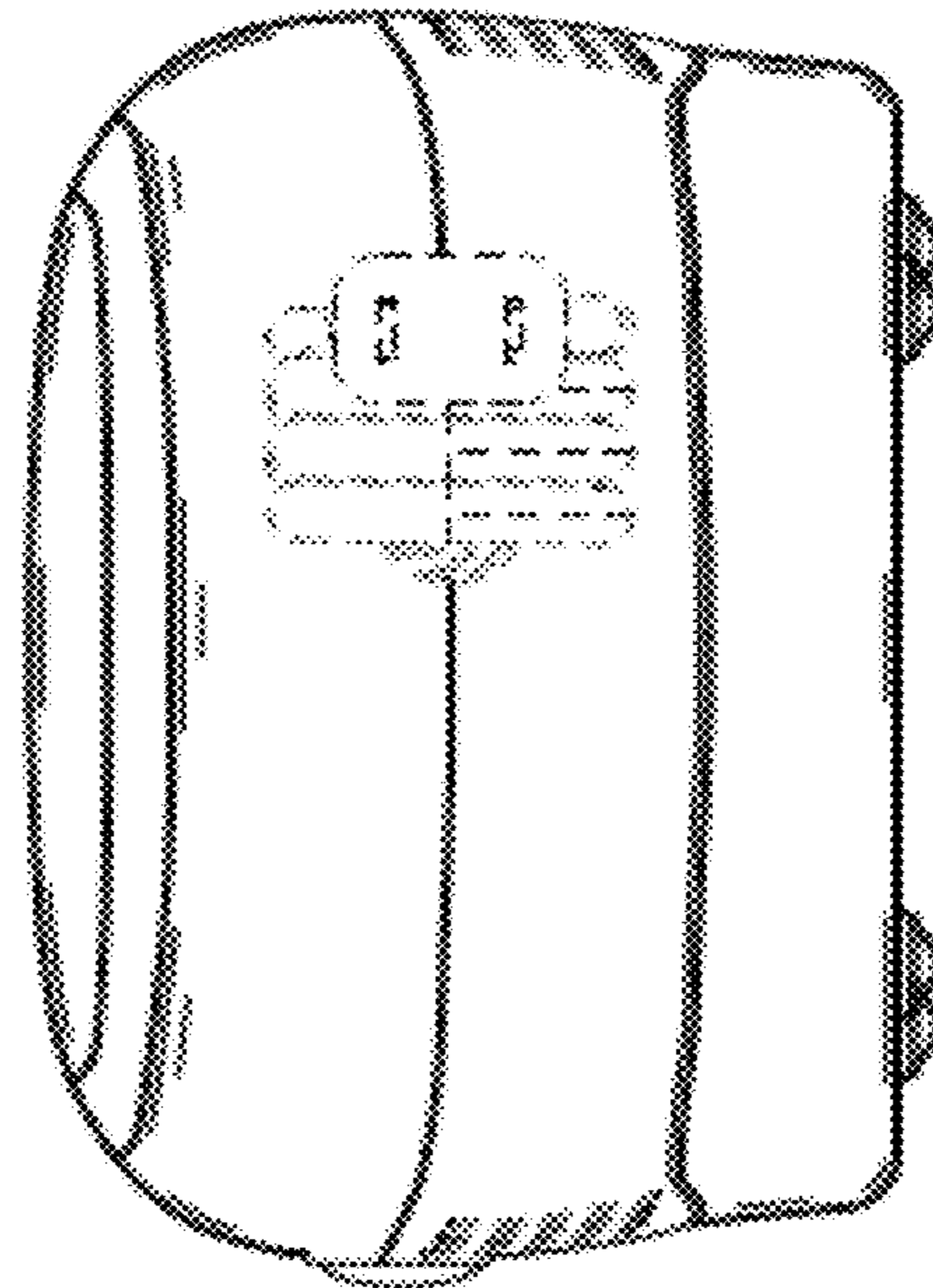


FIG. 3

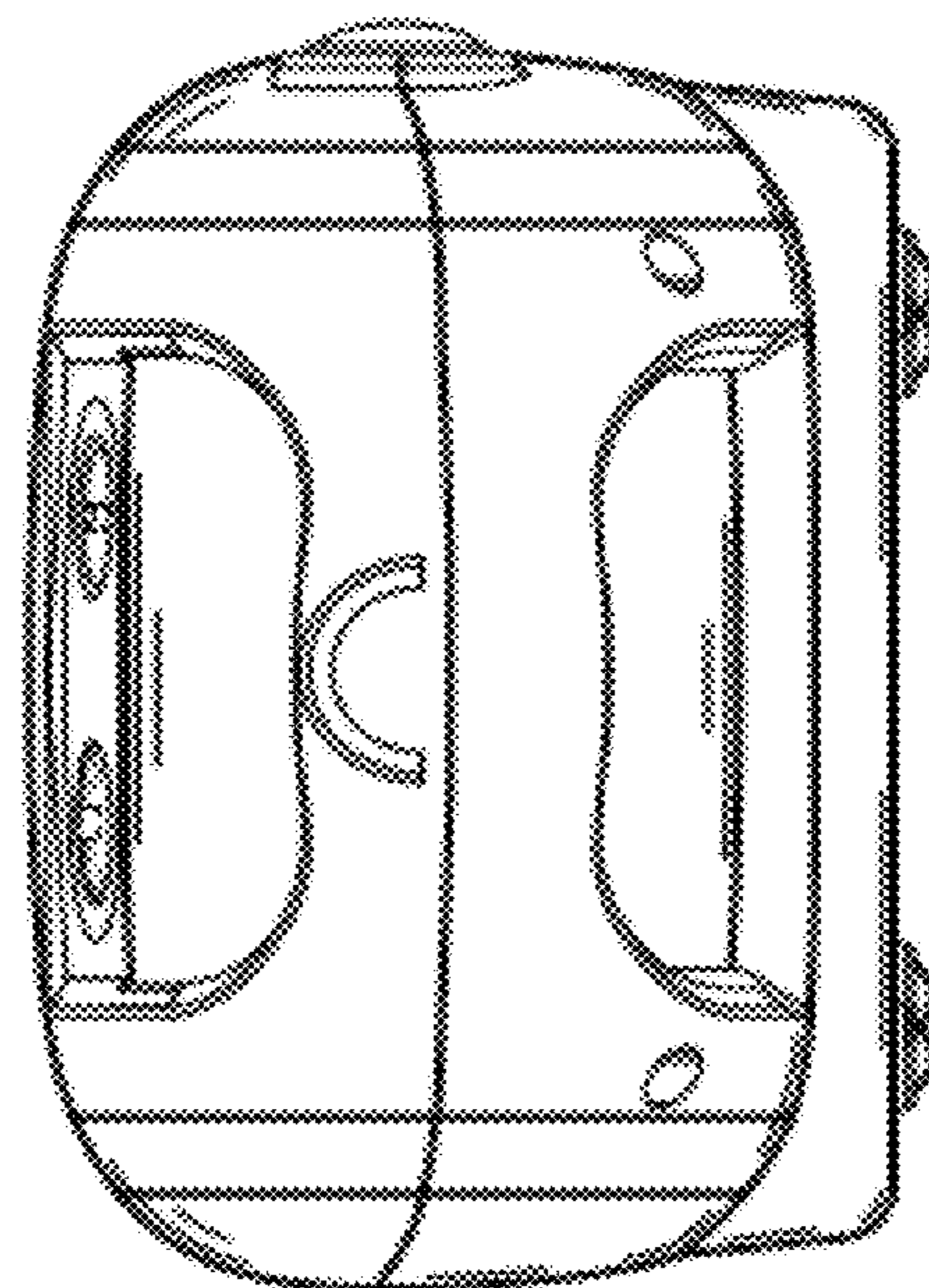


FIG. 4

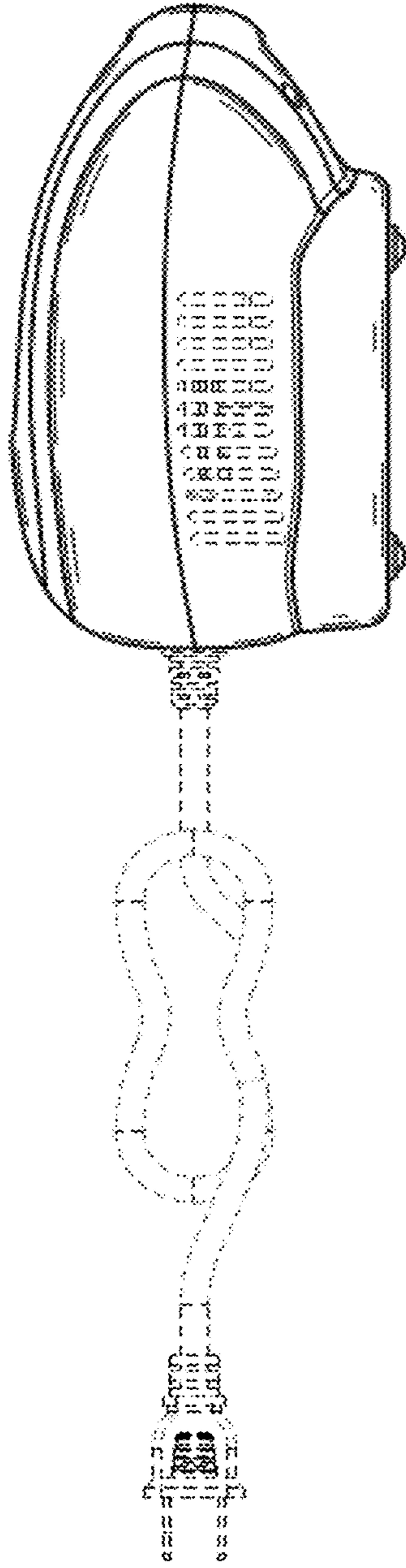


FIG. 5

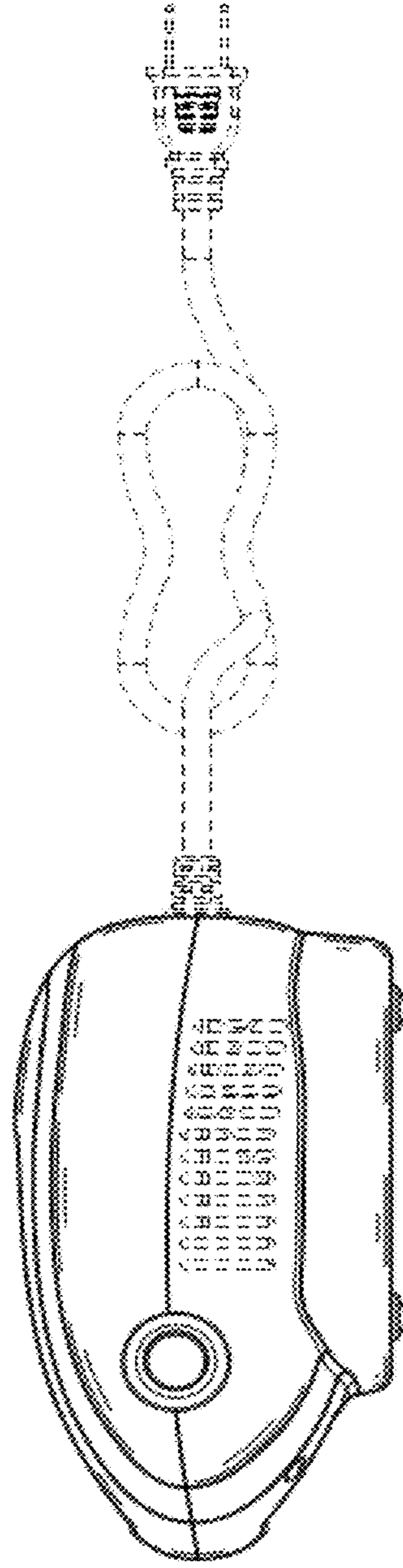


FIG. 6

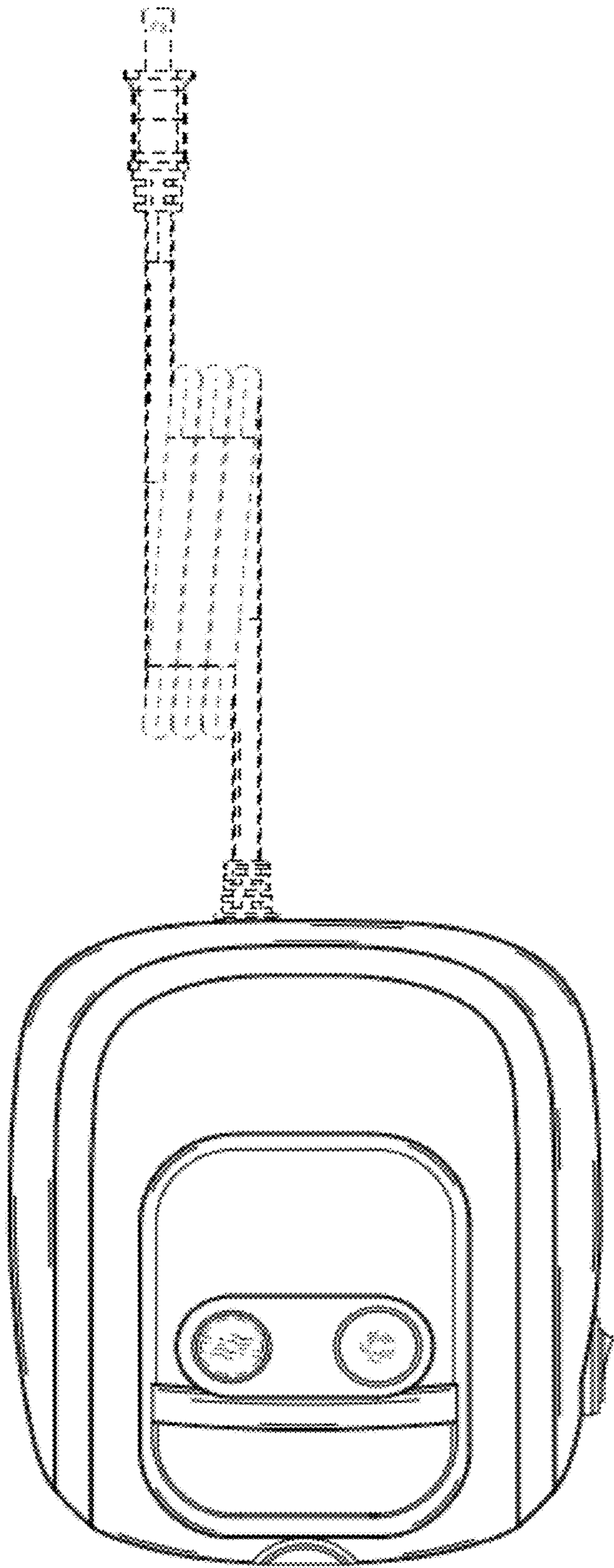


FIG. 7

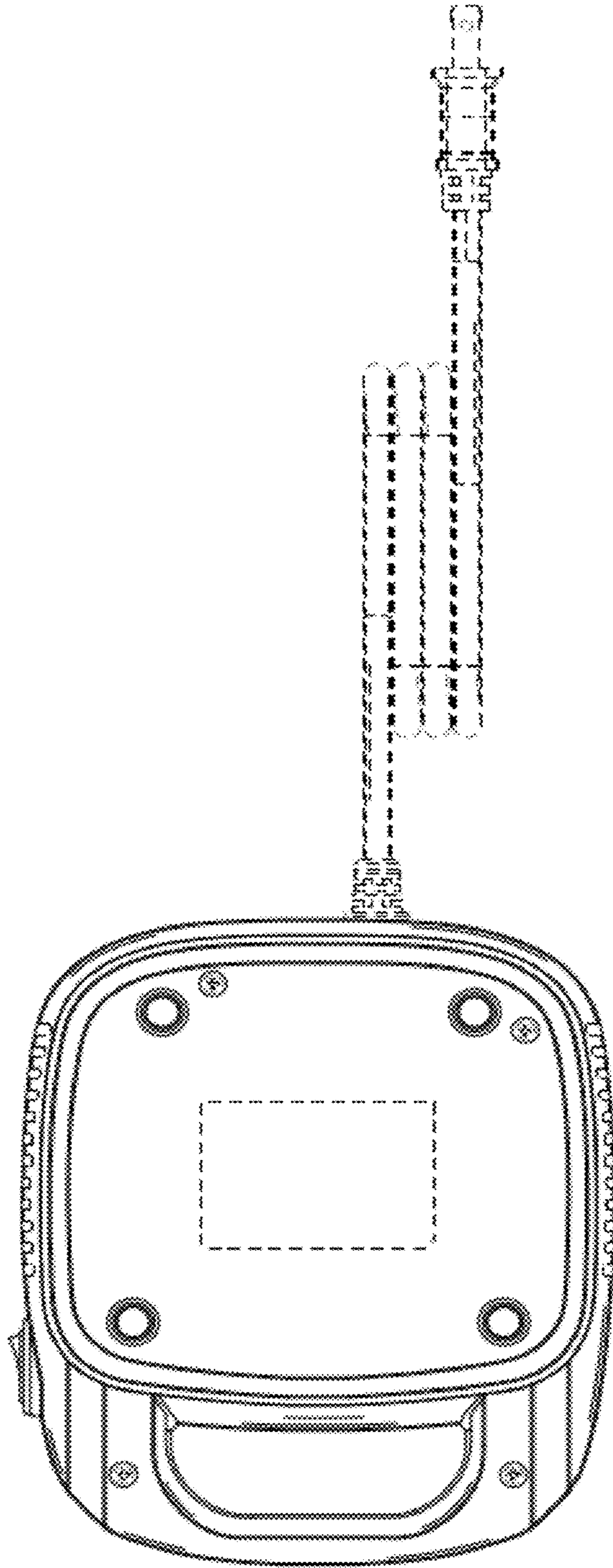


FIG. 8