

US00D662940S

(12) **United States Design Patent**
Magnusson

(10) **Patent No.:** **US D662,940 S**

(45) **Date of Patent:** **** Jul. 3, 2012**

(54) **SUPPORT MAST**

(75) **Inventor:** **Carl Gustav Magnusson**, New York,
NY (US)

(73) **Assignee:** **Teknion Corporation (CA)**

(**) **Term:** **14 Years**

(21) **Appl. No.:** **29/393,947**

(22) **Filed:** **Jun. 10, 2011**

(51) **LOC (9) Cl.** **08-07**

(52) **U.S. Cl.** **D14/451**

(58) **Field of Classification Search** D14/448,
D14/451, 452, 457, 460, 461, 432, 439, 447,
D14/127, 239, 373, 374, 377; D8/349, 354,
D8/363, 373, 376, 380; 248/519, 534, 541,
248/58, 125.8, 127, 131, 133, 139, 176.1,
248/176.3, 188.5, 279.1, 333, 917, 918, 919,
248/920, 921, 922, 923, 924; 361/679.02,
361/679.04, 679.05, 679.06, 679.07, 679.09,
361/679.21, 679.22, 679.26, 679.3; 379/454,
379/455; 312/223.3; 348/825; D25/119–125
See application file for complete search history.

(56) **References Cited**

U.S. PATENT DOCUMENTS

D315,027 S *	2/1991	Abbestam et al.	D25/124
D473,663 S *	4/2003	Chou	D25/122
D492,836 S *	7/2004	Lawrenson	D1/199
D521,850 S *	5/2006	Richter et al.	D8/354
D522,009 S *	5/2006	Chen	D14/452
D549,063 S *	8/2007	Pribyl et al.	D8/73

D563,399 S *	3/2008	Wohlford et al.	D14/239
D584,734 S *	1/2009	Chu	D14/452
7,472,458 B2 *	1/2009	Oddsens, Jr.	16/255
D591,756 S *	5/2009	Wohlford et al.	D14/452
D595,298 S *	6/2009	Zonshine et al.	D14/451
D617,174 S *	6/2010	Schaefer et al.	D8/354
7,861,992 B2 *	1/2011	Huang	248/282.1

* cited by examiner

Primary Examiner — Angela J Lee

(74) *Attorney, Agent, or Firm* — Banner & Witcoff, Ltd.

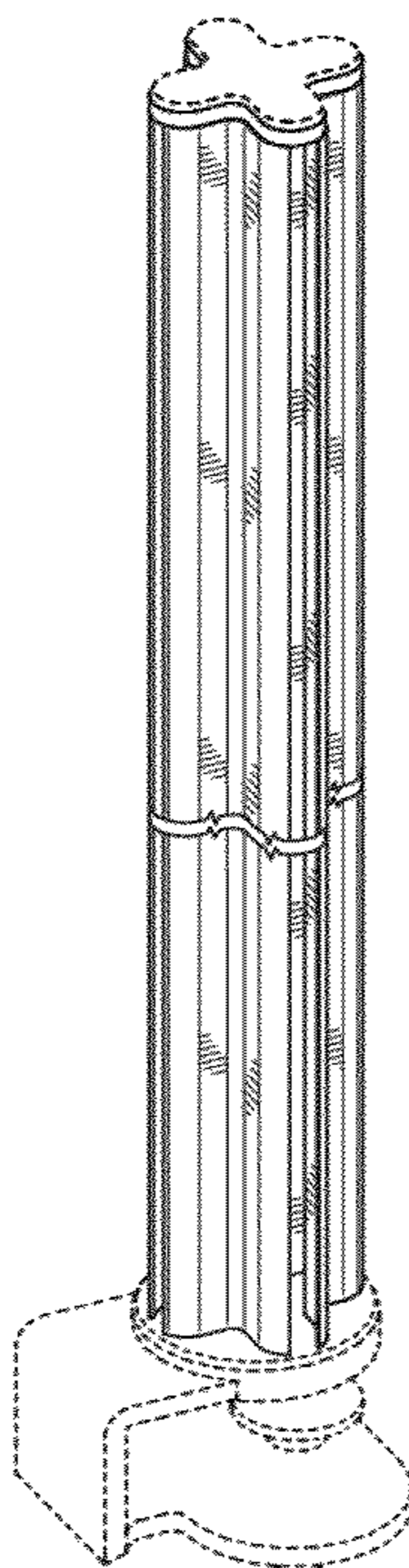
(57) **CLAIM**

The ornamental design for a support mast, as shown and described.

DESCRIPTION

FIG. 1 is a perspective view of a support mast showing my new design;
FIG. 2 is a left side view thereof, the right side view being a mirror image thereof;
FIG. 3 is a top view thereof;
FIG. 4 is a bottom view thereof,
FIG. 5 is a front view thereof;
FIG. 6 is a rear view thereof; and,
FIG. 7 is a perspective view thereof with additional disclaimed environment showing an in-use position.
The broken-line showing of the top and bottom of the mast in FIGS. 1-7 and the horizontal extension and monitor in FIG. 7 is for illustrative purposes only and forms no part of the claimed design. The support mast is transversely broken to indicate that no particular length is claimed.

1 Claim, 4 Drawing Sheets



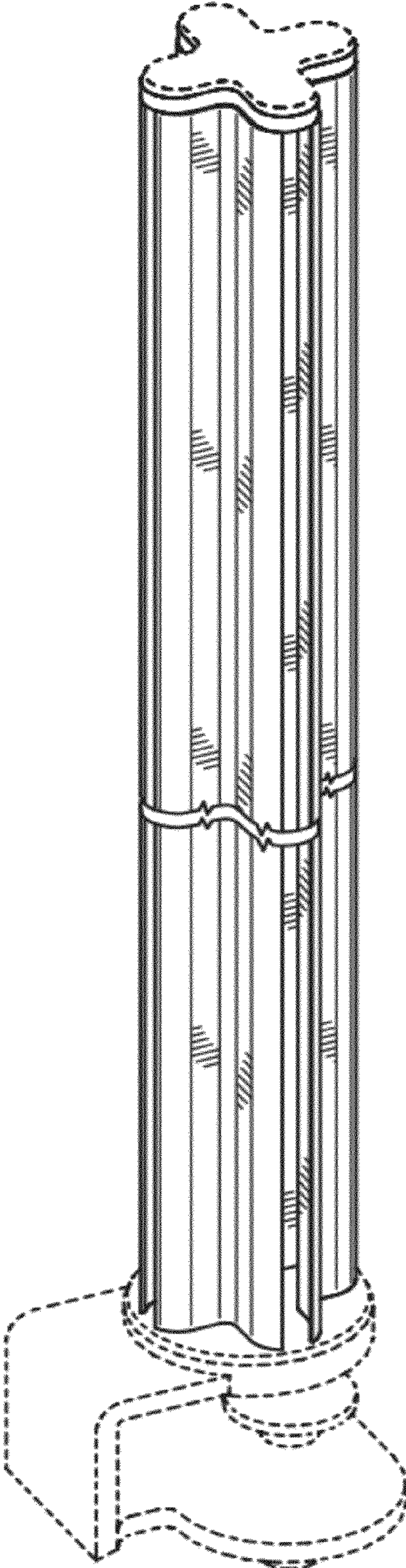
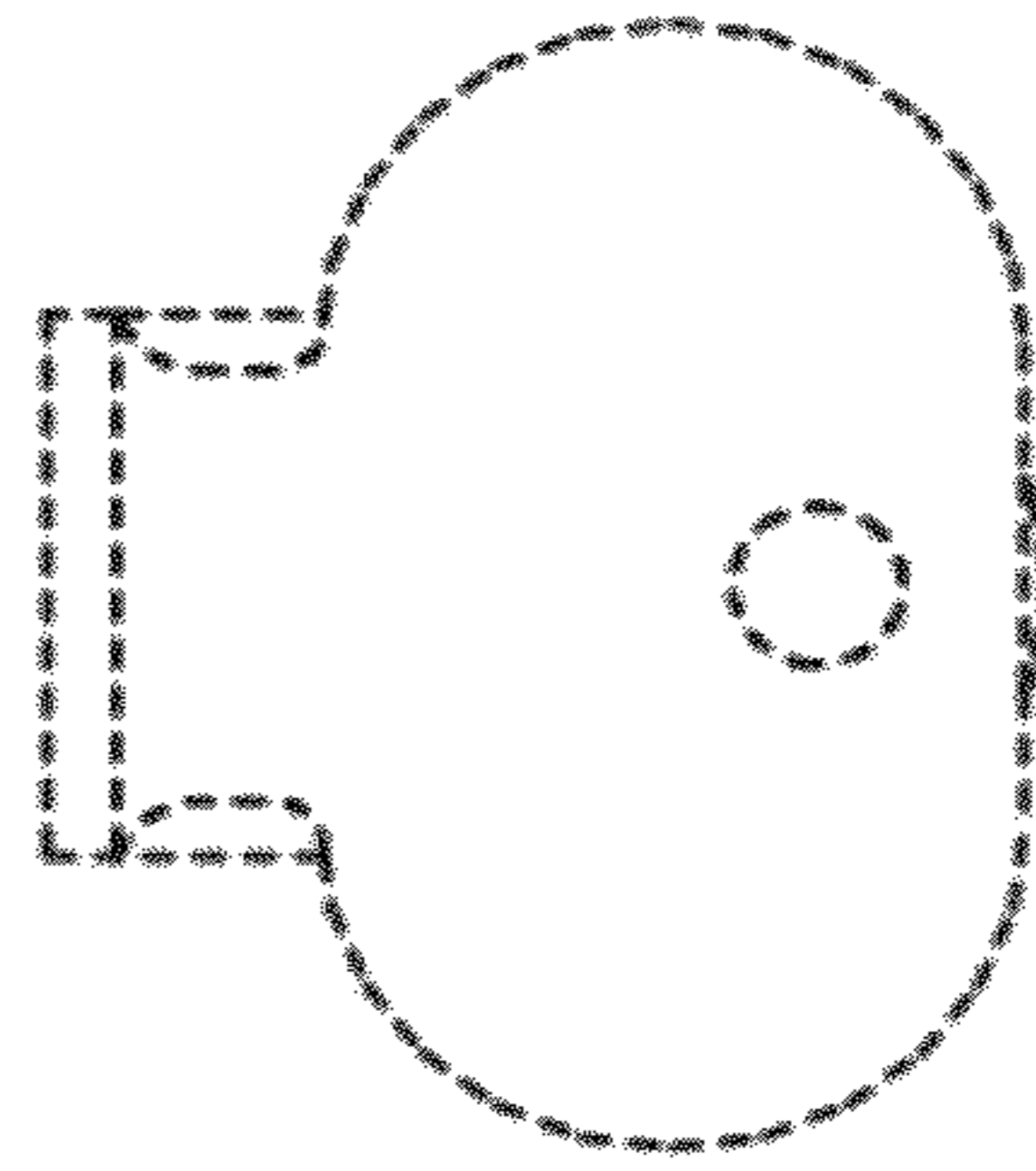
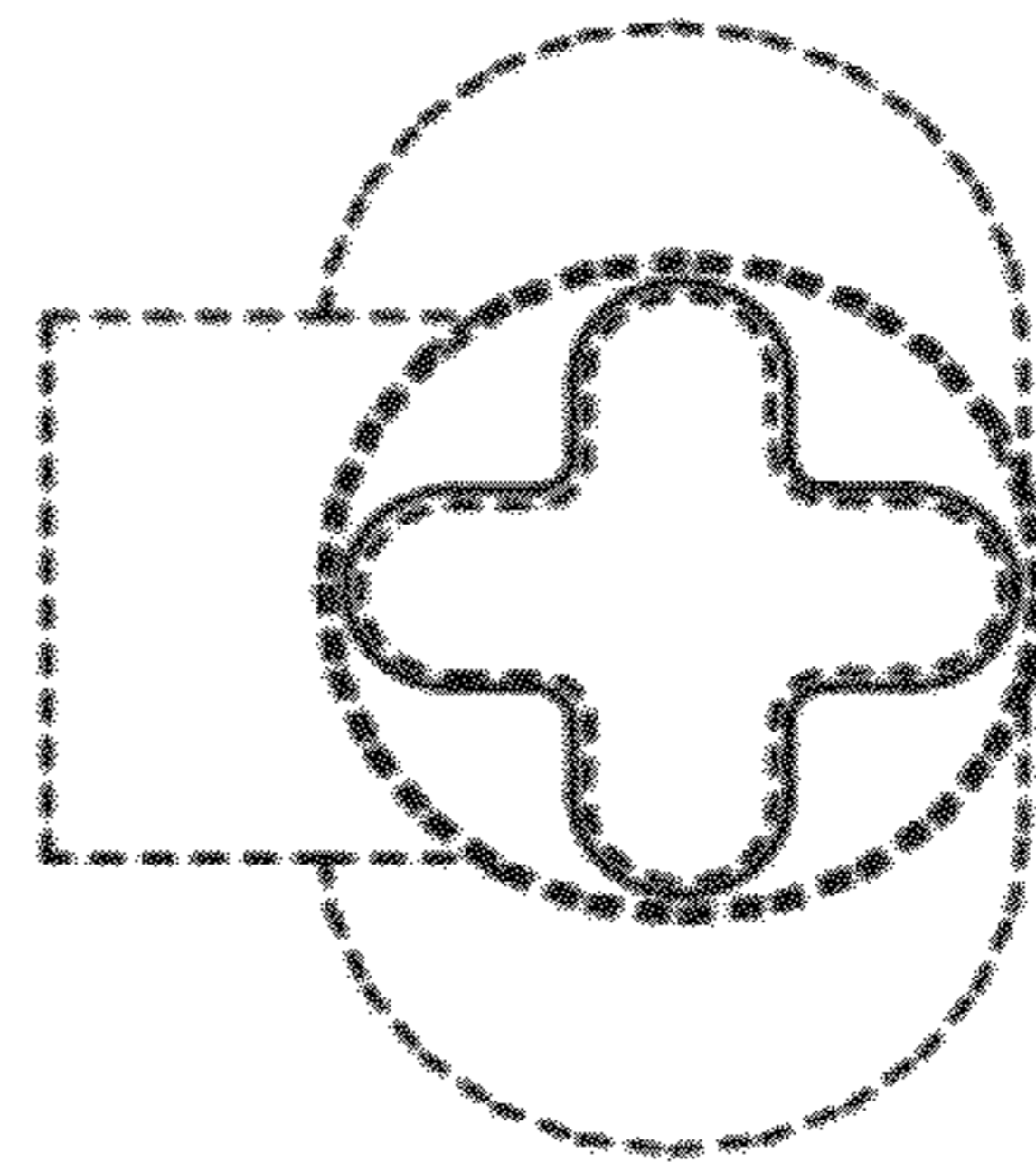
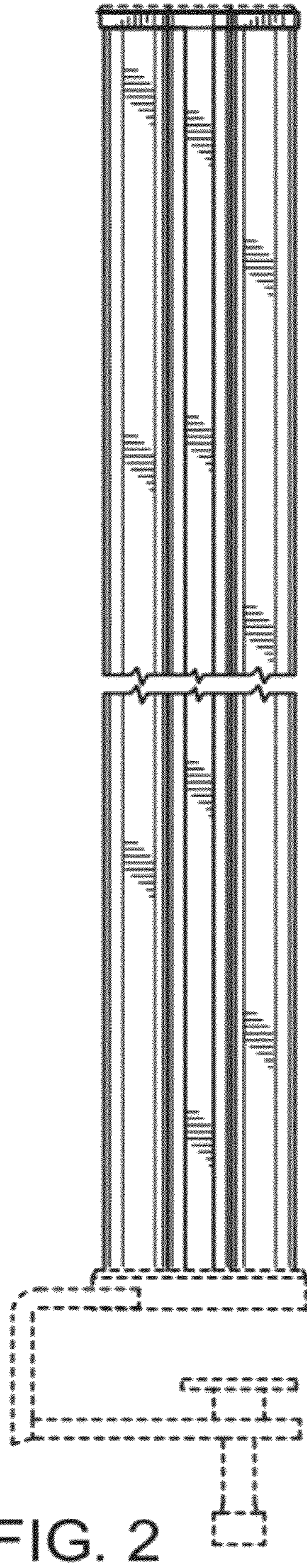


FIG. 1



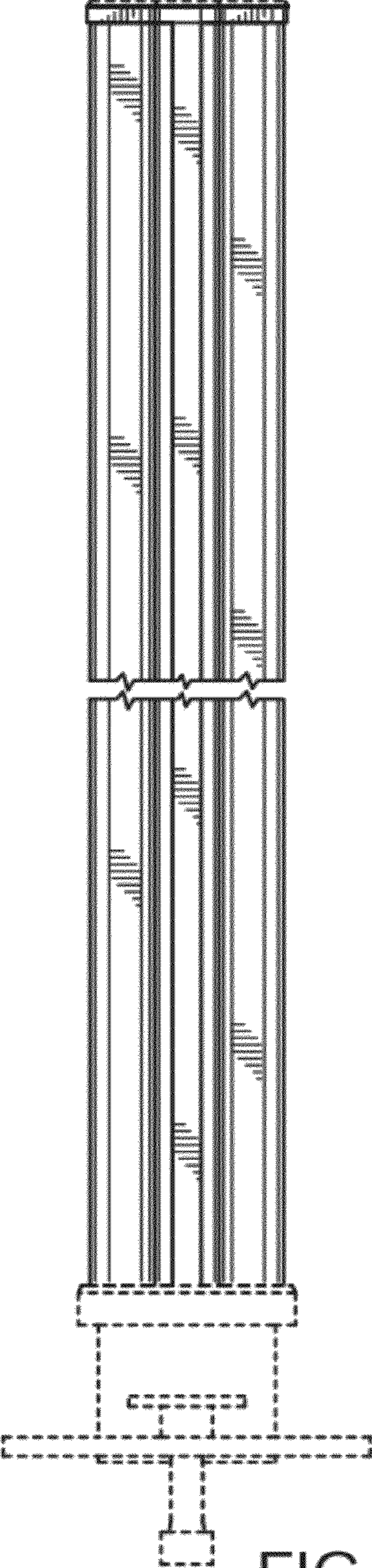


FIG. 5

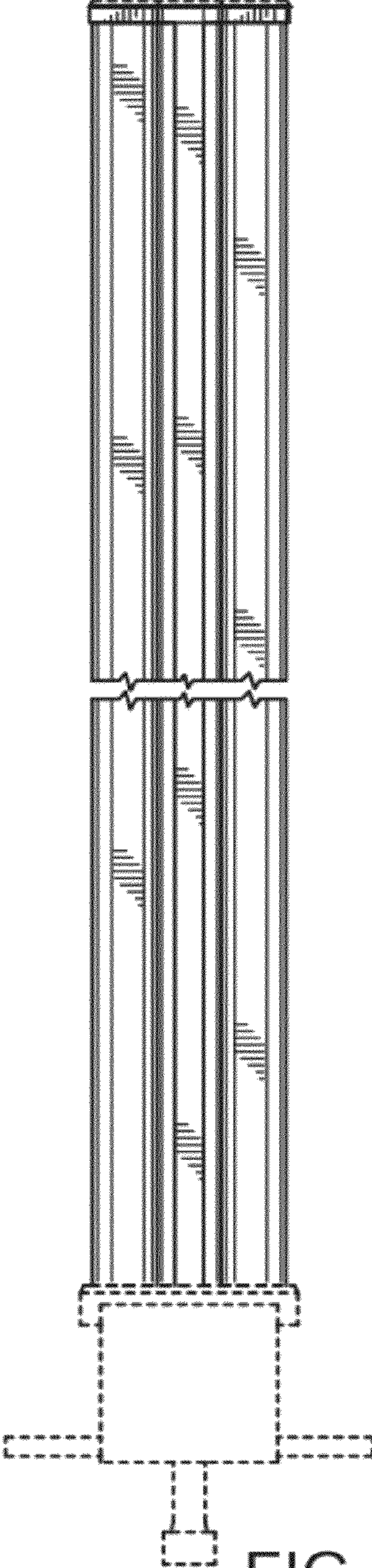


FIG. 6

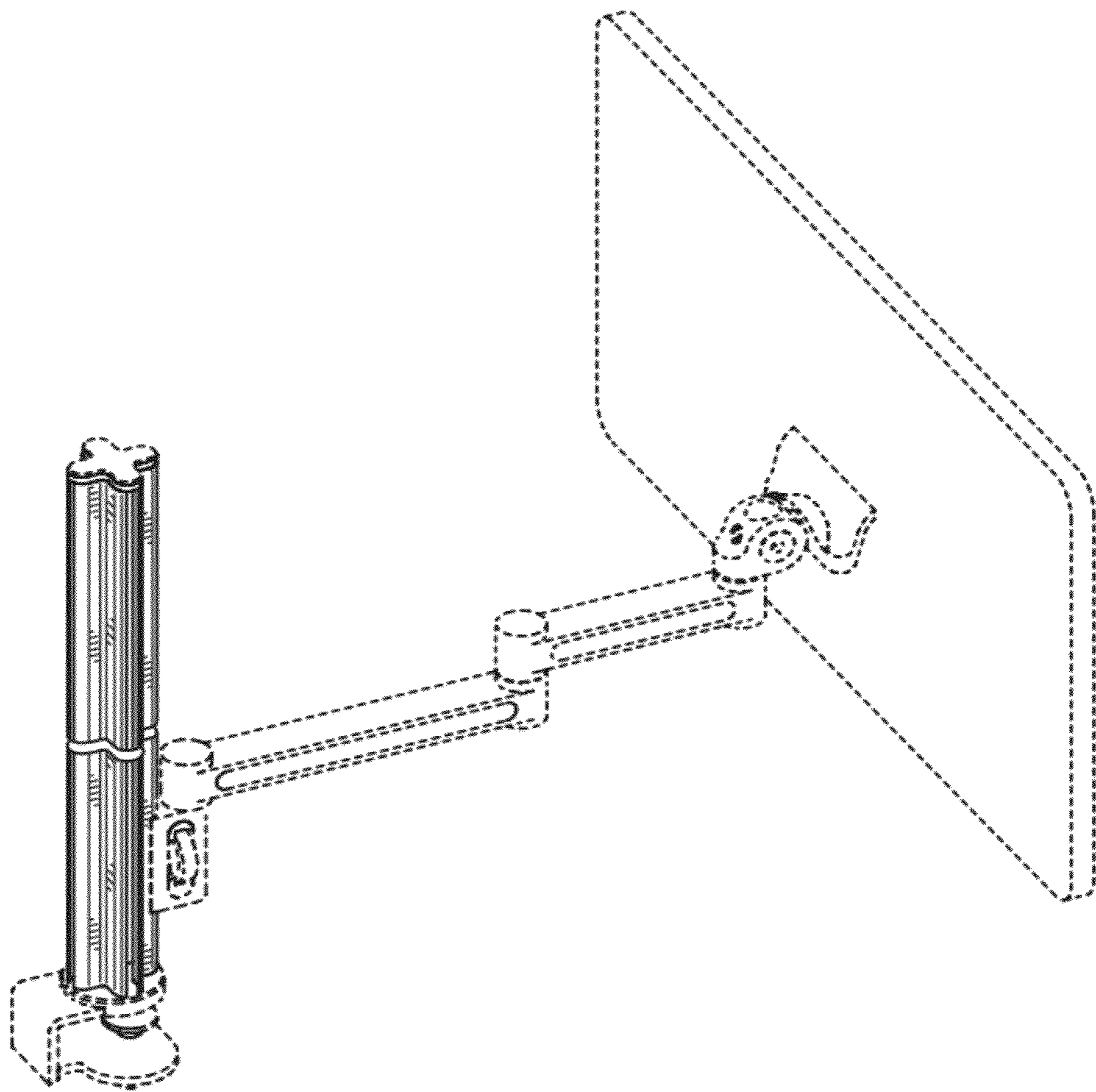


FIG. 7