

US00D662939S

(12) **United States Design Patent**
Akana et al.

(10) **Patent No.:** **US D662,939 S**
(45) **Date of Patent:** **** Jul. 3, 2012**

(54) **STAND**

(75) Inventors: **Jody Akana**, San Francisco, CA (US);
Bartley K. Andre, Menlo Park, CA
(US); **Jeremy Bataillou**, San Francisco,
CA (US); **Daniel J. Coster**, San
Francisco, CA (US); **Daniele De Iuliis**,
San Francisco, CA (US); **Evans**
Hankey, San Francisco, CA (US);
Richard P. Howarth, San Francisco, CA
(US); **Jonathan P. Ive**, San Francisco,
CA (US); **Duncan Robert Kerr**, San
Francisco, CA (US); **Shin Nishibori**,
Portola Valley, CA (US); **Matthew Dean**
Rohrbach, San Francisco, CA (US);
Peter Russell-Clarke, San Francisco,
CA (US); **Christopher J. Stringer**,
Woodside, CA (US); **Eugene Antony**
Whang, San Francisco, CA (US); **Rico**
Zorkendorfer, San Francisco, CA (US)

(73) Assignee: **Apple Inc.**, Cupertino, CA (US)

(**) Term: **14 Years**

(21) Appl. No.: **29/397,558**

(22) Filed: **Jul. 18, 2011**

Related U.S. Application Data

(63) Continuation of application No. 29/358,997, filed on
Apr. 2, 2010, now Pat. No. Des. 643,844.

(51) **LOC (9) Cl.** **08-07**

(52) **U.S. Cl.** **D14/447**

(58) **Field of Classification Search** D14/447,
D14/451, 452, 373, 374, 375, 376, 432, 434,
D14/439, 448, 457, 126, 127, 129, 203.8,
D14/217, 224, 224.1, 238.1, 239, 251, 253;
D8/363, 373, 380; D6/406.1, 406.2, 406.3,
D6/406.4, 406.5, 406.6, 429, 462; 248/917-924,
248/441.1, 443, 445, 446, 447, 447.1, 453,
248/454, 455, 460, 463, 465.1, 472, 131,

248/150, 155.2, 155.4, 166, 434, 188.6, 346.3,
324; 361/679.02, 679.04, 679.06, 679.07,
679.09, 679.21, 679.26, 679.27, 679.3, 679.55,
379.56; 379/454, 455; 312/223.3

See application file for complete search history.

(56) **References Cited**

U.S. PATENT DOCUMENTS

D96,018 S 6/1935 Cannon

(Continued)

FOREIGN PATENT DOCUMENTS

GB 2074848 5/1998

OTHER PUBLICATIONS

Ryan Kairer, Palm Touchstone Kit Review, (<http://www.palminfocenter.com/news/9819/palm-touchstone-kit-review>), Jun. 5, 2009.

Primary Examiner — Angela J Lee

(74) *Attorney, Agent, or Firm* — Sterne, Kessler, Goldstein & Fox, P.L.L.C.

(57) **CLAIM**

The ornamental design for a stand, as shown and described.

DESCRIPTION

FIG. 1 is a top front perspective view of a stand showing our new design;

FIG. 2 is a bottom rear perspective view thereof;

FIG. 3 is a top plan view thereof;

FIG. 4 is a bottom plan view thereof;

FIG. 5 is a front view thereof;

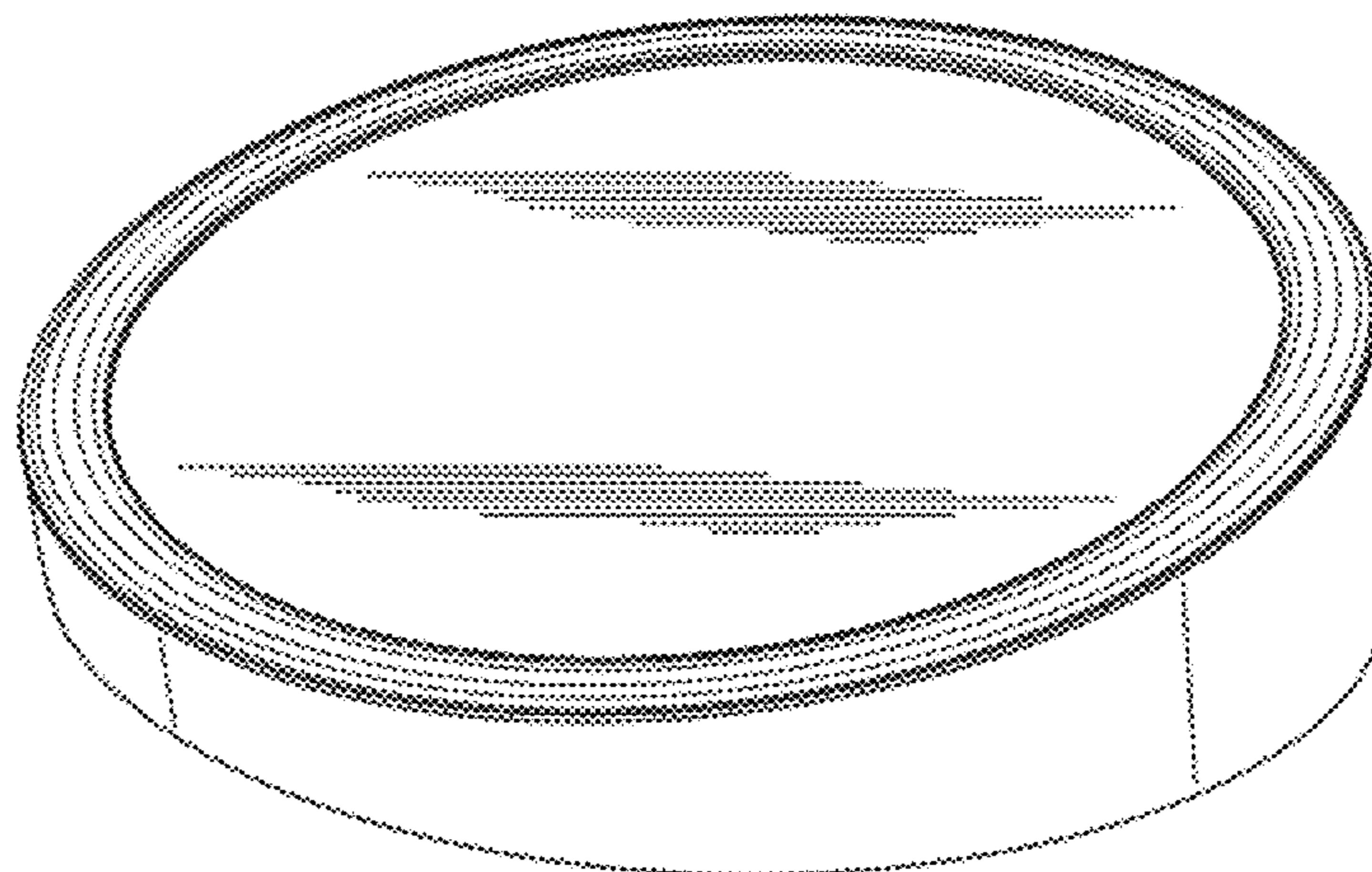
FIG. 6 is a rear view thereof;

FIG. 7 is a left view thereof; and,

FIG. 8 is a right view thereof.

FIGS. 1 through 8 show a stand, the body of which is opaque. The broken lines in the Figures show portions of the stand which form no part of the claimed design.

1 Claim, 5 Drawing Sheets



US D662,939 S

Page 2

U.S. PATENT DOCUMENTS

5,203,845	A	4/1993	Moore				
D452,509	S	12/2001	Allsop				
D474,189	S	5/2003	Andre et al.				
D508,458	S	8/2005	Solland et al.				
D516,025	S	2/2006	Quinn				
D552,597	S *	10/2007	Solland	D14/217		
D553,122	S	10/2007	Solland				
D553,123	S	10/2007	Solland				
D558,207	S	12/2007	Ikeda et al.				
D558,208	S	12/2007	Ikeda et al.				
D558,209	S	12/2007	Ikeda et al.				
D562,224	S *	2/2008	Bonnaud		D13/102	
D566,697	S *	4/2008	Nielsen et al.		D14/224	
D574,769	S	8/2008	Fisher et al.				
D585,898	S	2/2009	Skurdal				
D620,884	S *	8/2010	Lee et al.		D13/108	
D628,203	S	11/2010	Noble				
D640,976	S *	7/2011	Matsuoka		D13/108	
D643,844	S *	8/2011	Akana et al.		D14/447	
D645,047	S *	9/2011	Wike		D14/447	
D645,818	S *	9/2011	Guccione et al.		D13/108	

* cited by examiner

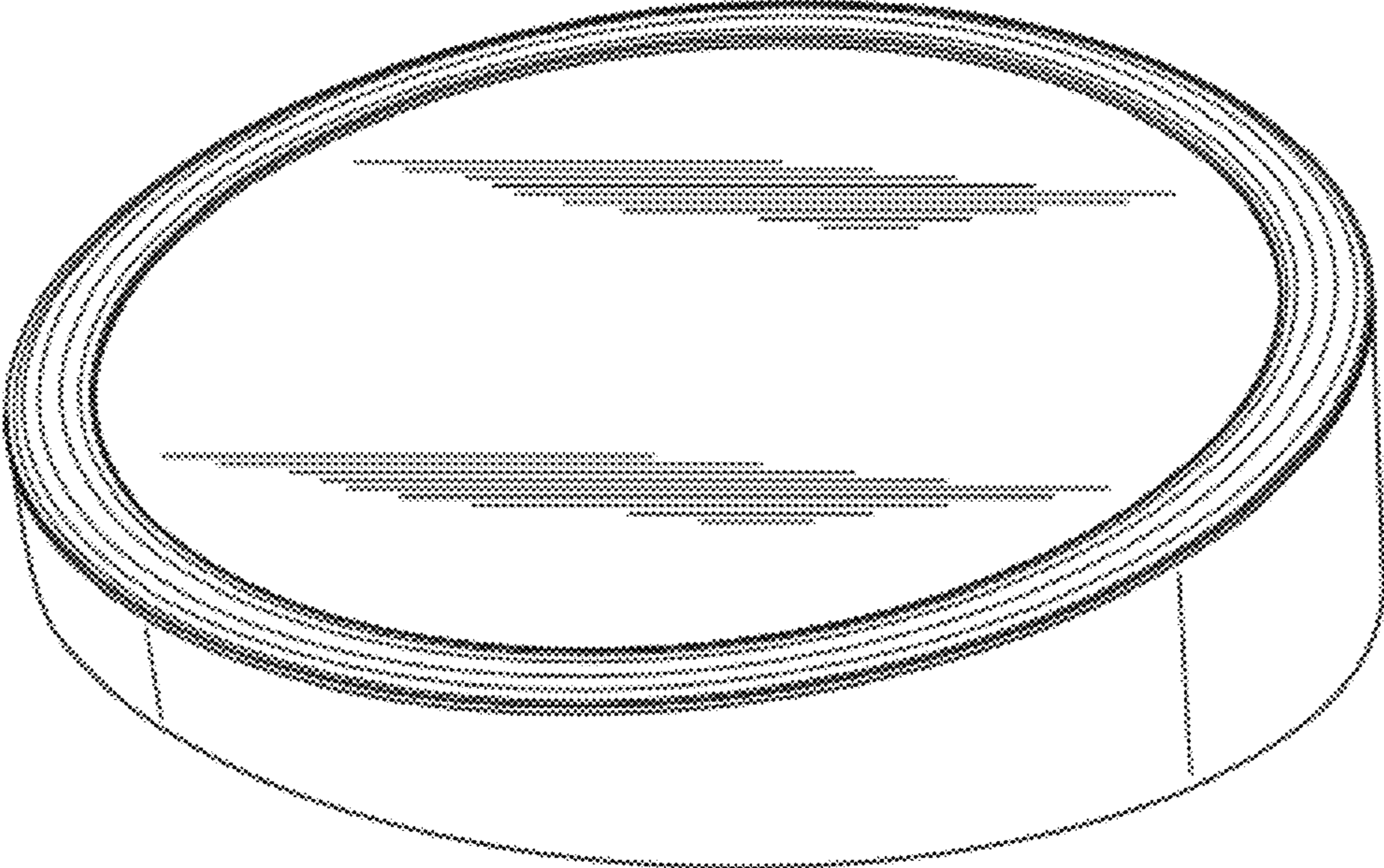


FIG. 1

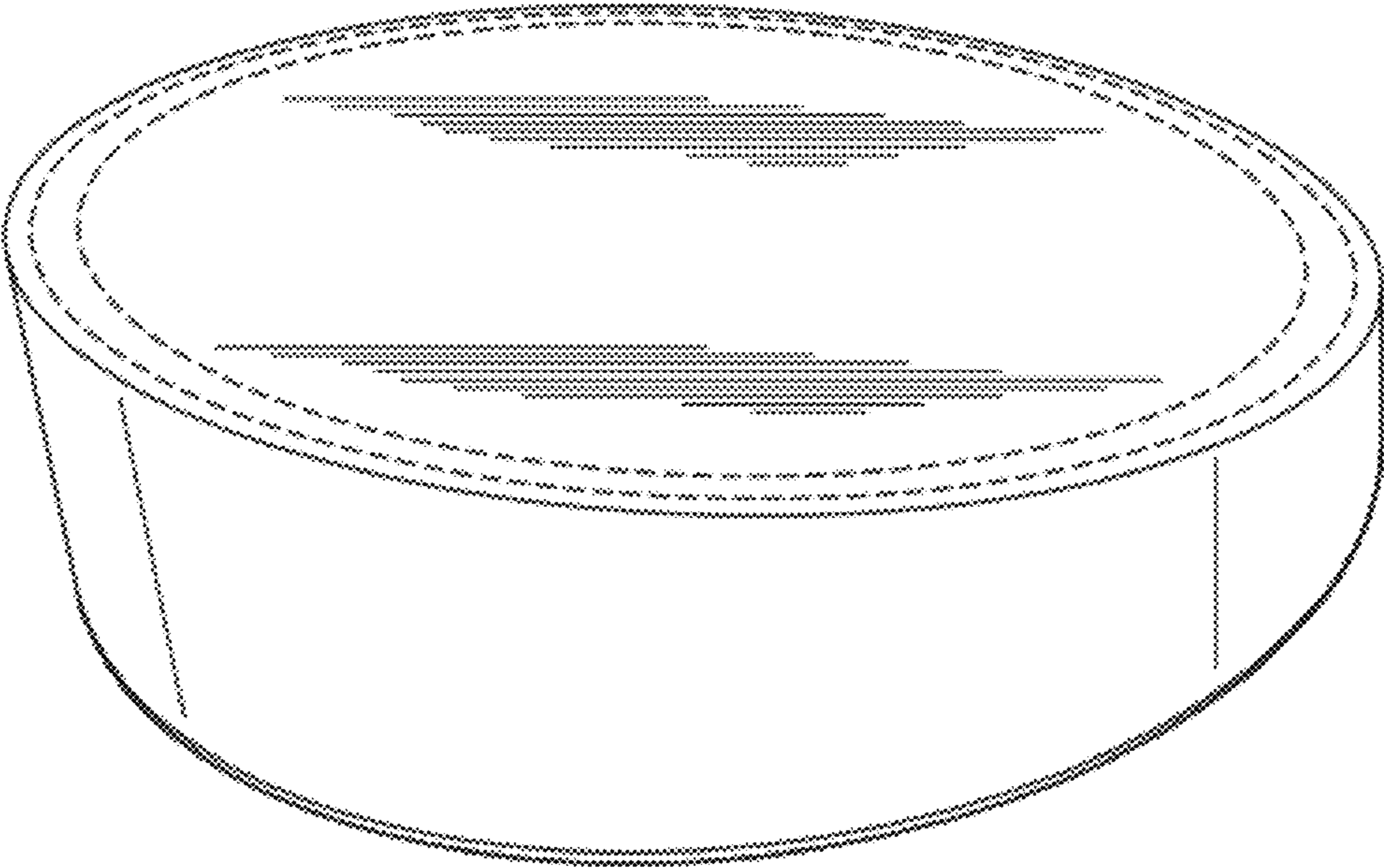


FIG. 2

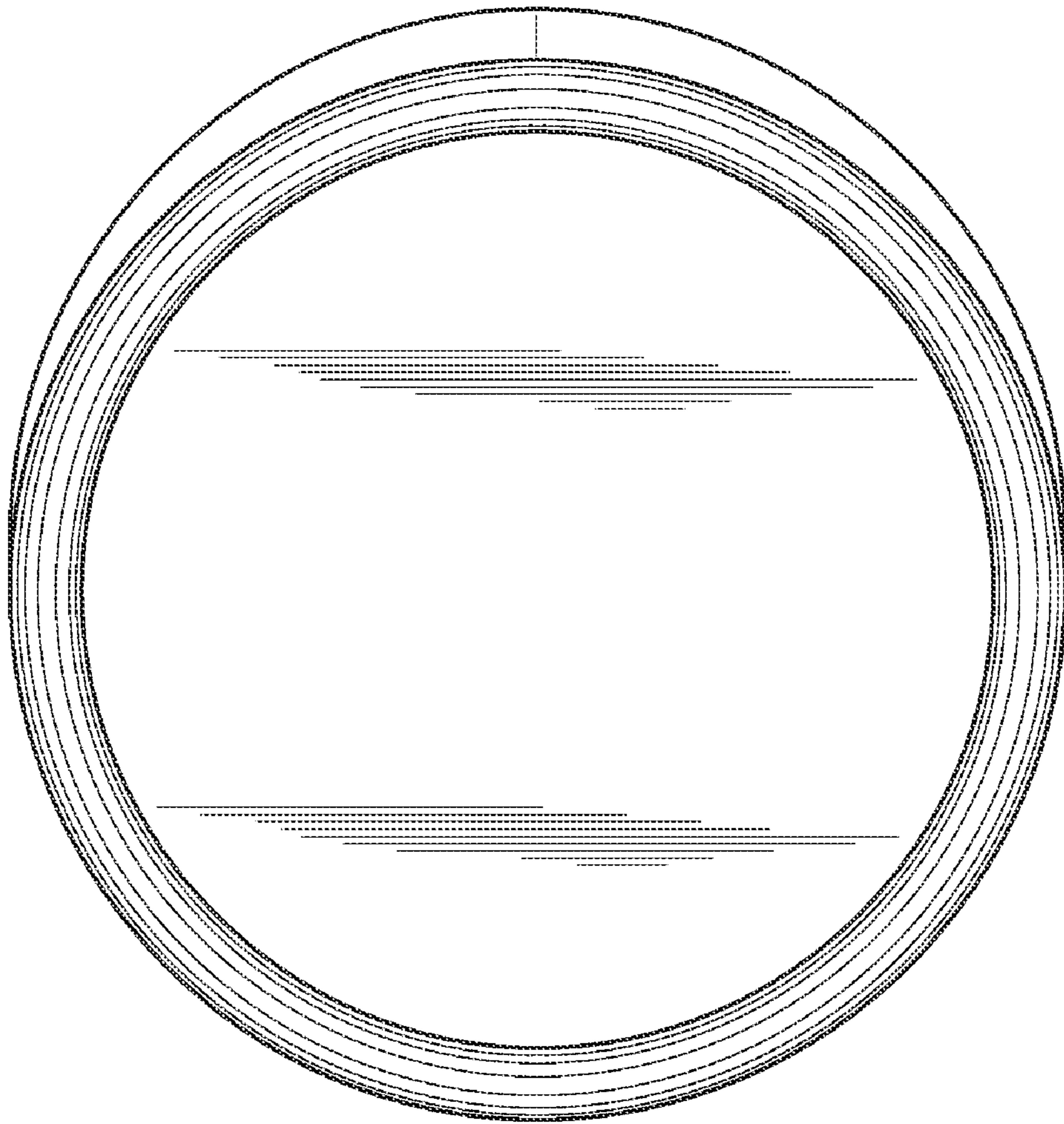


FIG. 3

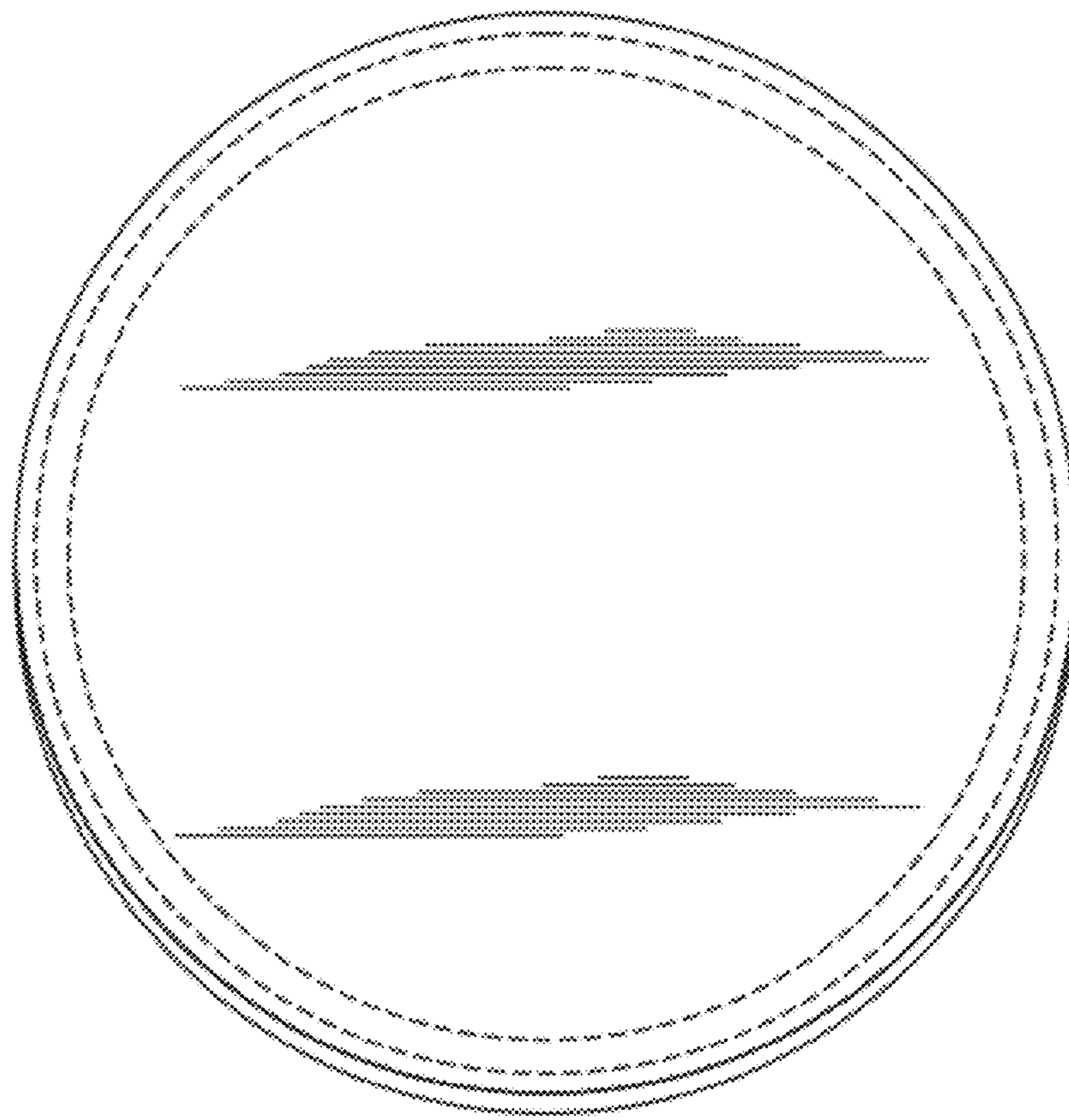


FIG. 4

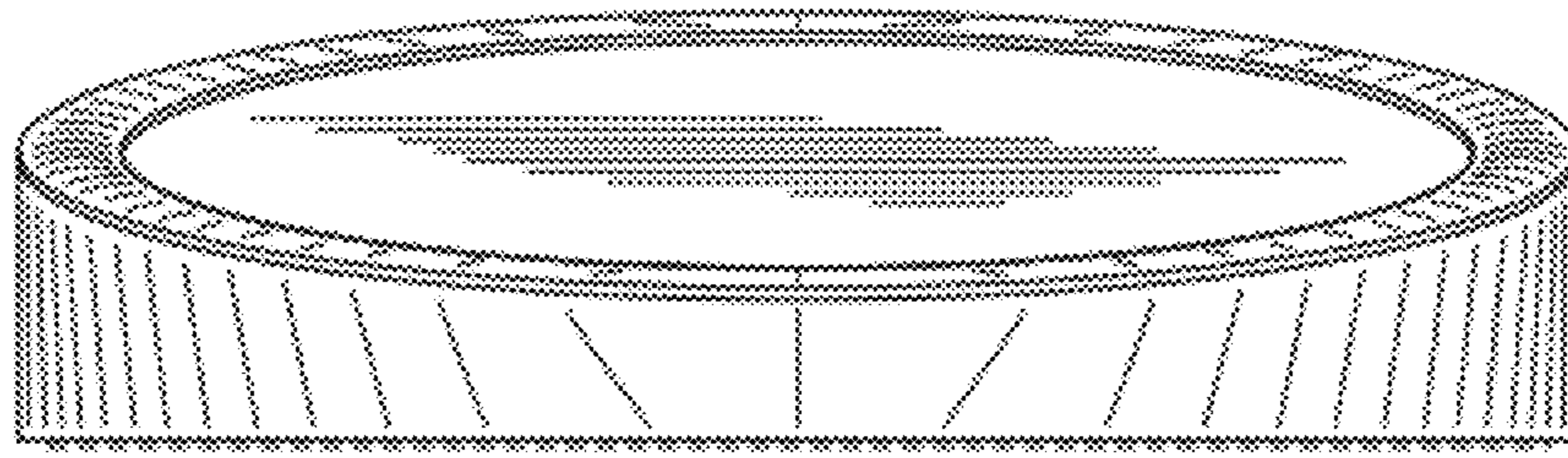


FIG. 5

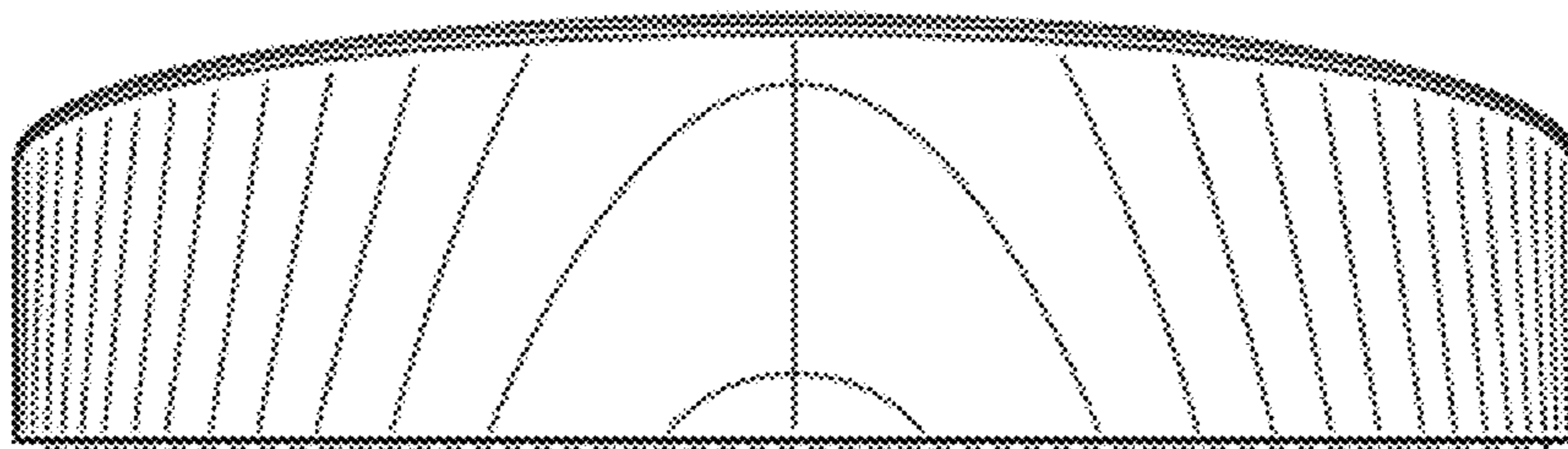


FIG. 6

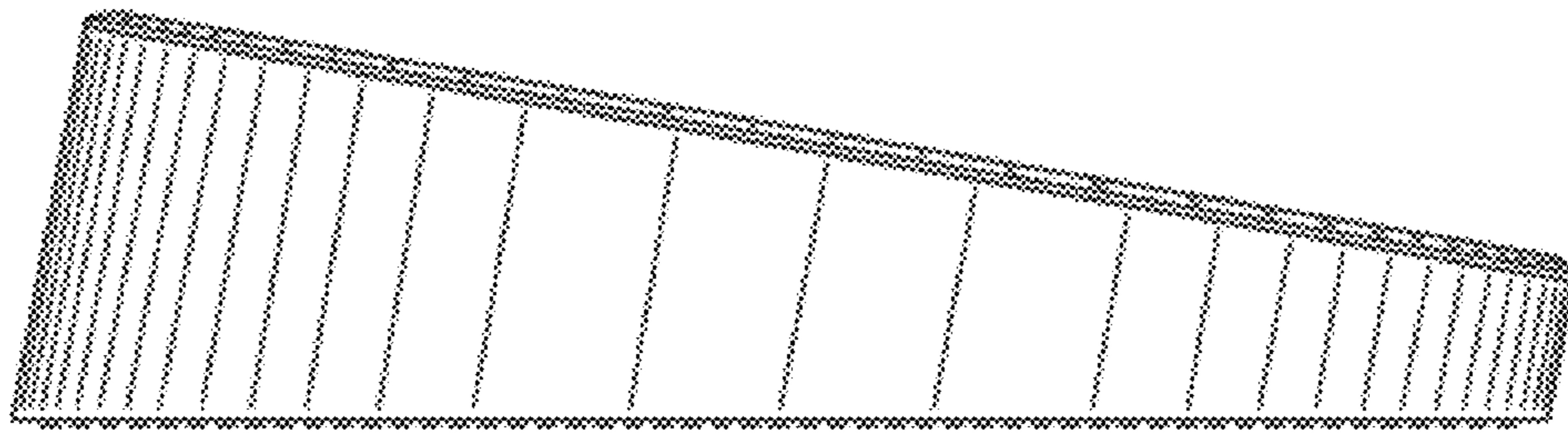


FIG. 7

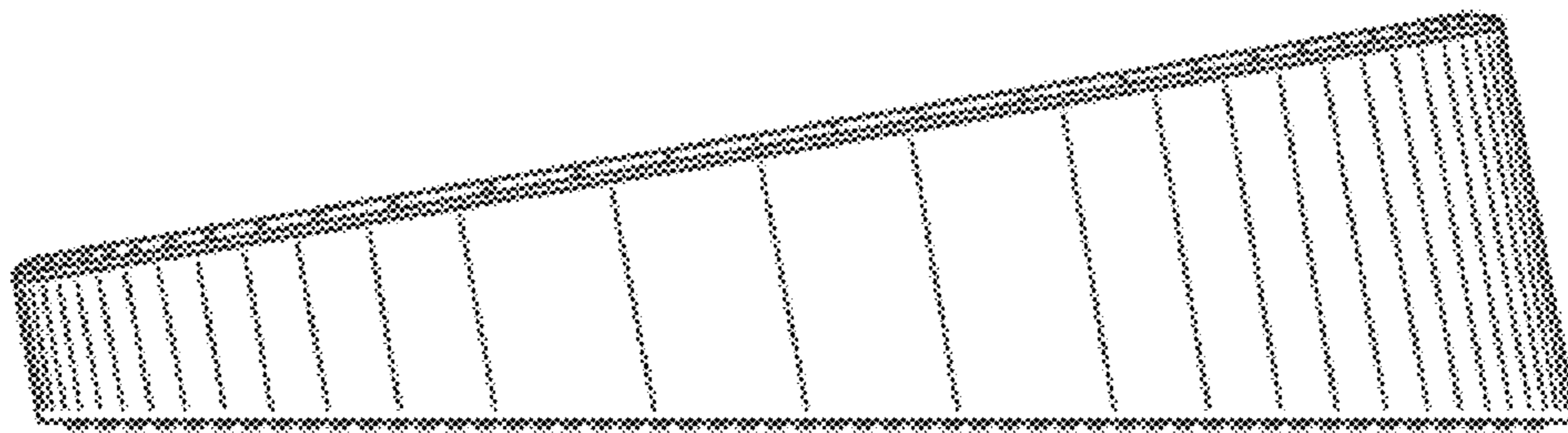


FIG. 8