



US00D662938S

(12) **United States Design Patent**  
**Marshall et al.**

(10) **Patent No.:** **US D662,938 S**

(45) **Date of Patent:** **\*\* Jul. 3, 2012**

(54) **DOCKING STATION**

(75) Inventors: **Michael Lewis Marshall**, Washington, DC (US); **Yenny Paola Moya**, Silver Spring, MD (US); **Paul Daniel Alston**, Stone Mountain, GA (US)

(73) Assignee: **inNuevo, LLC**, Washington, DC (US)

(\*\*) Term: **14 Years**

(21) Appl. No.: **29/403,701**

(22) Filed: **Oct. 10, 2011**

(51) **LOC (9) Cl.** ..... **14-02**

(52) **U.S. Cl.** ..... **D14/434**

(58) **Field of Classification Search** ..... D14/432-434, D14/314, 204, 420, 421, 447, 217, 358, 315, D14/327; D13/107, 108, 146; D8/373; 248/346.03, 248/176.1; 361/679.41, 679.31, 679.32, 361/679.4, 679.43, 679.55, 679.33; 320/109, 320/112-115; 710/15, 303; 455/557  
See application file for complete search history.

(56) **References Cited**

**U.S. PATENT DOCUMENTS**

D323,156 S	1/1992	Nishida	
D356,072 S	3/1995	Mundt	
D363,473 S *	10/1995	Leman	D14/434
D369,147 S	4/1996	Iino et al.	
5,638,257 A	6/1997	Kumar et al.	
5,826,840 A	10/1998	Yun	
5,966,284 A	10/1999	Youn et al.	
6,028,764 A	2/2000	Richardson et al.	
6,212,066 B1	4/2001	Fetterman	
D443,610 S	6/2001	Lo	
D456,802 S *	5/2002	Malson	D14/315
D466,897 S *	12/2002	Hata	D14/371
D491,933 S	6/2004	Guo	

D491,934 S *	6/2004	Shimano et al.	D14/318
6,744,627 B2 *	6/2004	Won et al.	361/679.57
6,912,125 B2 *	6/2005	Weng	361/679.41
6,937,468 B2	8/2005	Lin et al.	
6,961,239 B2 *	11/2005	Schedivy	361/679.29
6,976,799 B2	12/2005	Kim et al.	
7,025,274 B2	4/2006	Solomon et al.	
D521,002 S	5/2006	Rinna et al.	
D540,804 S *	4/2007	Hibino et al.	D14/434
D541,284 S *	4/2007	Hibino et al.	D14/434
7,298,610 B2	11/2007	Kim et al.	
7,440,275 B2 *	10/2008	Schedivy	361/679.41
D580,432 S	11/2008	Yun et al.	
D593,091 S	5/2009	Behar et al.	
D599,792 S	9/2009	Lin	

(Continued)

*Primary Examiner* — Freda S Nunn

(74) *Attorney, Agent, or Firm* — Law Office of Peter G. Korytnyk, PLLC

(57) **CLAIM**

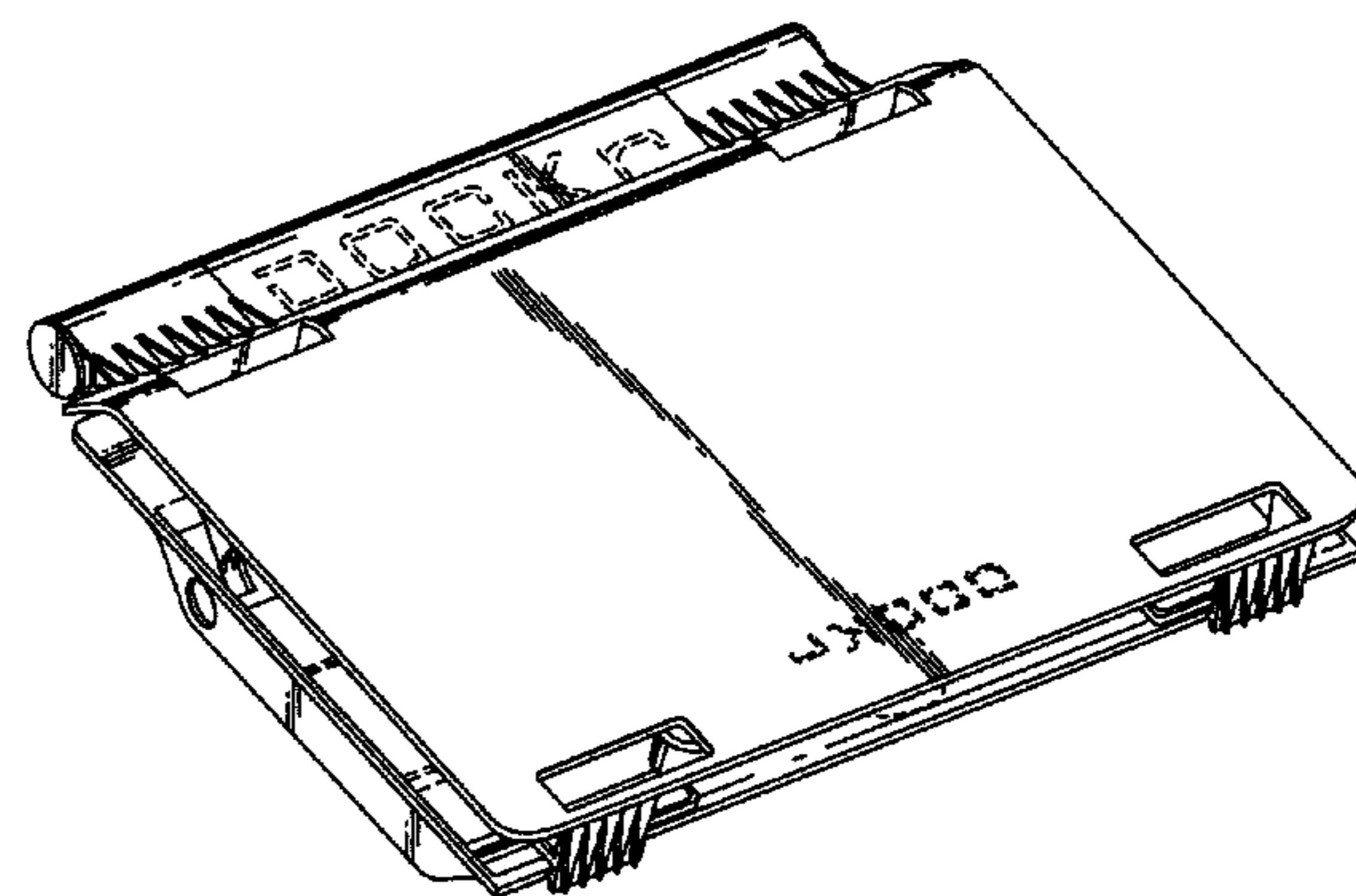
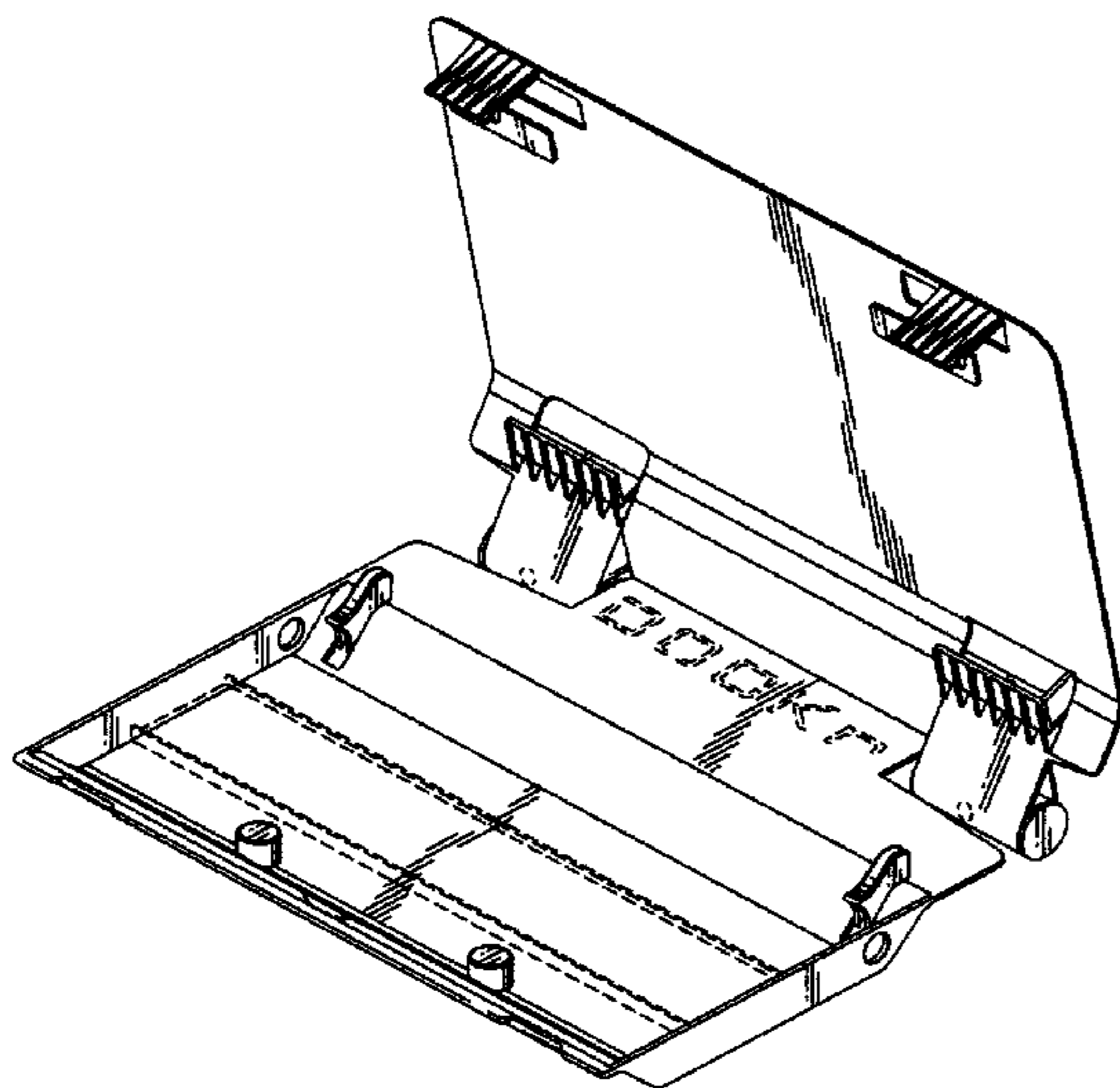
The ornamental design for a docking station, as shown and described.

**DESCRIPTION**

FIG. 1 is a front perspective view of the docking station in an open position according to the present teachings; FIG. 2 is a front view of the docking station; FIG. 3 is a rear view of the docking station; FIG. 4 is a left side view of the docking station; FIG. 5 is a right side view of the docking station; FIG. 6 is a top view of the docking station; FIG. 7 is a bottom view of the docking station; and, FIG. 8 is a front perspective view of the docking station in a closed position.

Broken lines shown in the drawings illustrate portions of the docking station and form no part of the claimed design.

**1 Claim, 7 Drawing Sheets**



# US D662,938 S

Page 2

---

U.S. PATENT DOCUMENTS								
7,618,065	B2	11/2009	Yau	7,924,559	B2 *	4/2011	Kuo	361/679.41
D611,467	S	3/2010	Gou	D643,842	S	8/2011	Marshall et al.	
D615,538	S	5/2010	Huang et al.	2002/0080567	A1	6/2002	Bone	
D621,405	S *	8/2010	Waite et al. .... D14/434	2003/0193316	A1 *	10/2003	Guo et al. ....	320/112
D626,129	S	10/2010	Lutz	2009/0194445	A1	8/2009	Mongan et al.	
D630,221	S	1/2011	Sogabe et al.	2011/0026749	A1	2/2011	Yaun	

\* cited by examiner

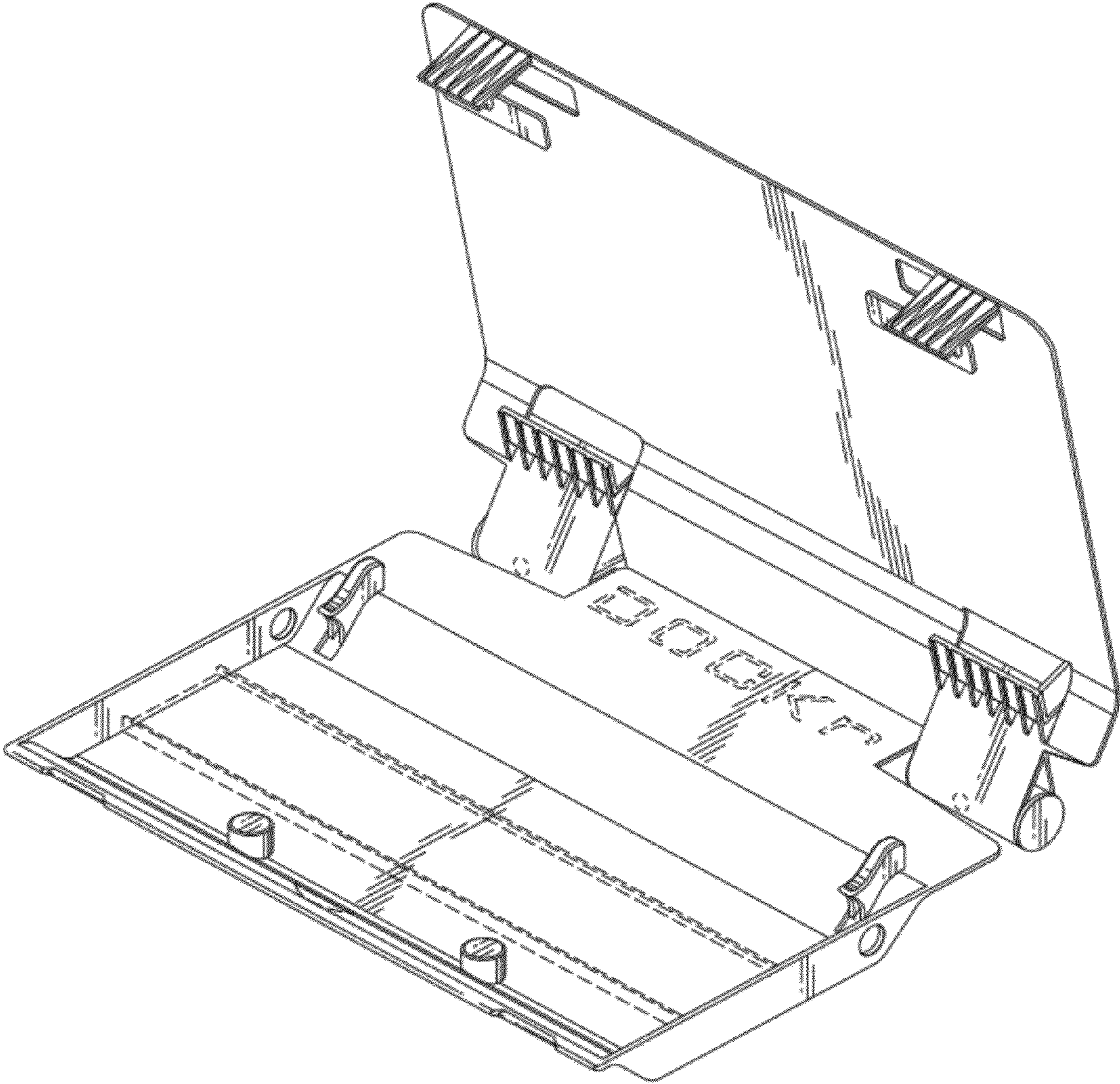


Fig. 1

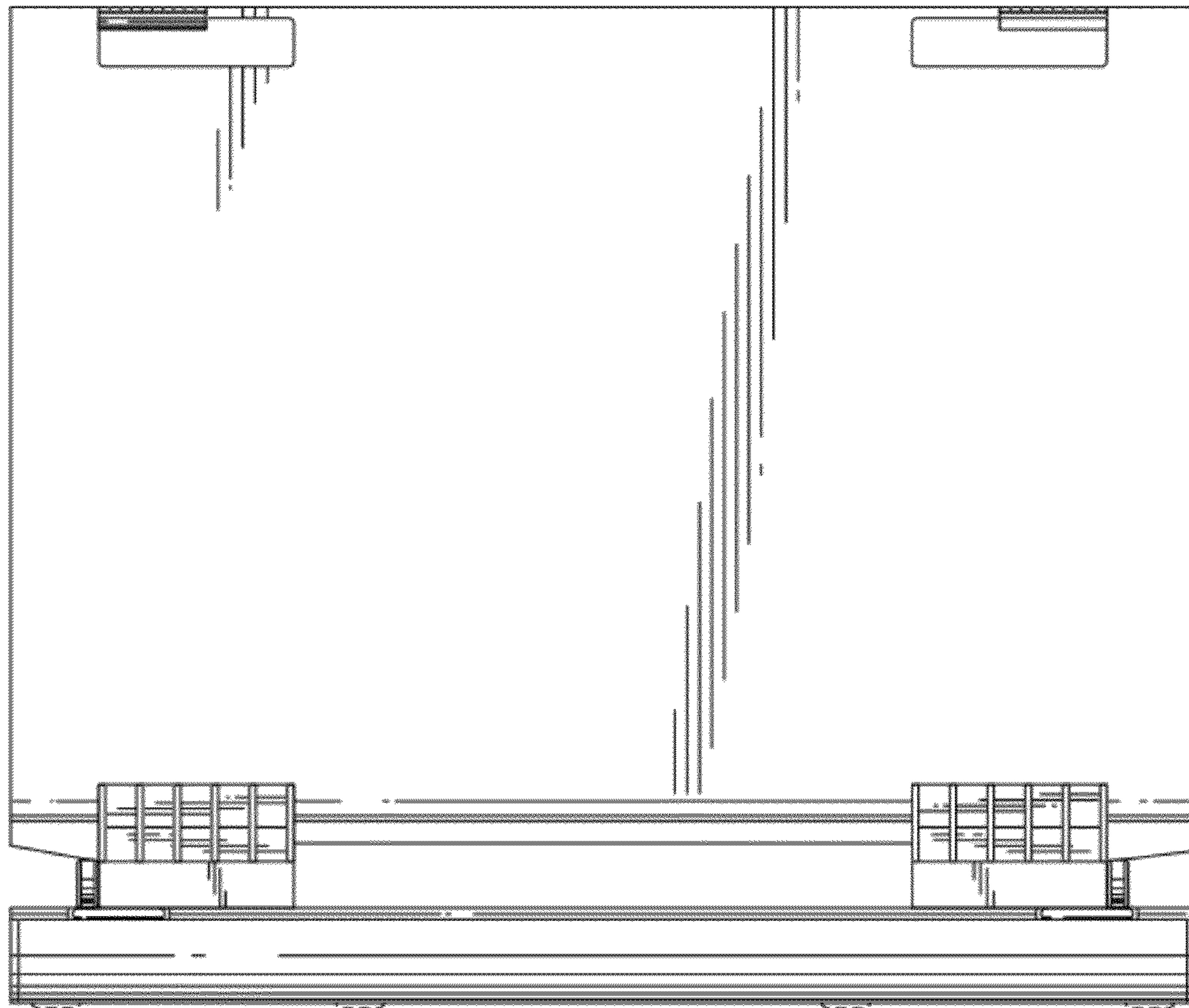


Fig. 2

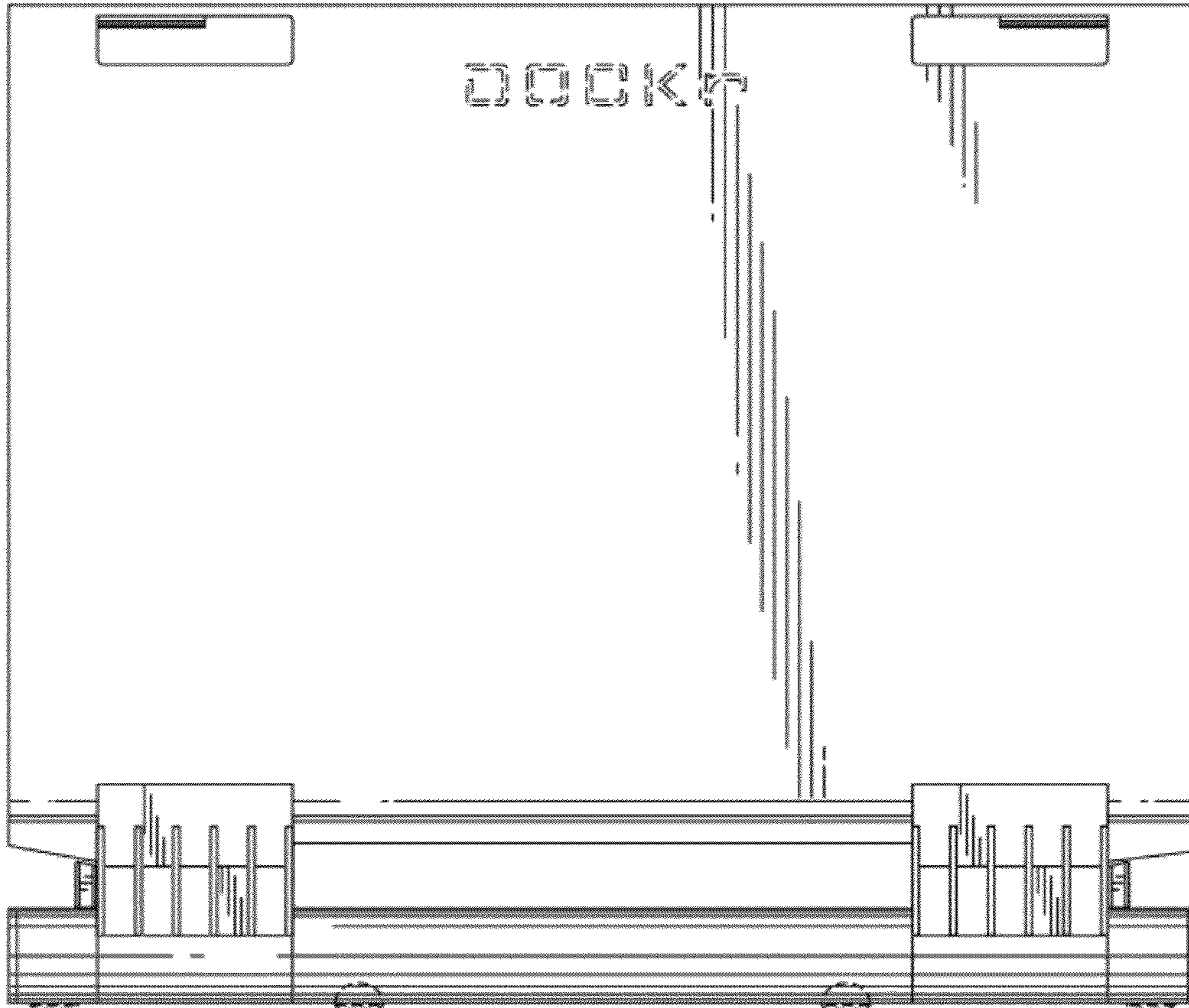


Fig. 3

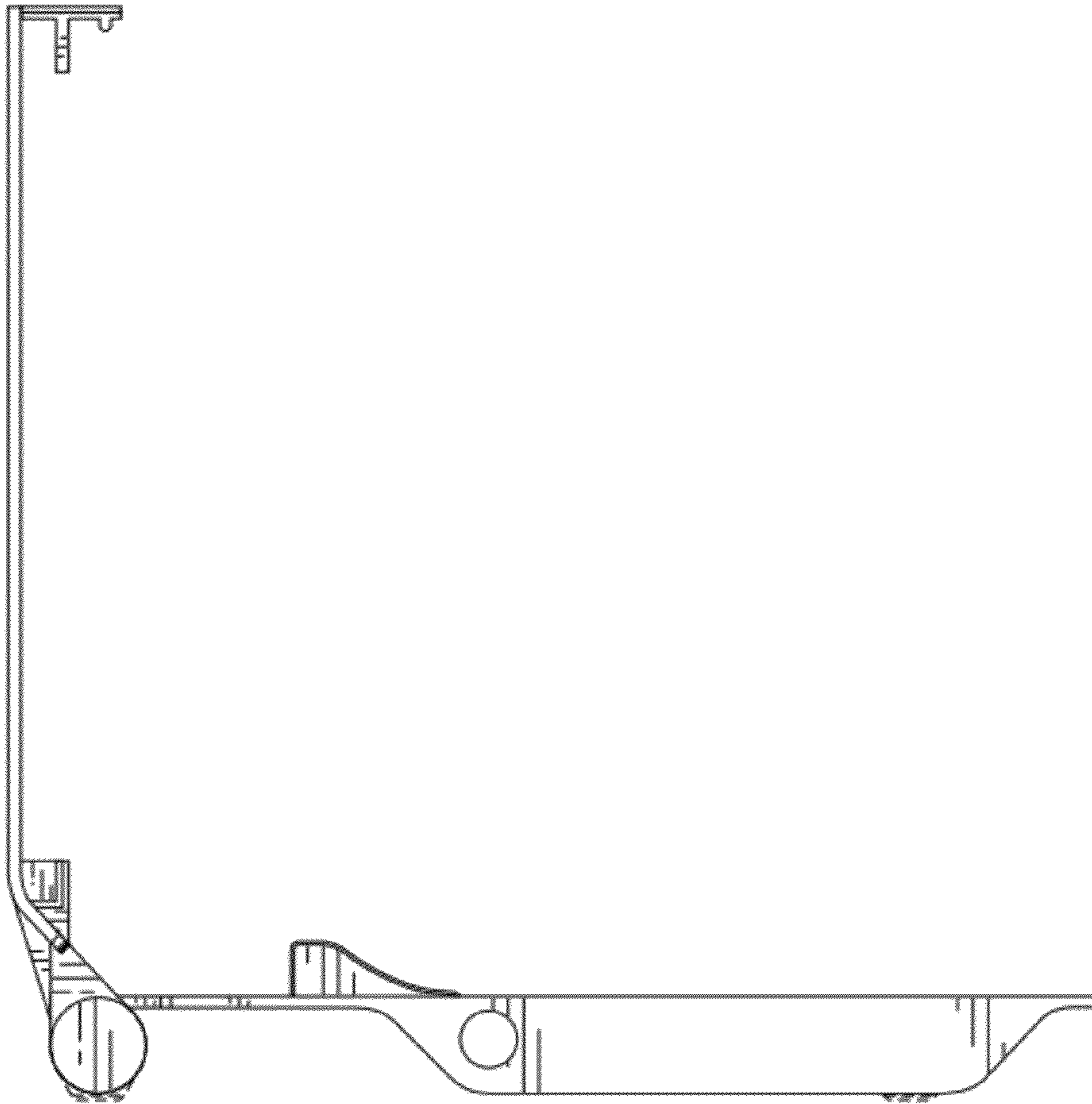


Fig. 4

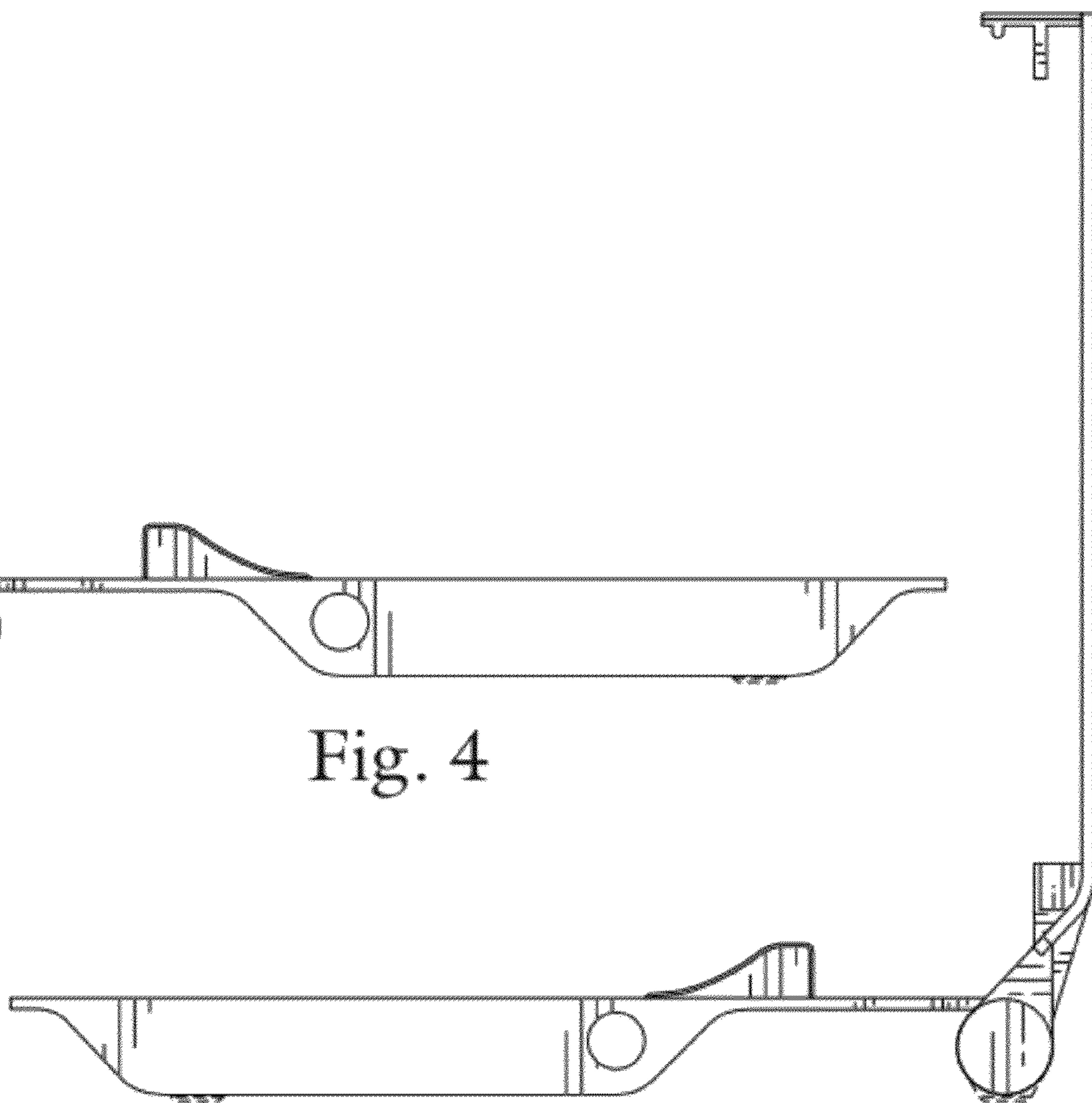


Fig. 5

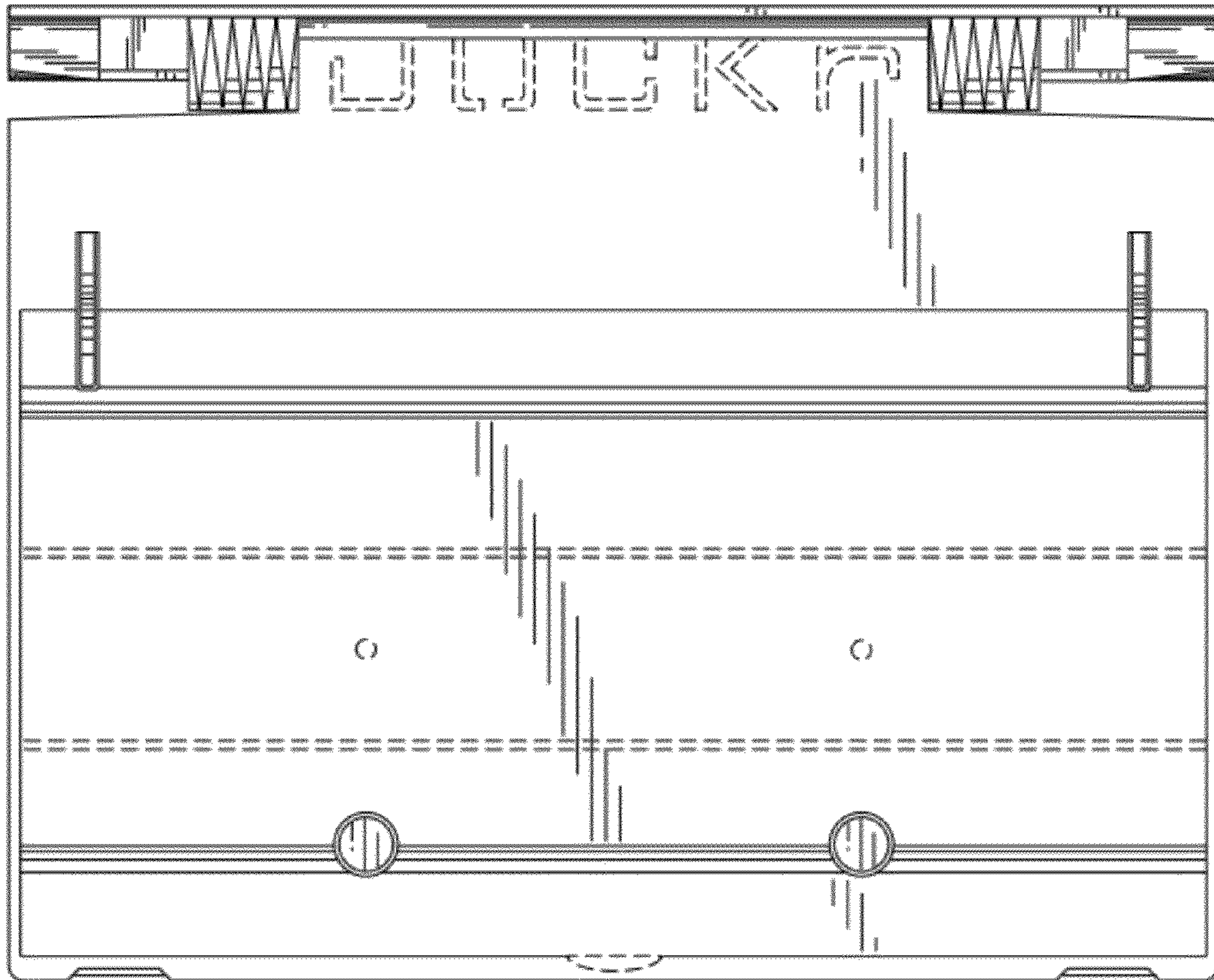


Fig. 6

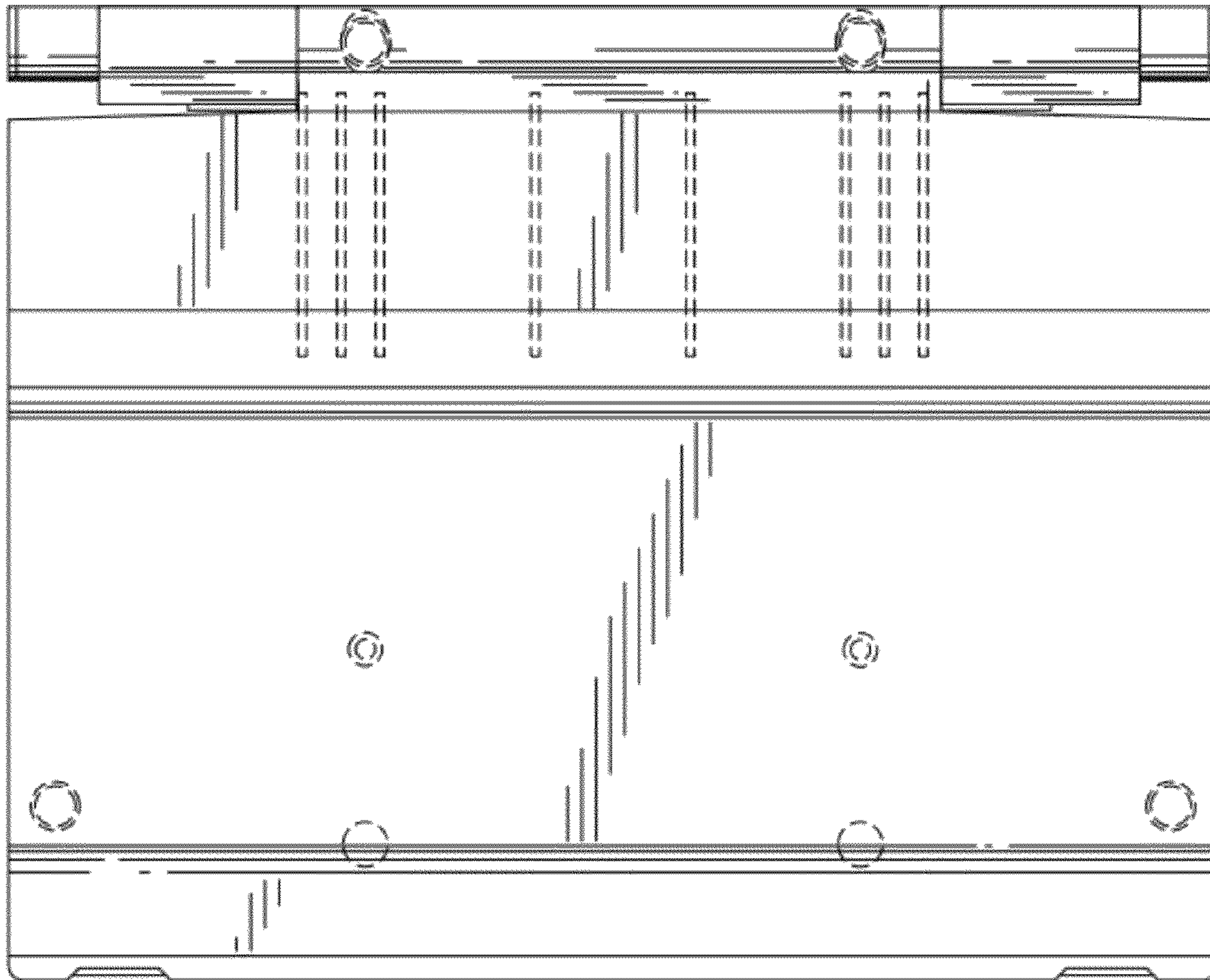


Fig. 7



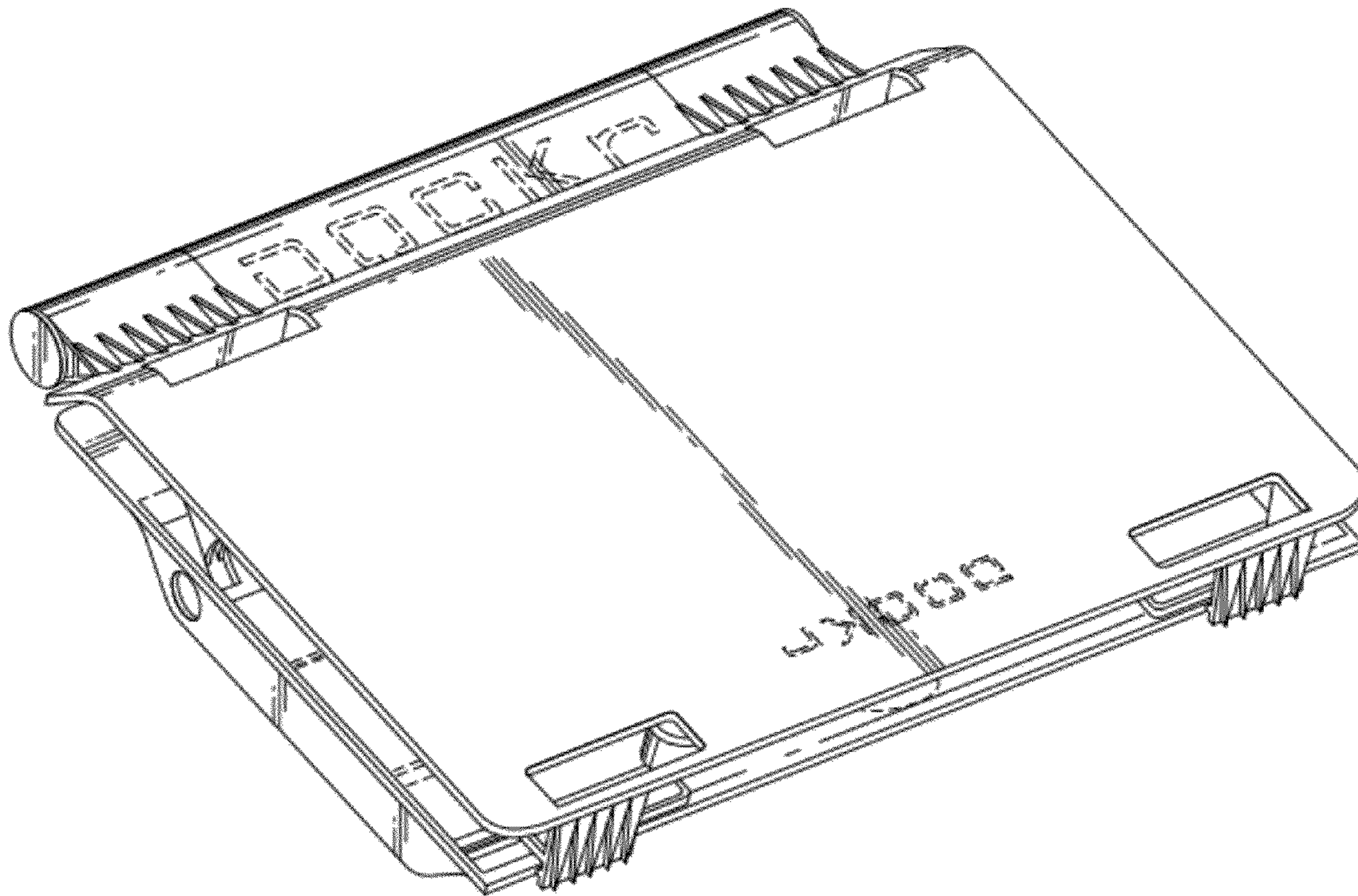


Fig. 8