

US00D662937S

(12) **United States Design Patent**  
**Lohman**

(10) **Patent No.:** **US D662,937 S**  
(45) **Date of Patent:** **\*\* Jul. 3, 2012**

(54) **FASTENING DEVICE FOR A CASE FOR ELECTRONIC EQUIPMENT**

(75) Inventor: **Bertil Lohman**, Sollentuna (SE)

(73) Assignee: **Clamco Invest AB**, Sollentuna (SE)

(\*\*) Term: **14 Years**

(21) Appl. No.: **29/407,545**

(22) Filed: **Nov. 30, 2011**

**Related U.S. Application Data**

(62) Division of application No. 29/360,361, filed on Apr. 23, 2010.

(30) **Foreign Application Priority Data**

Oct. 23, 2009 (EM) ..... 001627779

(51) **LOC (9) Cl.** ..... **14-02**

(52) **U.S. Cl.** ..... **D14/432; D8/382**

(58) **Field of Classification Search** ..... D14/300,  
D14/301, 308, 311, 313, 432, 433, 439, 441-446,  
D14/299; 312/294, 297, 317.1, 223.1-223.3;  
361/679.02, 679.57, 697.58, 724-726, 807;  
174/51, 350, 354, 375, 377; D8/382, 394,  
D8/499

See application file for complete search history.

(56) **References Cited**

**U.S. PATENT DOCUMENTS**

D264,046 S \* 4/1982 **Magner** ..... D8/382  
D264,048 S \* 4/1982 **Magner** ..... D8/382  
D334,815 S \* 4/1993 **Bunger** ..... D25/113  
D388,074 S \* 12/1997 **Laituri et al.** ..... D14/442  
6,288,892 B1 \* 9/2001 **Lanz et al.** ..... 361/679.58  
D472,729 S \* 4/2003 **Udommahuntisuk** ..... D6/407  
D480,086 S \* 9/2003 **Searby et al.** ..... D14/444  
6,628,518 B2 \* 9/2003 **Behl et al.** ..... 361/679.47

D483,200 S \* 12/2003 **Udommahuntisuk** ..... D6/407  
D490,083 S \* 5/2004 **Wu** ..... D14/439  
6,863,188 B2 \* 3/2005 **Besserer et al.** ..... 211/183  
D525,969 S \* 8/2006 **Sugihara et al.** ..... D14/301  
D555,161 S \* 11/2007 **Cox et al.** ..... D14/445  
D566,119 S \* 4/2008 **Dearborn et al.** ..... D14/446  
D588,601 S \* 3/2009 **Wang et al.** ..... D14/445  
D629,807 S \* 12/2010 **Vaughan** ..... D14/446  
D629,920 S \* 12/2010 **Tezak et al.** ..... D25/114  
D635,584 S \* 4/2011 **Ohno** ..... D14/500  
2004/0036388 A1 \* 2/2004 **Liljevik et al.** ..... 312/257.1  
2004/0228083 A1 \* 11/2004 **Wang et al.** ..... 361/683  
2007/0044408 A1 \* 3/2007 **Hsu** ..... 52/506.05  
2008/0314611 A1 \* 12/2008 **Beck** ..... 174/51  
2009/0136194 A1 \* 5/2009 **Barnes** ..... 385/135  
2011/0175501 A1 \* 7/2011 **Peng et al.** ..... 312/223.1

**FOREIGN PATENT DOCUMENTS**

WO WO2011049527 \* 4/2011

\* cited by examiner

*Primary Examiner* — Deanna L Fluegeman

(74) *Attorney, Agent, or Firm* — Young & Thompson

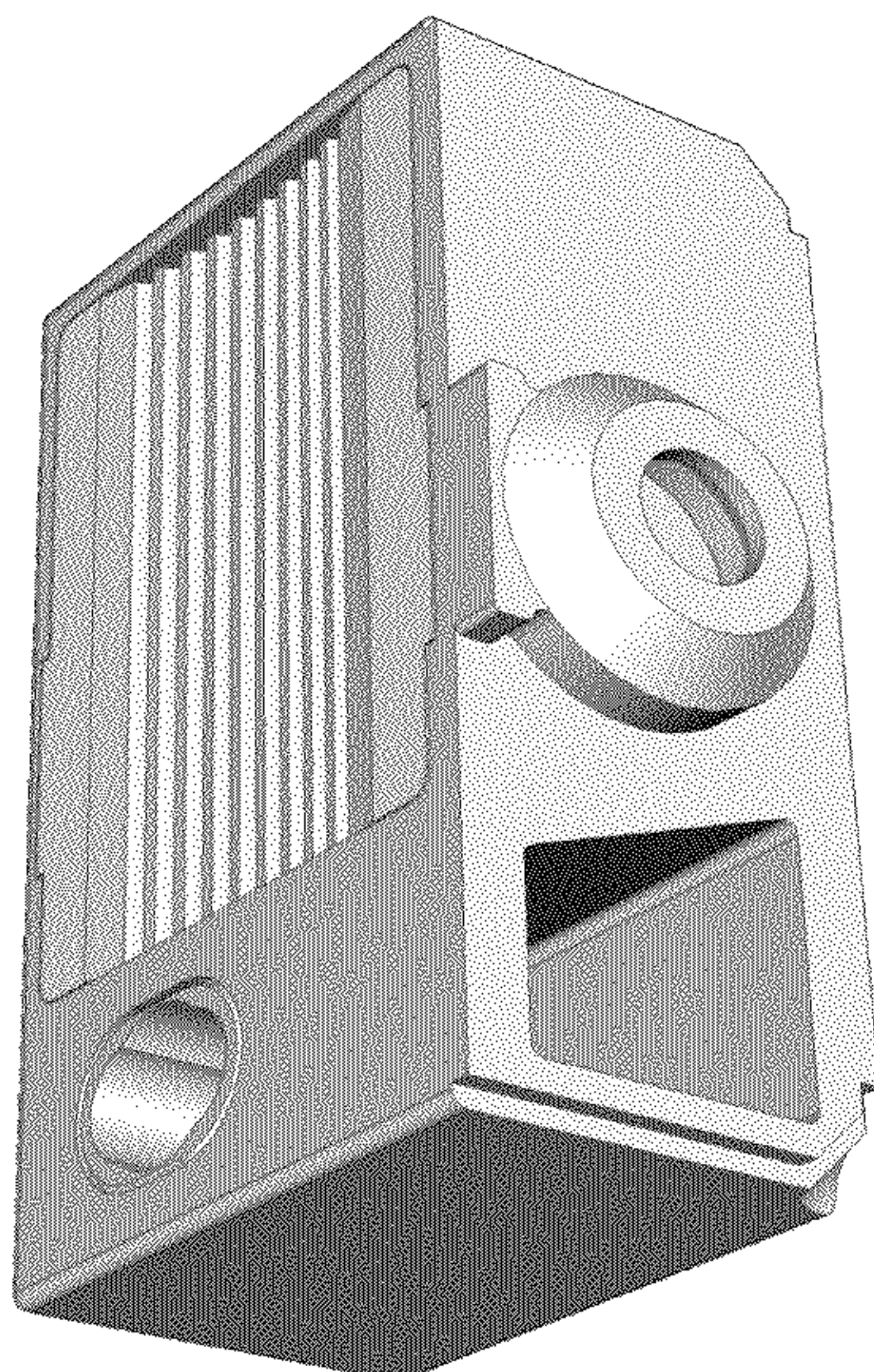
(57) **CLAIM**

The ornamental design for a fastening device for a case for electronic equipment, as shown.

**DESCRIPTION**

FIG. 1 is a bottom plan view of a fastening device for a case for electronic equipment showing my new design;  
FIG. 2 is a top plan view thereof;  
FIG. 3 is a front elevation view thereof;  
FIG. 4 is a left side elevation view thereof;  
FIG. 5 is a right side elevation view thereof;  
FIG. 6 is a rear, left side, and bottom perspective view thereof;  
and,  
FIG. 7 is a front, top, right side perspective view thereof.  
The tonal shading in the drawings is included for the purpose of illustrating the surface contours of the claimed design and forms no part thereof.

**1 Claim, 7 Drawing Sheets**





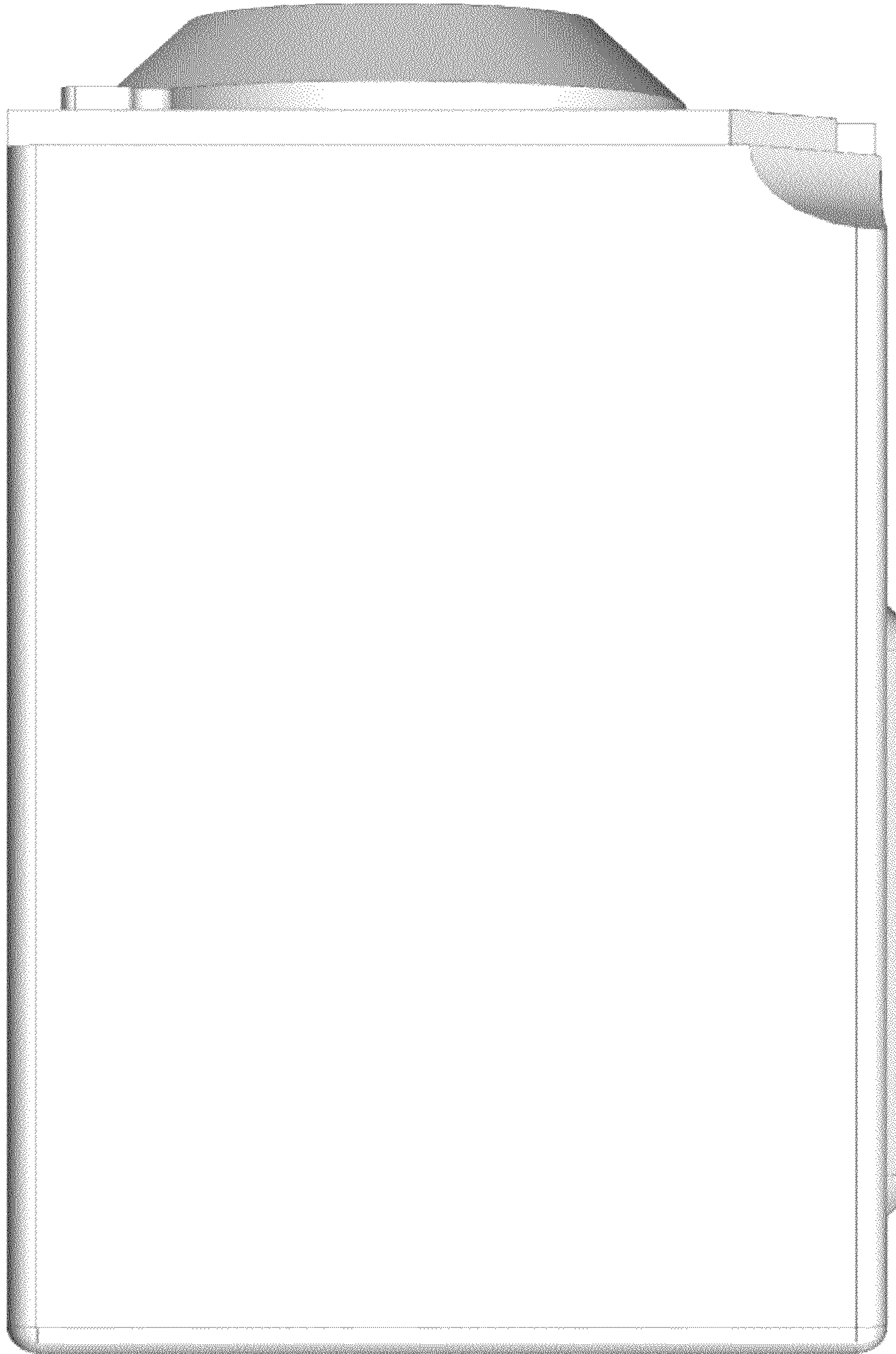


Figure 1



Figure 2



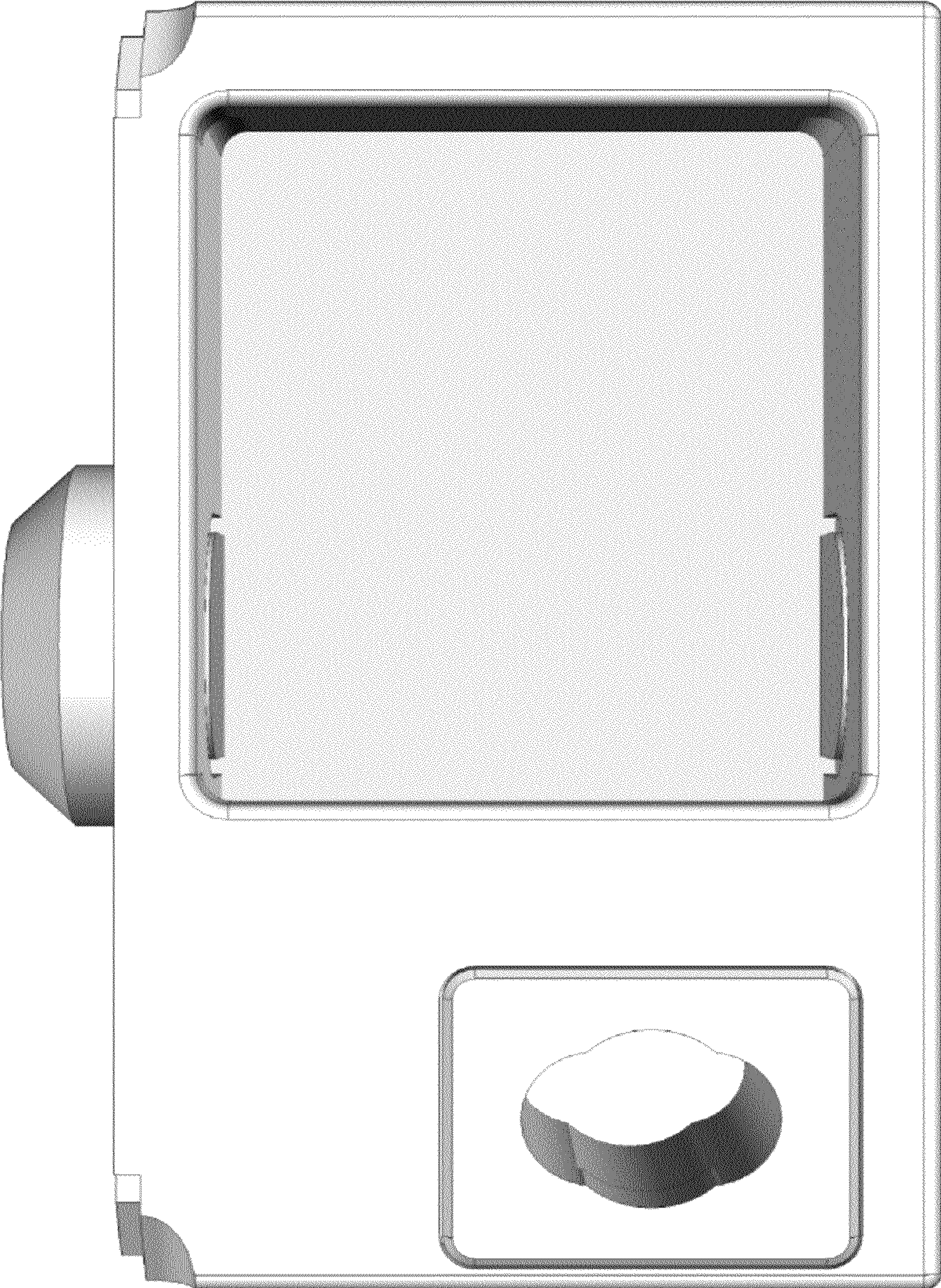


Figure 3



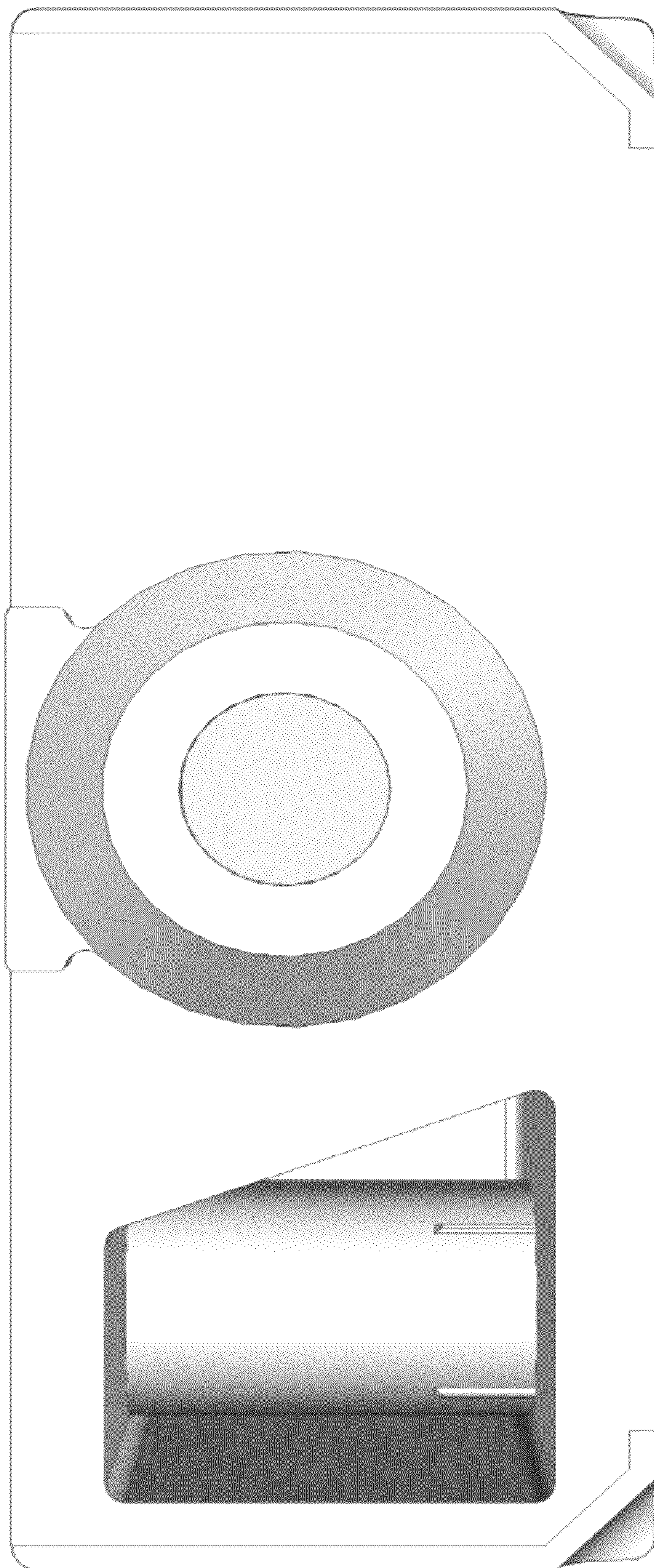


Figure 4



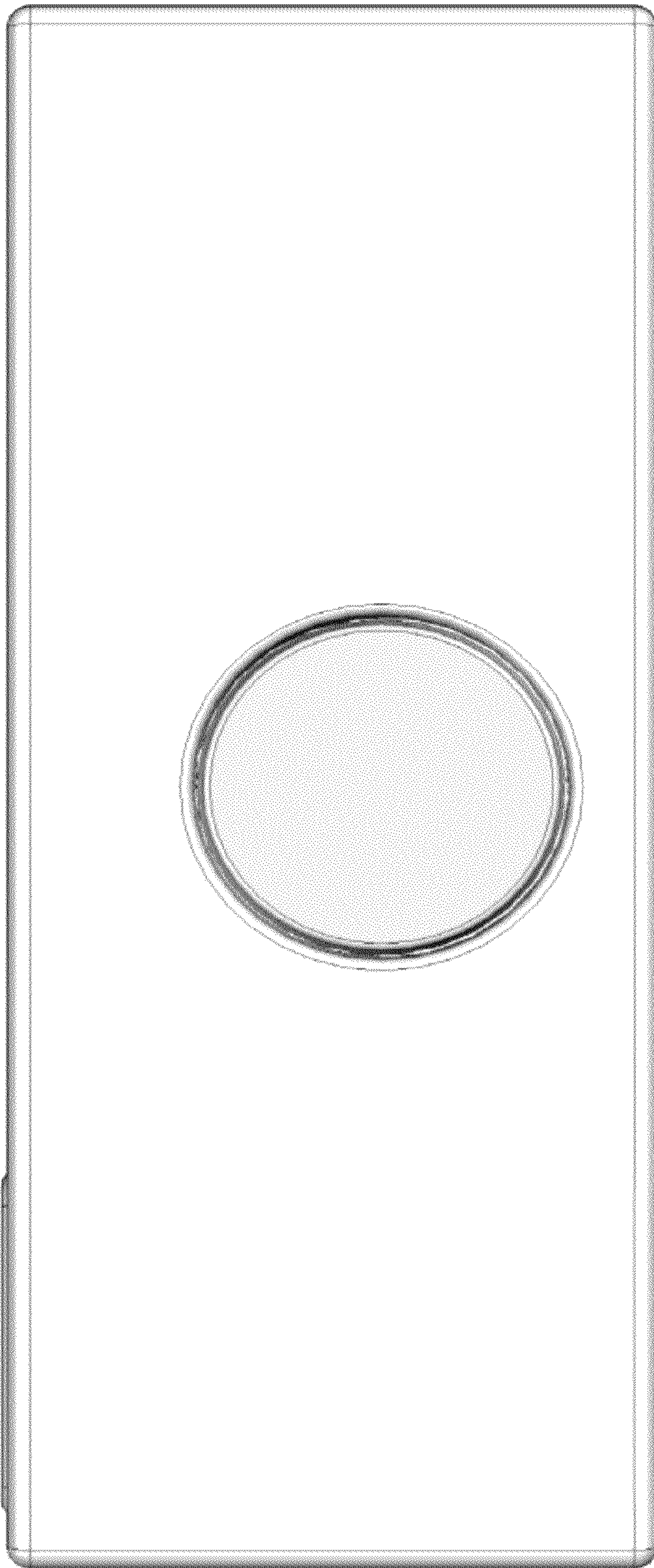


Figure 5



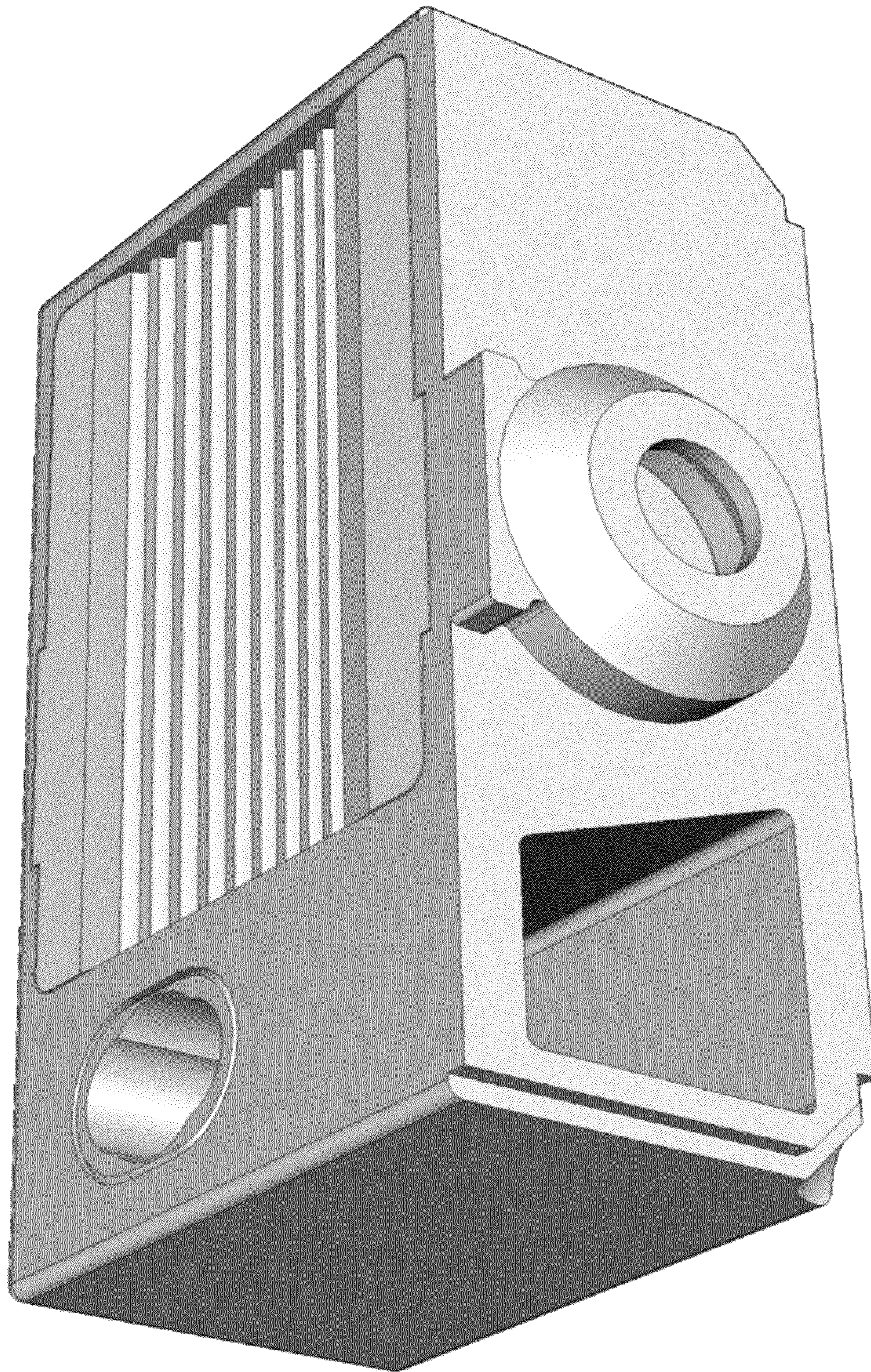


Figure 6



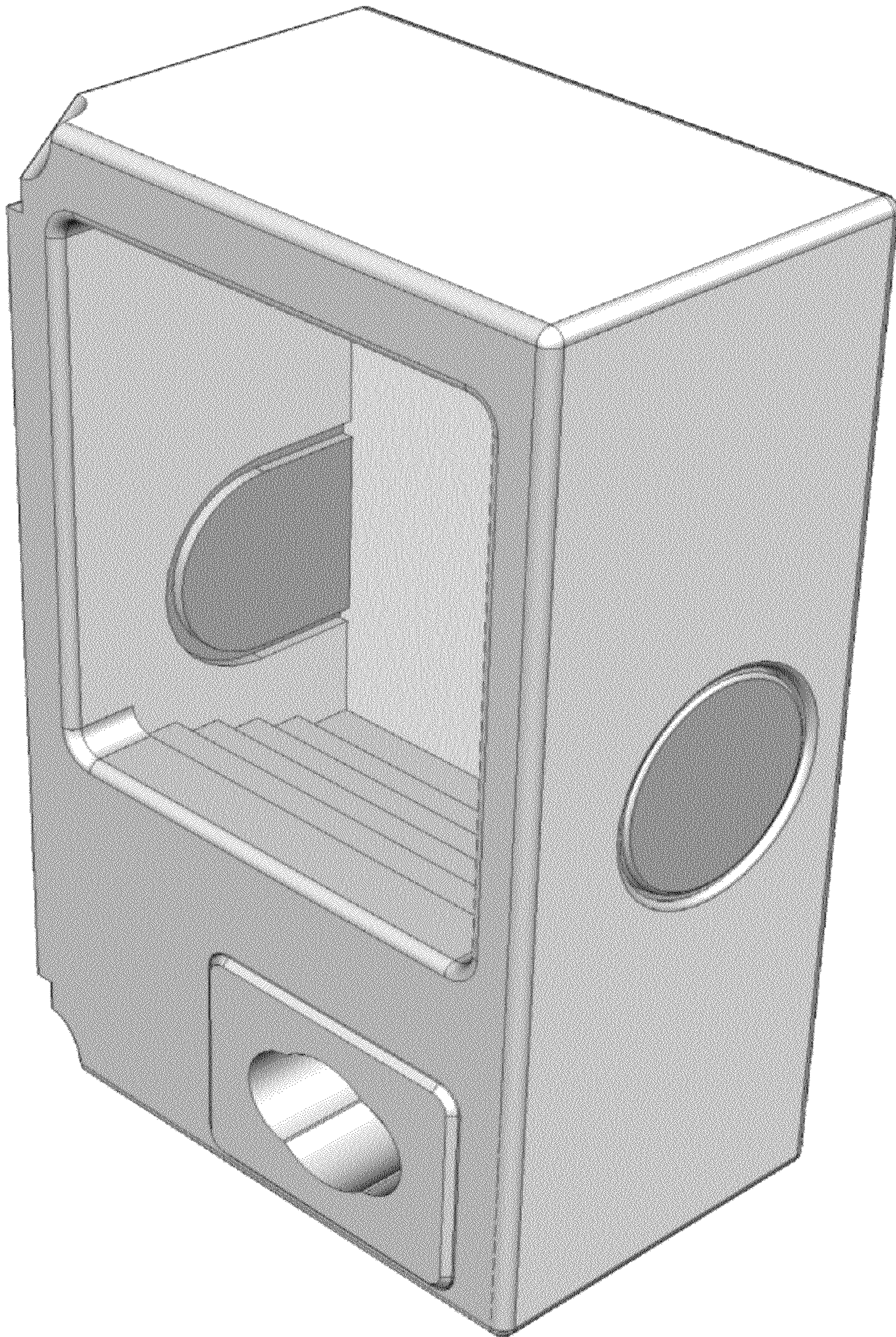


Figure 7