



US00D662935S

(12) **United States Design Patent**
Andre et al.

(10) **Patent No.:** **US D662,935 S**
(45) **Date of Patent:** **** Jul. 3, 2012**

(54) **KEYBOARD**

(75) Inventors: **Bartley K. Andre**, Menlo Park, CA (US); **Daniel J. Coster**, San Francisco, CA (US); **Daniele De Iuliis**, San Francisco, CA (US); **Richard P. Howarth**, San Francisco, CA (US); **Jonathan P. Ive**, San Francisco, CA (US); **Steve Jobs**, Palo Alto, CA (US); **Duncan Robert Kerr**, San Francisco, CA (US); **Shin Nishibori**, Portola Valley, CA (US); **Matthew Dean Rohrbach**, San Francisco, CA (US); **Peter Russell-Clarke**, San Francisco, CA (US); **Douglas B. Satzger**, Menlo Park, CA (US); **Calvin Q. Seid**, Palo Alto, CA (US); **Vincent Keane Seid**, legal representative, Los Gatos, CA (US); **Christopher J. Stringer**, Woodside, CA (US); **Eugene Antony Whang**, San Francisco, CA (US); **Rico Zorkendorfer**, San Francisco, CA (US)

(73) Assignee: **Apple Inc.**, Cupertino, CA (US)

(**) Term: **14 Years**

(21) Appl. No.: **29/393,108**

(22) Filed: **May 31, 2011**

Related U.S. Application Data

(60) Continuation of application No. 29/383,276, filed on Jan. 14, 2011, now Pat. No. Des. 640,695, which is a continuation of application No. 29/361,553, filed on May 12, 2010, now Pat. No. Des. 633,498, which is a continuation of application No. 29/342,814, filed on Sep. 1, 2009, now Pat. No. Des. 616,886, which is a division of application No. 29/289,877, filed on Aug. 2, 2007, now Pat. No. Des. 604,300.

(51) **LOC (9) Cl.** **14-02**

(52) **U.S. Cl.** **D14/392**

(58) **Field of Classification Search** D14/391–399, D14/336; D18/1, 2, 7; 178/17 A, 17 C; 200/5 A, 200/5 R, 6 A, 6 R; 235/145 A, 145 R; 345/160, 345/168, 169, 173; 341/22, 23; 400/484–489, 400/492; 361/679.08–679.19
See application file for complete search history.

(56) **References Cited**

U.S. PATENT DOCUMENTS

D335,660 S 5/1993 Busch
(Continued)

OTHER PUBLICATIONS

Sony X505 Keyboard, available at least as early as May 8, 2005.

(Continued)

Primary Examiner — Freda S Nunn

(74) *Attorney, Agent, or Firm* — SAIDMAN DesignLaw Group

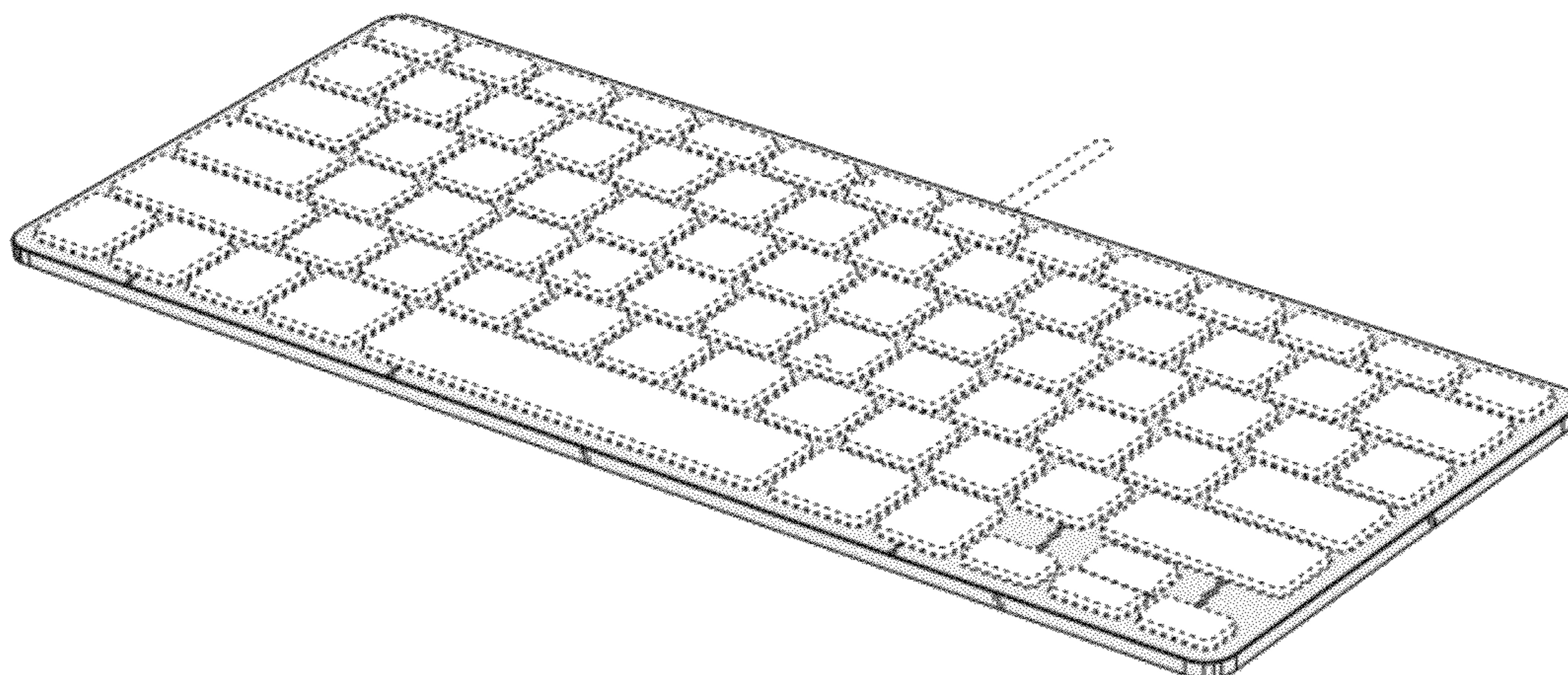
(57) **CLAIM**

The ornamental design for a keyboard, as shown and described.

DESCRIPTION

FIG. 1 is a top, perspective view of a keyboard showing our new design;
FIG. 2 is a front view thereof;
FIG. 3 is rear view thereof;
FIG. 4 is a left-side view thereof;
FIG. 5 is a right-side view thereof;
FIG. 6 is a top view thereof;
FIG. 7 is a bottom view thereof; and,
FIG. 8 is a bottom, perspective view thereof.
The broken lines are for the purpose of illustrating portions of the keyboard and form no part of the claimed design. The gray shading represents a metallic-looking surface.

1 Claim, 6 Drawing Sheets



US D662,935 S

Page 2

U.S. PATENT DOCUMENTS

D346,161 S 4/1994 Oh et al.
D348,875 S 7/1994 Wang
5,717,430 A 2/1998 Copland et al.
D436,951 S 1/2001 Andresen
D445,793 S 7/2001 Ji
D446,520 S 8/2001 Ji
D454,566 S 3/2002 Andre et al.
D485,271 S 1/2004 Kamegi
D543,544 S 5/2007 Cheng
D556,758 S 12/2007 Nguyen et al.
D558,753 S 1/2008 Andre et al.
D572,246 S 7/2008 Andre et al.
D574,378 S 8/2008 Andre et al.
D612,843 S 3/2010 Andre et al.

D612,844 S 3/2010 Andre et al.
D616,886 S 6/2010 Andre et al.
D633,498 S * 3/2011 Andre et al. D14/392

OTHER PUBLICATIONS

Sony VAIO PCG-4G1L, available at least as early as May 8, 2006.
U.S. Appl. No. 29/361,525 entitled "Electronic Device", filed May 12, 2010.
U.S. Appl. No. 29/361,522 entitled "Electronic Device", filed May 12, 2010.
U.S. Appl. No. 29/365,518 entitled "Electronic Device", filed Jul. 9, 2010.
U.S. Appl. No. 29/367,620 entitled "Keyboard", filed Aug. 10, 2010.
U.S. Appl. No. 29/393,263 entitled "Keyboard", filed Jun. 1, 2011.

* cited by examiner

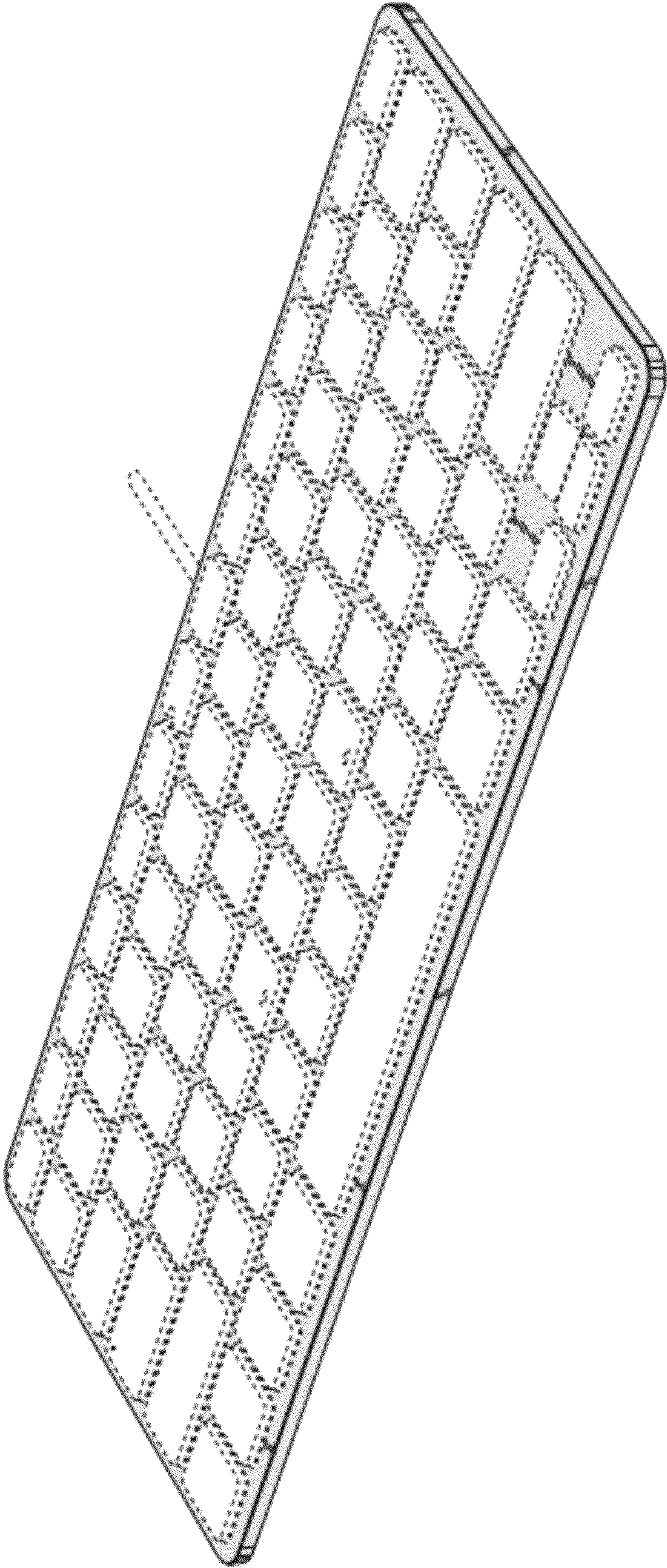


Fig. 1

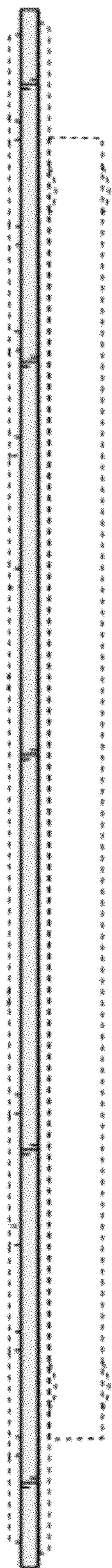


Fig. 2

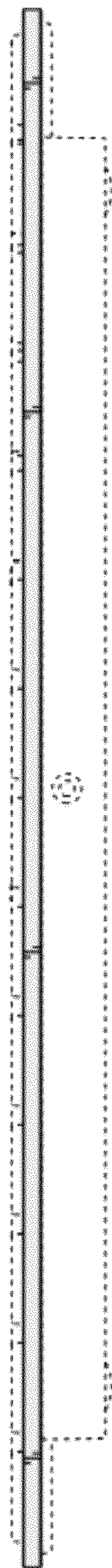


Fig. 3

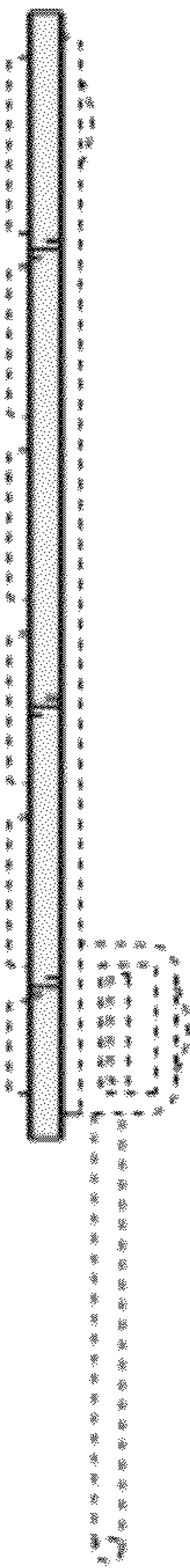


Fig. 4

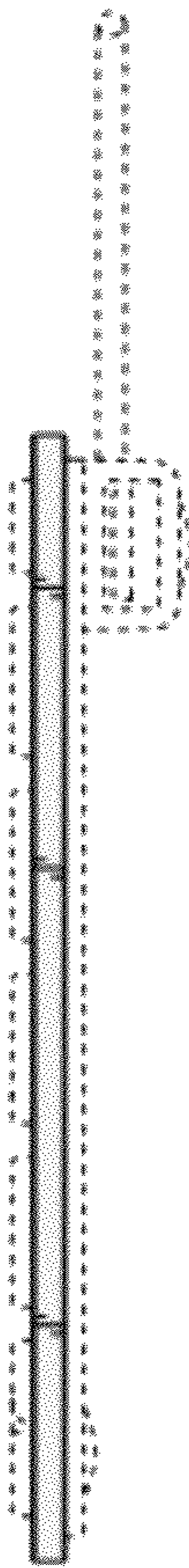


Fig. 5

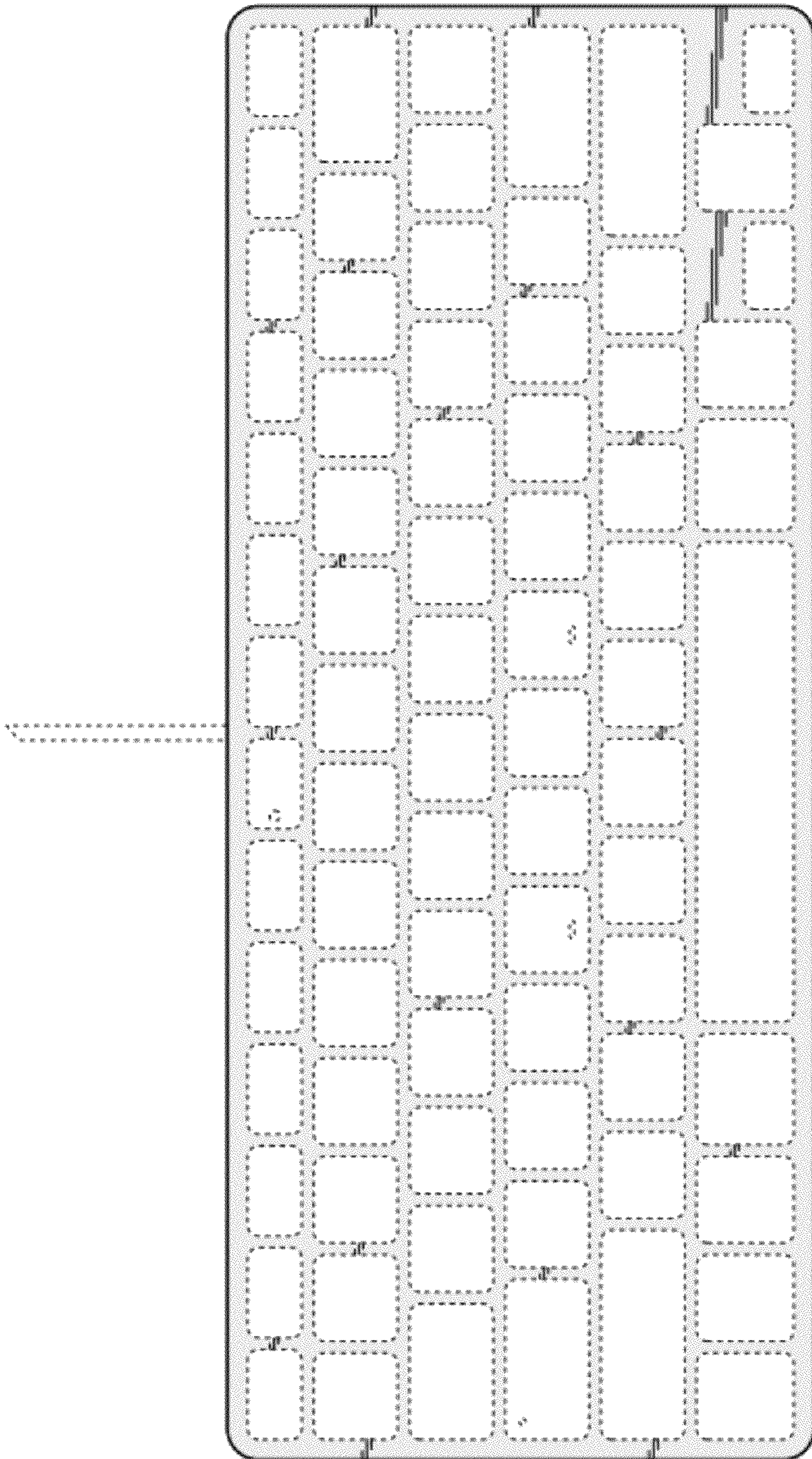


Fig. 6

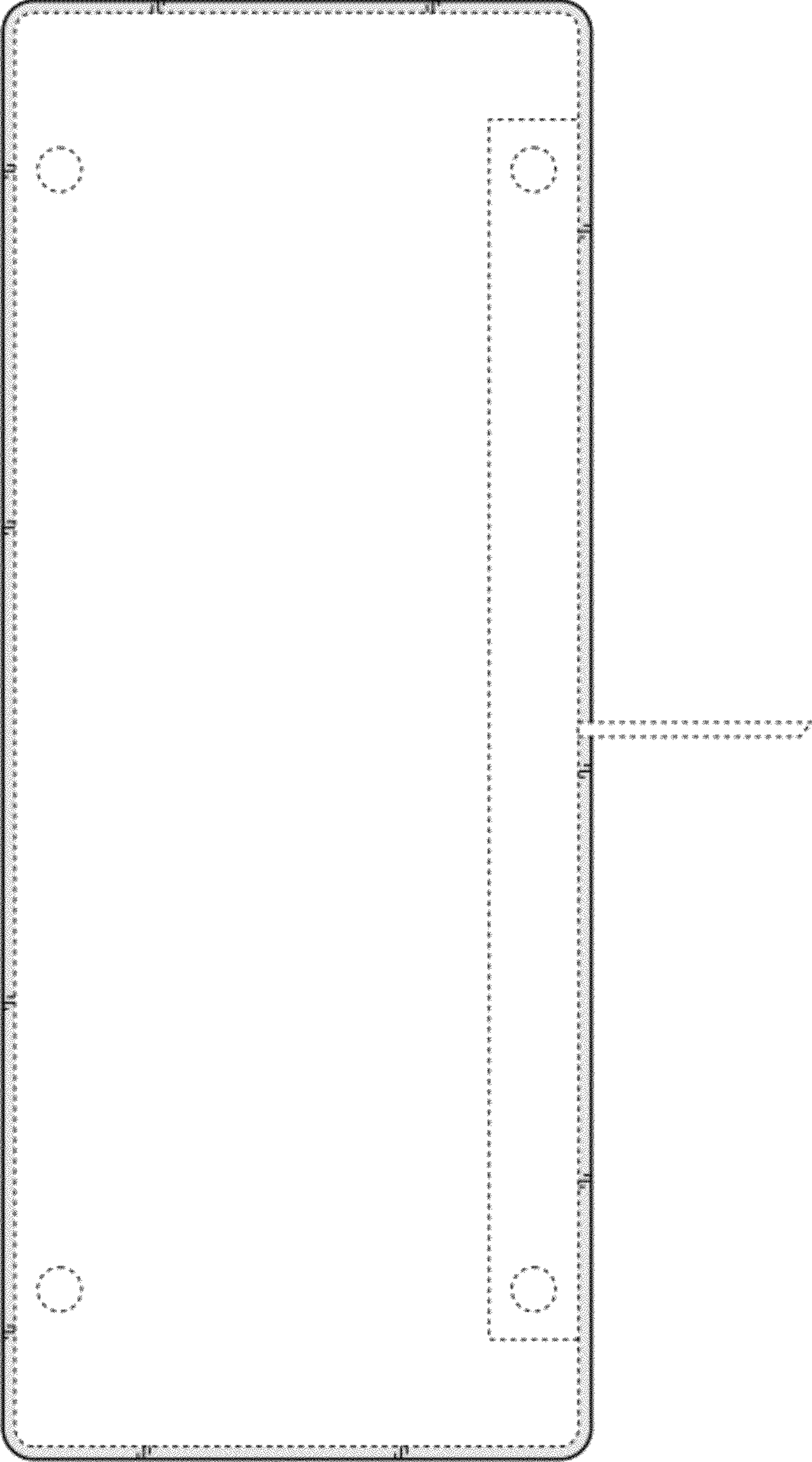


Fig. 7

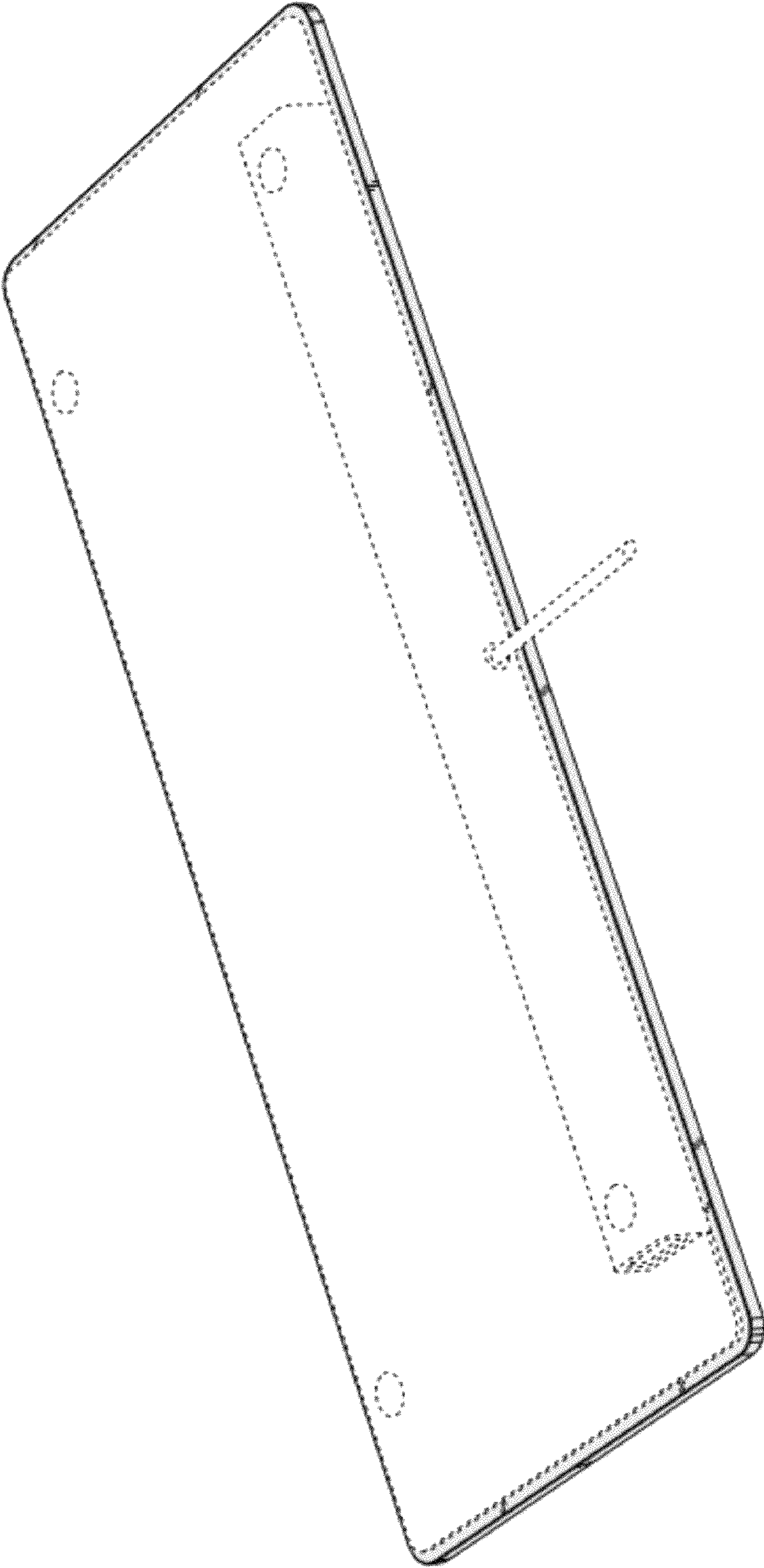


Fig. 8