



US00D662931S

(12) **United States Design Patent**
Ashcraft et al.

(10) **Patent No.:** **US D662,931 S**
(45) **Date of Patent:** **** Jul. 3, 2012**

(54) **COMPUTER**

(75) Inventors: **Britt C. Ashcraft**, Tomball, TX (US);
Eric Chen, Houston, TX (US); **Sandie N. Cheng**, Cypress, TX (US)

(73) Assignee: **Hewlett-Packard Development Company, L.P.**, Houston, TX (US)

(**) Term: **14 Years**

(21) Appl. No.: **29/400,128**

(22) Filed: **Aug. 23, 2011**

(51) **LOC (9) Cl.** **14-02**

(52) **U.S. Cl.** **D14/315**

(58) **Field of Classification Search** D14/315-327,
D14/341, 439, 250; D18/1, 2, 7, 11; 235/145 A,
235/145 R; 341/22, 23; 345/104, 156, 168,
345/169, 173; 361/679.08, 679.09, 679.11,
361/679.26, 679.27

See application file for complete search history.

(56) **References Cited**

U.S. PATENT DOCUMENTS

D490,420	S *	5/2004	Solomon et al.	D14/341
D623,639	S *	9/2010	Richardson et al.	D14/250
7,817,418	B2	10/2010	Bailey		
D638,412	S *	5/2011	Lee	D14/250
D643,423	S *	8/2011	Smith et al.	D14/250

FOREIGN PATENT DOCUMENTS

JP	2007241511	9/2007
KR	20080054127	6/2008

OTHER PUBLICATIONS

Hall, C., Apple MacBook (White) Notebook Review, <http://www.pocket-lint.com/review/4632/apple-macbook-white-2009-review>, Feb. 22, 2010.

Franklin, S., Laptop Lifts, <http://www.gearlive.com/news/article/q408-laptop-lifts/>, Mar. 12, 2009.

Moore, C.W., Xpad Non-slip Laptop Cooler & Heatshield, http://www.applelinks.com/index.php/more/xpad_non_slip_laptop_cooler_heat_shield/, Sep. 20, 2007.

* cited by examiner

Primary Examiner — Freda S Nunn

(57) **CLAIM**

We claim the ornamental design for a computer, as shown and described.

DESCRIPTION

The present application is related to U.S. patent application Ser. No. 13/216,224 filed on the same day herewith by Britt C. Ashcraft, Eric Chen and Sandie N. Cheng and entitled Computing System Feet, the full disclosure of which is hereby incorporated by reference.

FIG. 1 is a bottom perspective view of a computer;

FIG. 2 is a bottom plan view thereof;

FIG. 3 is a right side view thereof;

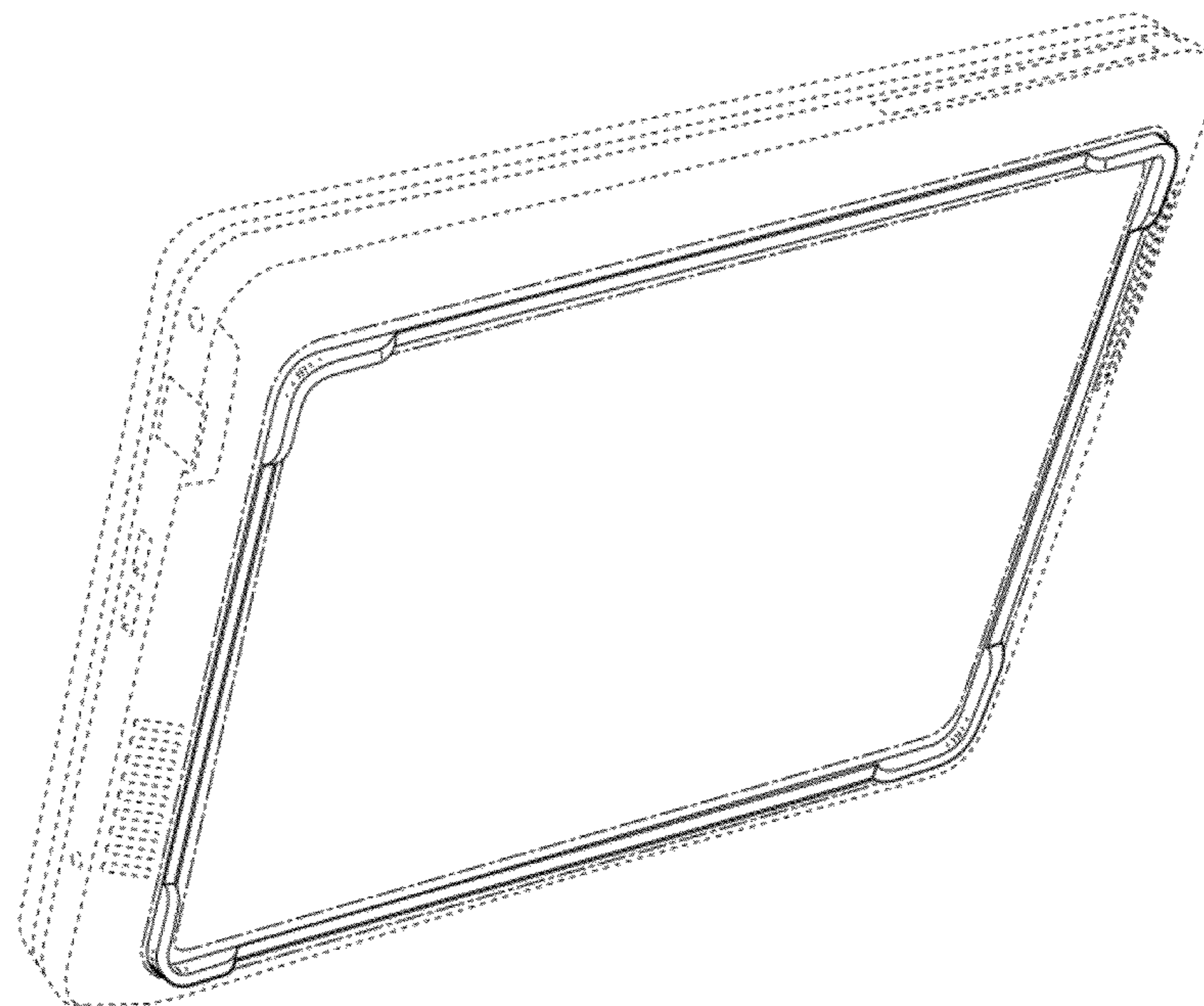
FIG. 4 is a left side view thereof; and

FIG. 5 is a front elevational view thereof; and,

FIG. 6 is a rear elevational view thereof.

The dash-dash broken lines in the drawings are environmental lines which do not form part of the claimed design. The short dash-long dash lines are boundary lines which do not form part of the claimed design.

1 Claim, 3 Drawing Sheets



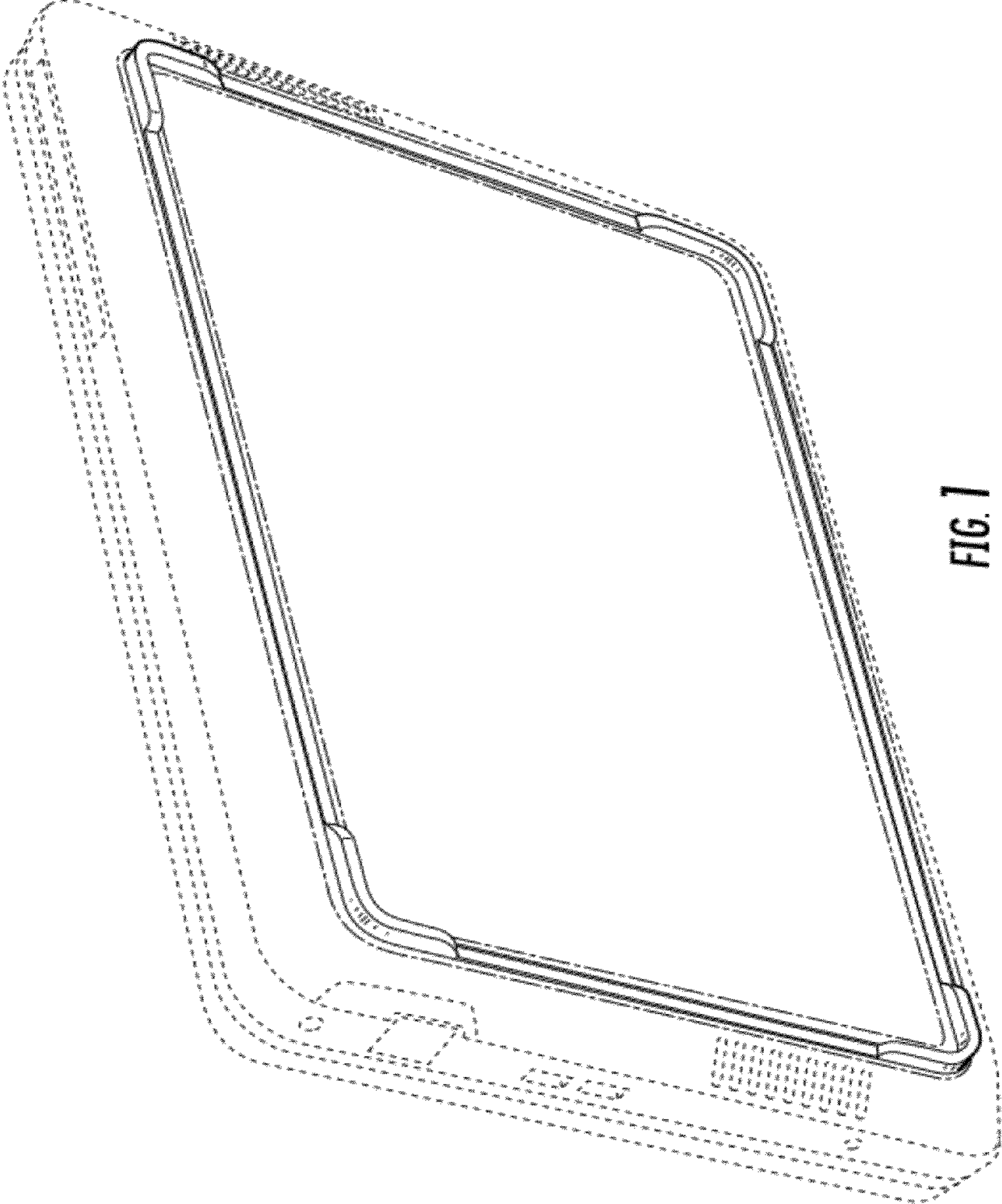


FIG. 7

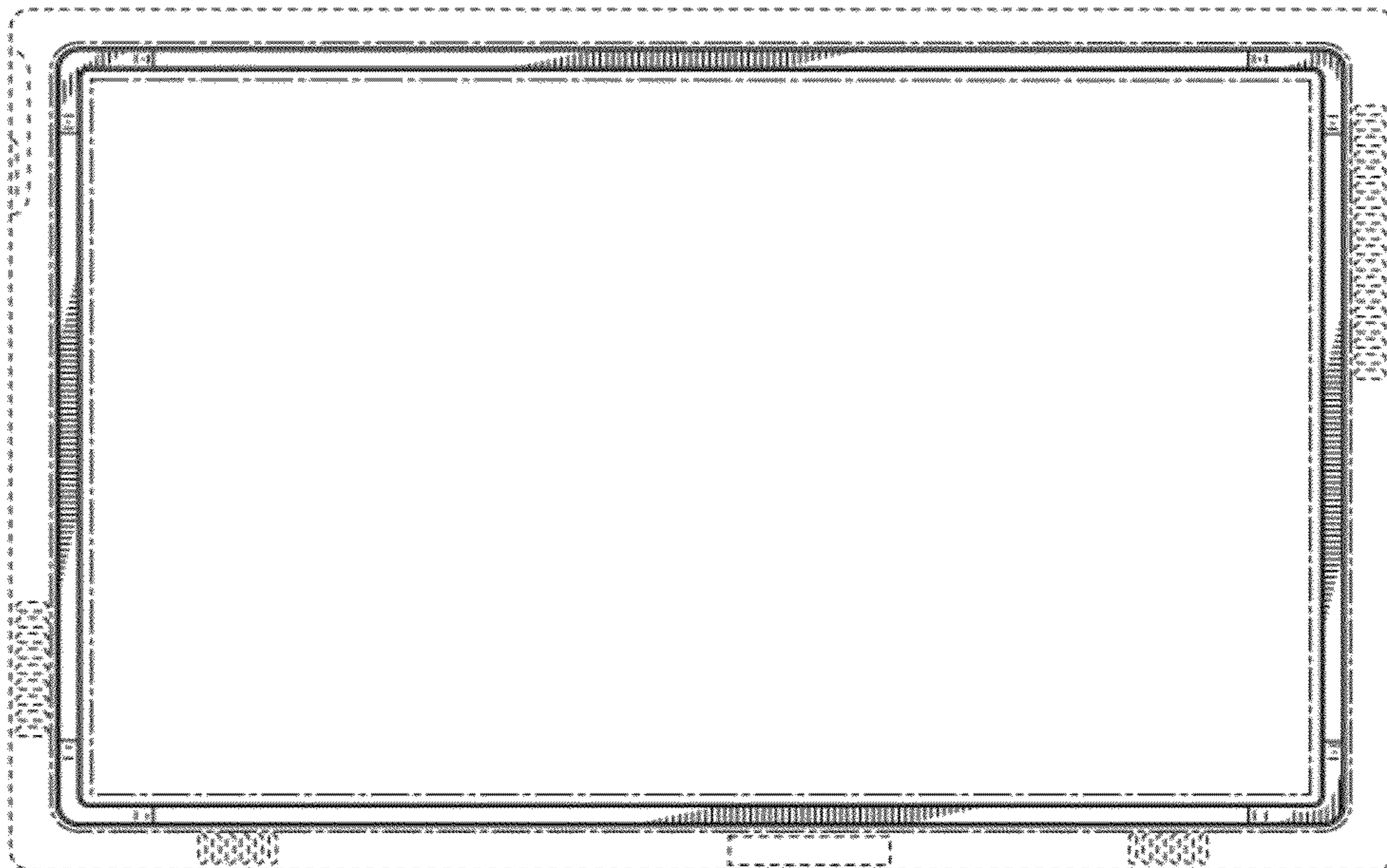


FIG. 2



FIG. 3

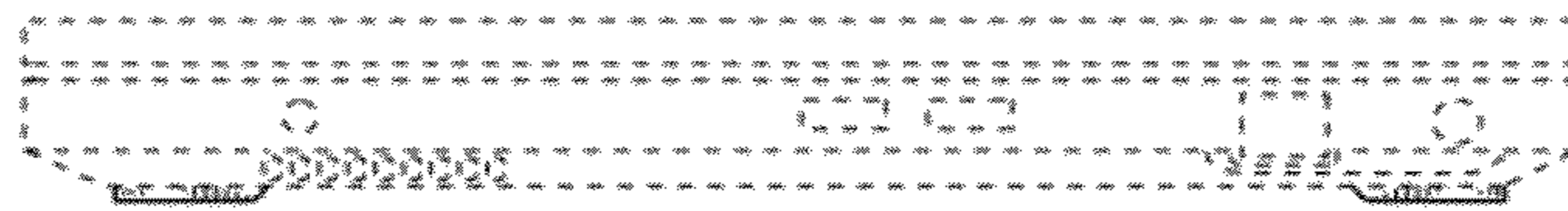


FIG. 4

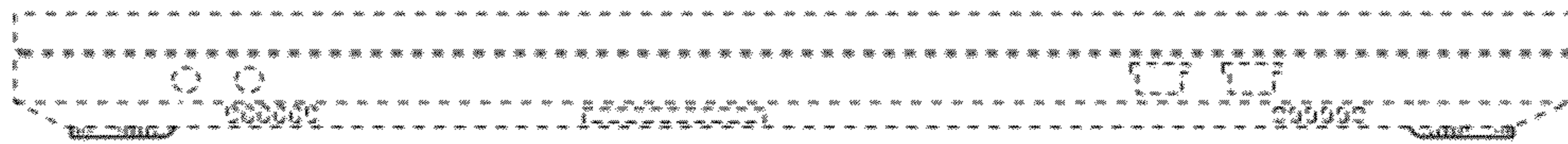


FIG. 5

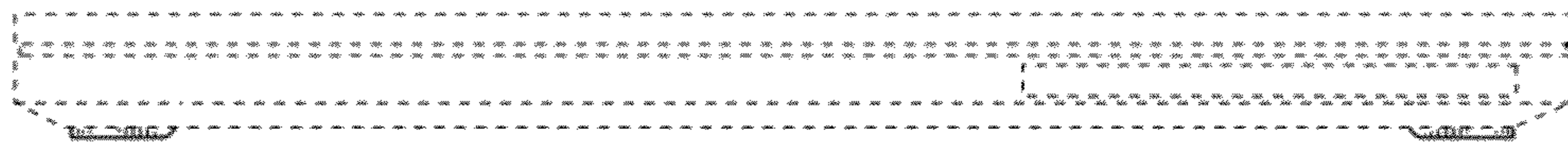


FIG. 6