



US00D662930S

(12) **United States Design Patent**
Ashcraft et al.

(10) **Patent No.:** **US D662,930 S**
(45) **Date of Patent:** **** Jul. 3, 2012**

(54) **COMPUTER**

(75) Inventors: **Britt C. Ashcraft**, Tomball, TX (US);
Eric Chen, Houston, TX (US); **Dustin L. Hoffman**, Cypress, TX (US)

(73) Assignee: **Hewlett-Packard Development Company, L.P.**, Houston, TX (US)

(**) Term: **14 Years**

(21) Appl. No.: **29/398,512**

(22) Filed: **Aug. 1, 2011**

(51) **LOC (9) Cl.** **14-02**

(52) **U.S. Cl.** **D14/315**

(58) **Field of Classification Search** D14/315-327,
D14/439; D18/1, 2, 7, 11; 235/145 A, 145 R;
341/22, 23; 345/104, 156, 168, 169, 173;
361/679.08, 679.09, 679.11, 679.26, 679.27
See application file for complete search history.

(56) **References Cited**

U.S. PATENT DOCUMENTS

6,519,139	B2 *	2/2003	Kambayashi	361/679.09
D603,861	S *	11/2009	Hong et al.	D14/315
D606,534	S *	12/2009	Hong et al.	D14/315
D608,777	S *	1/2010	Yoon	D14/315
D614,614	S *	4/2010	Yoon	D14/315
D630,221	S *	1/2011	Sogabe et al.	D14/439
D631,472	S *	1/2011	Kawase et al.	D14/327
D635,575	S *	4/2011	Masui et al.	D14/439
2005/0041378	A1 *	2/2005	Hamada et al.	361/680

* cited by examiner

Primary Examiner — Freda S Nunn

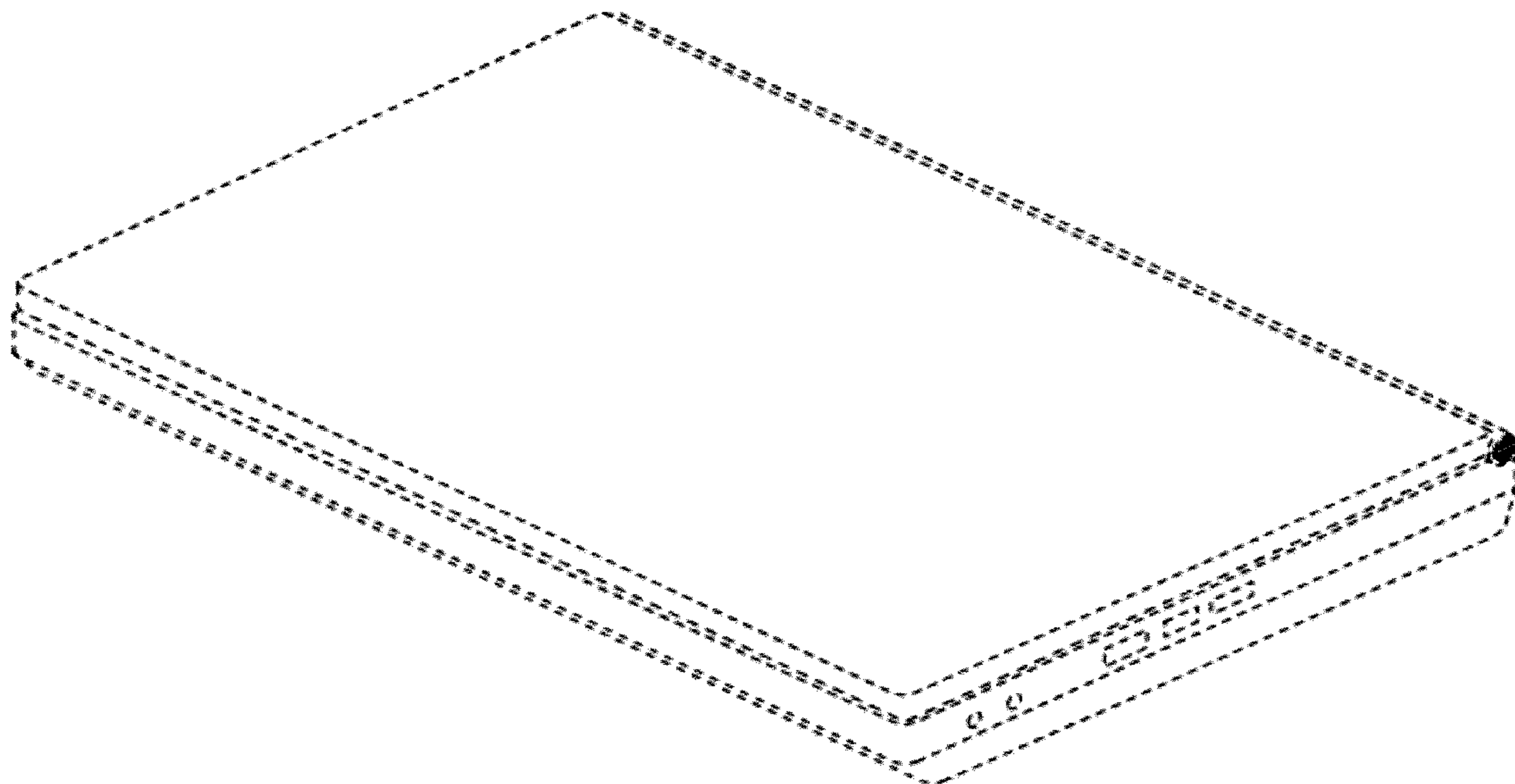
(57) **CLAIM**

We claim the ornamental design for a computer, as shown and described.

DESCRIPTION

FIG. 1 is a front perspective view of a computer with a display in a closed position;
 FIG. 2 is a left side elevational view of the computer of FIG. 1;
 FIG. 3 is a right side elevational view of the computer of FIG. 1;
 FIG. 4 is a top plan view of the computer of FIG. 1;
 FIG. 5 is a front elevational view of the computer of FIG. 1;
 FIG. 6 is a rear elevational view of the computer of FIG. 1;
 FIG. 7 is an enlarged fragmentary left side elevational view of the computer of FIG. 1;
 FIG. 8 is an enlarged fragmentary sectional view of the computer of FIG. 7 taken along lines 8-8;
 FIG. 9 is a fragmentary sectional view of the computer of FIG. 7 taken along lines 9-9;
 FIG. 10 is a front perspective view of the computer of FIG. 1 with the display in an opened position;
 FIG. 11 is a left side elevational view of the computer of FIG. 10;
 FIG. 12 is a right side elevational view of the computer of FIG. 10;
 FIG. 13 is a top plan view of the computer of FIG. 10;
 FIG. 14 is a front elevational view of the computer of FIG. 10;
 FIG. 15 is a rear elevational view of the computer of FIG. 10;
 and,
 FIG. 16 is an enlarged fragmentary left side elevational view of the computer of FIG. 10.
 The dash-dash broken lines in the drawings are environmental lines which do not form part of the claimed design.

1 Claim, 12 Drawing Sheets



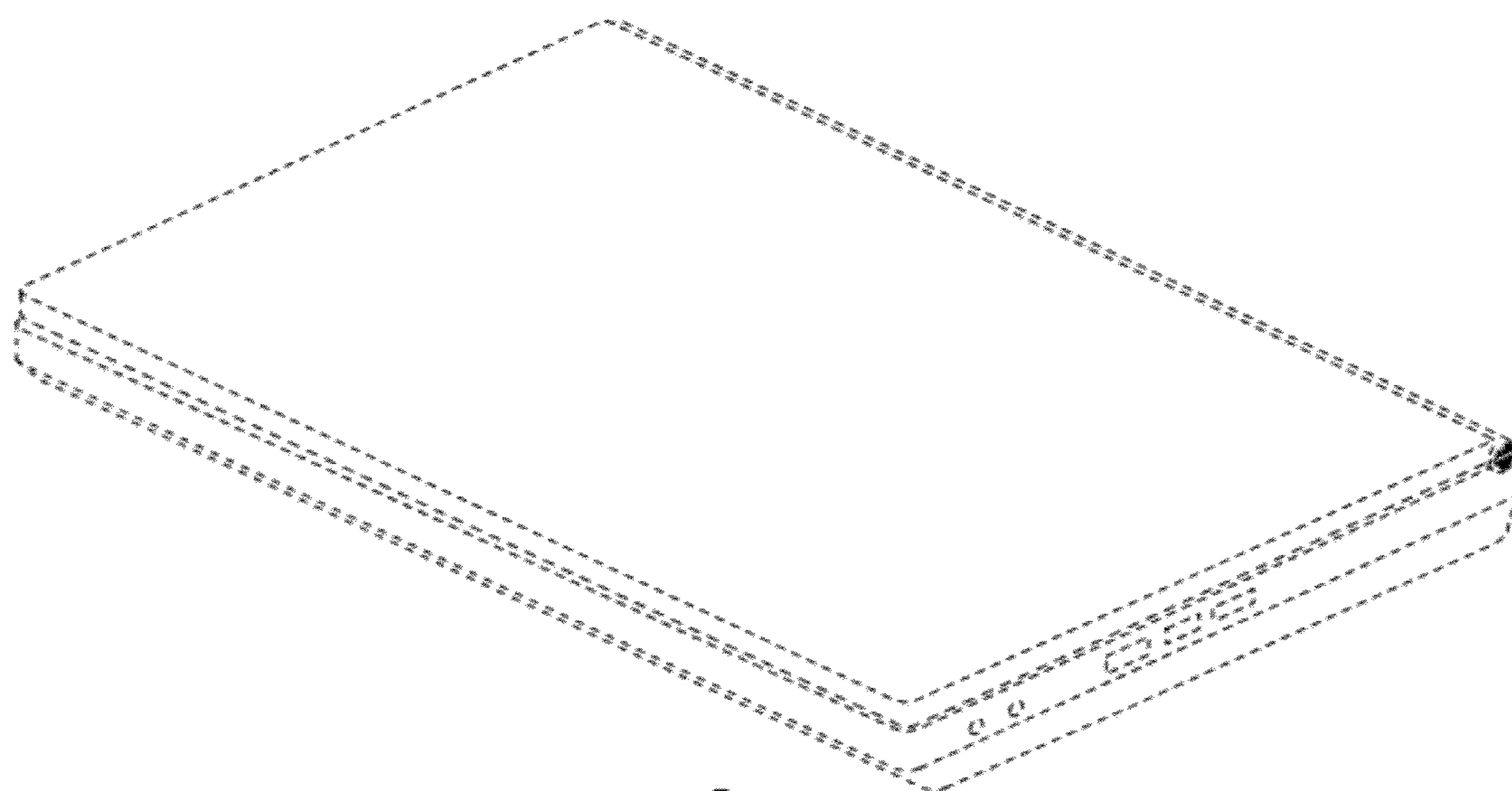


FIG. 1

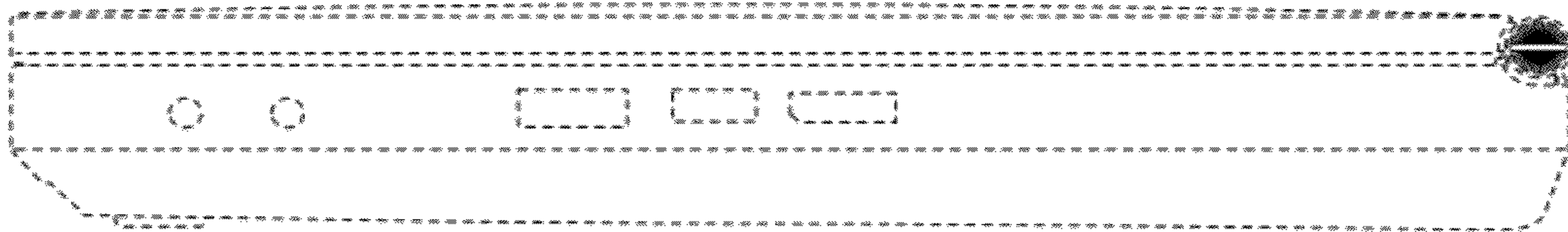


FIG. 2

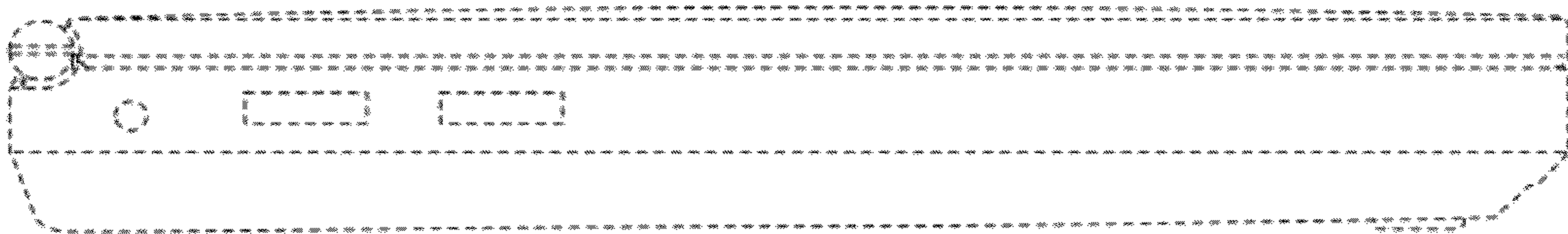


FIG. 3



FIG. 4

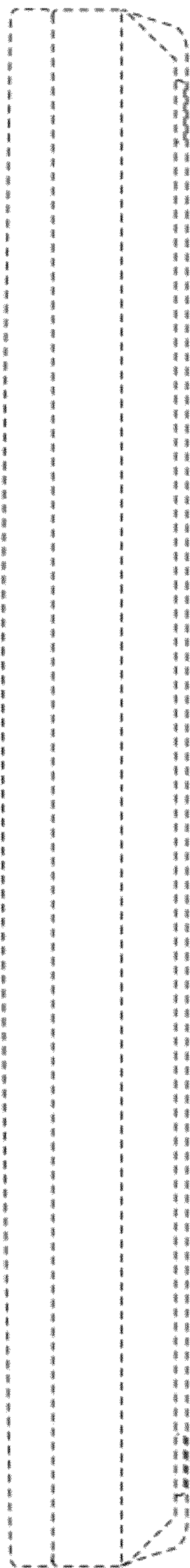


FIG. 5

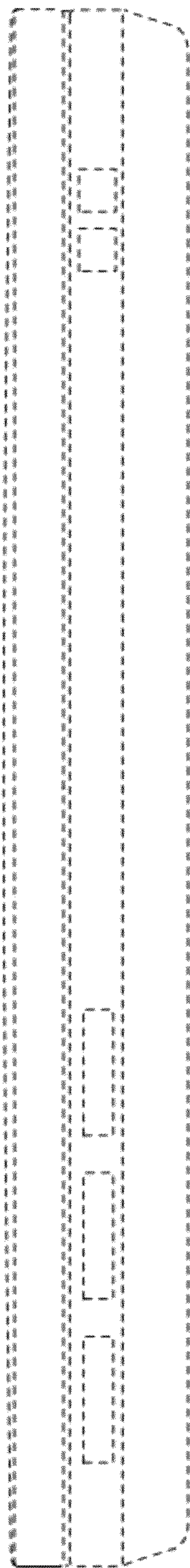


FIG. 6

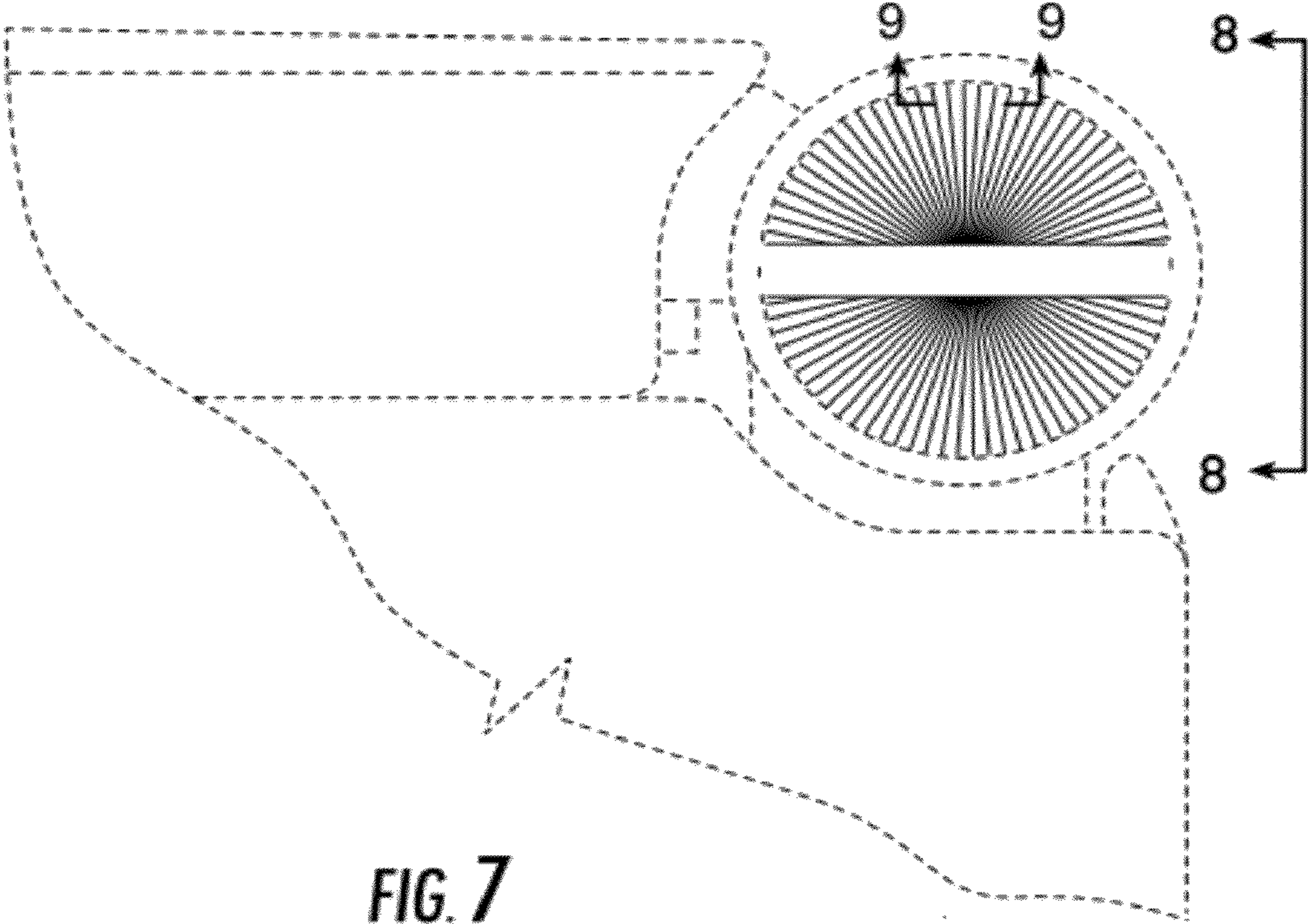


FIG. 7



FIG. 8

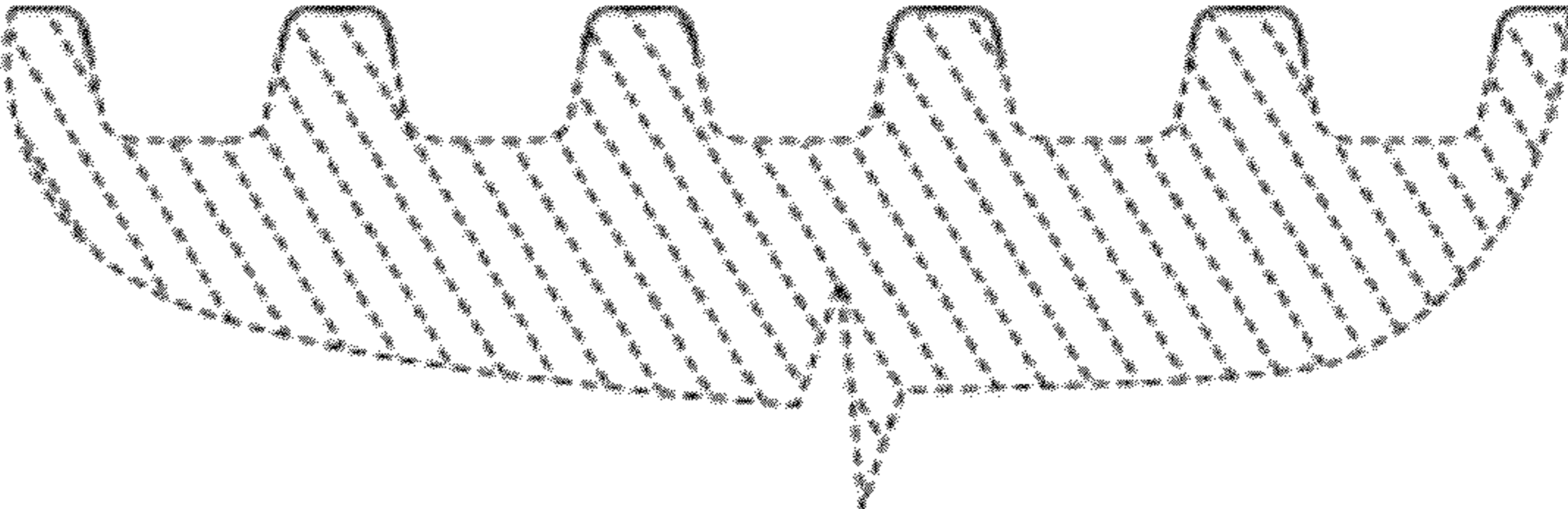


FIG. 9

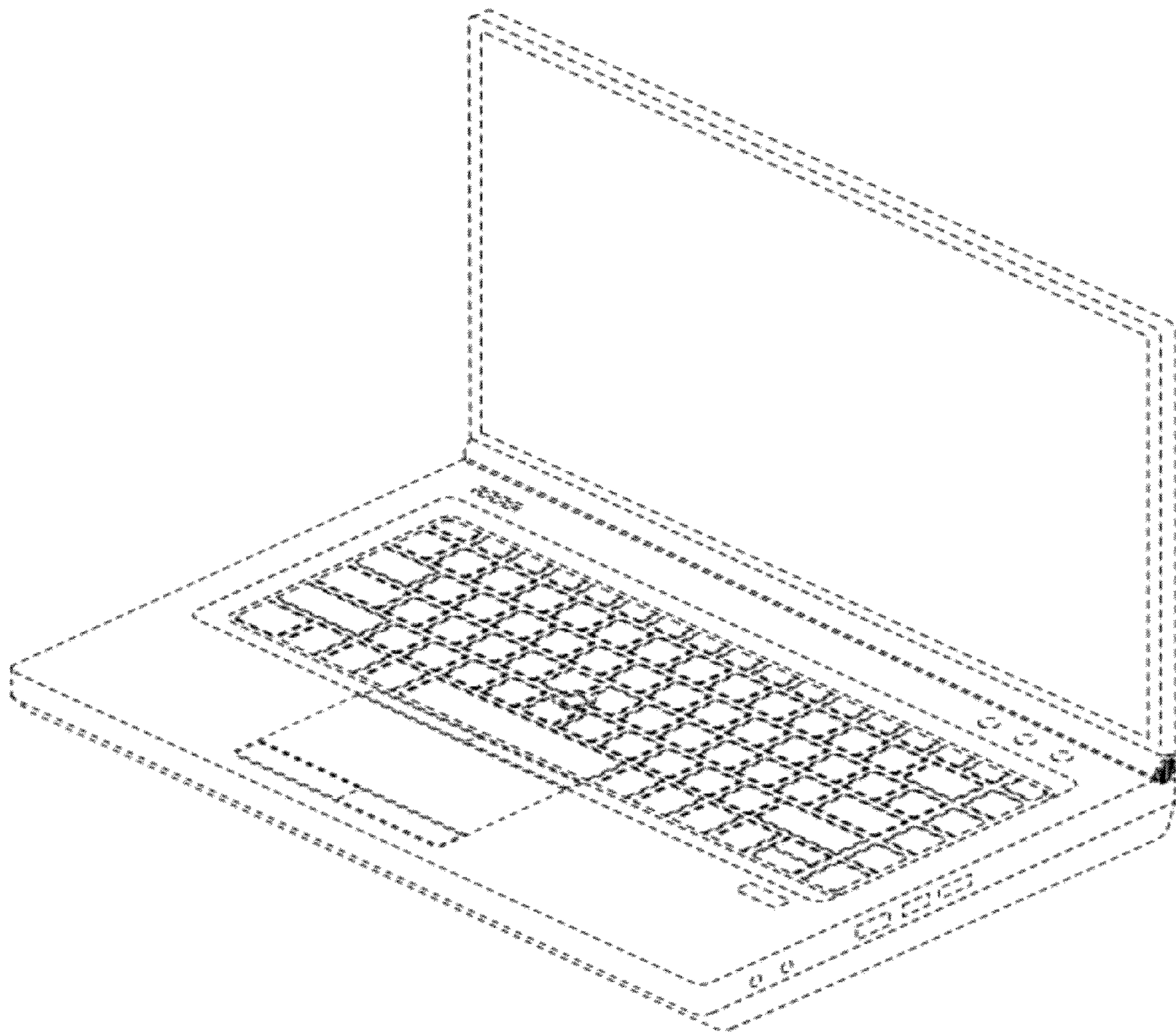


FIG. 10

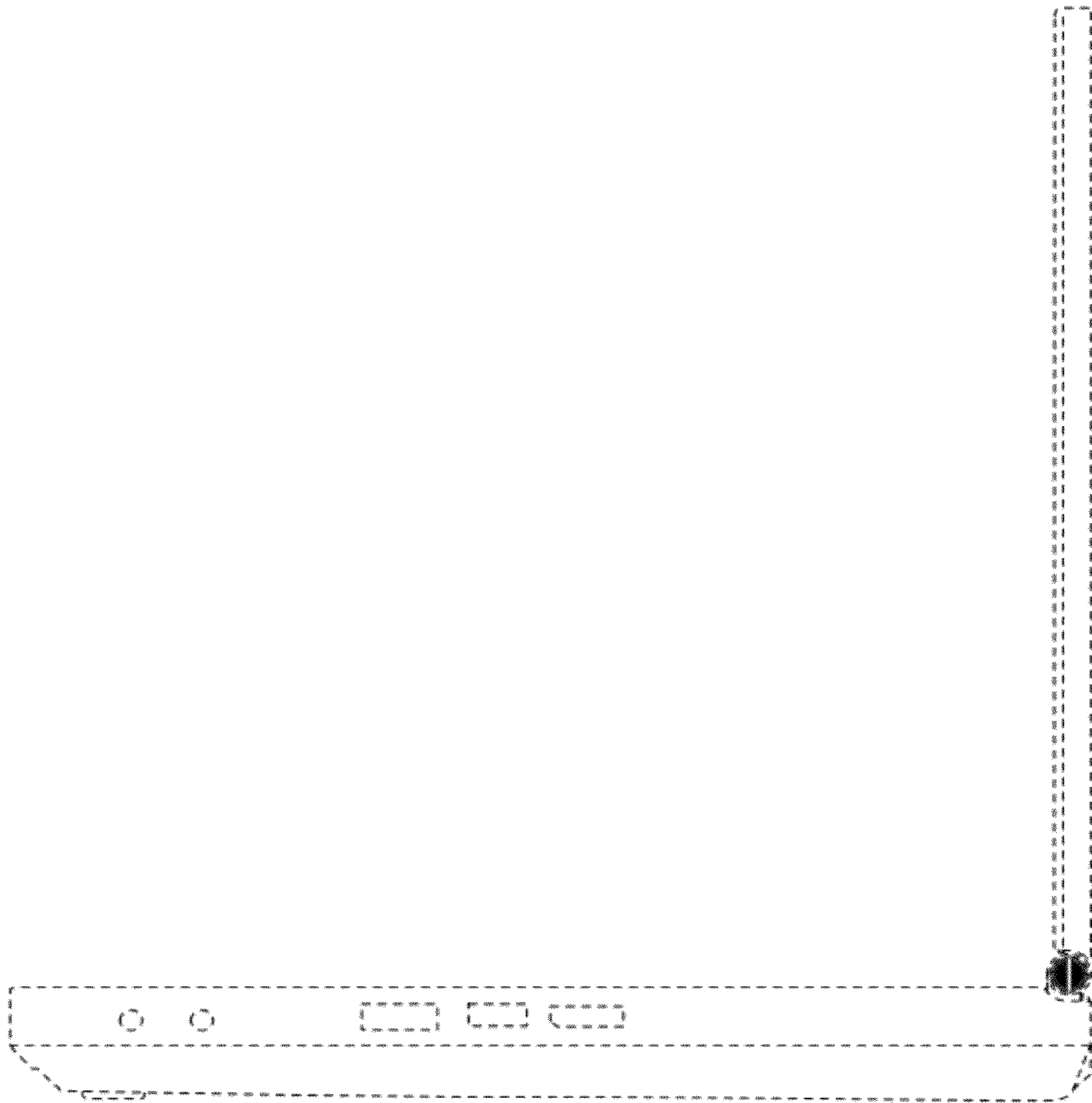


FIG. 11

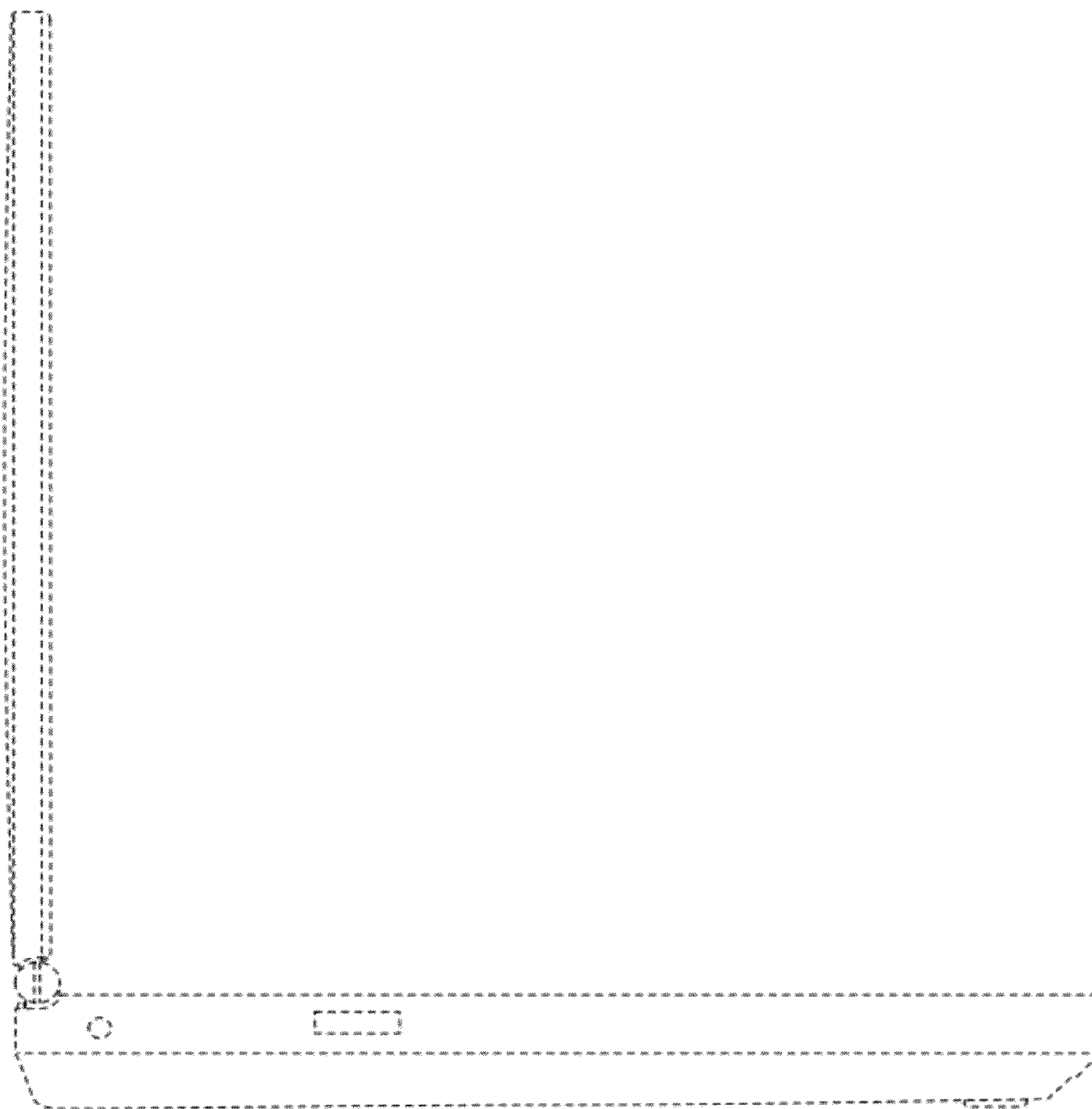


FIG. 12

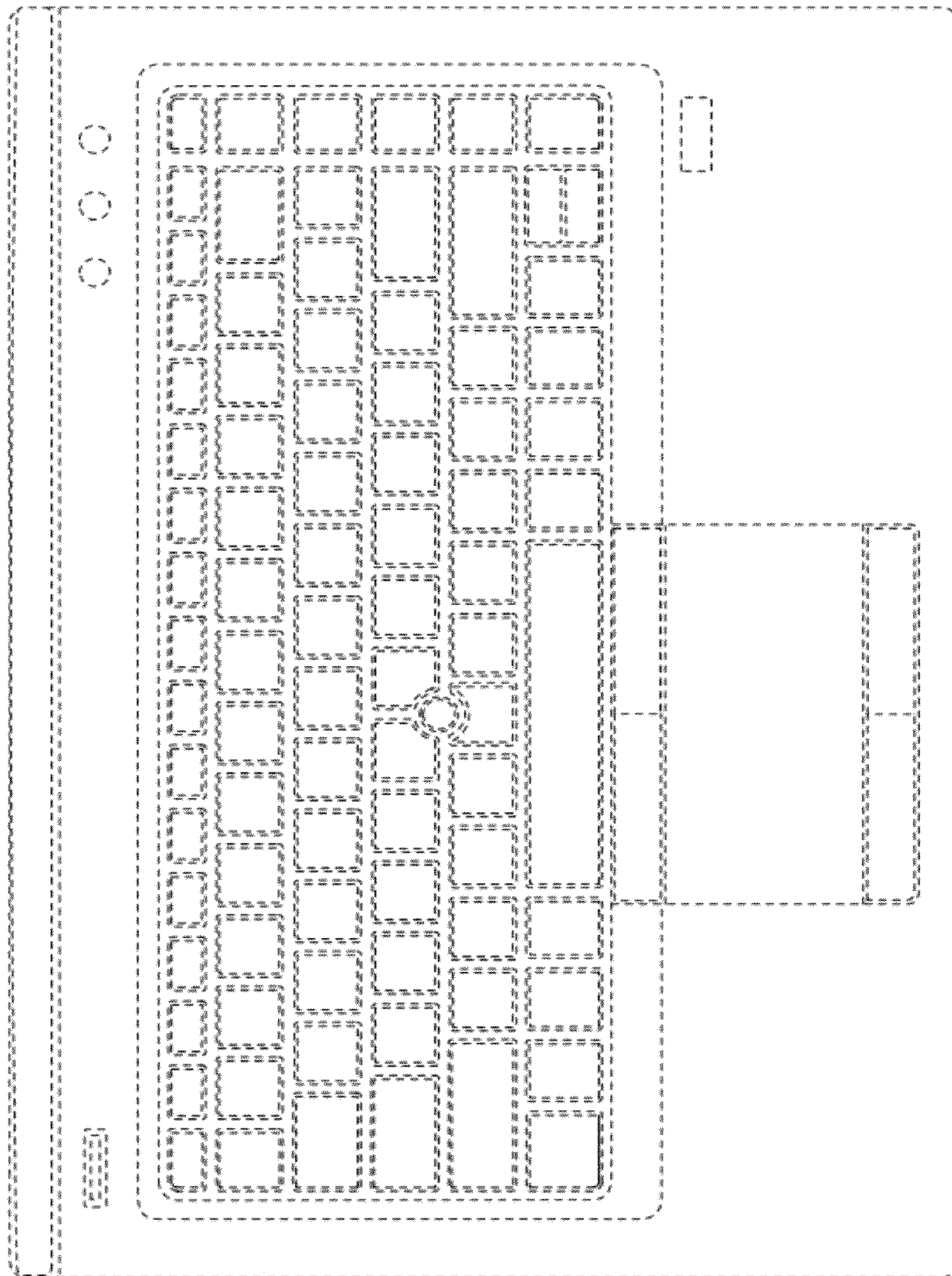


FIG. 13

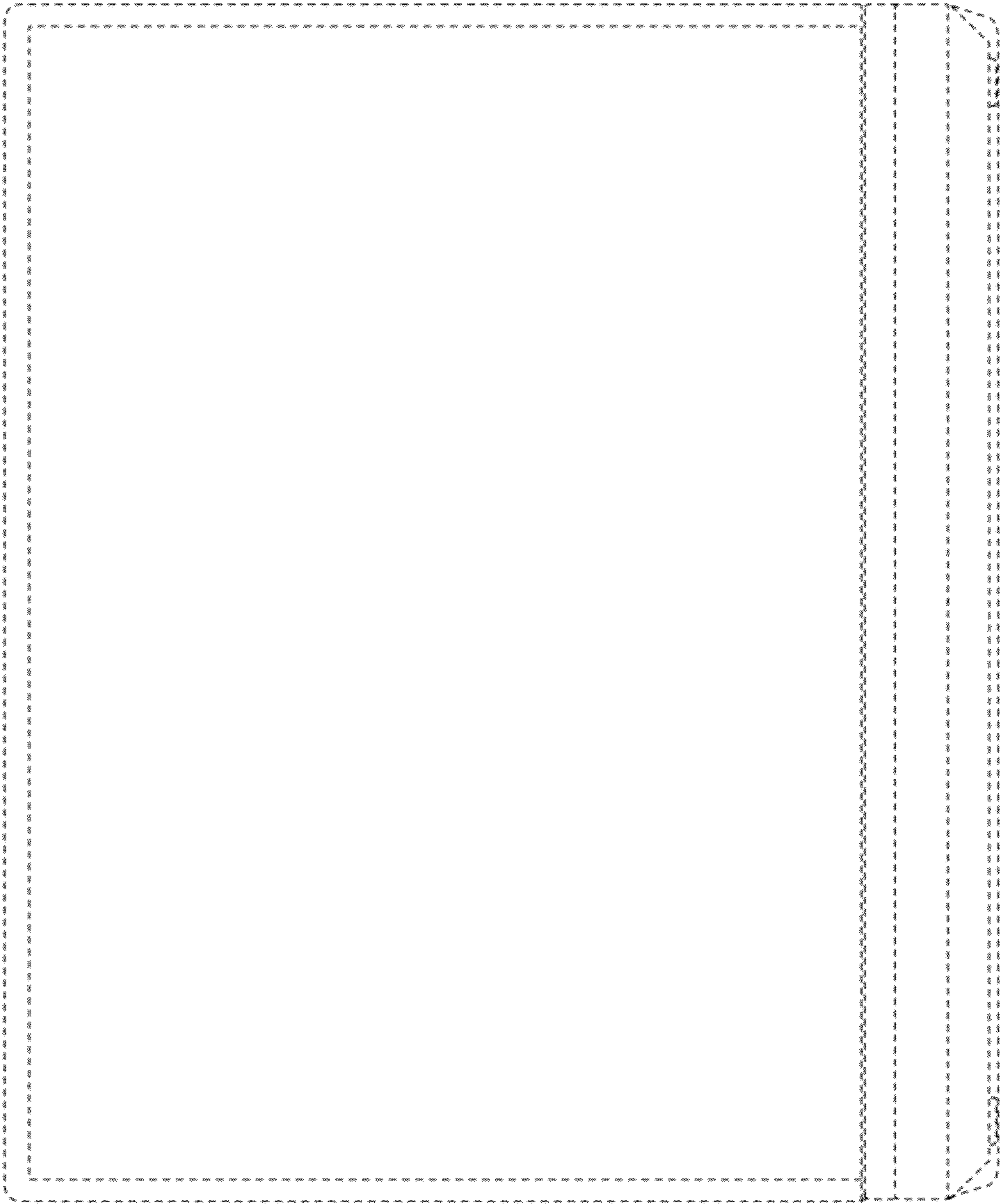


FIG. 74

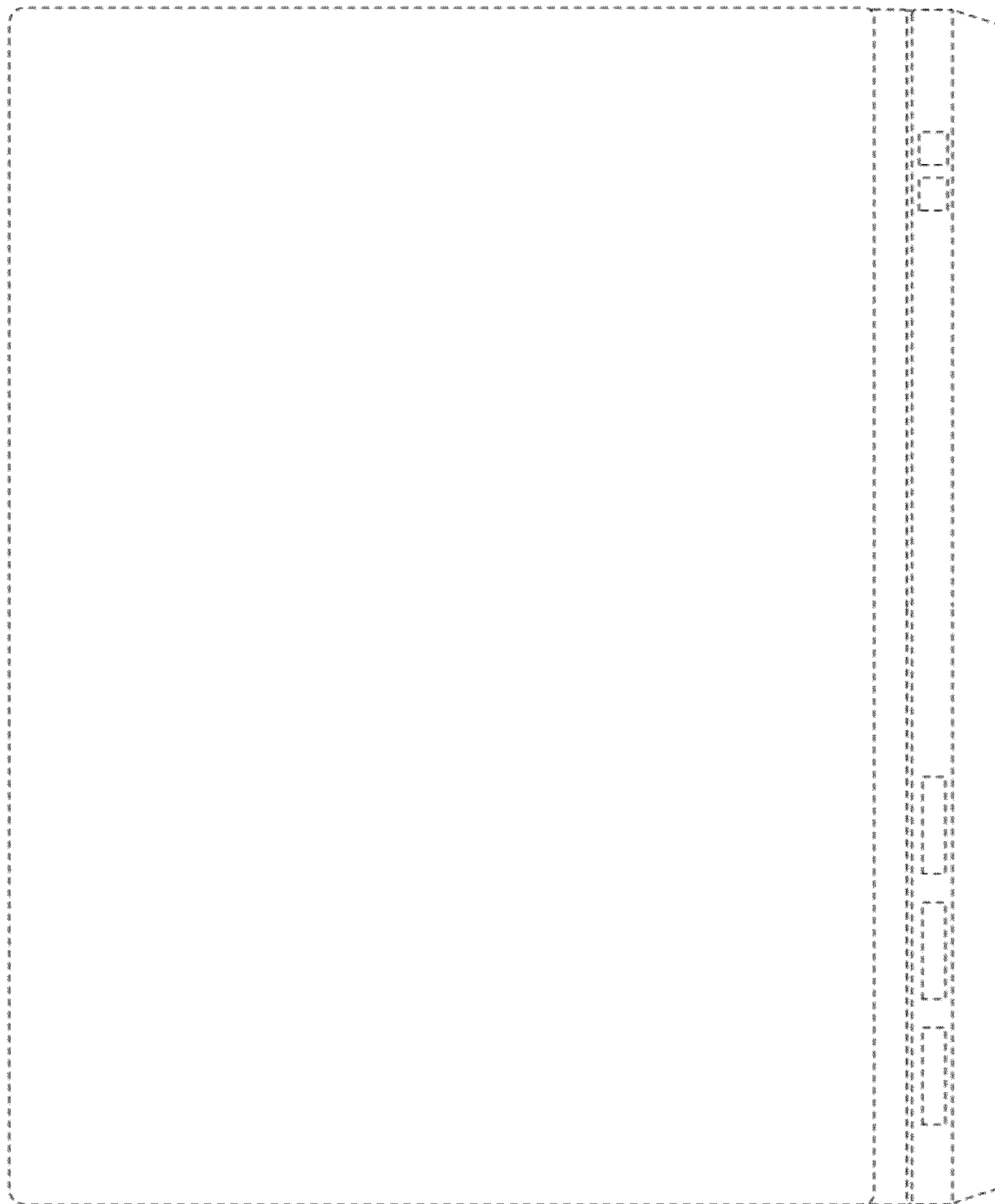


FIG. 15

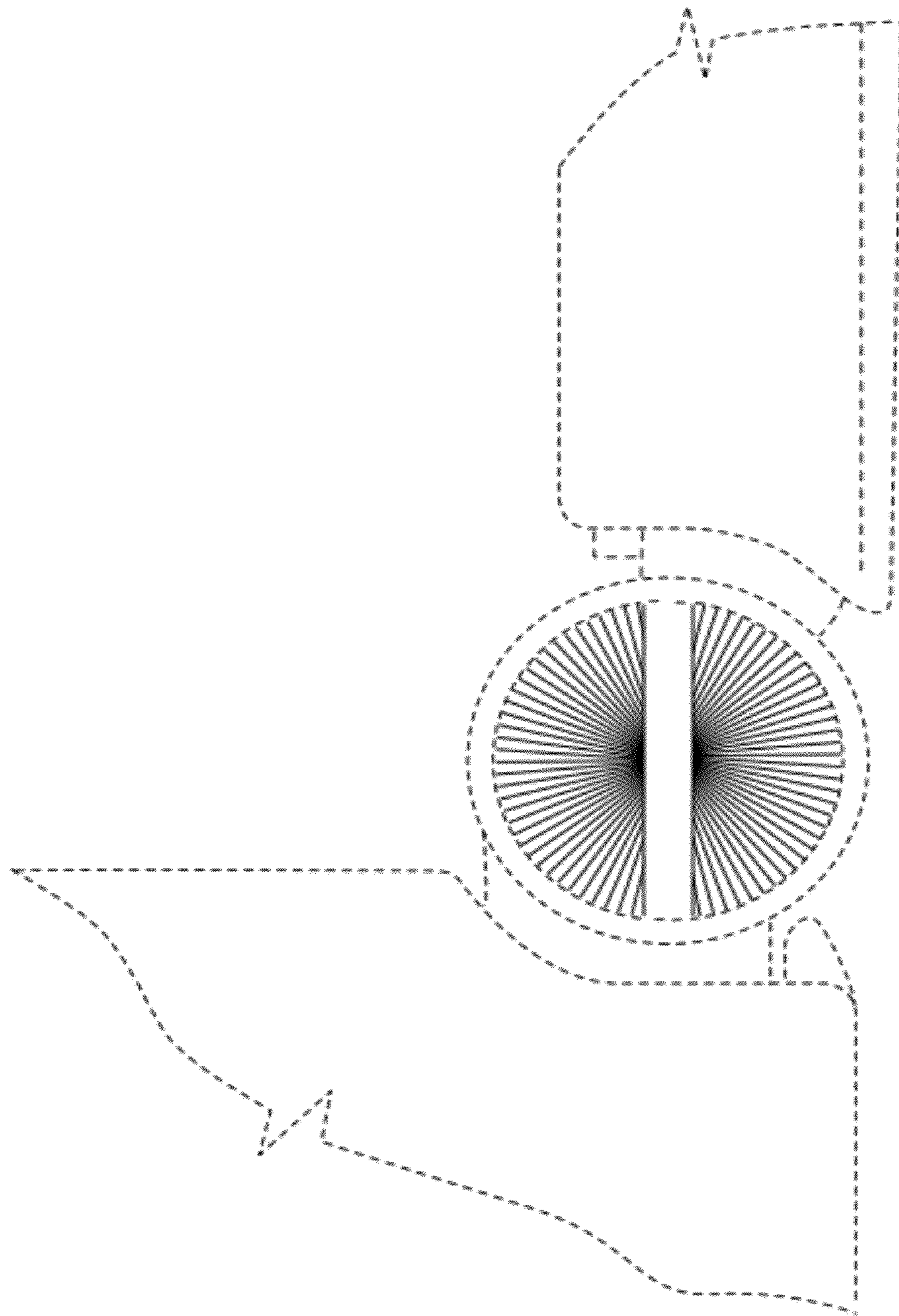


FIG. 16