

US00D662925S

(12) **United States Design Patent**
Mayberry et al.

(10) **Patent No.:** **US D662,925 S**

(45) **Date of Patent:** **** Jul. 3, 2012**

(54) **CASE FOR A SMART PHONE**

(75) Inventors: **Michael T. Mayberry**, Denver, CO (US); **Eric Christopher Burt**, Flowery Branch, GA (US)

(73) Assignee: **Magpul Industries Corporation**, Erie, CO (US)

(**) Term: **14 Years**

(21) Appl. No.: **29/387,264**

(22) Filed: **Mar. 10, 2011**

(51) **LOC (9) Cl.** **14-03**

(52) **U.S. Cl.** **D14/250**

(58) **Field of Classification Search** D14/250–253, D14/440, 203.3–203.7, 217, 496, 248, 238.1, D14/240, 447; D3/201, 218, 269, 301, 273, D3/303; D13/103, 107–108; 220/4.02; 248/309.1; 361/679.56; 379/426, 433.11, 455; 455/575.1, 455/575.8; 190/100; 206/305, 320
See application file for complete search history.

(56) **References Cited**

U.S. PATENT DOCUMENTS

D150,654 S	8/1948	Raphaels	
5,360,108 A *	11/1994	Alagia	206/320
D382,111 S	8/1997	Bardus	
D419,297 S	1/2000	Richardson	
D419,767 S	2/2000	Richardson	
D419,768 S	2/2000	Richardson	
D422,787 S	4/2000	Feng	
D455,746 S	4/2002	Ronzani	
D514,123 S	1/2006	Naruki	
D516,309 S *	3/2006	Richardson et al.	D3/273
D516,807 S	3/2006	Richardson	
D524,046 S	7/2006	Pangerc	
7,158,376 B2	1/2007	Richardson	
D553,352 S *	10/2007	Allen	D3/218

(Continued)

OTHER PUBLICATIONS

Review of Magpul Executive Field Case for iPhone 4 by Nick Guy published on Jun. 29, 2011, <URL:http://www.ilounge.com/index.php/reviews/entry/magpul-executive-field-case-for-iphone-4/>, retrieved from internet on Mar. 25, 2012.*

(Continued)

Primary Examiner — Carla Wright

(74) *Attorney, Agent, or Firm* — Swanson & Bratschun, L.L.C.

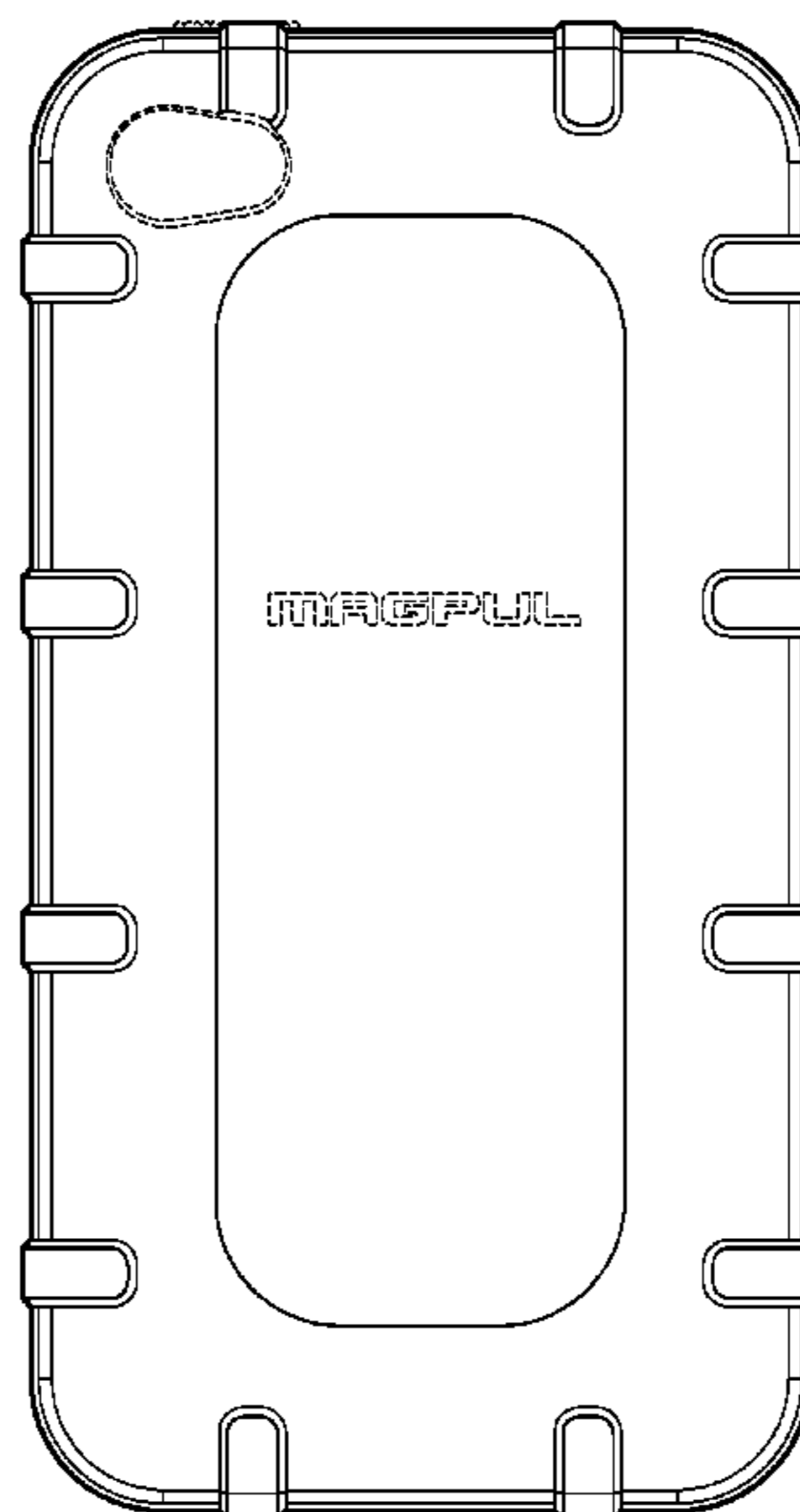
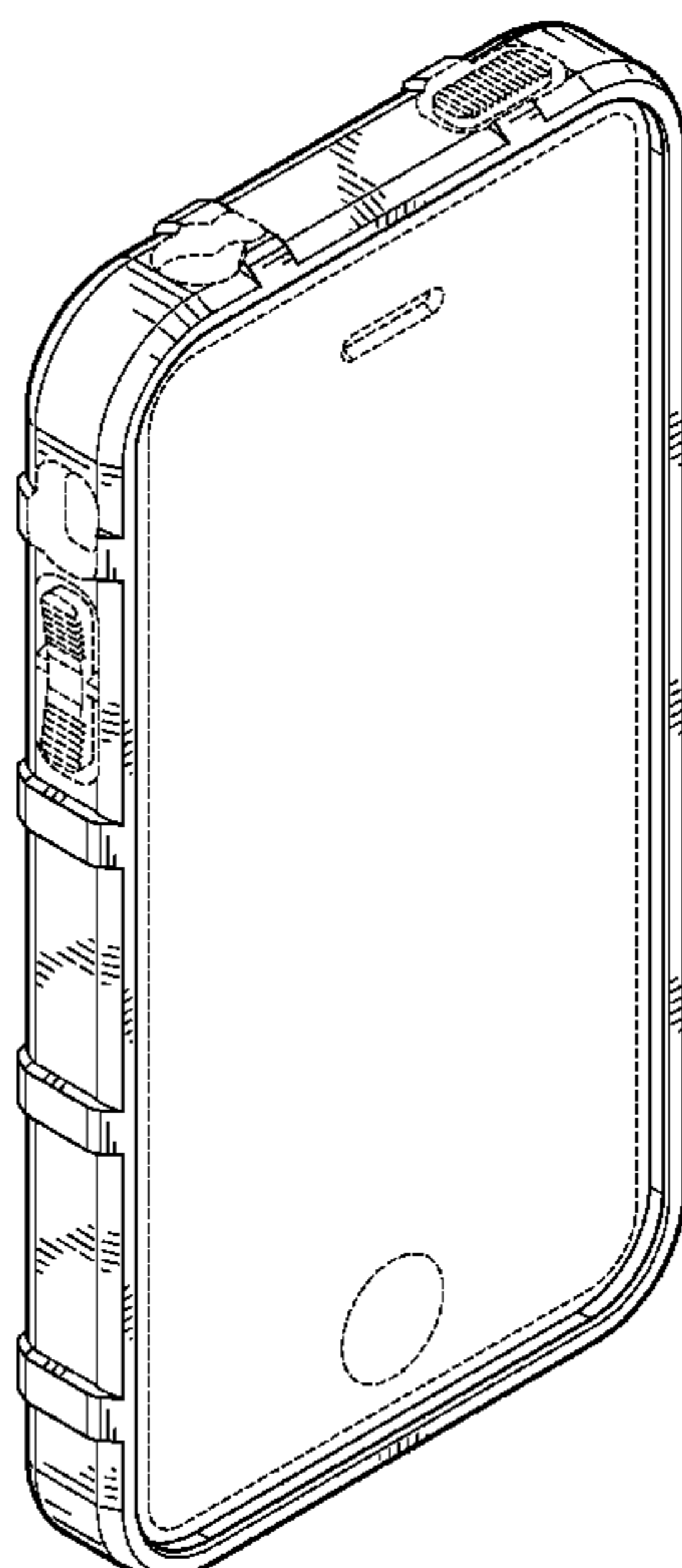
(57) **CLAIM**

The ornamental design for a case for a smart phone, as shown and described.

DESCRIPTION

FIG. 1 is a rear, top, right perspective view of a case for a smart phone showing our new design; FIG. 2 is a rear, top, left perspective view of the case of FIG. 1; FIG. 3 is a front, top, left perspective view of the case of FIG. 1; FIG. 4 is a front elevation view of the case of FIG. 1; FIG. 5 is a rear elevation view of the case of FIG. 1; FIG. 6 is a top plan view of the case of FIG. 1; FIG. 7 is a bottom plan view of the case of FIG. 1; FIG. 8 is a left side elevation view of the case of FIG. 1; and, FIG. 9 is a right side elevation view of the case of FIG. 1. The broken lines immediately adjacent the claimed surfaces represent boundaries of the claimed design. All other broken lines depict unclaimed environment. The broken lines and unshaded surfaces bounded by broken lines form not part of the claimed design.

1 Claim, 7 Drawing Sheets



US D662,925 S

Page 2

U.S. PATENT DOCUMENTS

D556,681 S * 12/2007 Kim D13/103
D575,056 S 8/2008 Tan
D581,421 S 11/2008 Richardson
D592,646 S 5/2009 Sun
D602,894 S 10/2009 Lepoutier
D606,531 S 12/2009 Ferrari
D607,444 S 1/2010 Ferrari
D615,078 S 5/2010 Bradley
D615,536 S 5/2010 Richardson
D619,574 S 7/2010 Richardson
D622,716 S 8/2010 Andre
D623,180 S 9/2010 Diebel
D623,640 S 9/2010 Freeman
D625,698 S 10/2010 Miyazaki
D626,540 S 11/2010 Brown
7,859,222 B2 * 12/2010 Woud 320/115
D633,164 S * 2/2011 Fitzpatrick et al. D22/108
D633,589 S * 3/2011 Fitzpatrick et al. D22/108
D634,313 S 3/2011 Fitzpatrick et al.
D635,555 S * 4/2011 Giles D14/217
D637,592 S * 5/2011 Magness et al. D14/250
D638,006 S * 5/2011 Chang D14/250
D638,007 S * 5/2011 Chang D14/250
D638,830 S * 5/2011 Magness et al. D14/250
D643,029 S * 8/2011 Feng D14/250
D643,433 S * 8/2011 Hsieh et al. D14/440
D650,371 S * 12/2011 Wibby et al. D14/238.1

D651,203 S * 12/2011 Michie et al. D14/250
D655,281 S * 3/2012 Turocy D14/250
2010/0224519 A1 * 9/2010 Kao 206/320
2010/0251590 A1 * 10/2010 Fitzpatrick et al. 42/50

OTHER PUBLICATIONS

3GS iPhone Field Case, Flat Dark Earth, <URL:http://www.policestore.com/aspx/sid=78673/pid=42016/Color_1008=Black/Product/MAGPUL-IPHONE-CASES?mc_id=p1503&srch=1>, retrieved from internet on Mar. 25, 2012.*
Internet Archive WayBack Machine showing earliest capture of Executive Field Case—iPhone 4 (product/MAG450/125) on Magpul website on Jun. 12, 2011, <URL:http://web.archive.org/web/20110612024247/http://store.magpul.com/product/MAG450/125>, retrieved from internet on Mar. 31, 2012.*
Magpul Executive Field Case—Iphone 4/4S, <URL:http://store.magpul.com/product/MAG450/125>, retrieved from internet on Mar. 31, 2012.*
Case-mate CM011706 Medley Cover for iPhone 4, <URL:http://www.daydeal.com/product.php?productid=46501&cat=4974>, retrieved from internet Nov. 4, 2010.
Incipio IPH-539 Bombproof Silicone Case for iPhone 4, URL:http://www.daydeal.com/product.php?productid=47512&cat=4974>, retrieved from internet Nov. 4, 2010.

* cited by examiner

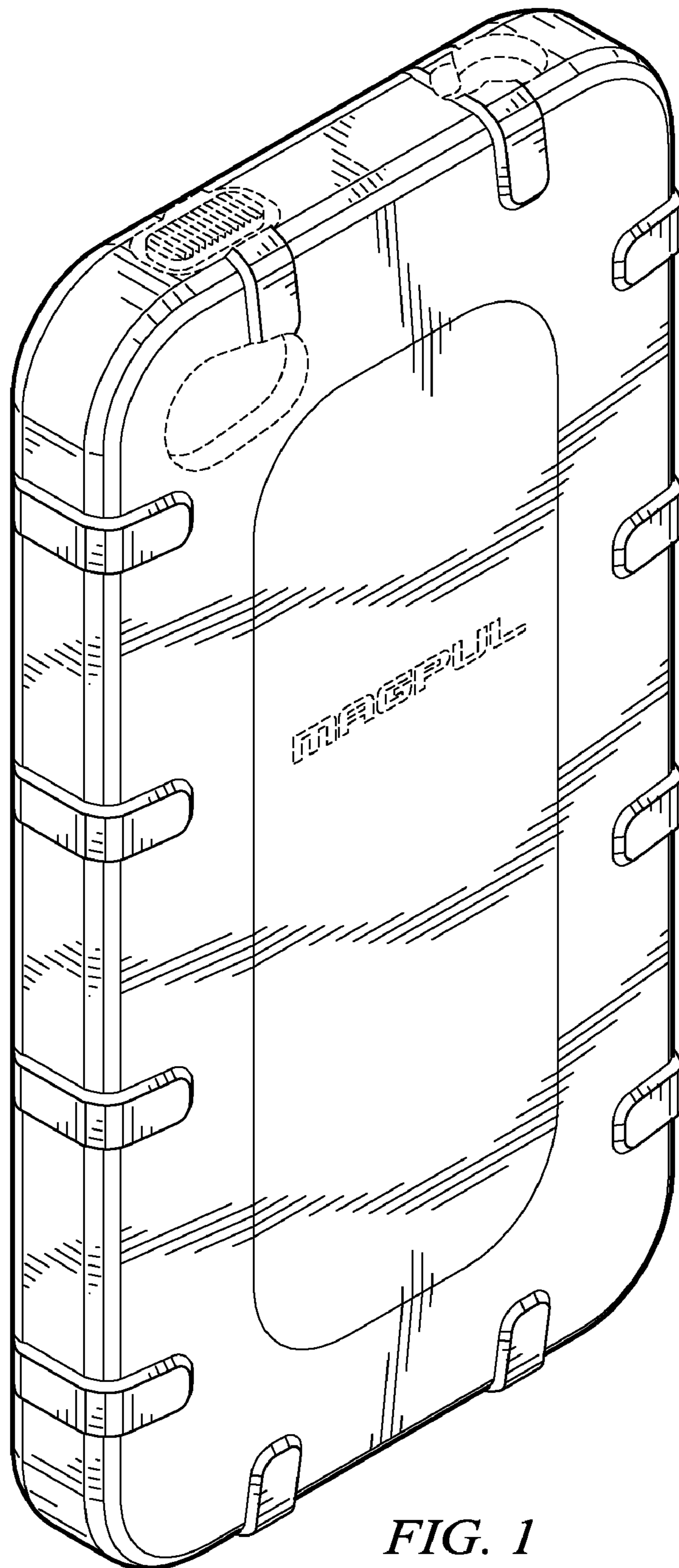


FIG. 1

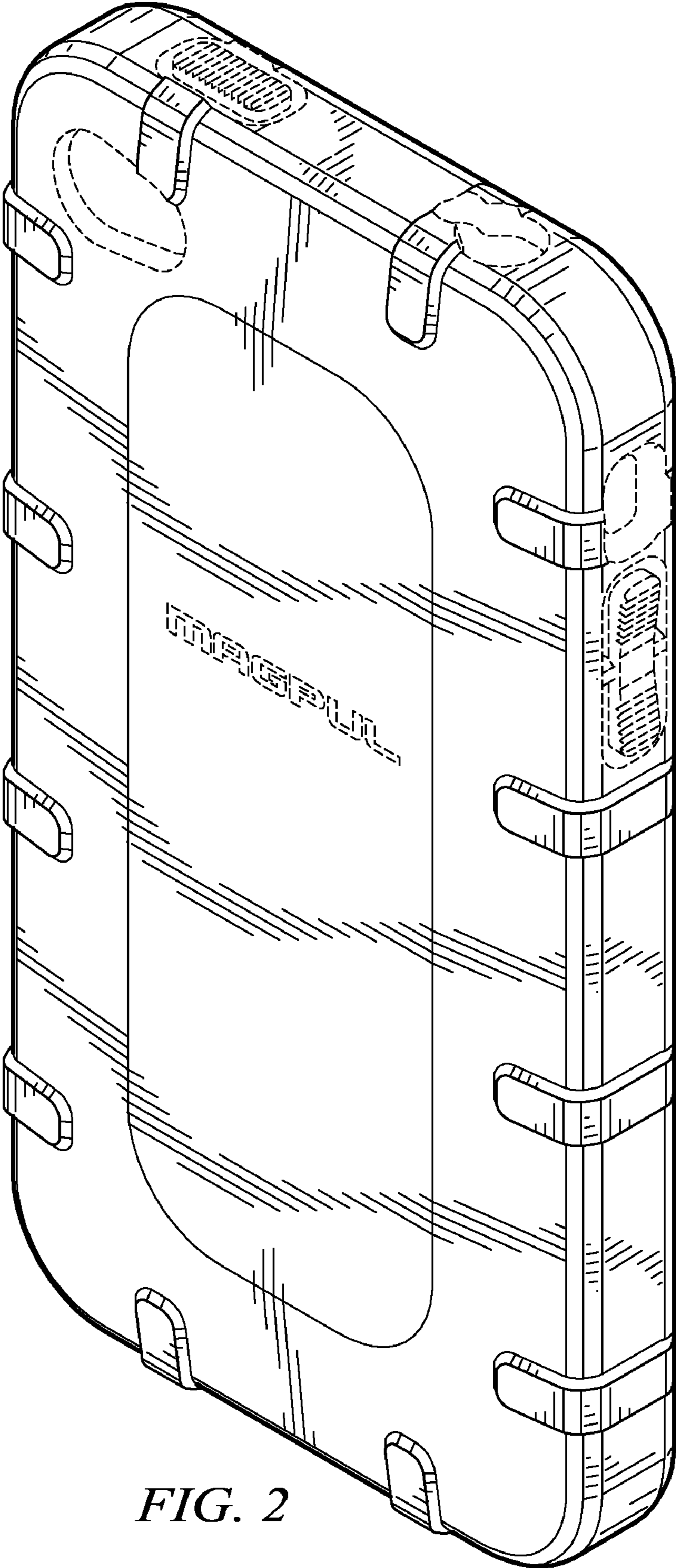


FIG. 2

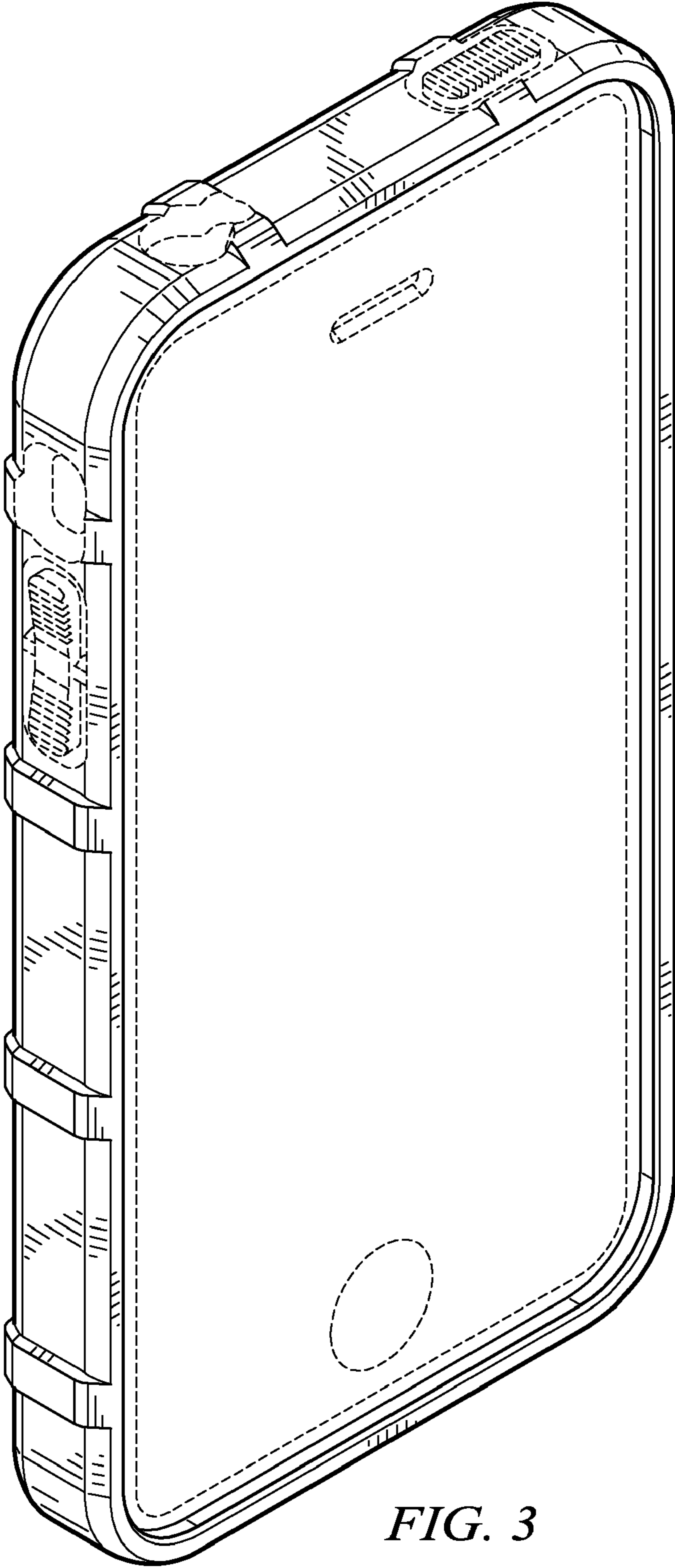


FIG. 3

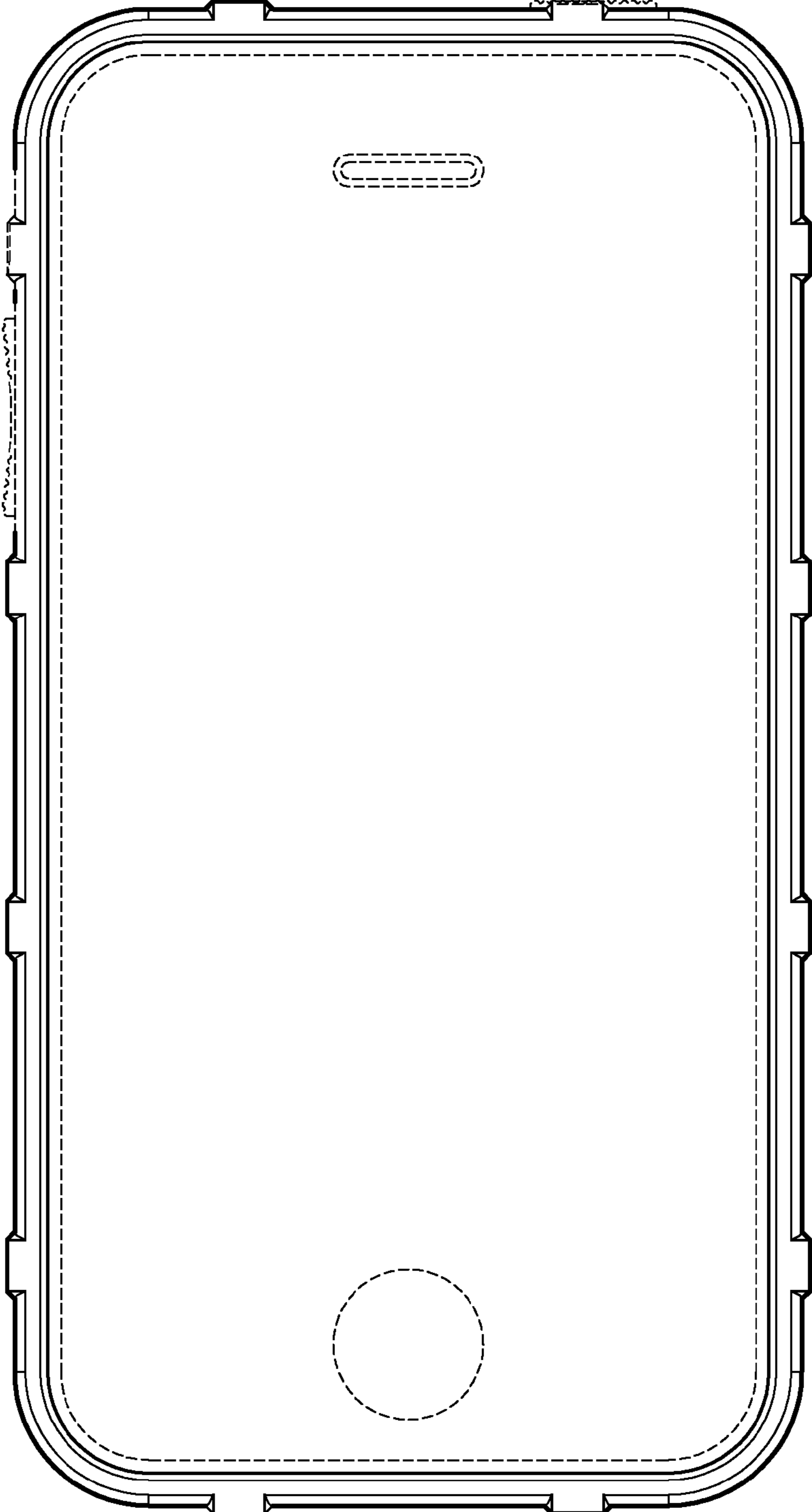


FIG. 4

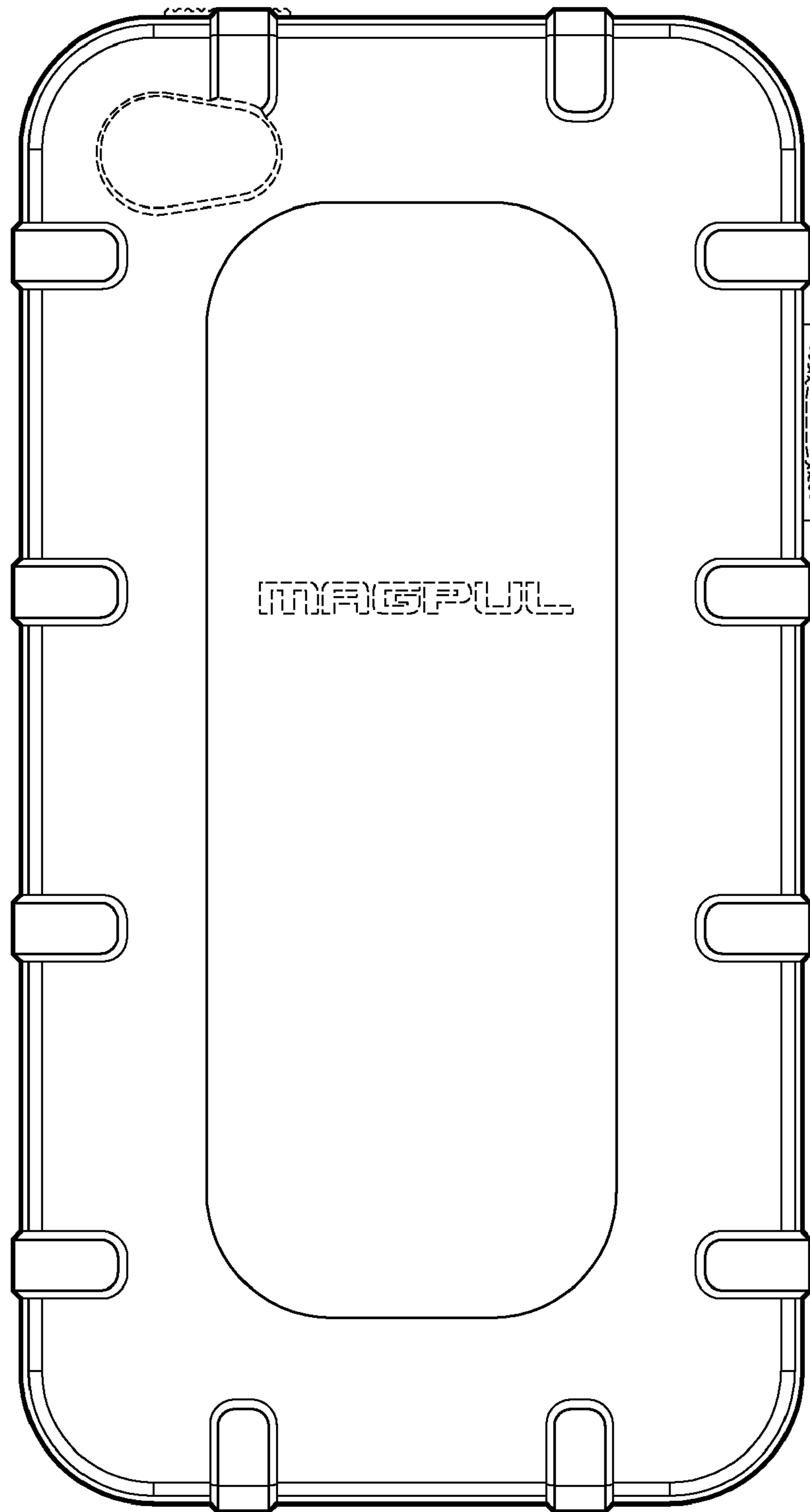


FIG. 5

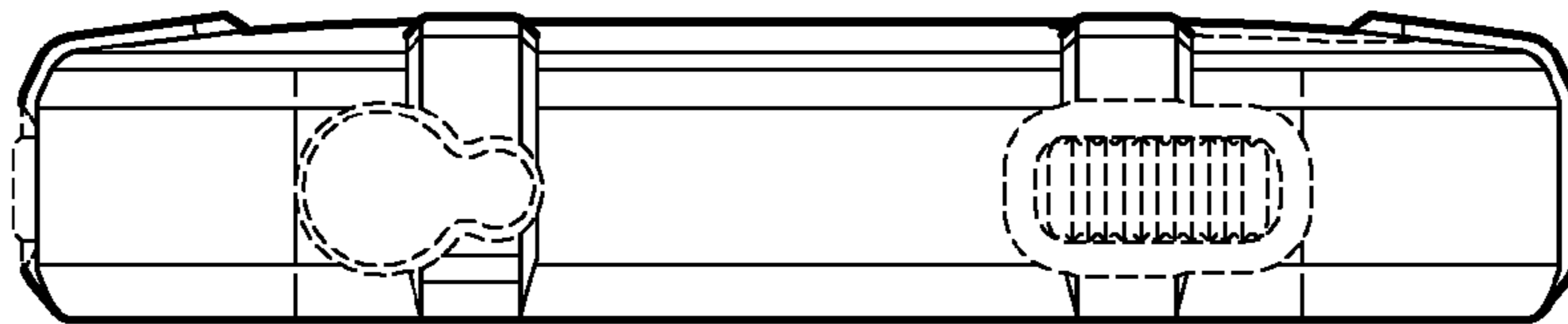


FIG. 6

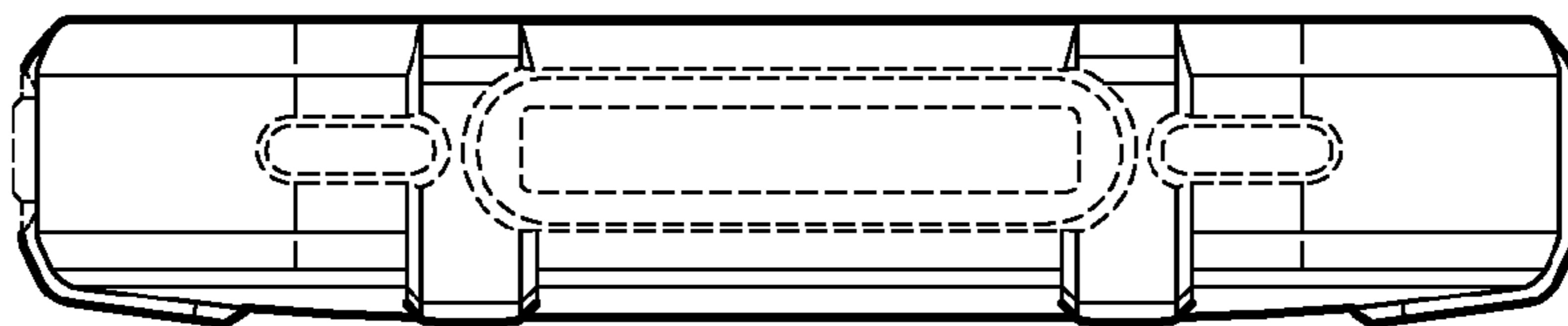


FIG. 7

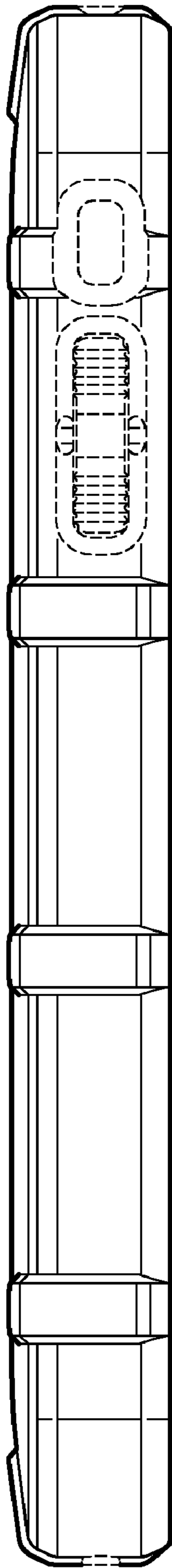


FIG. 8

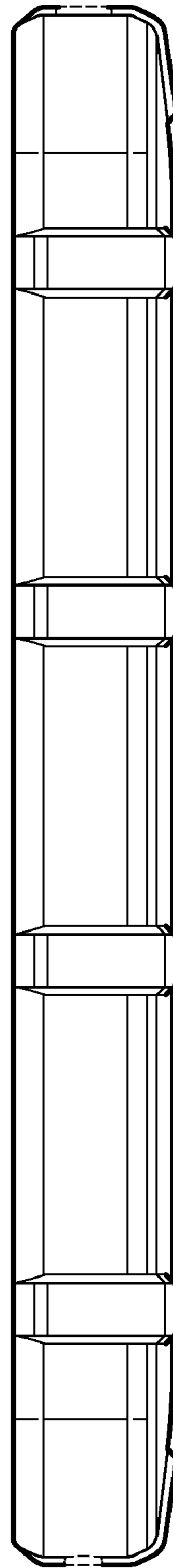


FIG. 9