

US00D662924S

(12) **United States Design Patent**
Melanson et al.

(10) **Patent No.:** **US D662,924 S**

(45) **Date of Patent:** **** Jul. 3, 2012**

(54) **CASE**

(75) Inventors: **Chris Melanson**, Fort Collins, CO (US);
Adam Havens, Fort Collins, CO (US)

(73) Assignee: **Otter Products, LLC**, Fort Collins, CO
(US)

(**) Term: **14 Years**

(21) Appl. No.: **29/378,265**

(22) Filed: **Nov. 2, 2010**

(51) **LOC (9) Cl.** **14-03**

(52) **U.S. Cl.** **D14/250**

(58) **Field of Classification Search** D3/201,
D3/215, 218, 269, 273, 294; D14/140, 142,
D14/203.3, 217, 218, 240, 242, 250–253,
D14/299, 358, 440, 450; D13/103, 107,
D13/108.119; 220/4.02; 224/119, 191, 240,
224/241, 245, 682, 683; 248/309.1; 361/679.3,
361/679.56; 379/454, 455; 455/575.1, 575.6,
455/575.7, 575.8, 575.9; 190/100; 206/305,
206/320

See application file for complete search history.

(56) **References Cited**

U.S. PATENT DOCUMENTS

D654,069 S * 2/2012 Kwon et al. D14/250
D654,483 S * 2/2012 Richardson et al. D14/250
D654,484 S * 2/2012 Chang et al. D14/250

D654,488 S * 2/2012 Chang et al. D14/250
D654,489 S * 2/2012 Weller et al. D14/250
D654,490 S * 2/2012 Weller et al. D14/250
D654,491 S * 2/2012 Melanson et al. D14/250
D654,492 S * 2/2012 Melanson et al. D14/250

* cited by examiner

Primary Examiner — Raphael Barkai

Assistant Examiner — Randall Gholson

(57) **CLAIM**

The ornamental design for a case, as shown and described.

DESCRIPTION

FIG. 1 is a front isometric view of a case showing our new design;

FIG. 2 is a rear isometric view thereof;

FIG. 3 is a front view thereof;

FIG. 4 is a rear view thereof;

FIG. 5 is a left view thereof;

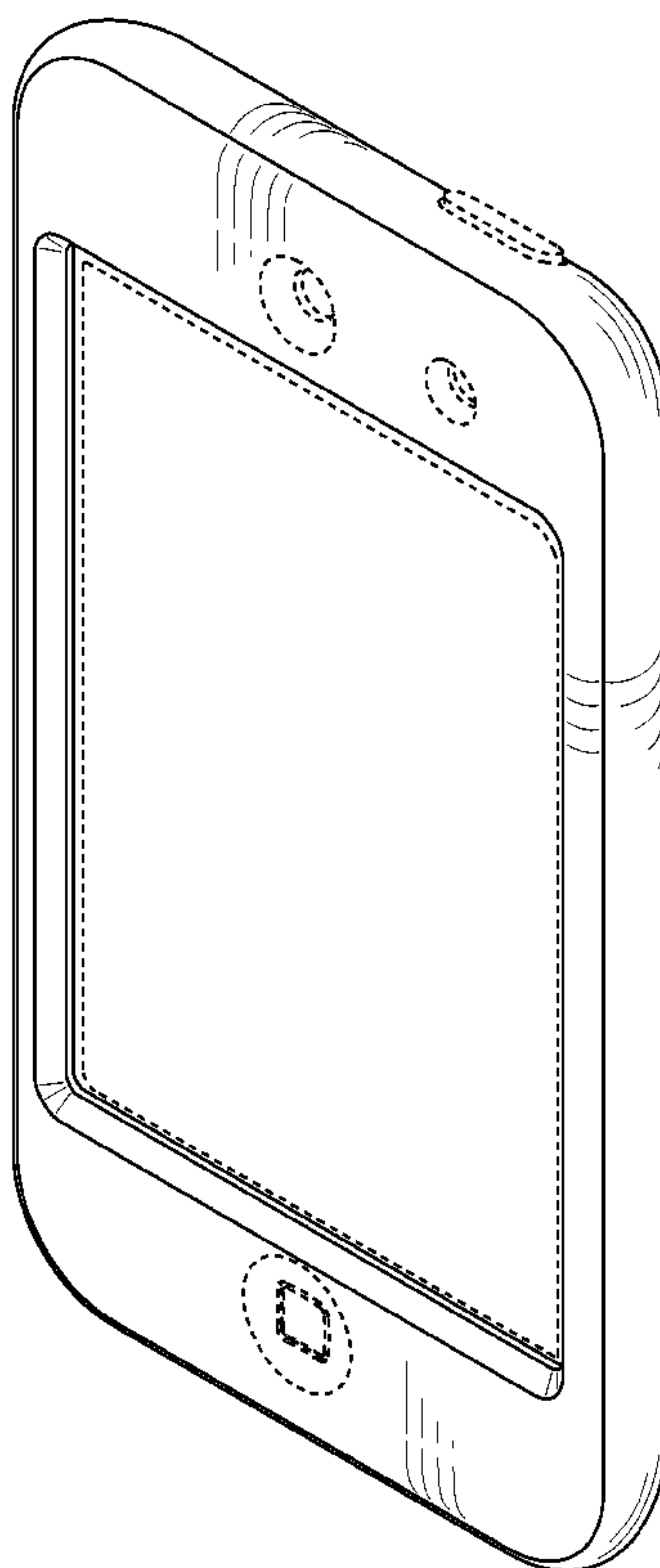
FIG. 6 is a right view thereof;

FIG. 7 is a top view thereof; and,

FIG. 8 is a bottom view thereof.

The broken line perimeter of the large unshaded rectangular region on the front of the case in FIGS. 1 and 3 represents a boundary of the claimed design. All other broken lines depict unclaimed environment. The broken lines and unshaded regions bounded by broken lines form no part of the claimed design.

1 Claim, 6 Drawing Sheets



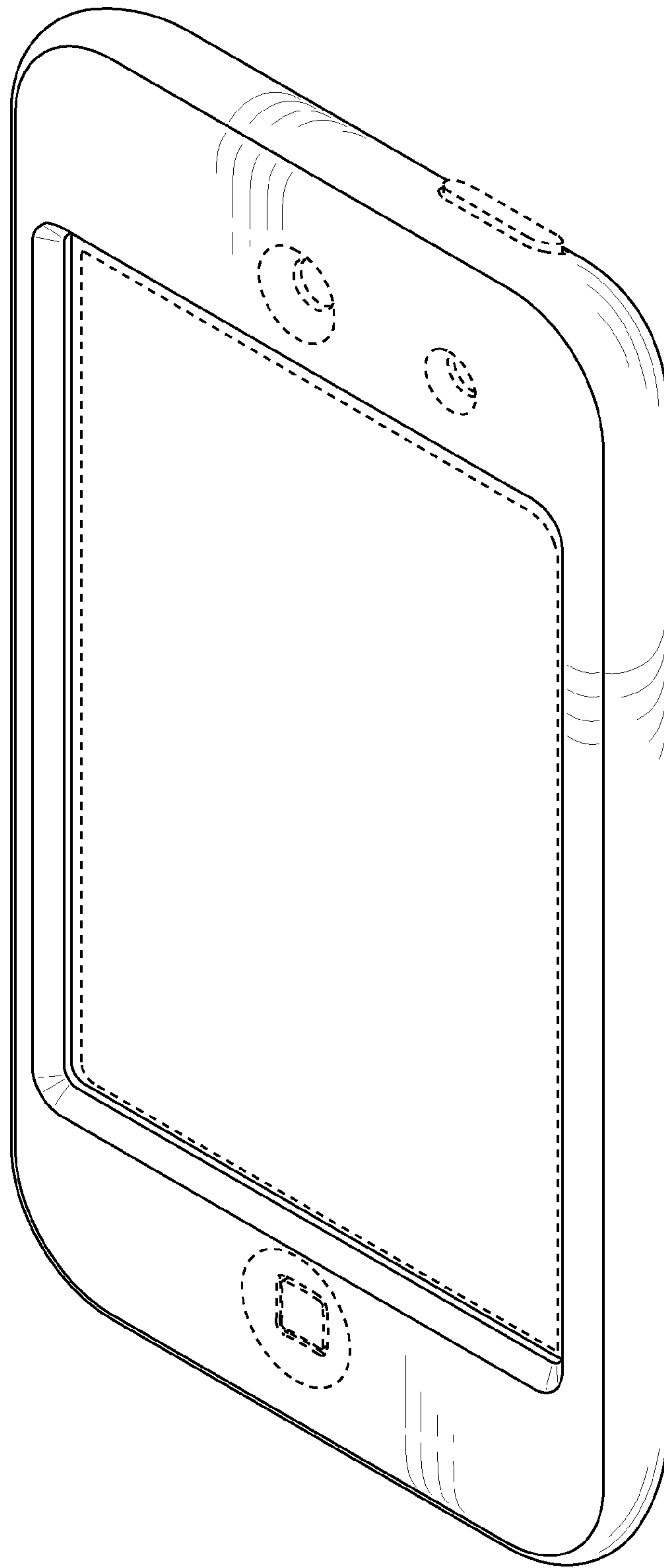


FIG. 1

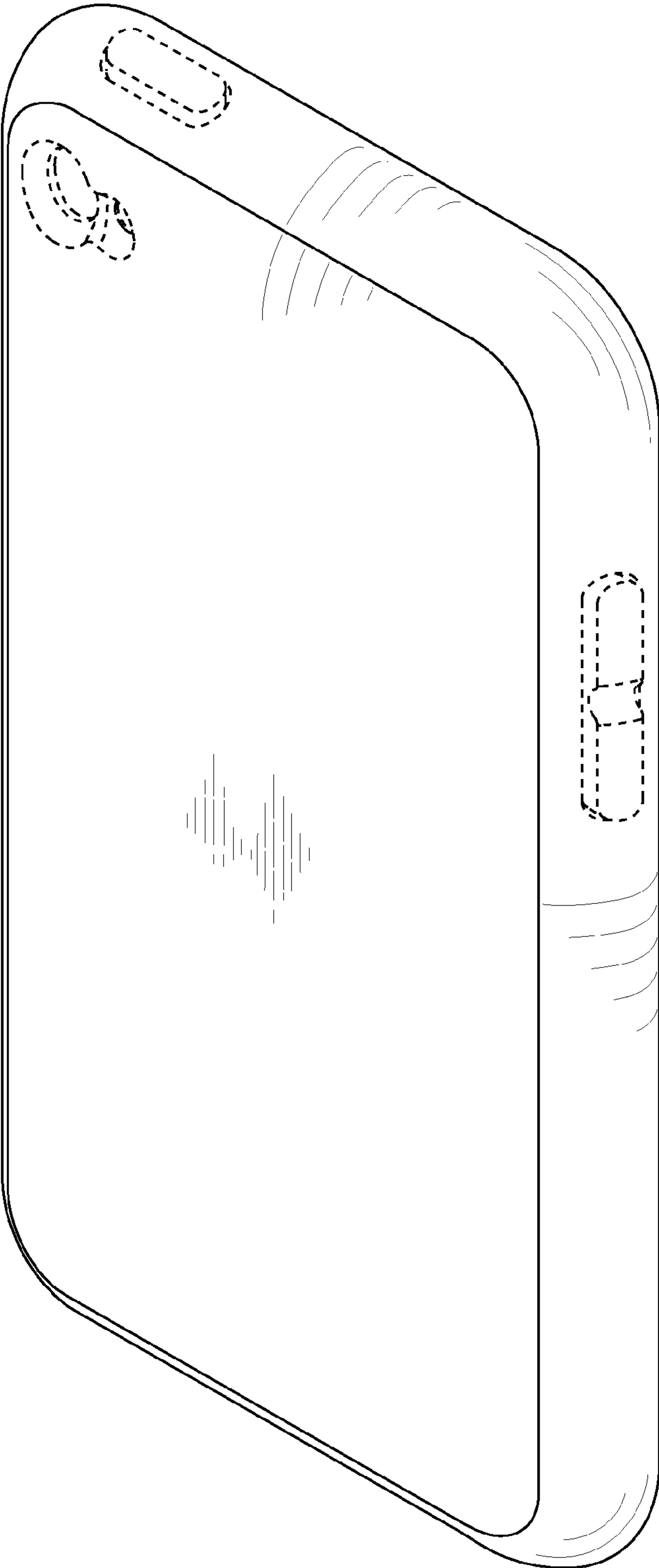


FIG. 2

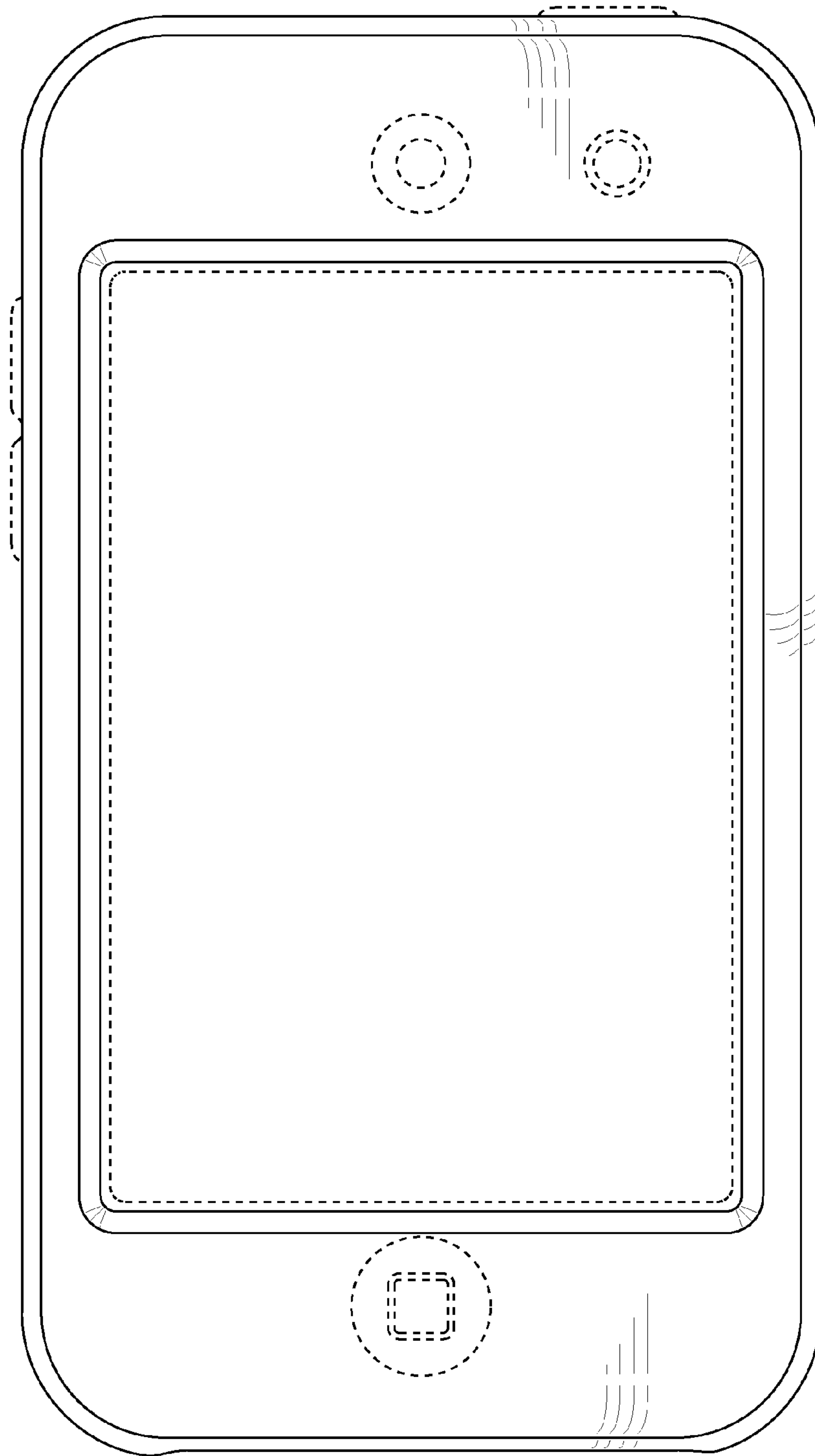


FIG. 3

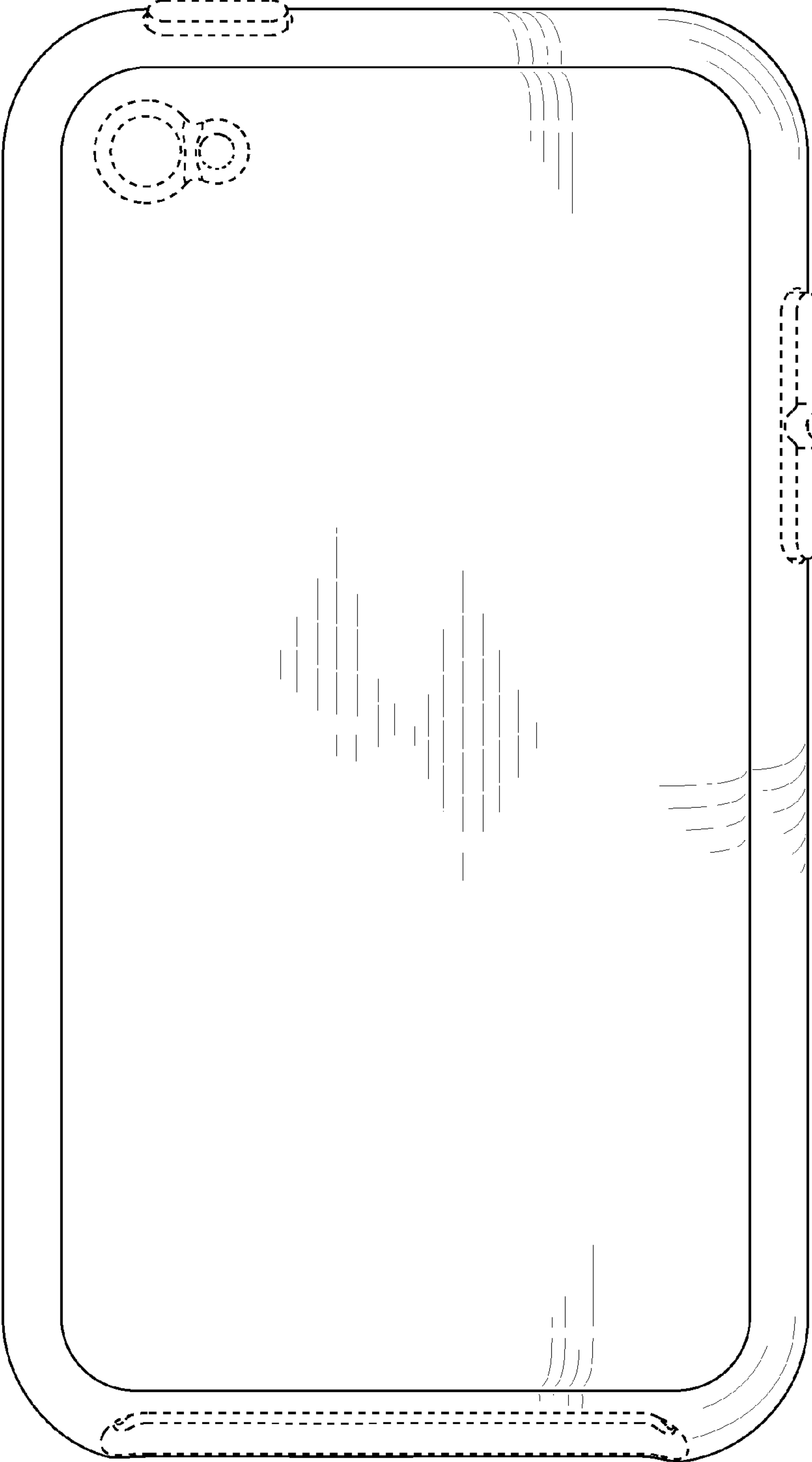


FIG. 4

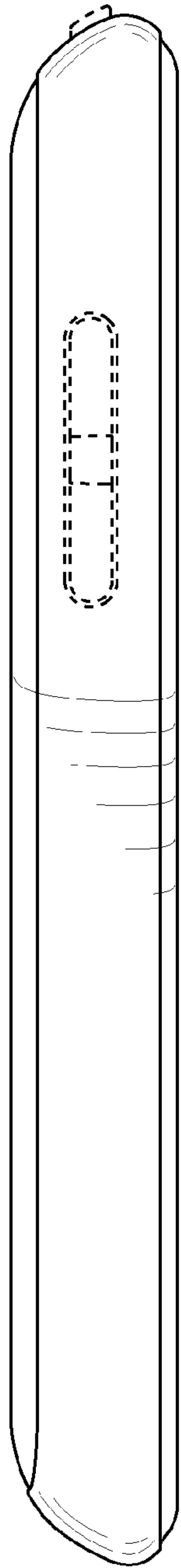


FIG. 5

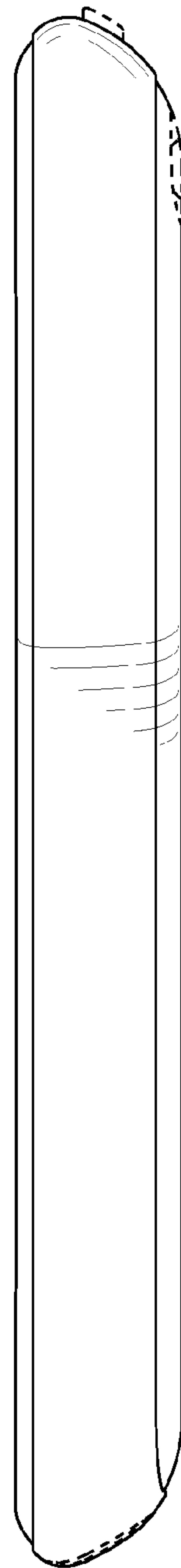


FIG. 6

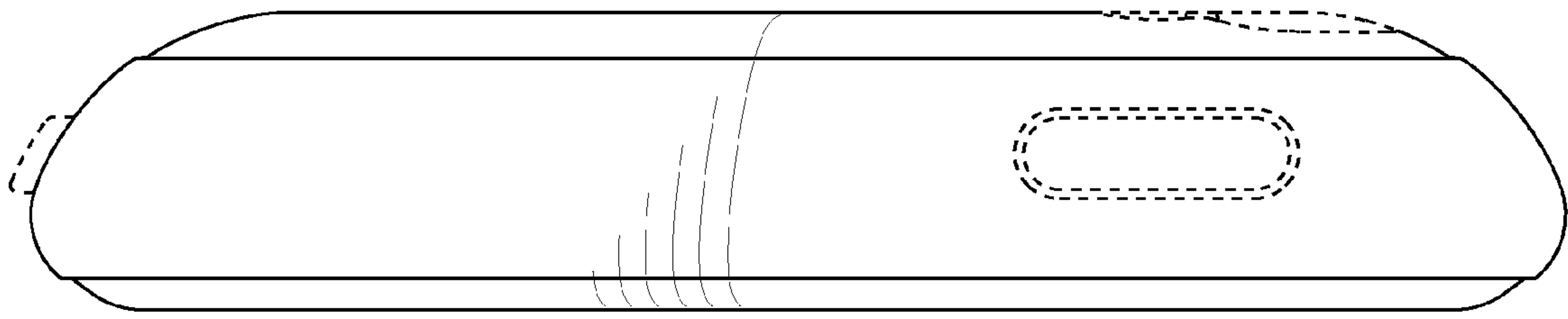


FIG. 7

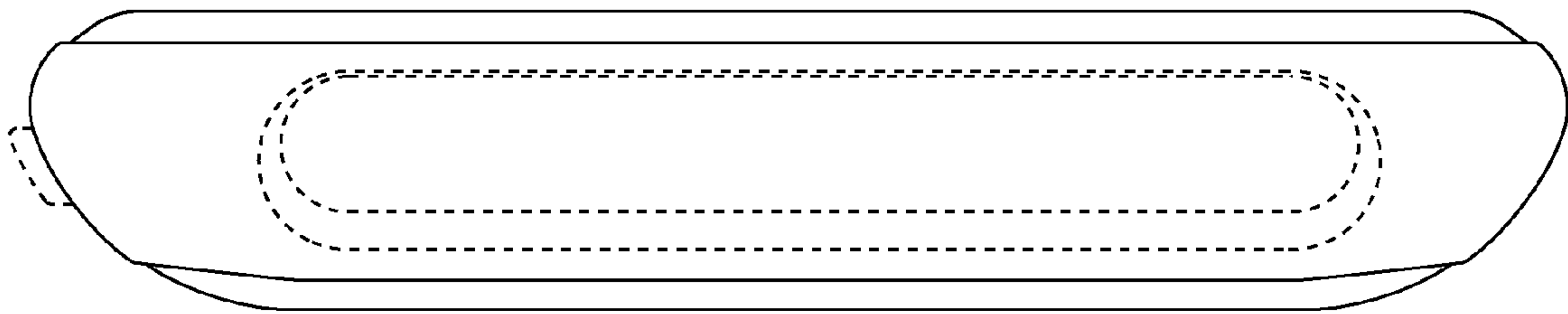


FIG. 8