



US00D662922S

(12) **United States Design Patent**  
**Akana et al.**

(10) **Patent No.:** **US D662,922 S**  
(45) **Date of Patent:** **\*\* Jul. 3, 2012**

(54) **FRONT COVER OF AN ELECTRONIC DEVICE**

455/575.7, 575.8, 575.9; 190/100; 206/305,  
206/320

See application file for complete search history.

(75) Inventors: **Jody Akana**, San Francisco, CA (US);  
**Bartley K. Andre**, Menlo Park, CA (US); **Jeremy Bataillou**, San Francisco, CA (US); **Daniel J. Coster**, San Francisco, CA (US); **Daniele De Iuliis**, San Francisco, CA (US); **Richard Hung Minh Dinh**, San Jose, CA (US); **Evans Hankey**, San Francisco, CA (US); **Richard P. Howarth**, San Francisco, CA (US); **Jonathan P. Ive**, San Francisco, CA (US); **Steve Jobs**, Palo Alto, CA (US); **Duncan Robert Kerr**, San Francisco, CA (US); **Scott A. Myers**, San Francisco, CA (US); **Shin Nishibori**, Portola Valley, CA (US); **David A. Pakula**, San Francisco, CA (US); **Matthew Dean Rohrbach**, San Francisco, CA (US); **Peter Russell-Clarke**, San Francisco, CA (US); **Christopher J. Stringer**, Woodside, CA (US); **Tang Yew Tan**, San Francisco, CA (US); **Eugene Antony Whang**, San Francisco, CA (US); **Rico Zorkendorfer**, San Francisco, CA (US)

(56) **References Cited**

U.S. PATENT DOCUMENTS

D306,583 S	3/1990	Krolopp et al.
D498,754 S	11/2004	Blyth
D528,542 S	9/2006	Luminosu et al.
D534,143 S	12/2006	Lheem
D558,726 S	1/2008	Wang et al.
D560,683 S	1/2008	Lee
D561,782 S	2/2008	Kim

(Continued)

OTHER PUBLICATIONS

HP Compaq Table PC TC1000, <http://www.hardwarezone.com/au/reviews/view.php?cid=45&id=533&pg=2>. Downloaded Apr. 20, 2010, 1 page. (Updated URL: [http://2009.hardwarezone.com/img/data/articles/2002/533/Evo\\_JamesHand01.jpg](http://2009.hardwarezone.com/img/data/articles/2002/533/Evo_JamesHand01.jpg)).

(Continued)

*Primary Examiner* — Raphael Barkai  
*Assistant Examiner* — Randall Gholson  
(74) *Attorney, Agent, or Firm* — Sterne, Kessler, Goldstein & Fox P.L.L.C.

(57) **CLAIM**

The ornamental design for a front cover of an electronic device, as shown and described.

**DESCRIPTION**

FIG. 1 is a bottom front perspective view of a front cover of an electronic device showing our new design;  
FIG. 2 is a front view thereof;  
FIG. 3 is a rear view thereof;  
FIG. 4 is a left side view thereof;  
FIG. 5 is a right side view thereof;  
FIG. 6 is a bottom view thereof; and,  
FIG. 7 is a top rear perspective view thereof.

The shade lines in the Figures show transparency and not surface ornamentation.

The broken lines in the Figures show portions of the front cover of the electronic device which form no part of the claimed design.

**1 Claim, 6 Drawing Sheets**

(73) Assignee: **Apple Inc.**, Cupertino, CA (US)

(\*\*) Term: **14 Years**

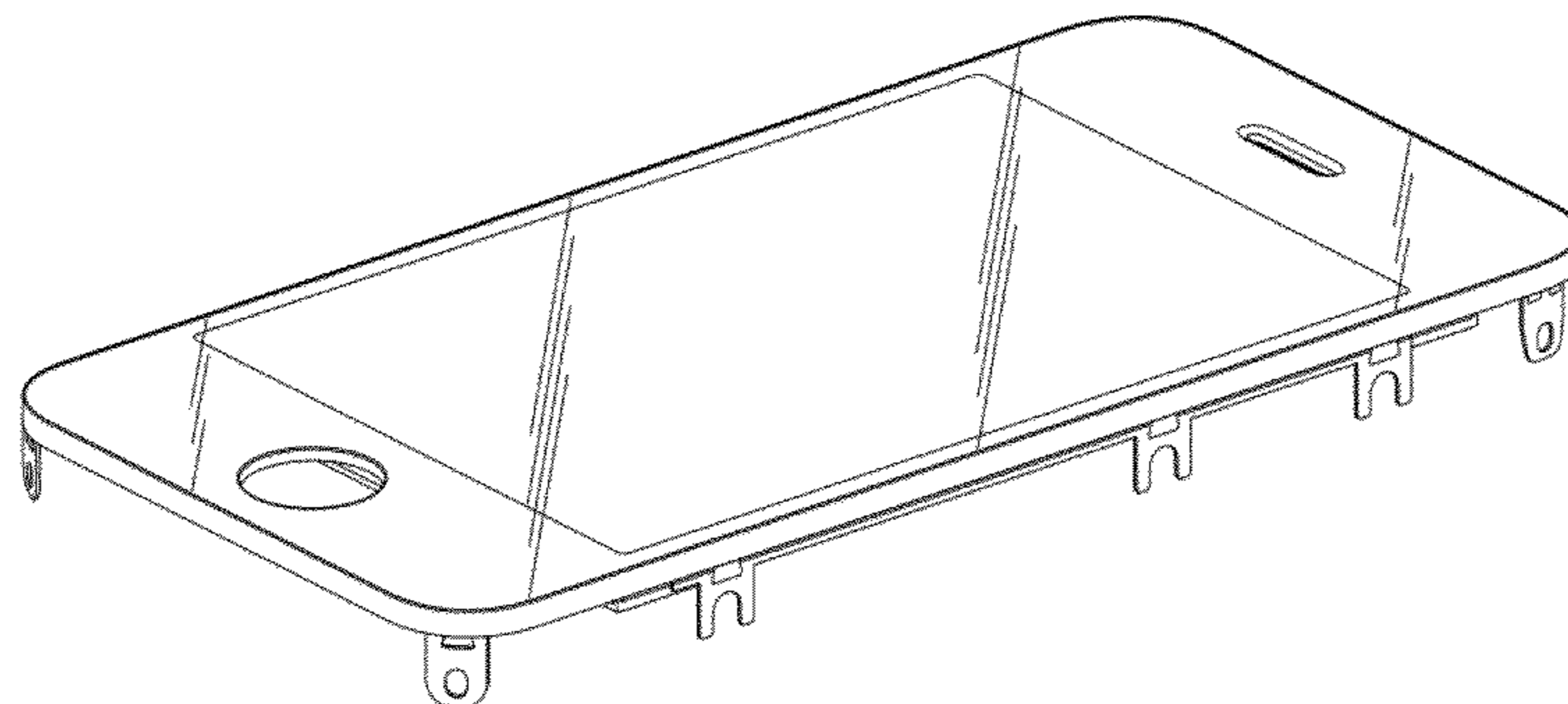
(21) Appl. No.: **29/376,156**

(22) Filed: **Oct. 1, 2010**

(51) **LOC (9) Cl.** ..... **14-03**

(52) **U.S. Cl.** ..... **D14/250**

(58) **Field of Classification Search** ..... D3/201,  
D3/215, 218, 269, 273, 294; D14/140, 142,  
D14/203.3, 217, 218, 240, 242, 250-253,  
D14/299, 358, 440, 450; D13/103, 107,  
D13/108.119; 220/4.02; 224/119, 191, 240,  
224/241, 245, 682, 683; 248/309.1; 361/679.3,  
361/679.56; 379/454, 455; 455/575.1, 575.6,



# US D662,922 S

Page 2

---

## U.S. PATENT DOCUMENTS

D563,432 S 3/2008 Kim  
D567,819 S 4/2008 Devericks et al.  
7,409,059 B2 8/2008 Fujisawa  
D580,387 S 11/2008 Andre et al.  
D581,385 S 11/2008 Park et al.  
D581,922 S 12/2008 Andre et al.  
D583,346 S 12/2008 Jung et al.  
D586,387 S 2/2009 Aznoe et al.  
D593,087 S 5/2009 Andre et al.  
D602,014 S 10/2009 Andre et al.  
D602,015 S 10/2009 Andre et al.  
D602,488 S 10/2009 Jiang et al.  
7,660,560 B2 2/2010 Zuo et al.  
D613,735 S 4/2010 Andre et al.  
D618,678 S 6/2010 Andre et al.

7,876,274 B2 1/2011 Hobson et al.  
D633,493 S 3/2011 Akana et al.  
D633,908 S 3/2011 Akana et al.  
2004/0223004 A1 11/2004 Lincke et al.  
2005/0130715 A1 6/2005 Fujisawa  
2009/0067141 A1 3/2009 Dabov et al.  
2009/0245565 A1 10/2009 Mittleman et al.  
2009/0247244 A1 10/2009 Mittleman et al.

## OTHER PUBLICATIONS

Co-pending U.S. Appl. No. 29/363,167, Inventors Jody Akana et al.,  
filed Jun. 5, 2010 (Not Published).

Co-pending U.S. Appl. No. 29/379,707, Inventors Jody Akana et al.,  
filed Nov. 23, 2010 (Not Published).

Co-pending U.S. Appl. No. 29/385,079, Inventors Jody Akana et al.,  
filed Feb. 8, 2011 (Not Published).

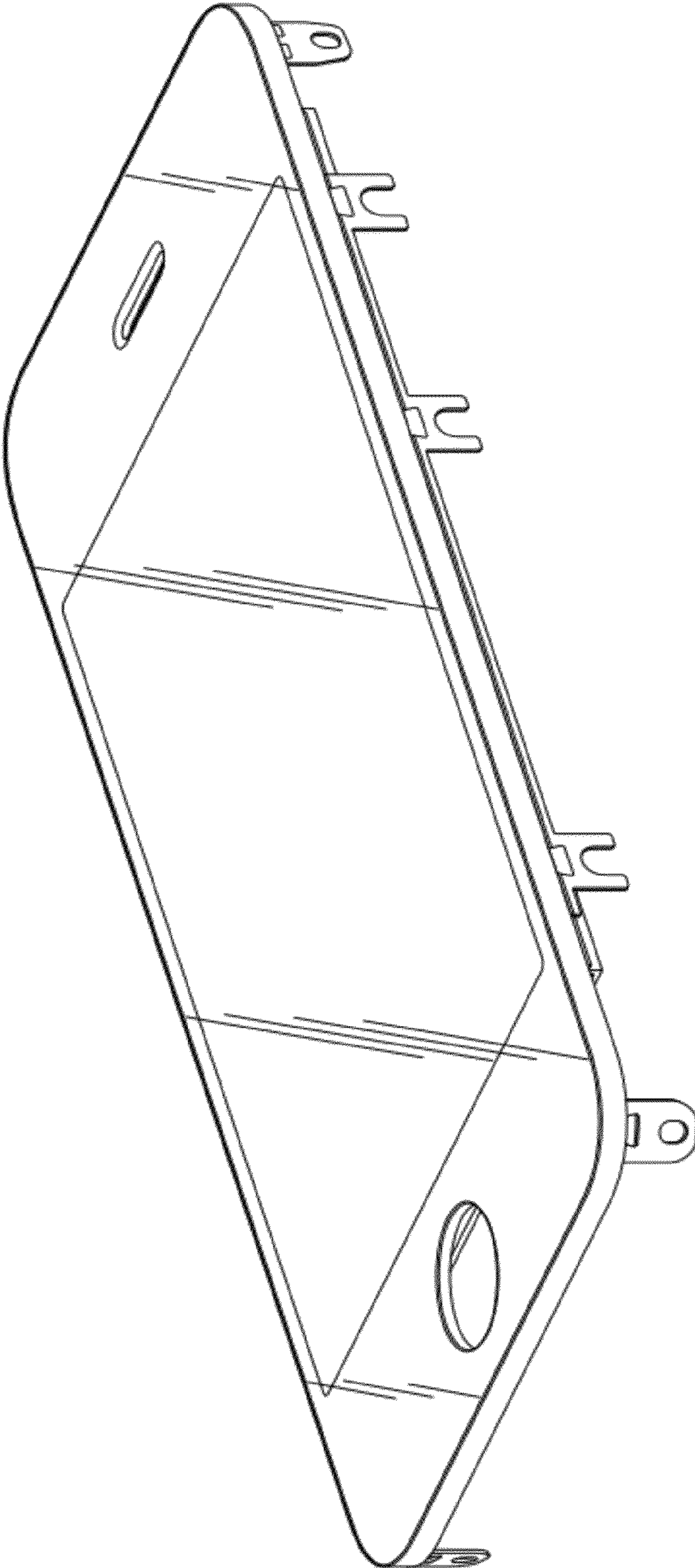
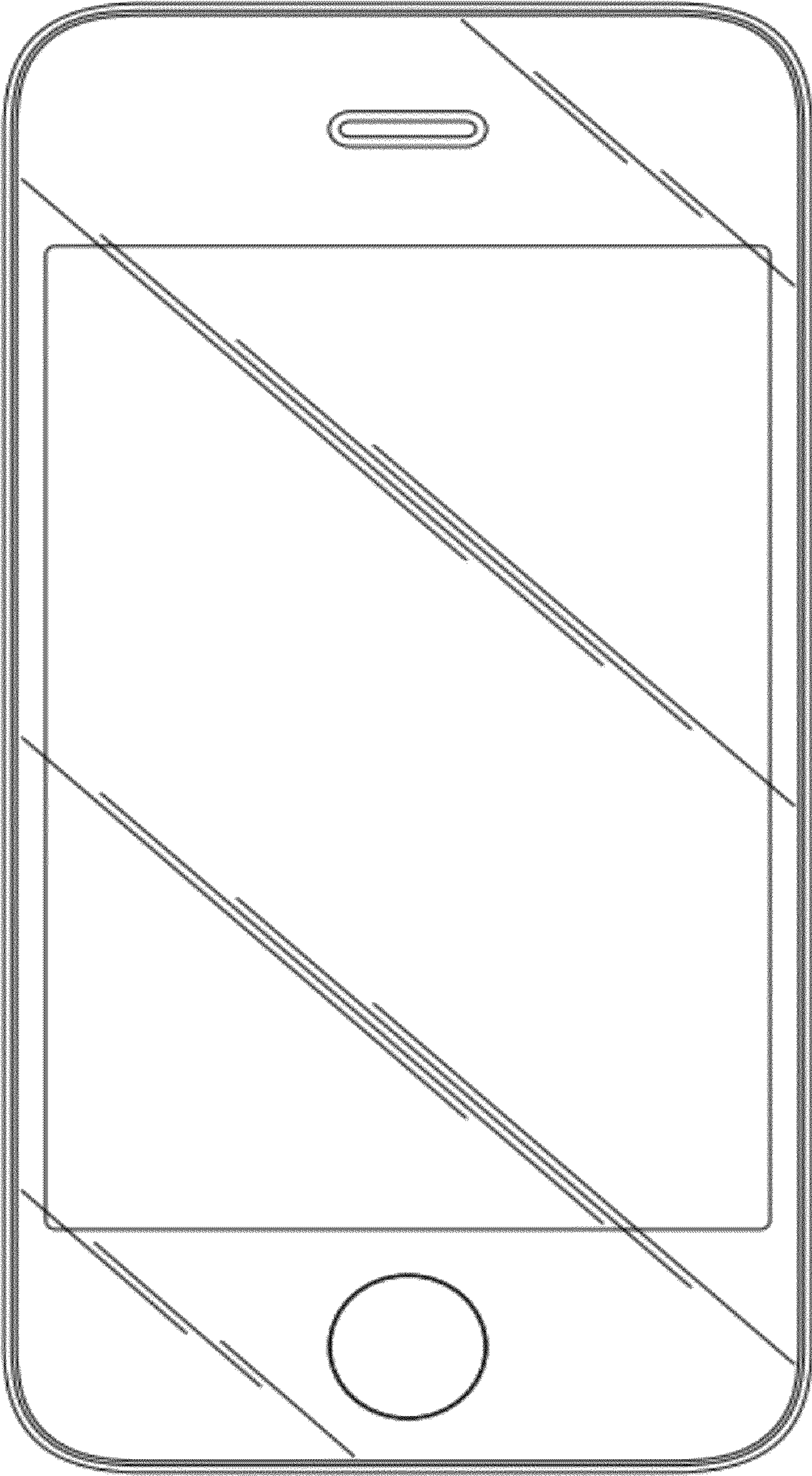
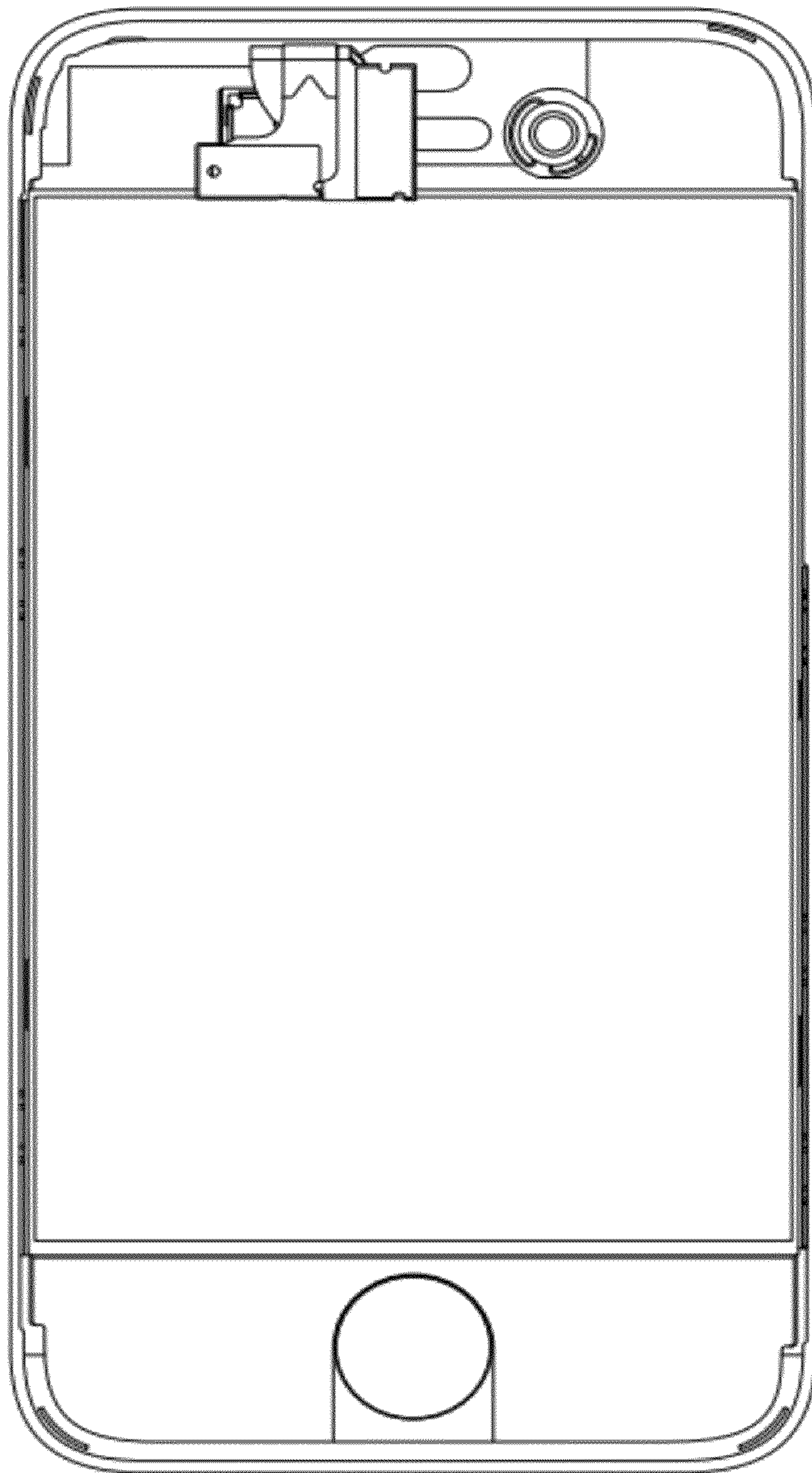


FIG. 1



**FIG. 2**



**FIG. 3**

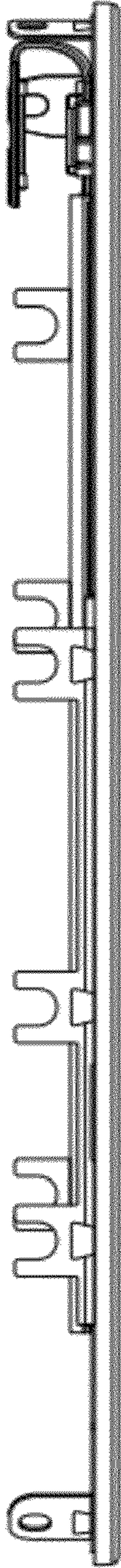


FIG. 4

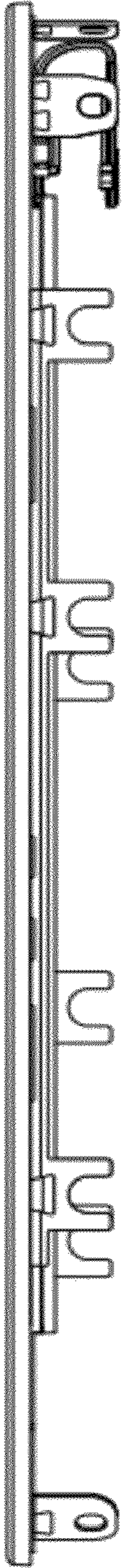


FIG. 5



**FIG. 6**

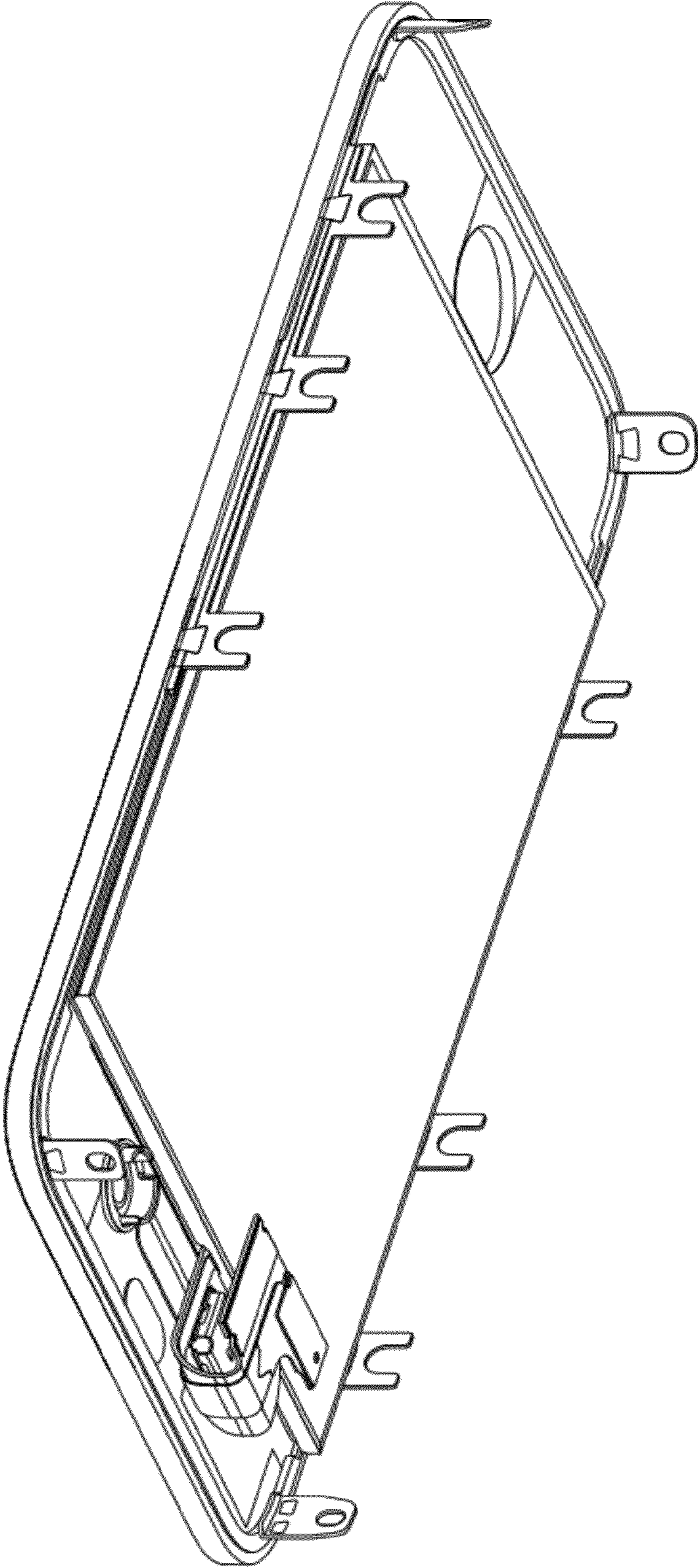


FIG. 7