



US00D662921S

(12) **United States Design Patent**
Clements et al.

(10) **Patent No.:** **US D662,921 S**
(45) **Date of Patent:** **** Jul. 3, 2012**

(54) **AUDIO INTERFACE**

(75) Inventors: **Daniel V. Clements**, Crown Point, IN (US); **Matthew B. Ansley**, Muskego, WI (US); **Sanjay Batra**, Chicago, IL (US); **Sean N. Davie**, Lawrenceville, GA (US); **Sean P. Daw**, Grayslake, IL (US)

(73) Assignee: **Motorola Mobility, Inc.**, Libertyville, IL (US)

(**) Term: **14 Years**

(21) Appl. No.: **29/376,212**

(22) Filed: **Oct. 4, 2010**

(51) **LOC (9) Cl.** **14-03**

(52) **U.S. Cl.** **D14/243**

(58) **Field of Classification Search** D14/240–243, D14/356–358, 140, 140.1, 140.6, 155, 159, D14/137, 149–151, 348, 349, 351, 353–355, D14/170, 224, 225, 217, 125, 352, 363, 433, D14/435, 435.1, 188, 196, 223, 203.2, 203.3, D14/203.4, 203.7, 480.7, 496; D13/107–108, D13/168, 184; D12/417; D21/329; 361/679.3, 361/679.56; 381/374, 380; 455/3.06, 41.3
See application file for complete search history.

(56) **References Cited**

U.S. PATENT DOCUMENTS

D363,723	S	*	10/1995	Hellier et al.	D14/243
D380,199	S	*	6/1997	Beruscha et al.	D13/184
6,125,030	A	*	9/2000	Mola et al.	361/679.56
D541,272	S	*	4/2007	Wang	D14/356
D558,834	S	*	1/2008	Au Yeung	D21/329
D566,710	S	*	4/2008	Chun et al.	D14/358
D569,352	S	*	5/2008	Gordon et al.	D13/168
D575,775	S	*	8/2008	Sekine	D14/242
D582,418	S	*	12/2008	Kim et al.	D14/435.1
D583,365	S	*	12/2008	Suk et al.	D14/240
D585,878	S	*	2/2009	Jung	D14/223
D589,531	S	*	3/2009	Fullerton	D14/496
D591,751	S	*	5/2009	Ku	D14/435
D601,152	S	*	9/2009	Moshes et al.	D14/480.7

D608,767	S	*	1/2010	Liner	D14/225
D618,203	S	*	6/2010	Bradford	D14/203.2
D621,818	S	*	8/2010	Johnson	D14/225
7,839,627	B2	*	11/2010	Tanaka et al.	361/679.3
D632,283	S	*	2/2011	Cheng	D14/225
D640,649	S	*	6/2011	Luo	D14/125
D644,989	S	*	9/2011	Guccione et al.	D13/108
8,055,005	B2	*	11/2011	Liu et al.	381/374
D650,327	S	*	12/2011	Kingston	D13/107
D651,590	S	*	1/2012	Kang et al.	D14/224
2009/0052717	A1	*	2/2009	Chi	381/380
2010/0003919	A1	*	1/2010	Shen	455/41.3

OTHER PUBLICATIONS

Review of Motorola Roadster Review [In-Car Bluetooth Speakerphone], posted Feb. 21, 2011, <URL:http://androidcommunity.com/motorola-roadster-review-in-car-bluetooth-speakerphone-20110221/>, retrieved from internet on Jan. 22, 2012.*

(Continued)

Primary Examiner — Carla Wright

(57) **CLAIM**

The ornamental design for an audio interface, as shown and described.

DESCRIPTION

FIG. 1 is a front perspective view of an ornamental design for an audio interface;

FIG. 2 is a rear perspective view thereof;

FIG. 3 is a front view thereof;

FIG. 4 is a rear view thereof;

FIG. 5 is a first side view thereof;

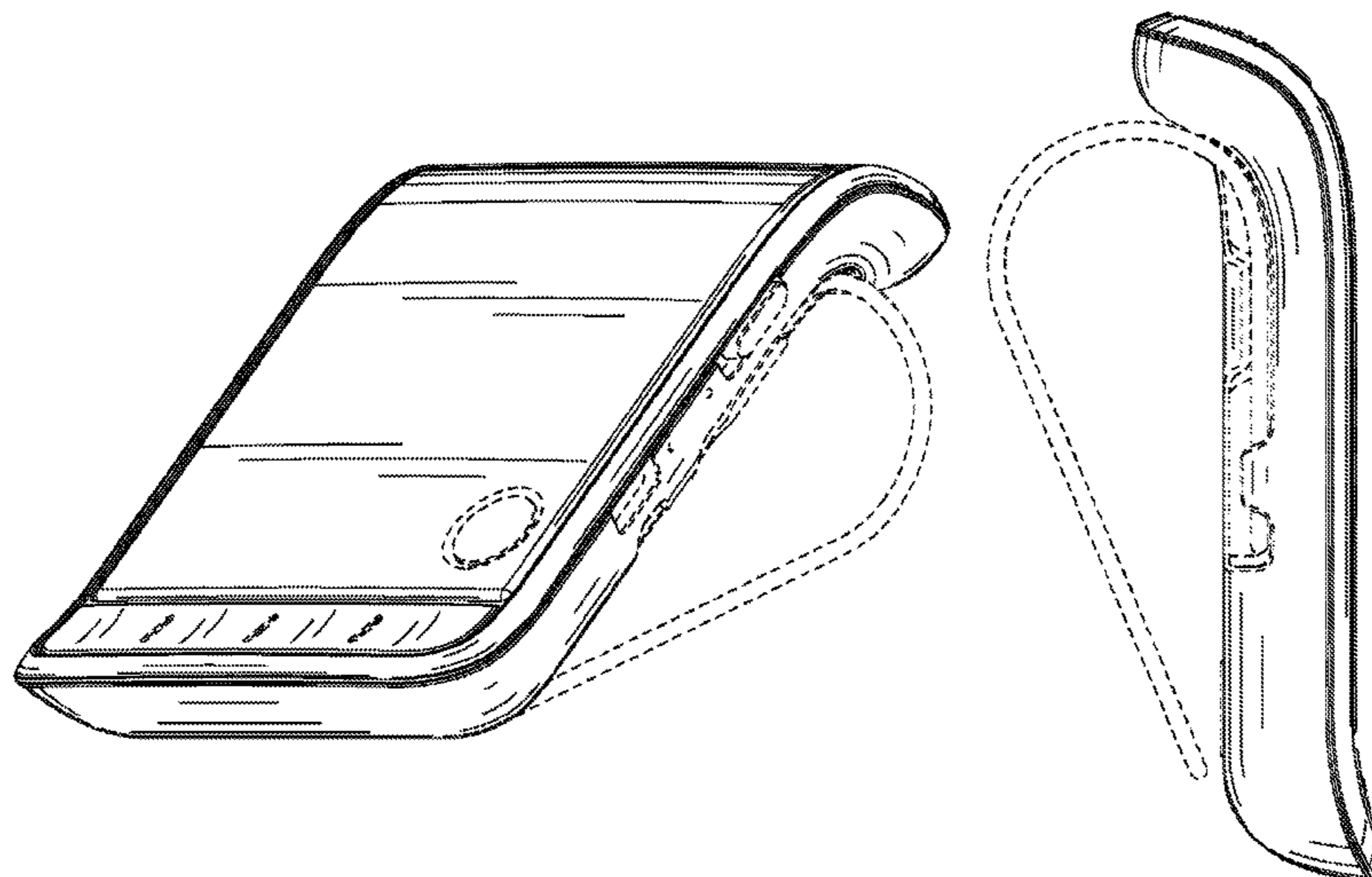
FIG. 6 is a second side view thereof;

FIG. 7 is a top view thereof; and,

FIG. 8 is a bottom view thereof.

The broken lines that are immediately adjacent to the shaded areas, and define unshaded regions, represent the bounds of the claimed design. All other broken lines depict unclaimed environment. The broken lines form no part of the claimed design.

1 Claim, 6 Drawing Sheets



OTHER PUBLICATIONS

Jabra CRUISER2 In-car Bluetooth Speakerphone, posted Jan. 5, 2011; Scosche soIVUE Solar-powered Bluetooth Speakerphone, Dec. 21, 2010; BlueAnt S4 Hands-free Voice Controlled Bluetooth

Car Speakerphone, May 18, 2010; Motorola T215 Bluetooth In-car Speakerphone, Jul. 19, 2009; <URL: <http://www.itechnews.net/tag/speakerphone/>>, retrieved from internet Jan. 23, 2012.*

* cited by examiner

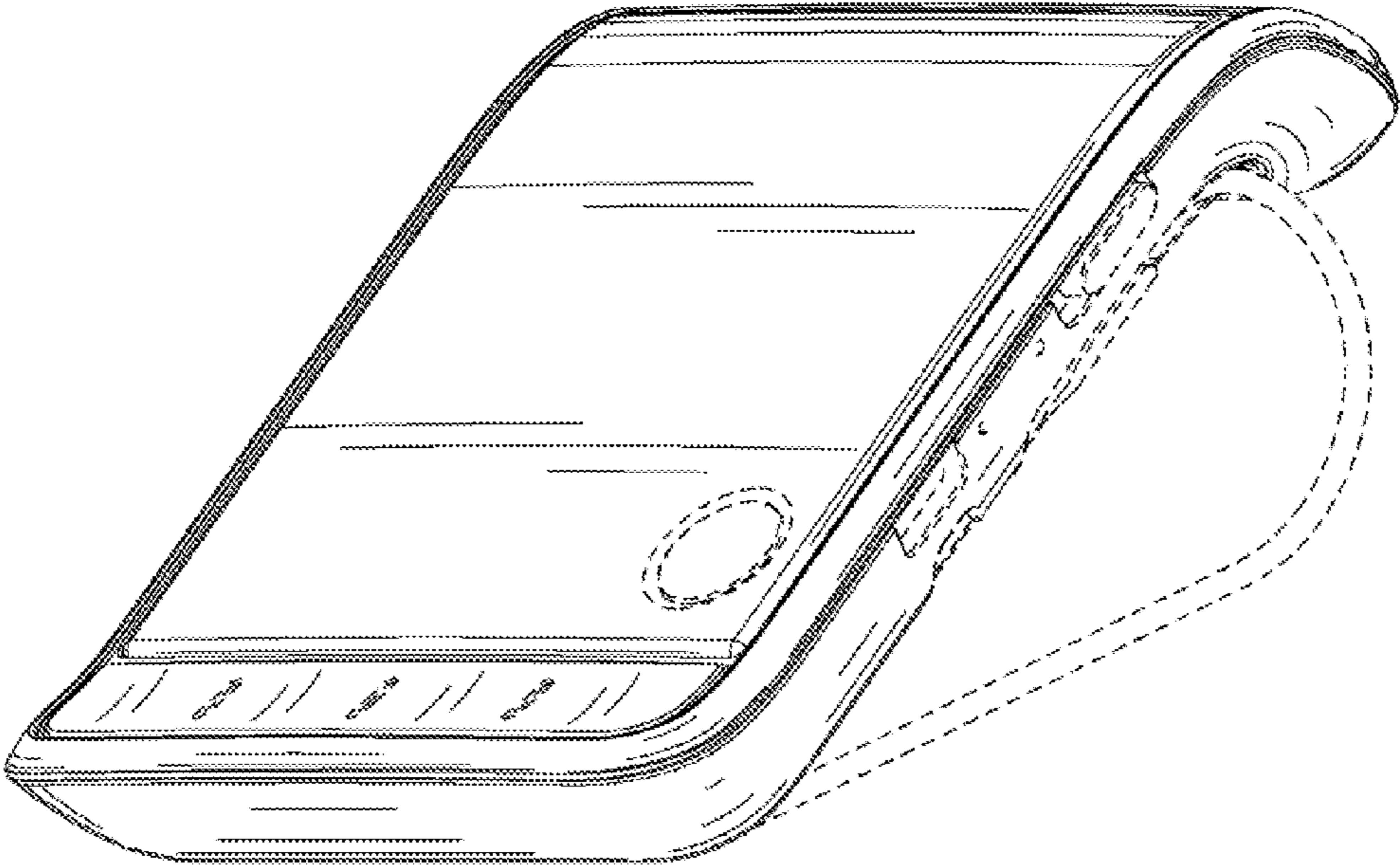


FIG. 1

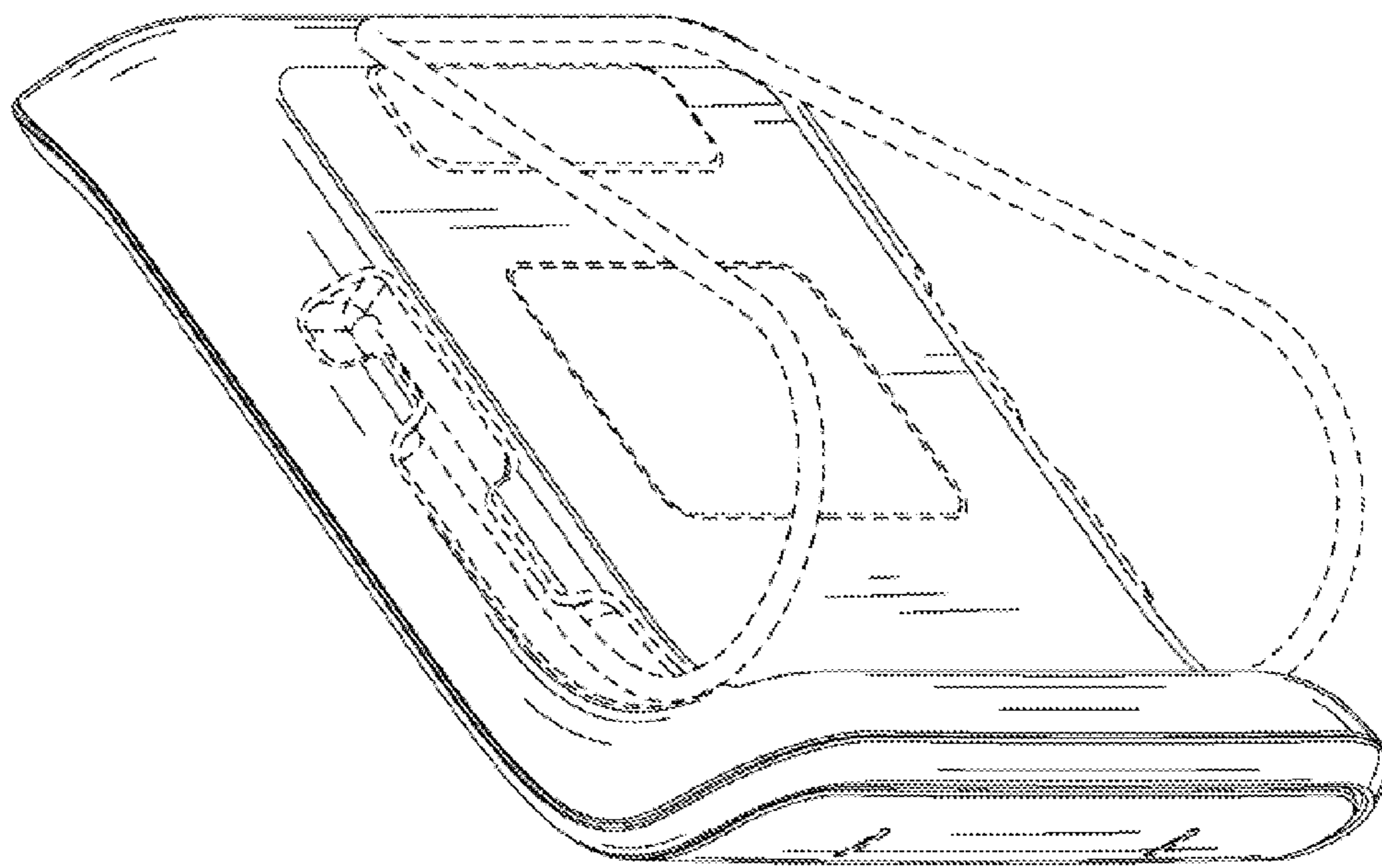


FIG. 2

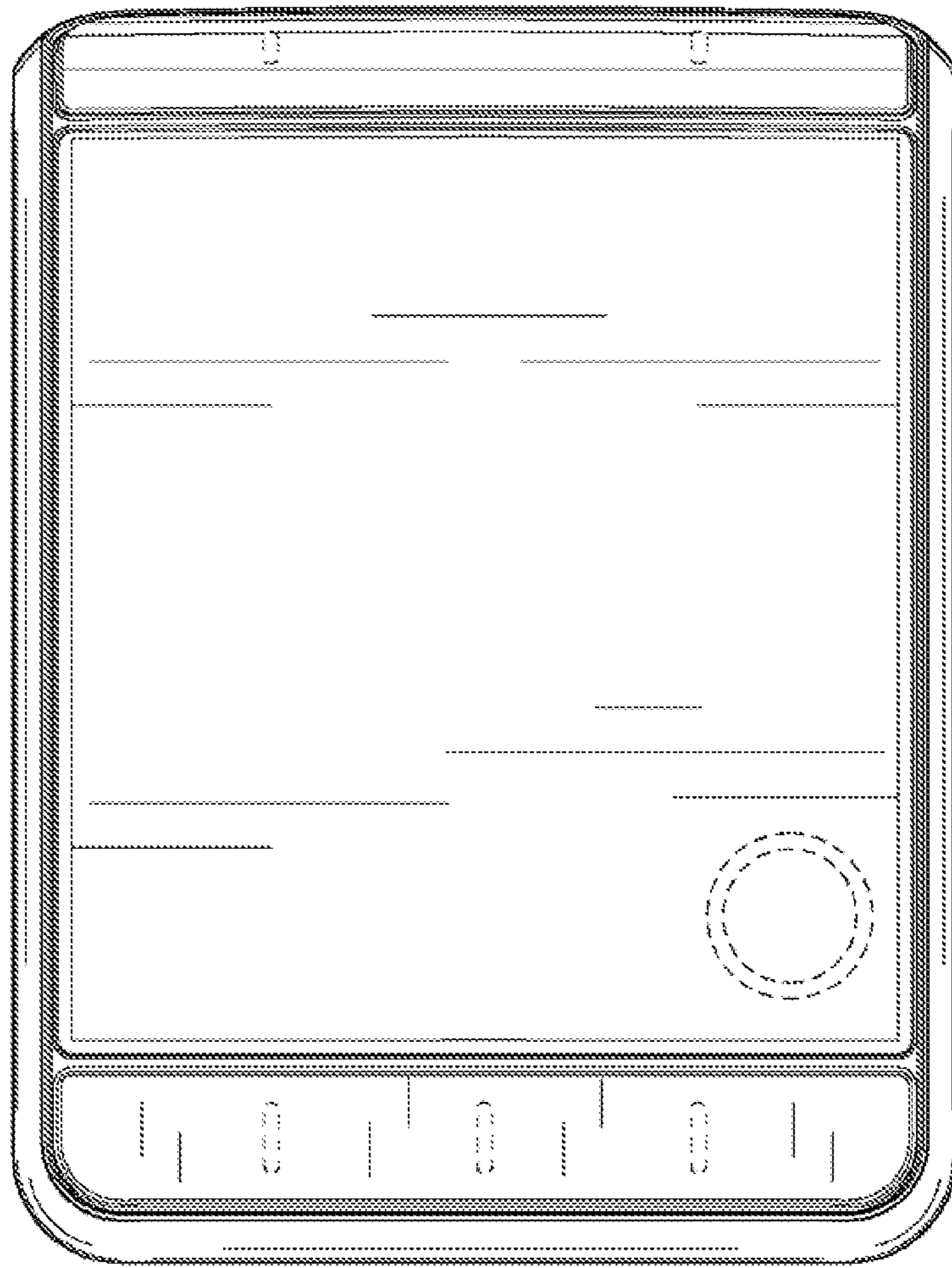


FIG. 3

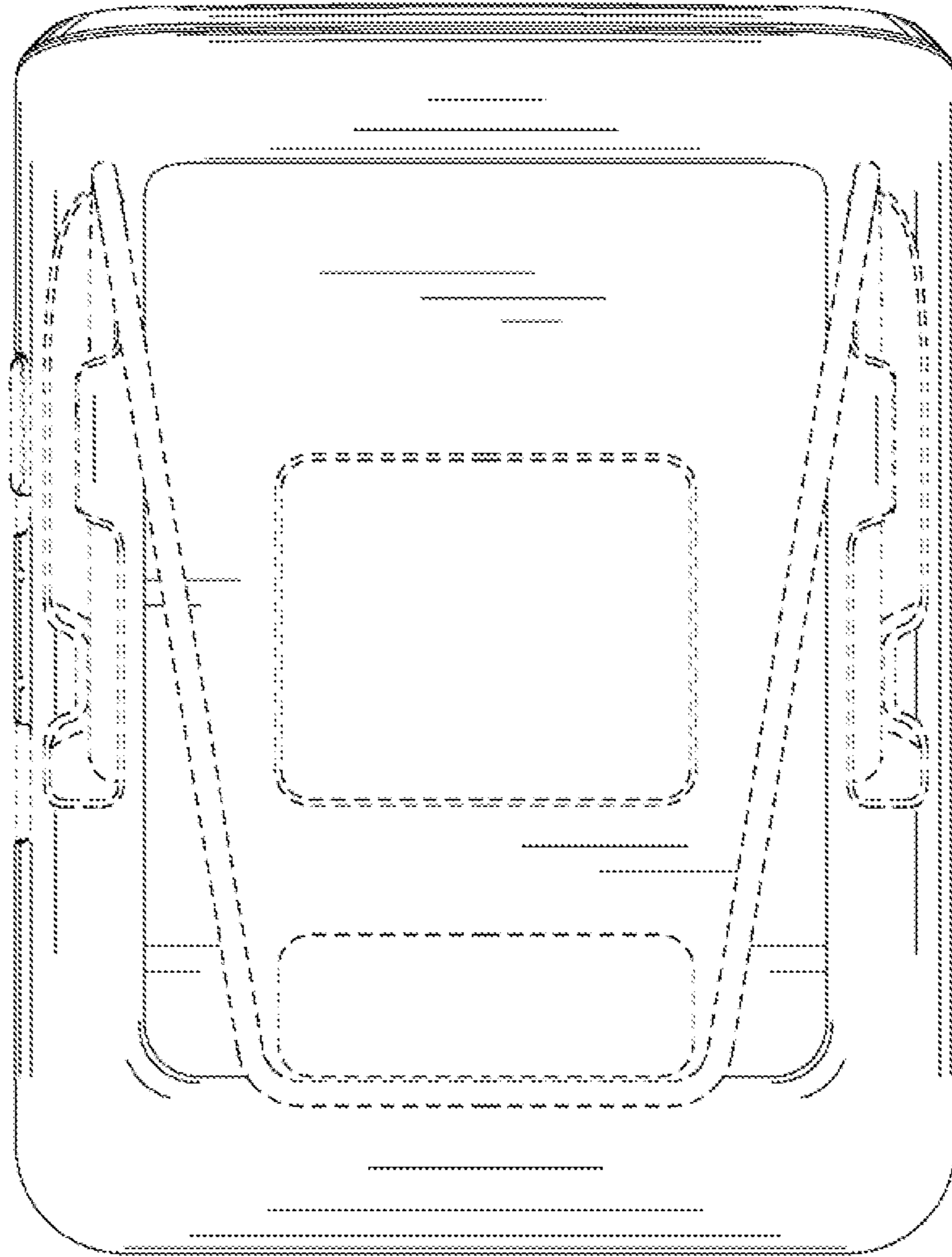


FIG. 4

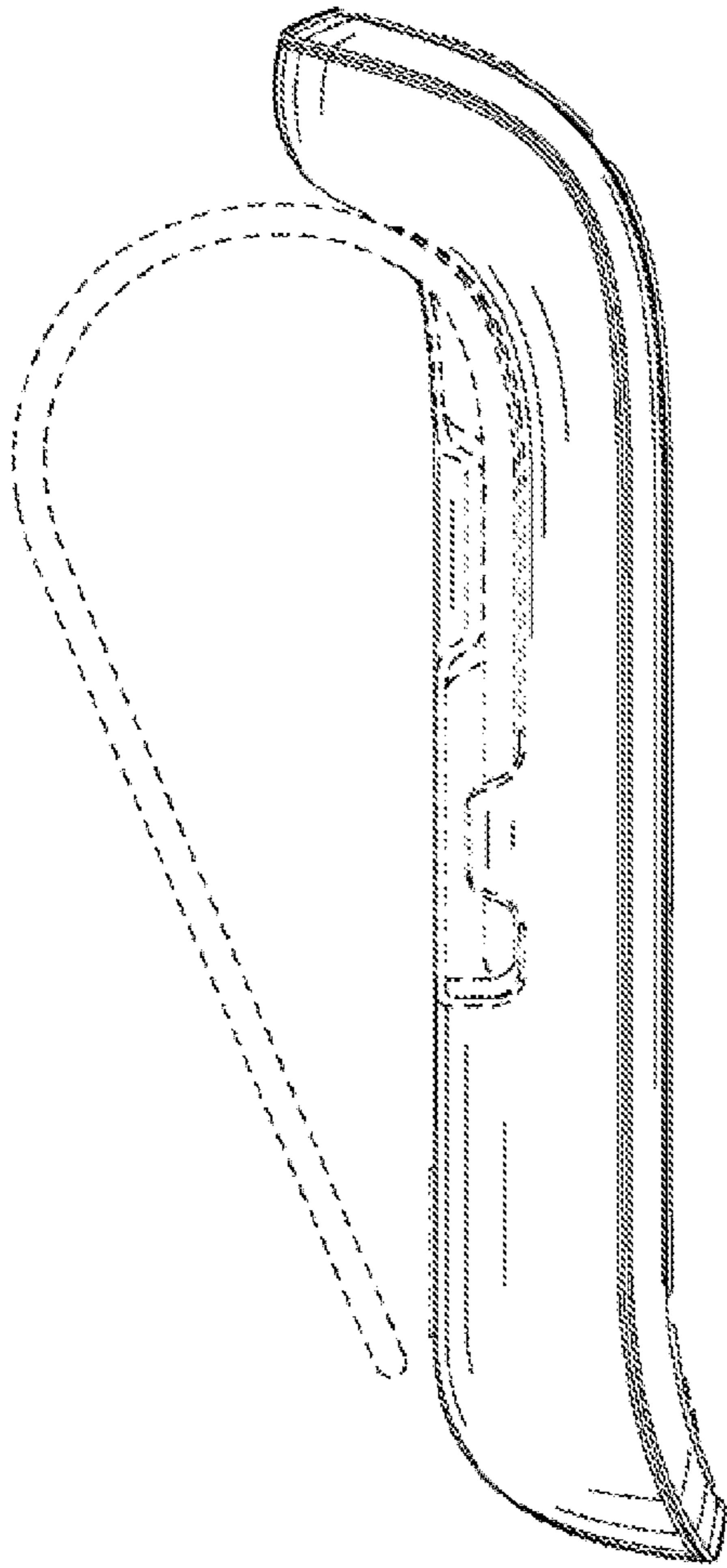


FIG. 5

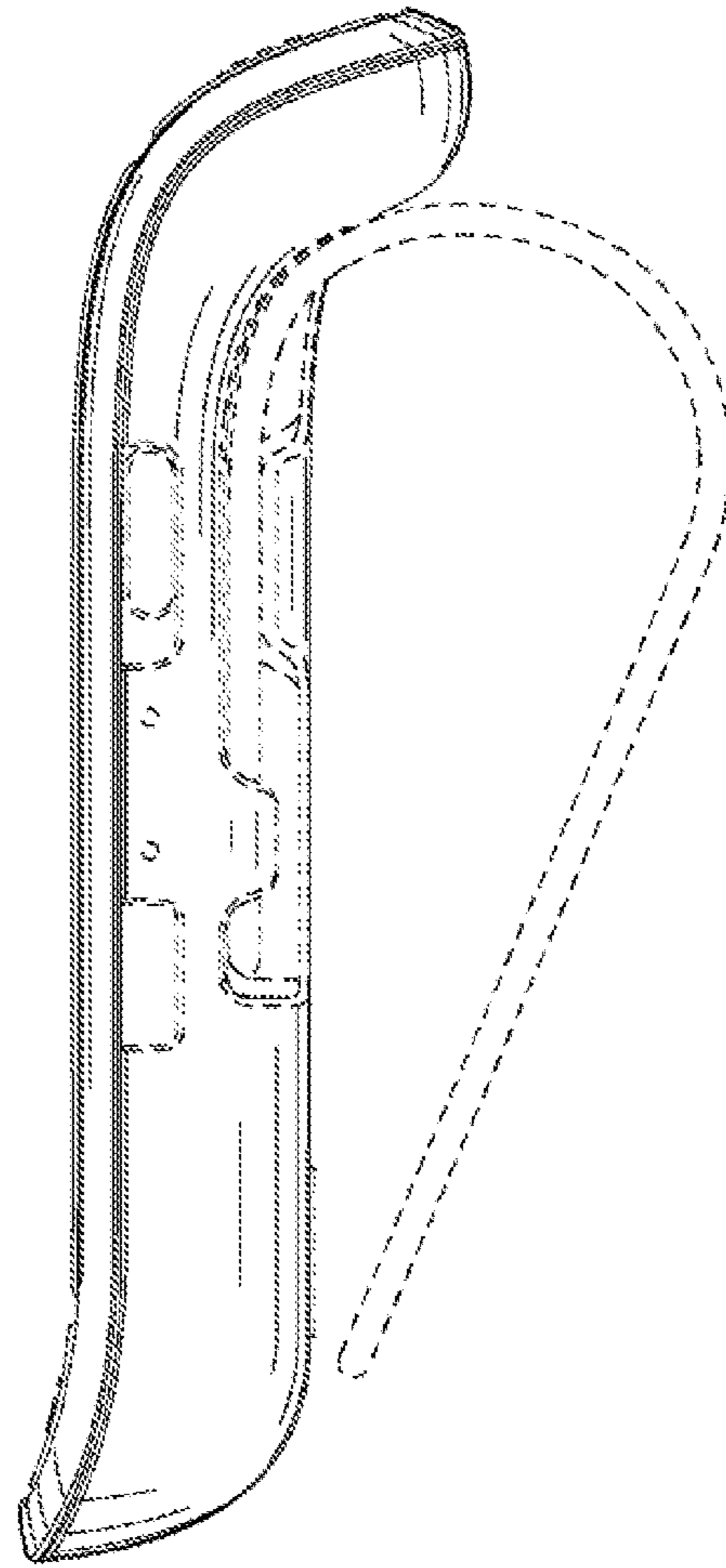


FIG. 6

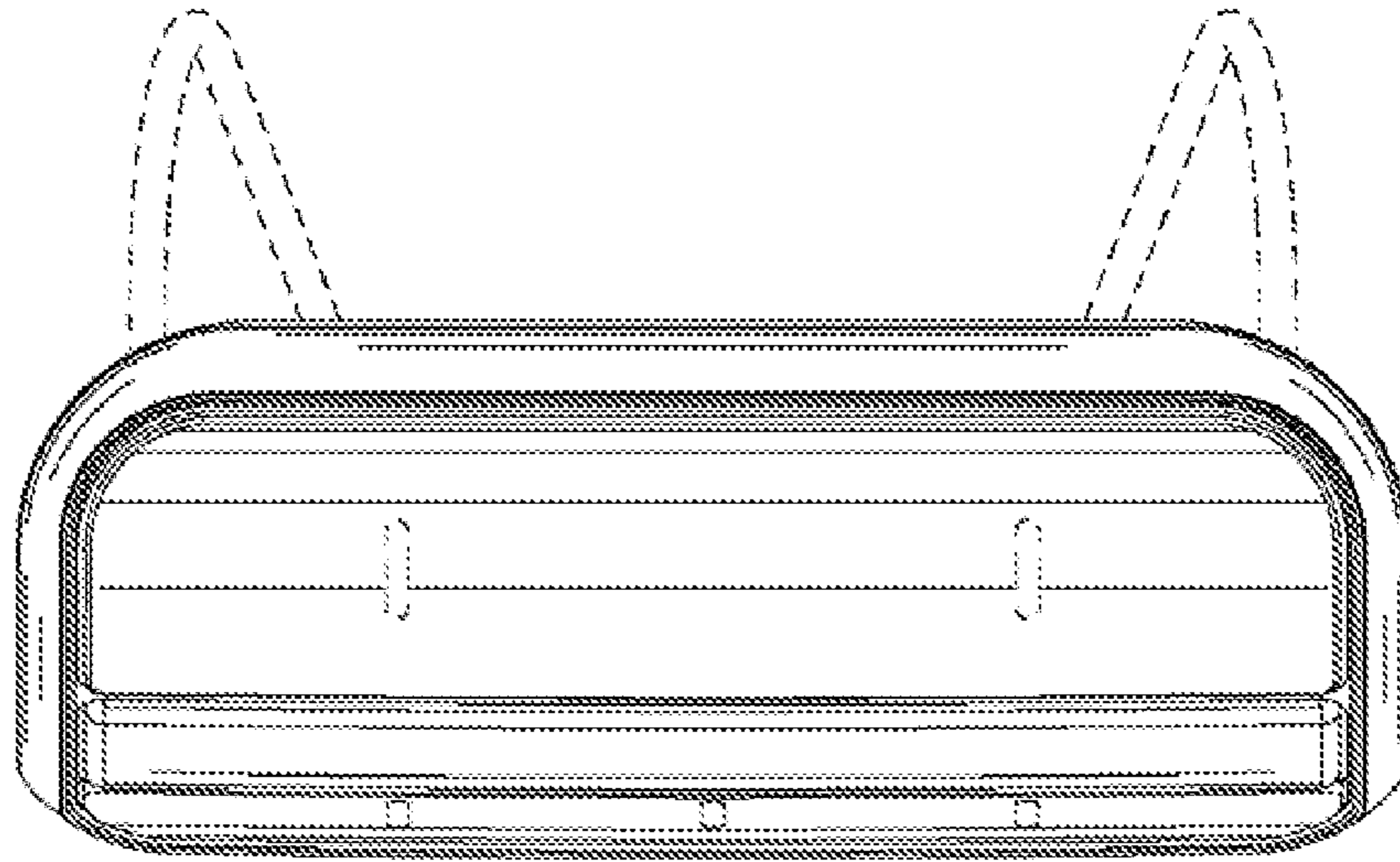


FIG. 7

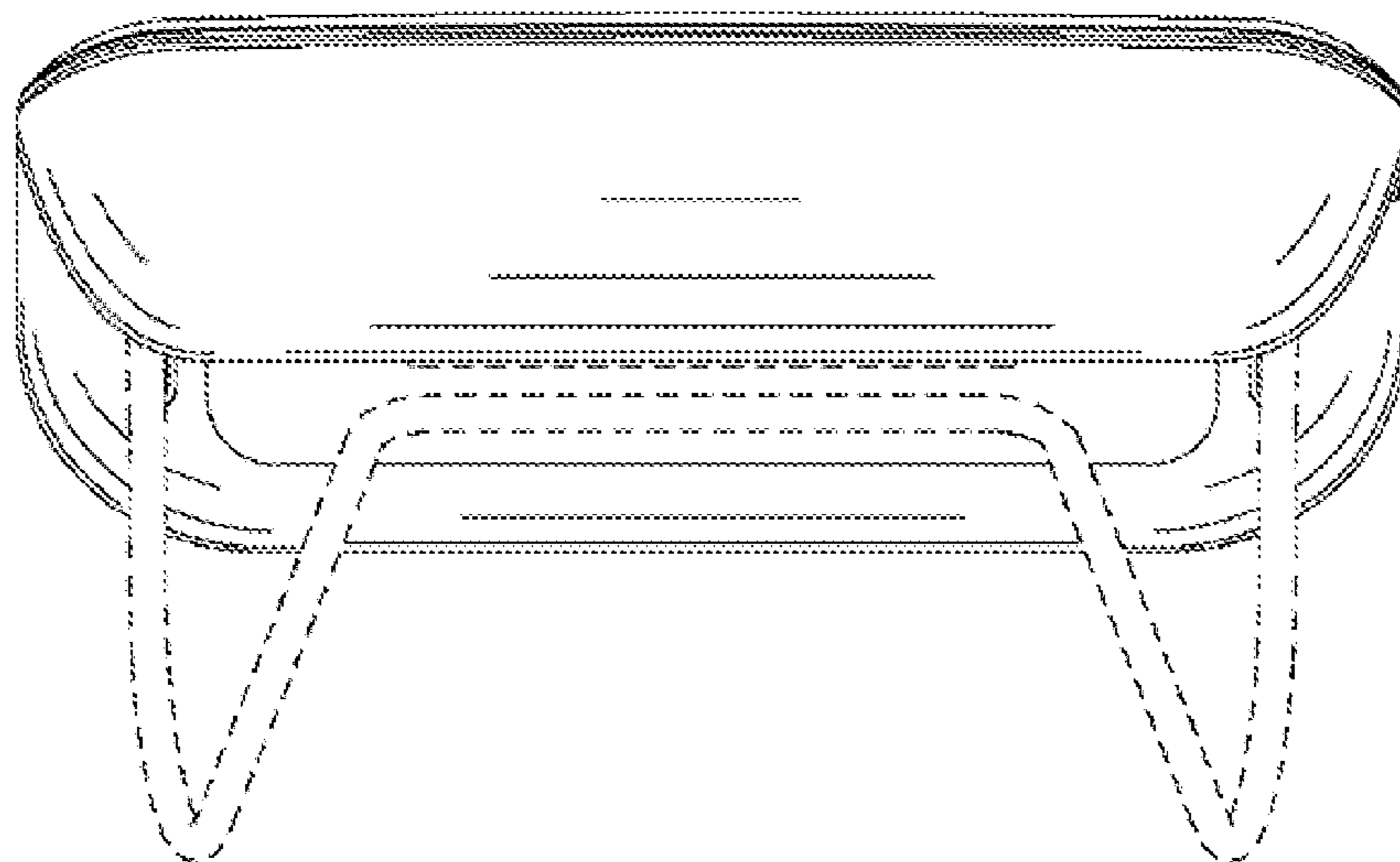


FIG. 8