



US00D662915S

(12) **United States Design Patent**
Halkosaari et al.

(10) **Patent No.:** **US D662,915 S**

(45) **Date of Patent:** **** Jul. 3, 2012**

(54) **EARPHONES**

(75) Inventors: **Teemu Halkosaari**, Espoo (FI); **Jukka Kortesoja**, Espoo (FI); **Ari Pollanen**, Turku (FI)

(73) Assignee: **Savox Communications Oy Ab (Ltd)**, Espoo (FI)

(**) Term: **14 Years**

(21) Appl. No.: **29/393,847**

(22) Filed: **Jun. 9, 2011**

(30) **Foreign Application Priority Data**

Mar. 25, 2011 (EM) 001841289

(51) **LOC (9) Cl.** **14-01**

(52) **U.S. Cl.** **D14/223**

(58) **Field of Classification Search** D14/205,
D14/206, 223; 181/129, 130, 135; 379/430,
379/431; 381/380, 381; 128/866, 867; 455/90.3,
455/575.1

See application file for complete search history.

(56) **References Cited**

U.S. PATENT DOCUMENTS

D179,150	S	*	11/1956	Norris	D14/192
5,412,736	A	*	5/1995	Keliiliki	381/381
D375,959	S	*	11/1996	Davis et al.	D14/223
D460,436	S	*	7/2002	Bjorklund et al.	D14/205
6,427,018	B1	*	7/2002	Keliiliki	381/381
D504,672	S	*	5/2005	Hirano	D14/205
D510,575	S	*	10/2005	Leong	D14/223
D512,984	S	*	12/2005	Ham	D14/205
D515,069	S	*	2/2006	Naito	D14/205
7,089,042	B2	*	8/2006	Bodley	455/569.1
D539,268	S	*	3/2007	Suzuki	D14/206

D556,735	S	*	12/2007	Yeo et al.	D14/206
D557,255	S	*	12/2007	Shintani et al.	D14/206
D583,804	S	*	12/2008	Mahler et al.	D14/223
D585,429	S	*	1/2009	Dean	D14/223
D597,084	S	*	7/2009	Gondo	D14/223
D607,880	S	*	1/2010	Chung et al.	D14/223
7,708,110	B2	*	5/2010	Leong et al.	181/135
D617,780	S	*	6/2010	Jaakkola et al.	D14/223
D618,211	S	*	6/2010	Oguro et al.	D14/205
D624,529	S	*	9/2010	Huang	D14/223
D625,297	S	*	10/2010	Tseng et al.	D14/223
7,841,446	B2	*	11/2010	Leong et al.	181/135
D633,899	S	*	3/2011	Zheng et al.	D14/223
D635,960	S	*	4/2011	Gondo et al.	D14/223
D636,763	S	*	4/2011	Walter	D14/223
7,983,437	B2	*	7/2011	Wong et al.	381/370
D644,213	S	*	8/2011	Quek	D14/223
D645,454	S	*	9/2011	Quek	D14/223
D645,458	S	*	9/2011	Silvestri et al.	D14/223
D651,195	S	*	12/2011	Quek	D14/223
D651,196	S	*	12/2011	Quek	D14/223
D653,244	S	*	1/2012	Birger	D14/223
8,111,861	B2	*	2/2012	Lowry	381/380

* cited by examiner

Primary Examiner — Paula Greene

(74) *Attorney, Agent, or Firm* — Young & Thompson

(57) **CLAIM**

The ornamental design for earphones, as shown.

DESCRIPTION

FIG. 1 is a top perspective view of earphones showing the new design;

FIG. 2 is a top plan view thereof;

FIG. 3 is a front elevation view thereof;

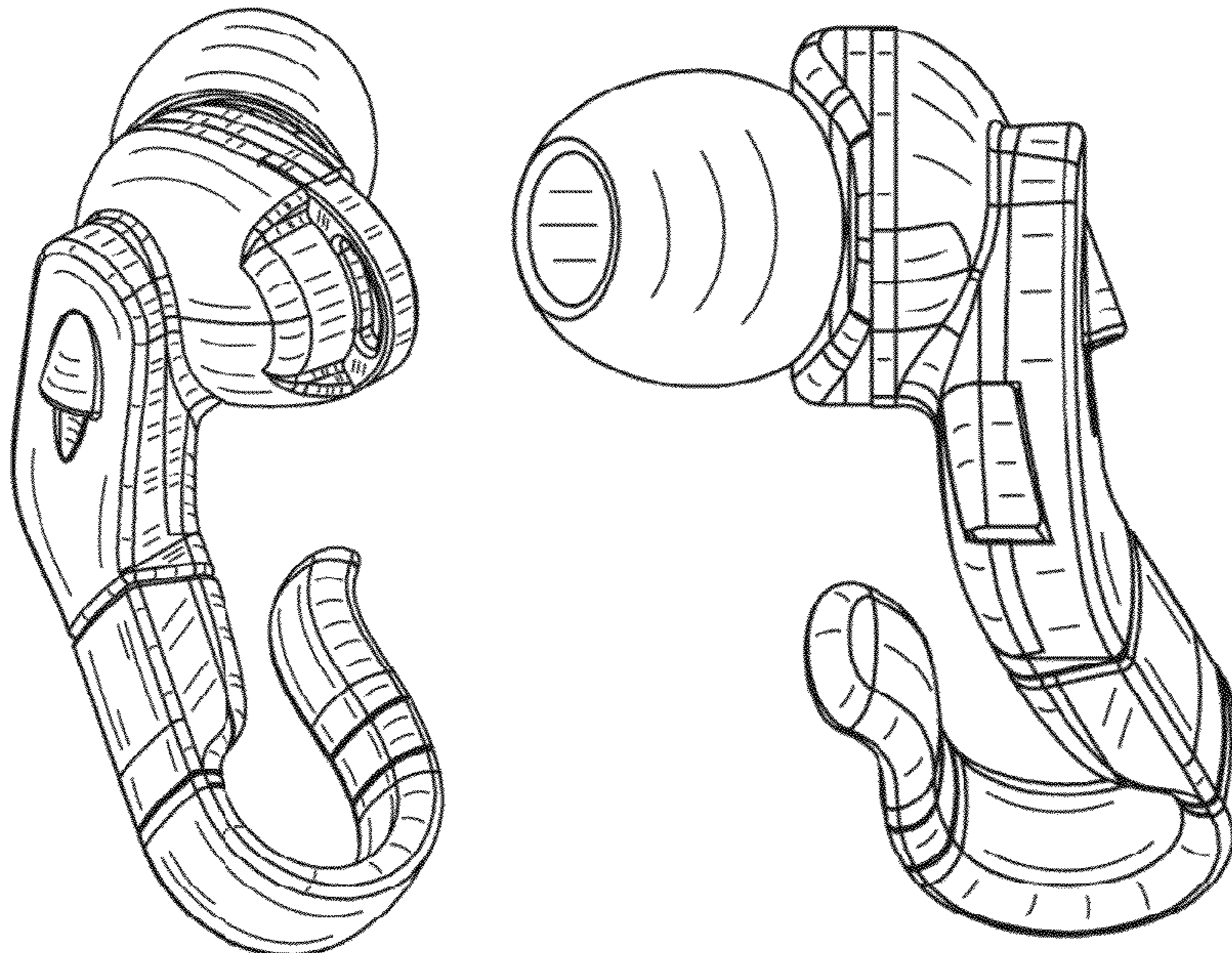
FIG. 4 is a left side elevation view thereof;

FIG. 5 is a right side elevational view thereof;

FIG. 6 is a rear perspective view thereof; and,

FIG. 7 is a bottom plan view thereof.

1 Claim, 7 Drawing Sheets



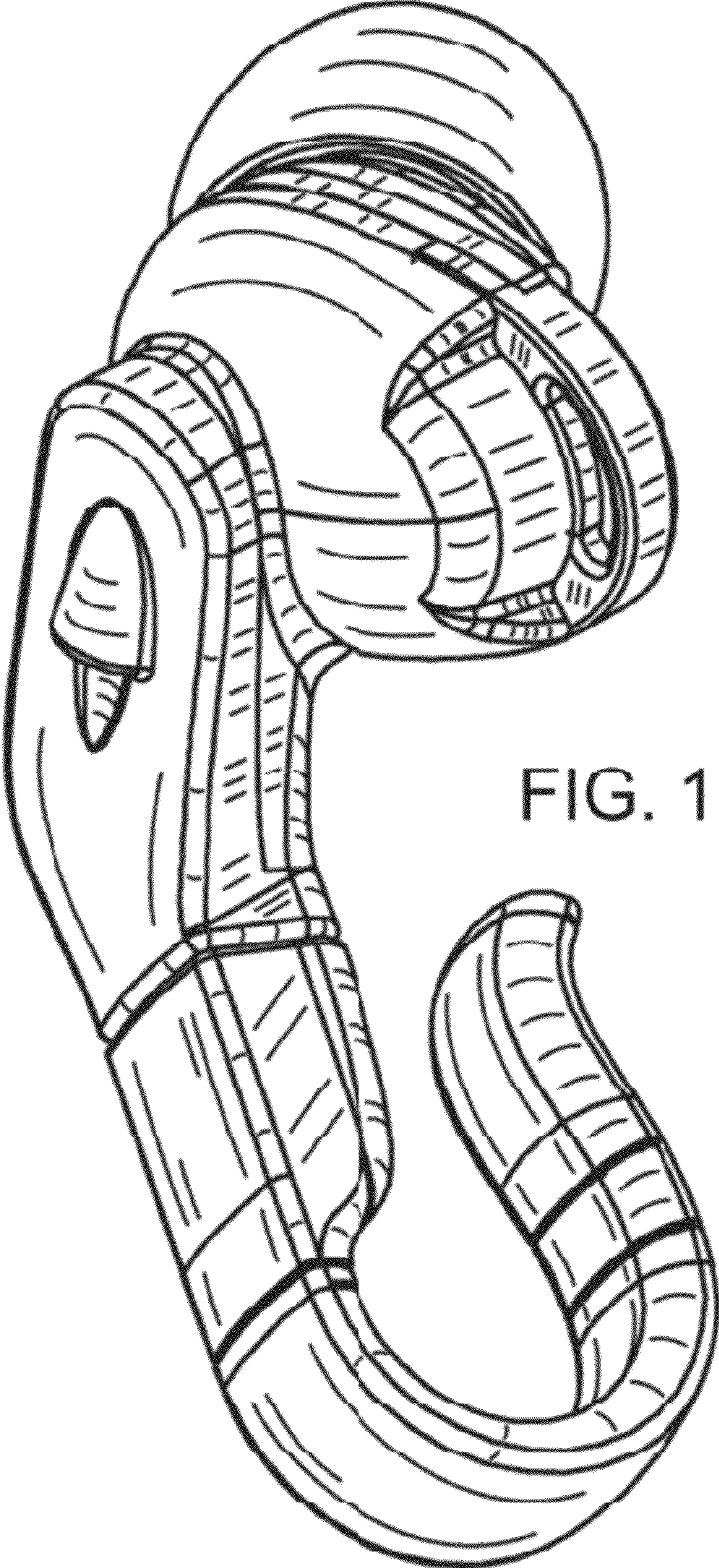


FIG. 1

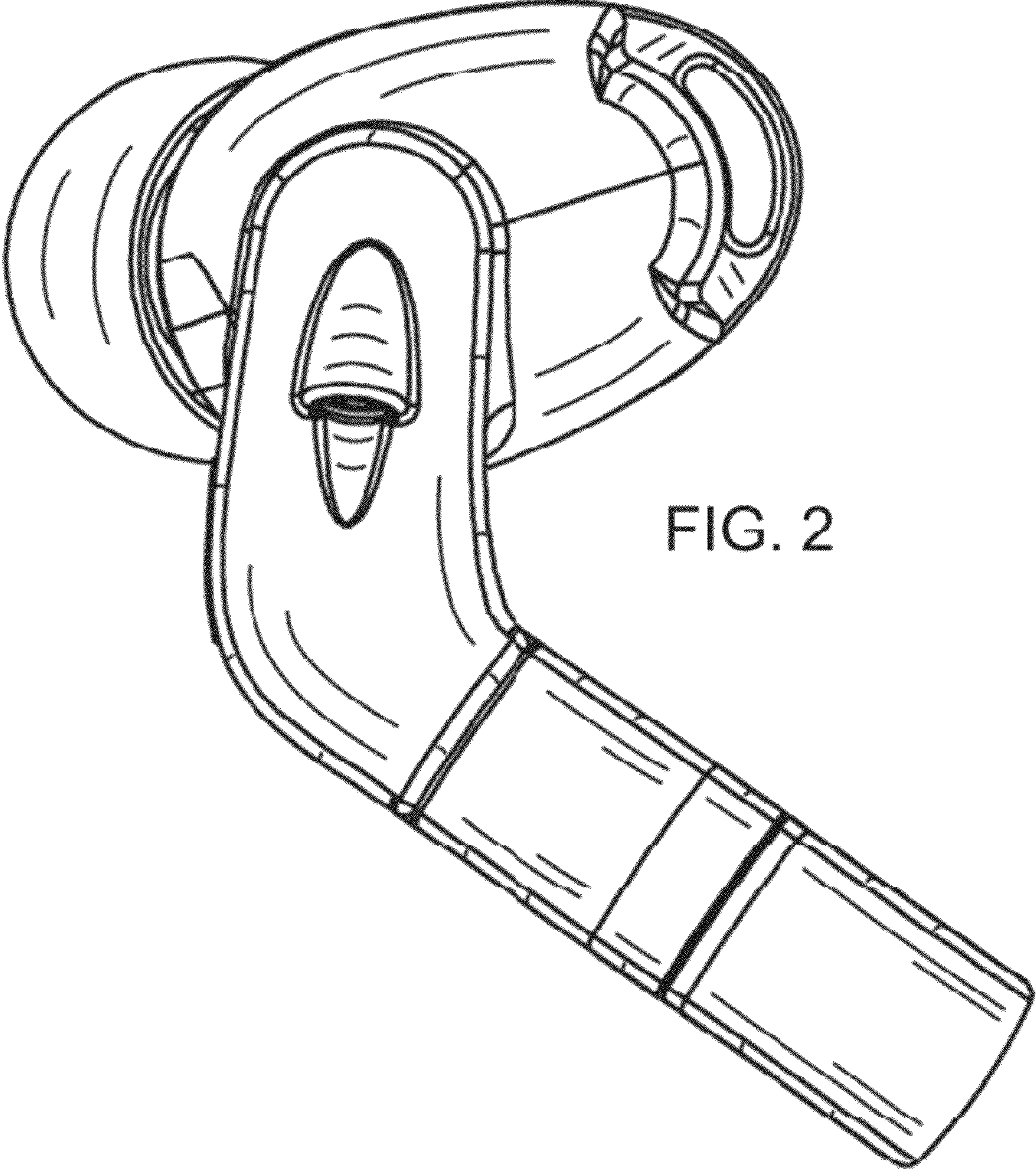
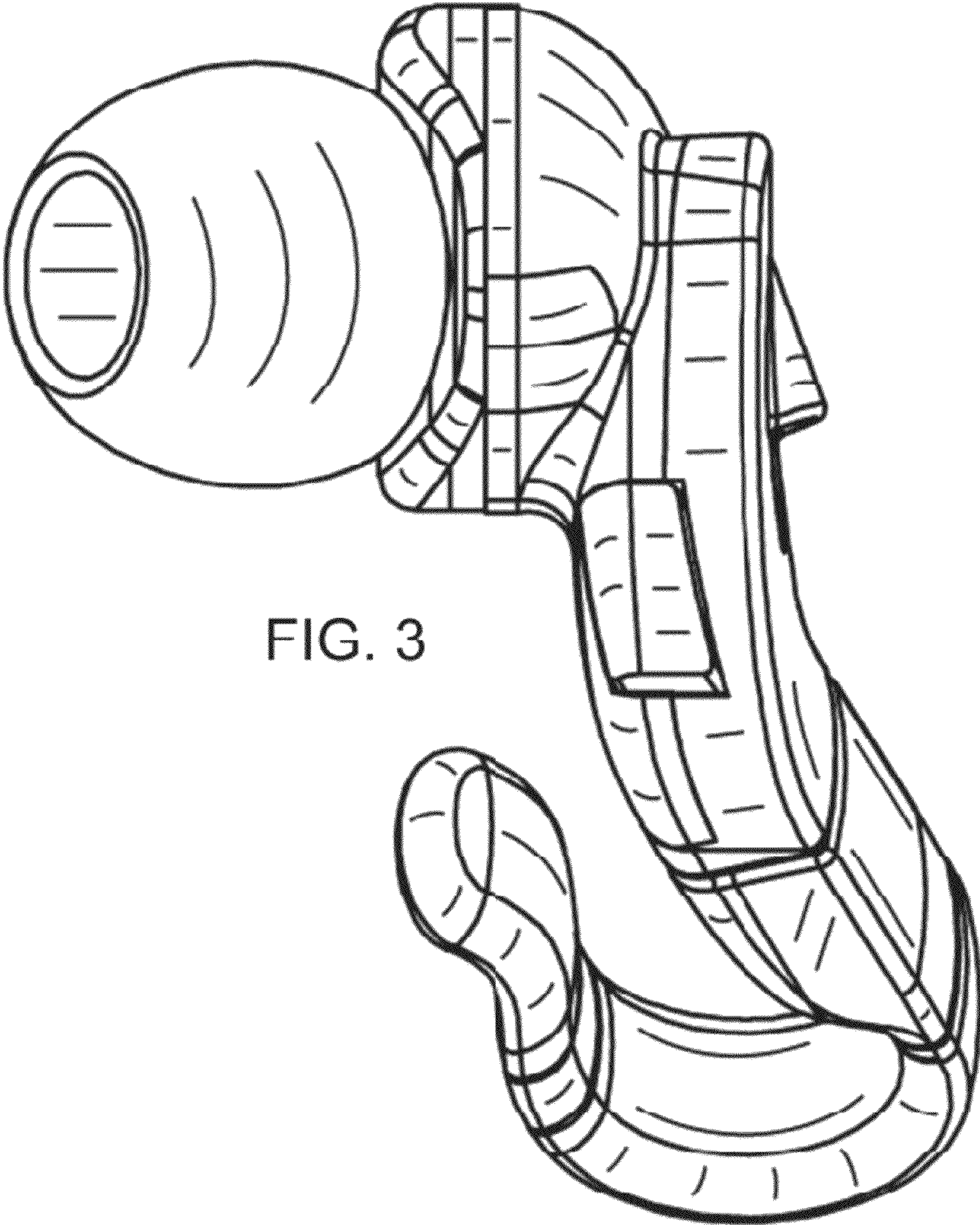
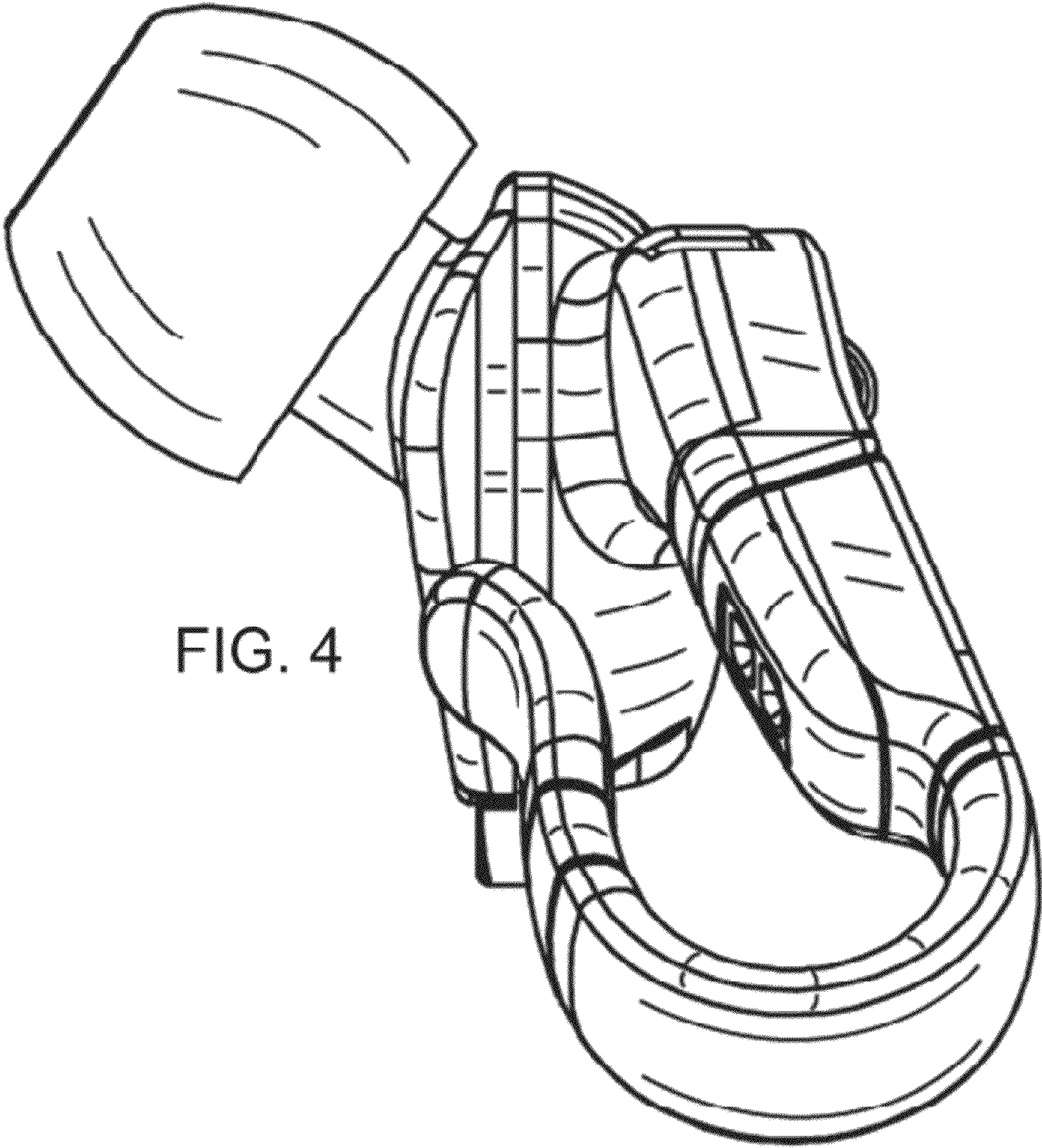


FIG. 2





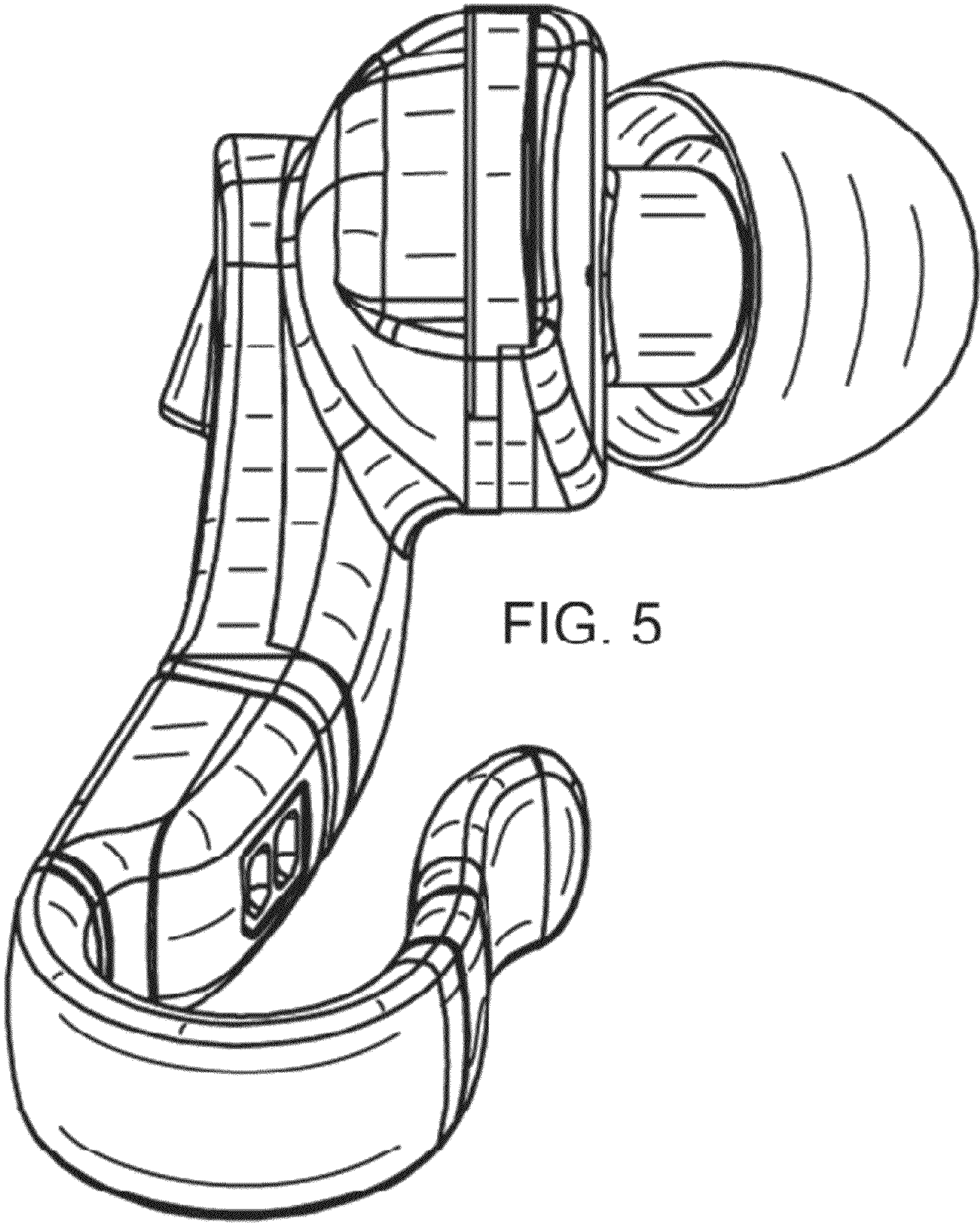


FIG. 5

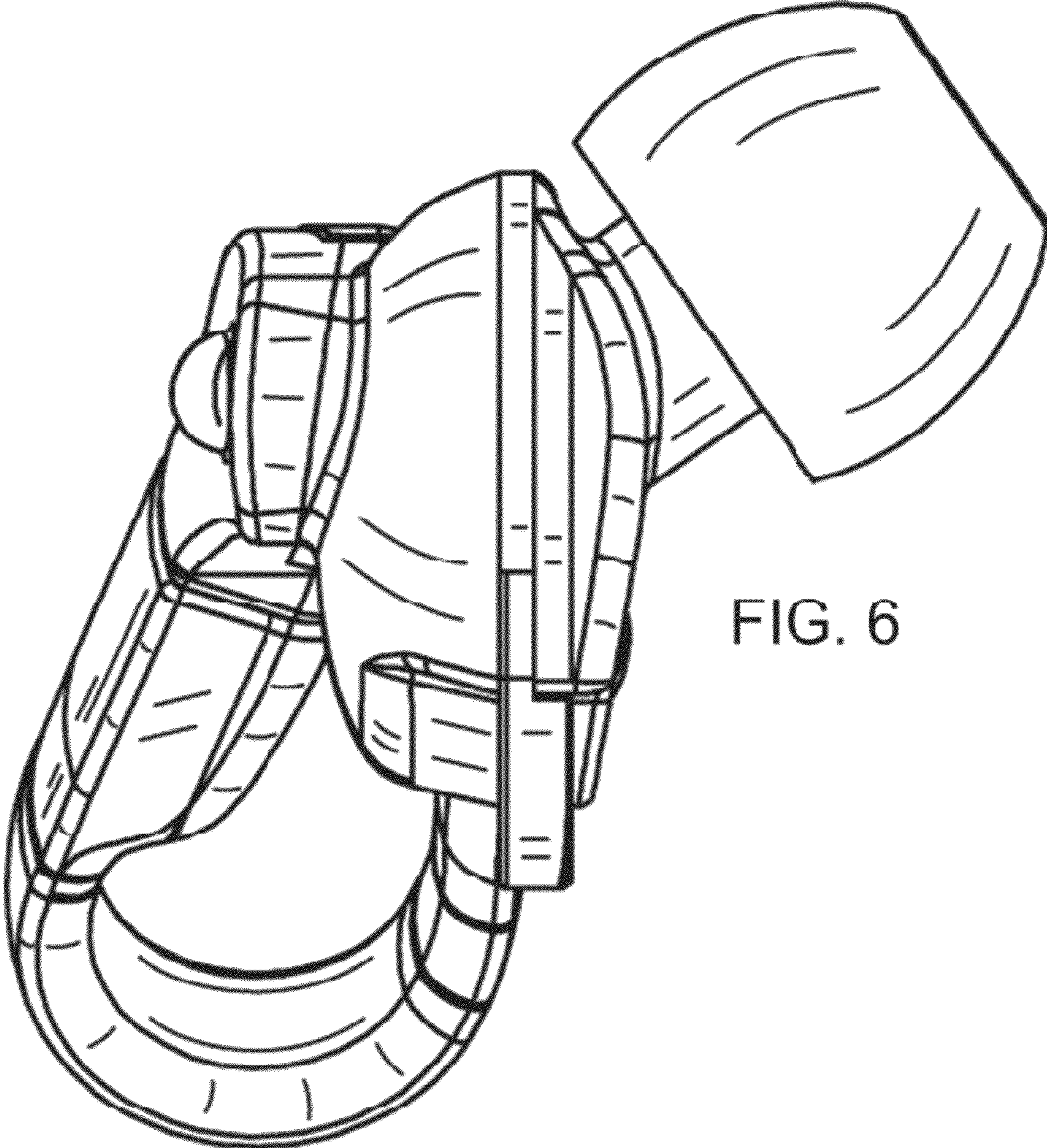


FIG. 6

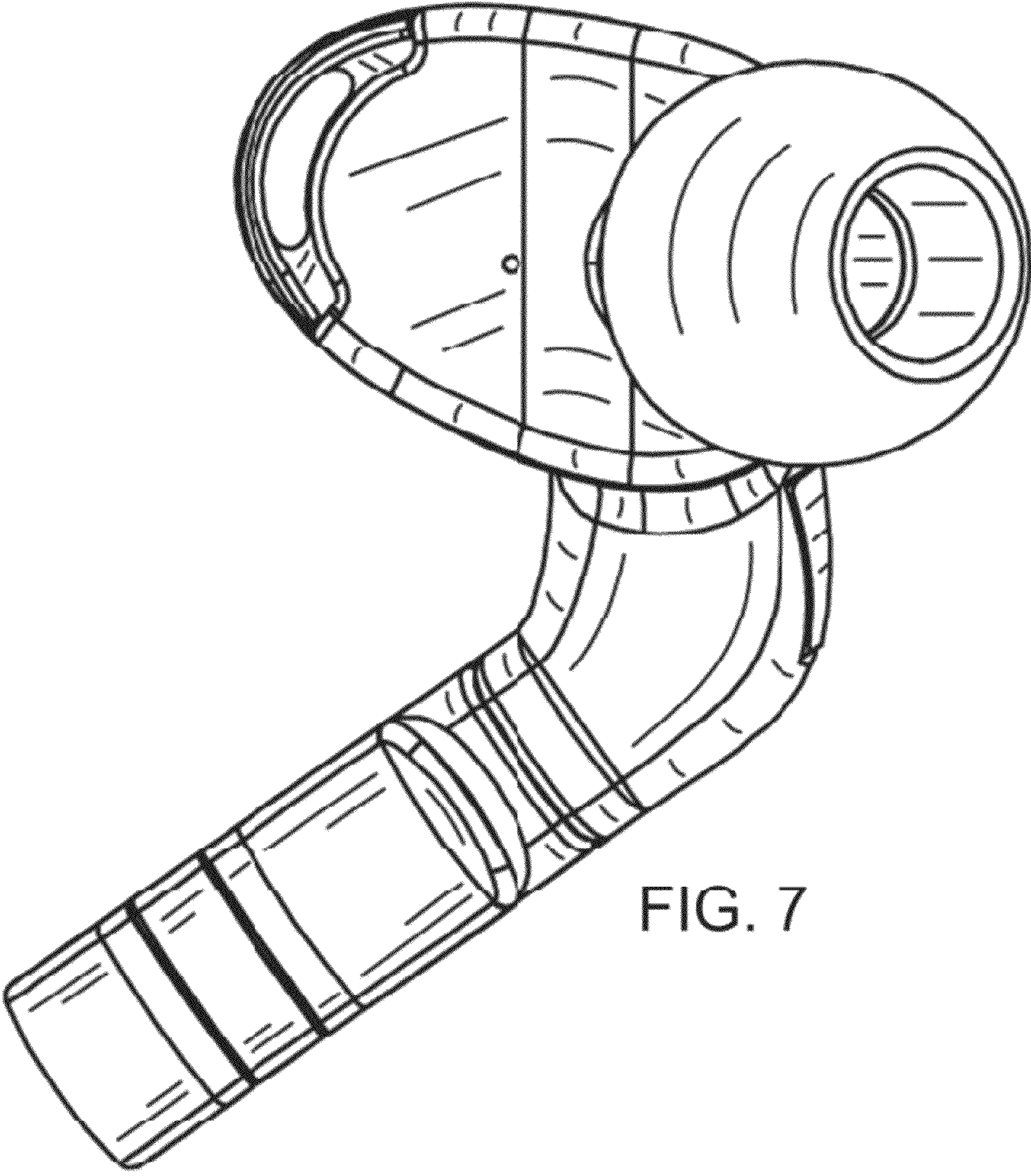


FIG. 7