



US00D662912S

(12) **United States Design Patent**
Iijima et al.

(10) **Patent No.:** **US D662,912 S**
(45) **Date of Patent:** **** Jul. 3, 2012**

(54) **HEADSET**

(75) Inventors: **Yoshimune Iijima**, Tokyo (JP); **Daisuke Iseki**, Tokyo (JP)

(73) Assignee: **Sony Corporation**, Tokyo (JP)

(**) Term: **14 Years**

(21) Appl. No.: **29/371,658**

(22) Filed: **Jun. 27, 2011**

Related U.S. Application Data

(63) Continuation-in-part of application No. 29/347,987, filed on Sep. 3, 2010, now Pat. No. Des. 644,625.

(30) **Foreign Application Priority Data**

Mar. 2, 2010 (JP) D2010-005420

(51) **LOC (9) Cl.** **14-01**

(52) **U.S. Cl.** **D14/205**

(58) **Field of Classification Search** D14/205,
D14/206; 379/430, 431; 381/380, 381, 376,
381/378, 382; 2/209, 171, 139, 157, 311,
2/182.6; 132/273, 275; 607/108, 109, 112;
128/864, 866; D28/40; 24/16 PB; D29/112;
455/90.3

See application file for complete search history.

(56) **References Cited**

U.S. PATENT DOCUMENTS

958,263 A * 5/1910 Loewe 2/172
2,447,078 A * 8/1948 Maxant 2/209
2,954,442 A * 9/1960 Mickenberg 2/410
3,119,119 A * 1/1964 Millinger et al. 2/209
3,211,160 A * 10/1965 Miller 132/275
D278,625 S 4/1985 Mathiasen
D300,133 S 3/1989 Daidoh et al.
D327,268 S * 6/1992 Anstin D14/192
D366,045 S 1/1996 Hirschhorn
D369,604 S 5/1996 Morimiya
5,581,622 A * 12/1996 Sakurai 381/370
5,697,386 A * 12/1997 Chang 132/273
5,862,241 A * 1/1999 Nelson 381/379

D409,197 S 5/1999 Nakamura
5,979,466 A * 11/1999 Chung 132/275
6,016,574 A * 1/2000 Chen 2/209

(Continued)

FOREIGN PATENT DOCUMENTS

EM 000470059-0001 S 2/2006

(Continued)

OTHER PUBLICATIONS

Web page, "Logicool A340" http://www.biccamera.com/bicbic/jsp/w/catalog/detail.jsp?JAN_CODE=4943765032236, 1 page, Big Camera, (Aug. 11, 2010).

(Continued)

Primary Examiner — Paula Greene

(74) *Attorney, Agent, or Firm* — Rader, Fishman & Grauer PLLC

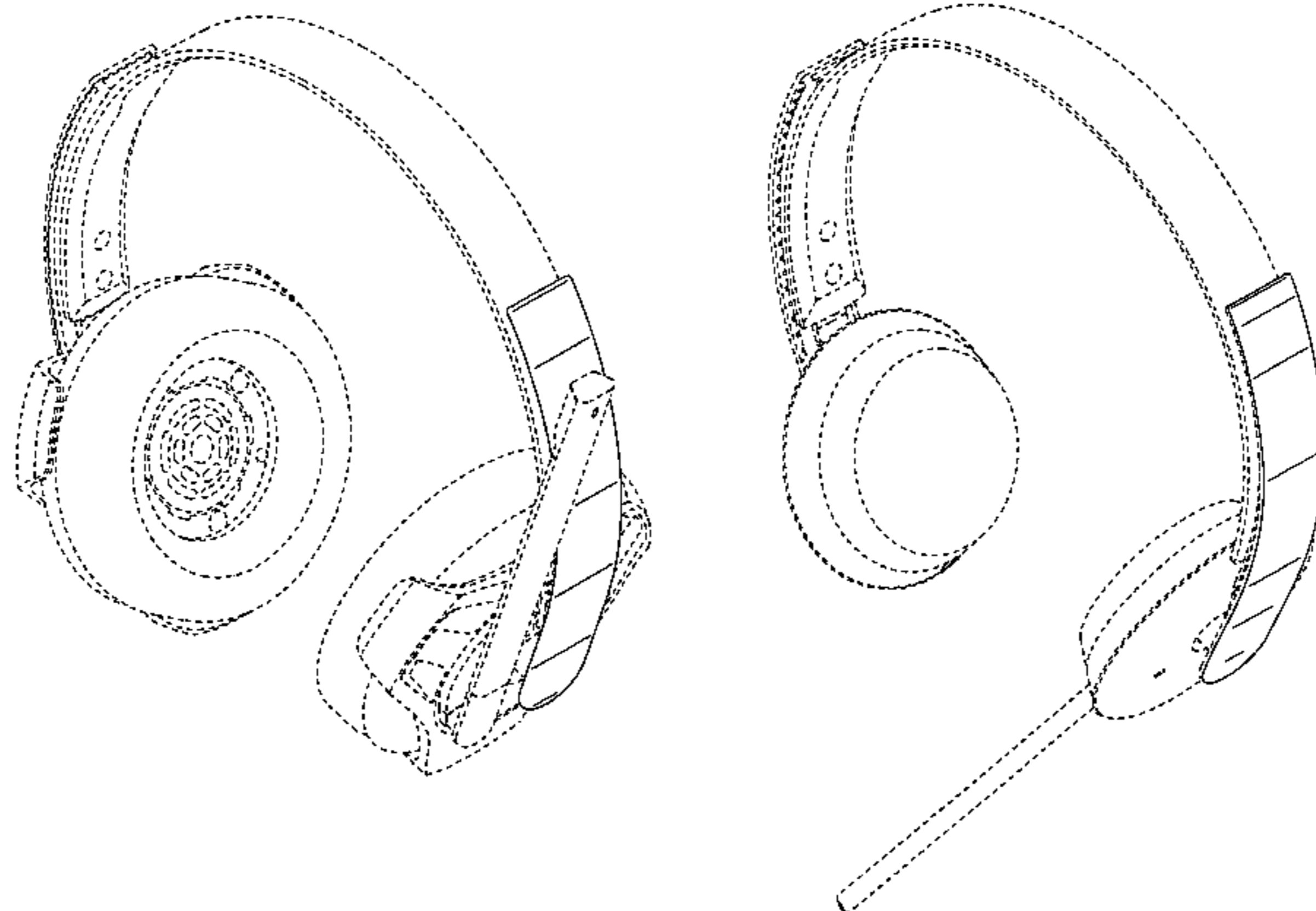
(57) **CLAIM**

The ornamental design for a headset, as shown and described.

DESCRIPTION

FIG. 1 is a perspective view of a first embodiment of a headset showing our new design;
FIG. 2 is a front elevational view thereof;
FIG. 3 is a rear elevational view thereof;
FIG. 4 is a right side elevational view thereof;
FIG. 5 is a top plan view thereof; and
FIG. 6 is a bottom plan view thereof.
FIG. 7 is a perspective view of a second embodiment of a headset showing our new design;
FIG. 8 is a front elevational view thereof;
FIG. 9 is a rear elevational view thereof;
FIG. 10 is a right side elevational view thereof;
FIG. 11 is a top plan view thereof; and,
FIG. 12 is a bottom plan view thereof.

1 Claim, 10 Drawing Sheets



US D662,912 S

Page 2

U.S. PATENT DOCUMENTS

D420,007 S 2/2000 Marshall et al.
6,093,202 A * 7/2000 Dyken et al. 607/109
6,097,827 A 8/2000 Yang
D439,890 S 4/2001 Skulley et al.
6,295,995 B1 * 10/2001 Ewaka 132/275
6,392,196 B1 * 5/2002 Lin 219/211
D459,337 S 6/2002 Mori
6,421,837 B1 * 7/2002 Pearcy 2/171
6,470,896 B1 * 10/2002 Mensonides 132/200
D473,539 S * 4/2003 O'Leary D14/205
6,560,346 B2 5/2003 Ohta et al.
D497,156 S 10/2004 Bauman et al.
D497,357 S 10/2004 Allum et al.
D504,419 S 4/2005 Bey et al.
D505,413 S 5/2005 Skulley et al.
D508,483 S 8/2005 Suzuki
D514,086 S 1/2006 Skulley
D518,479 S 4/2006 Skulley
D540,303 S 4/2007 Rausch et al.
D540,778 S 4/2007 Skulley
D541,256 S 4/2007 Rausch et al.
D541,258 S 4/2007 Thompson et al.
D549,688 S 8/2007 Suzuki
D578,508 S 10/2008 Wang
D588,100 S 3/2009 Densho et al.
D594,847 S 6/2009 Suzuki
D597,070 S 7/2009 Zheng
7,614,091 B2 * 11/2009 LeGette et al. 2/209
D609,694 S 2/2010 Komiyama
D616,418 S * 5/2010 Morisawa D14/205
D633,471 S * 3/2011 Sugiyama D14/205
D635,957 S 4/2011 Hirano et al.
D636,377 S 4/2011 Morisawa
7,962,970 B2 * 6/2011 Le Gette et al. 2/209

FOREIGN PATENT DOCUMENTS

JP D1123110 S 10/2001
JP D1363194 S 6/2009

OTHER PUBLICATIONS

Web page, Logicool A400, http://www.biccamera.com/bicbic/jsp/w/catalog/detail.jsp?JAN_CODE=4943765032649, 1 page, Big Camera, (Aug. 11, 2010).
Web page, "Logicool U-470" <http://www.yodobashi.com/ec/product/1000000010000923771/index.html>, 1 page, Yodobashi, (Aug. 11, 2010).
Web page, "Logicool G35" http://store.logicool.co.jp/lcs/catabloq/product_info.php?products_id=2000342, 1 page, Logicool Store, (Aug. 11, 2010).
Web page, "Logicool H330" http://store.logicool.co.jp/lcs/catalog/product_info.php?cPath=12&products_id=2000345, 1 page, Logicool Store, (Aug. 11, 2010).
Web page, "Sennheiser PC 131" <http://www.senncom.jp/solution/pc/standard/pc131.html>, 2 pages, Sennheiser Communications, (Aug. 11, 2010).
Web page, "Sennheiser PC 151" <http://www.senncom.jp/solution/pc/standard/pc151.html>, 1 page, Sennheiser Communications, (Aug. 11, 2010).
Web page, "Sennheiser PC 121" <http://www.senncom.jp/solution/pc/standard/pc121.html>, 1 page, Sennheiser Communications, (Aug. 11, 2010).
Web page, "Microsft JTD-00006" http://www.biccamera.com/bicbic/jsp/w/catalog/detail.jsp?JAN_CODE=498864867544°was_inflow=0010229807, 1 page, Big Camera, (Aug. 11, 2010).
Web page, "Razer RZ-04-00270100-R3M1" http://www.biccamera.com/bicbic/jsp/w/catalog/detail.jsp?JAN_CODE=4582168242967, 1 page, Big Camera, (Aug. 11, 2010).
Web page, Razer RZ0400250100R3M1 http://www.biccamera.com/bicbic/jsp/w/catalog/detail.jsp?JAN_CODE=4582168243056, 1 page, Big Camera, (Aug. 11, 2010).

* cited by examiner

FIG. 1

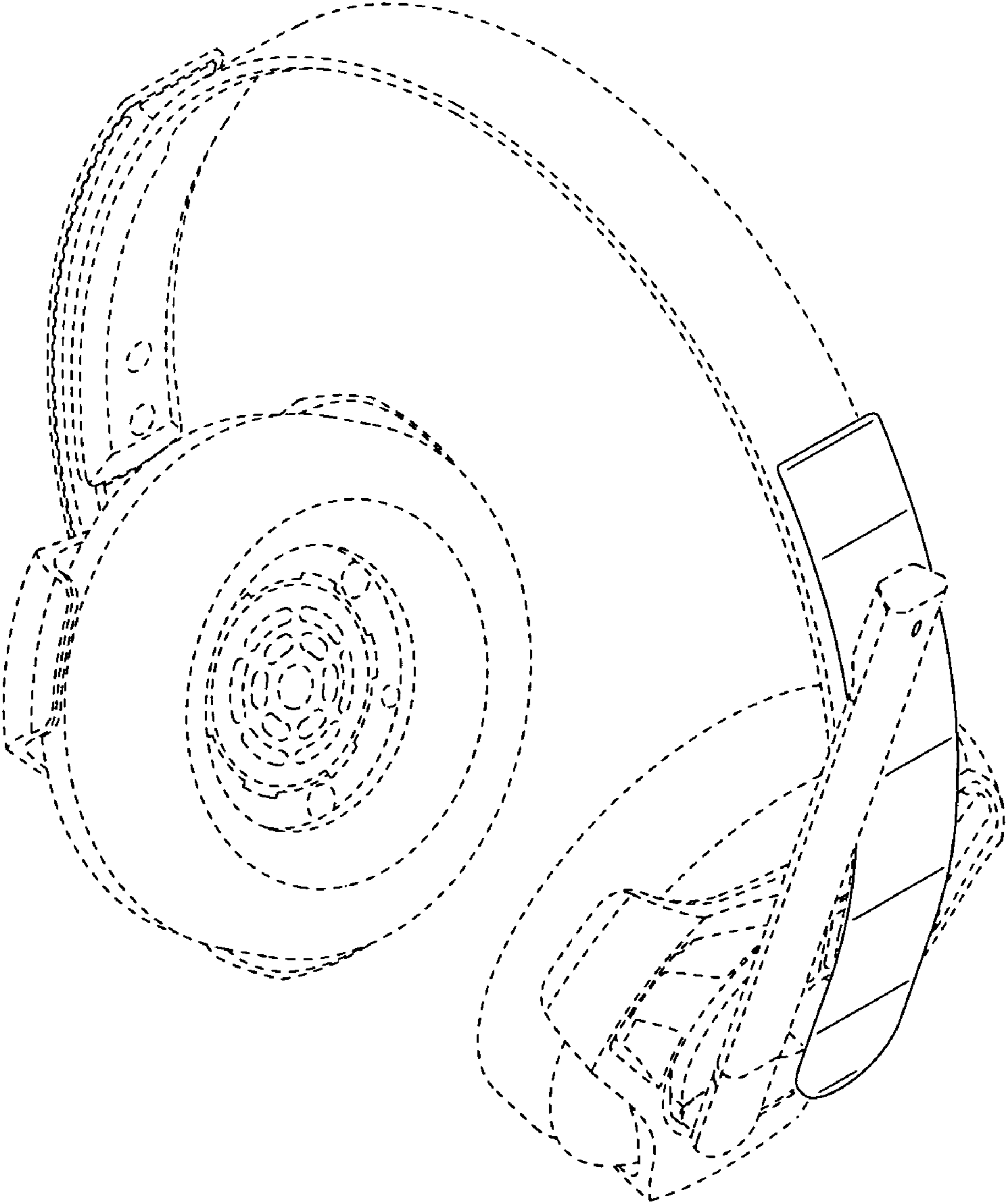


FIG.2

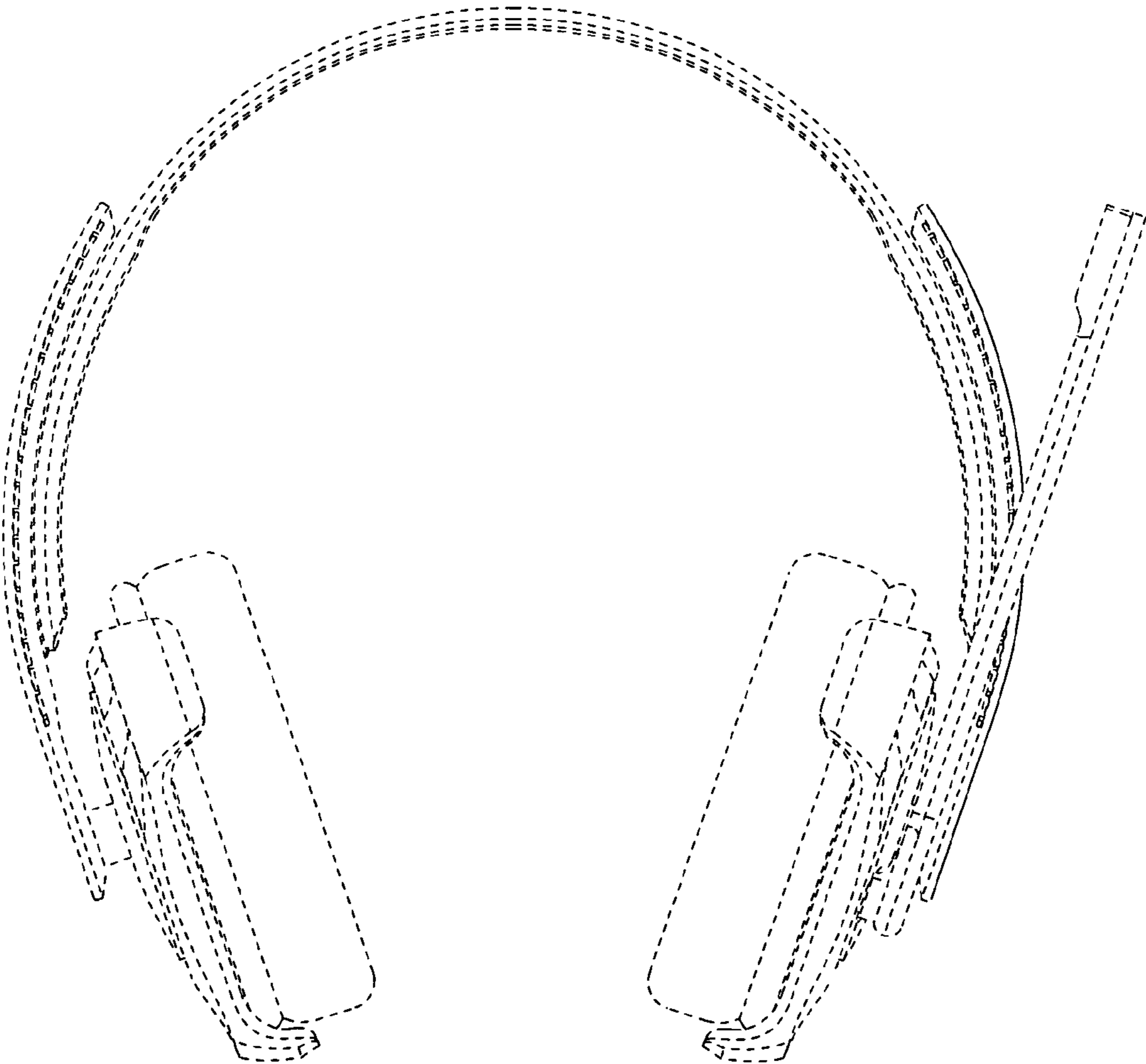


FIG.3

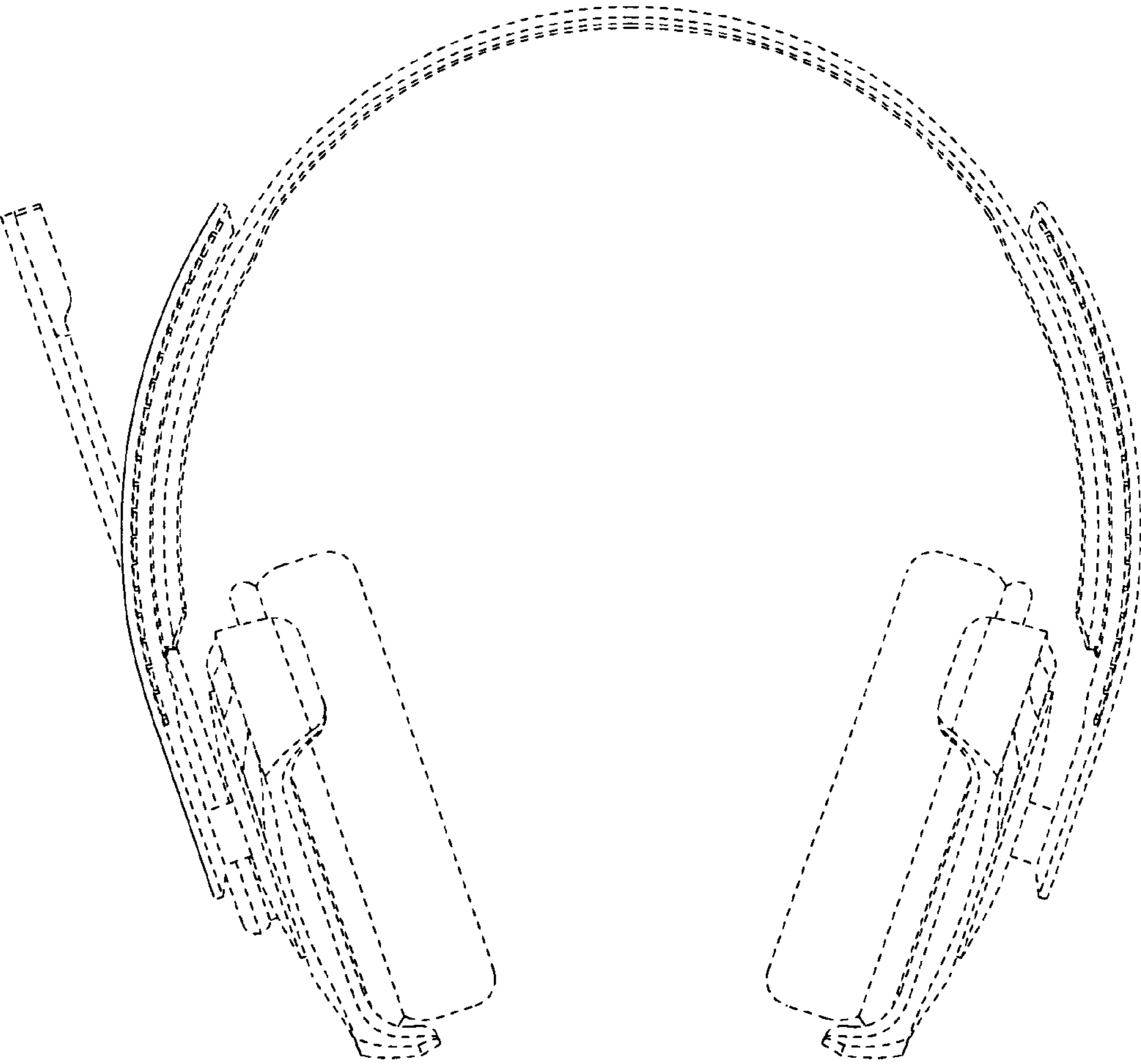


FIG.4

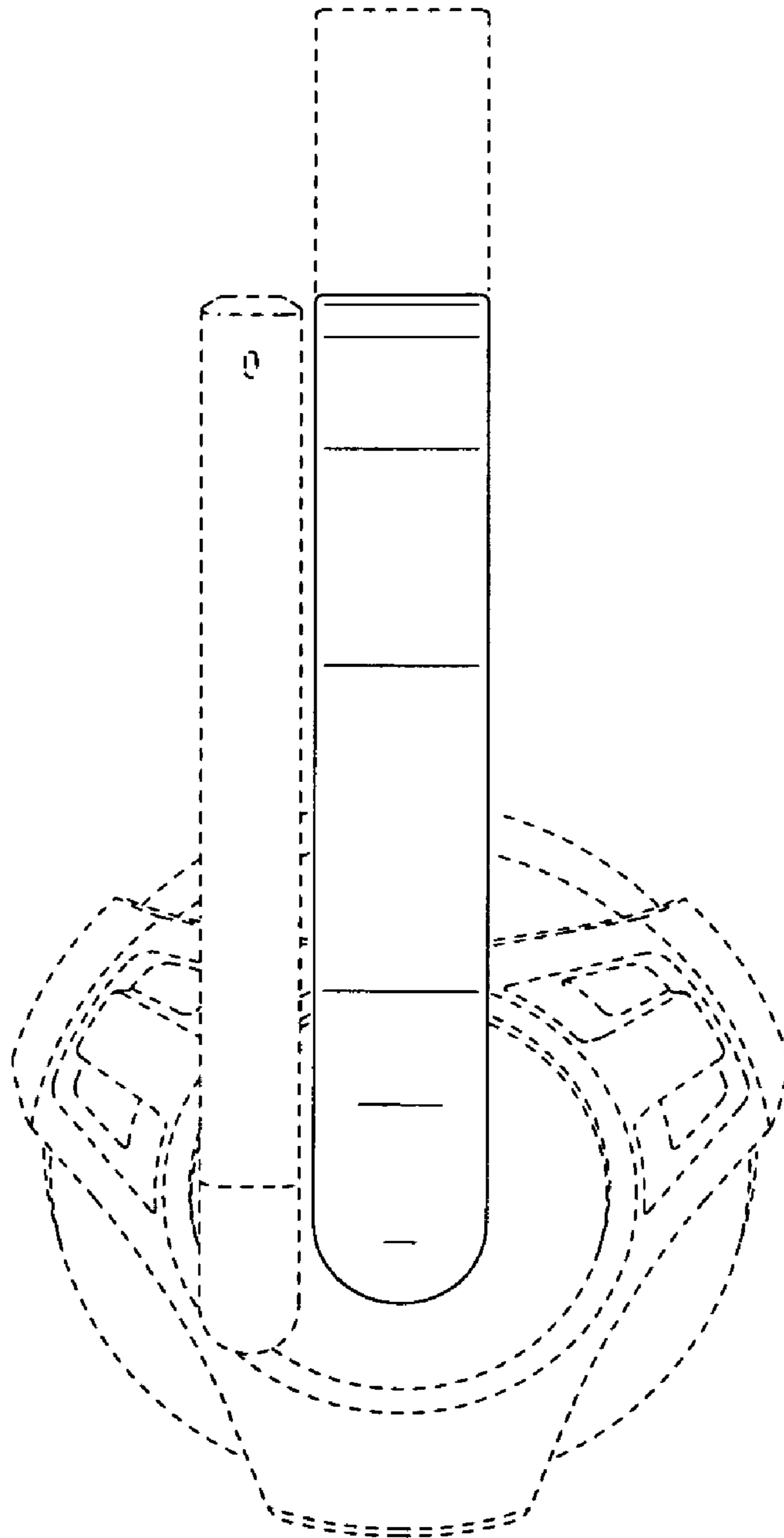


FIG.5

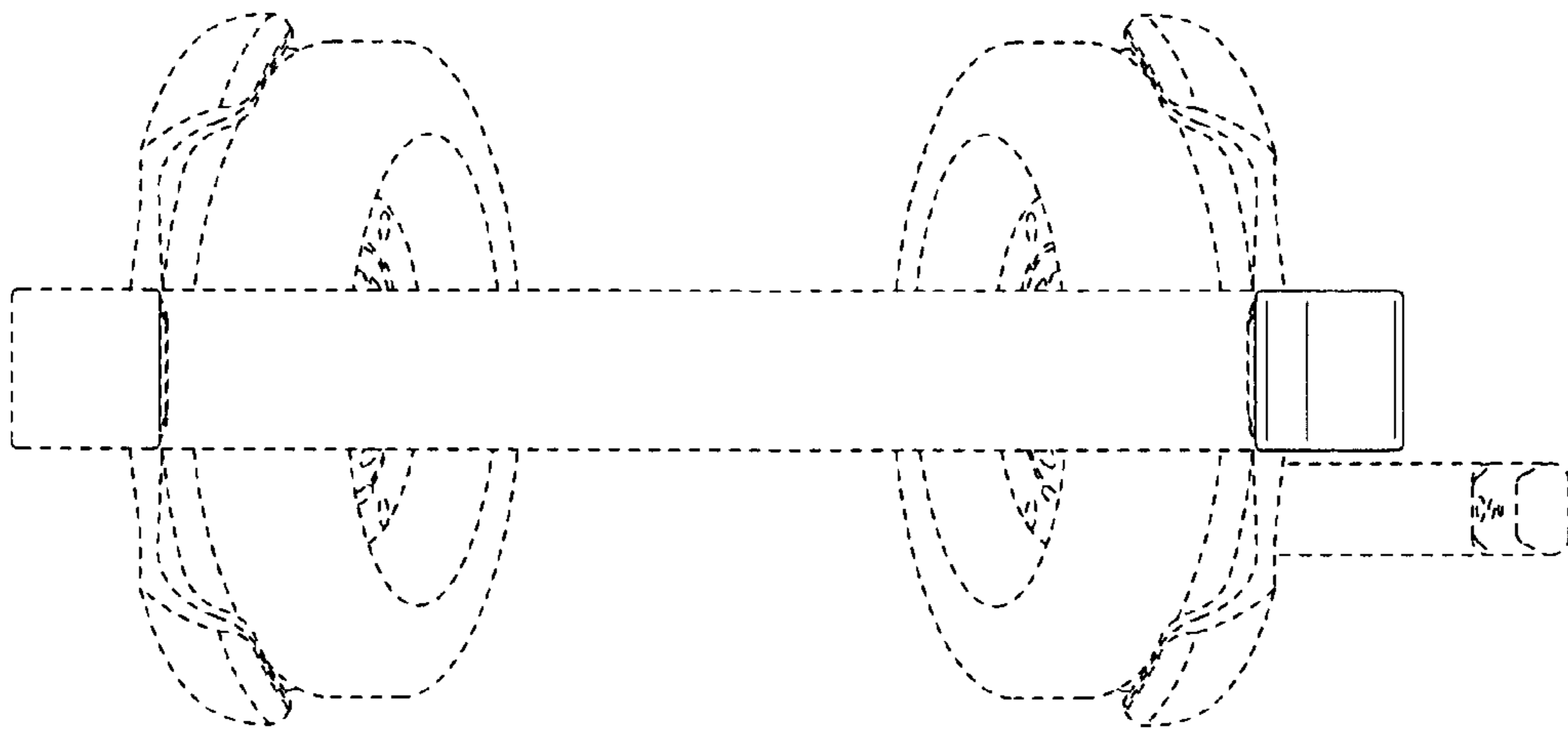


FIG.6

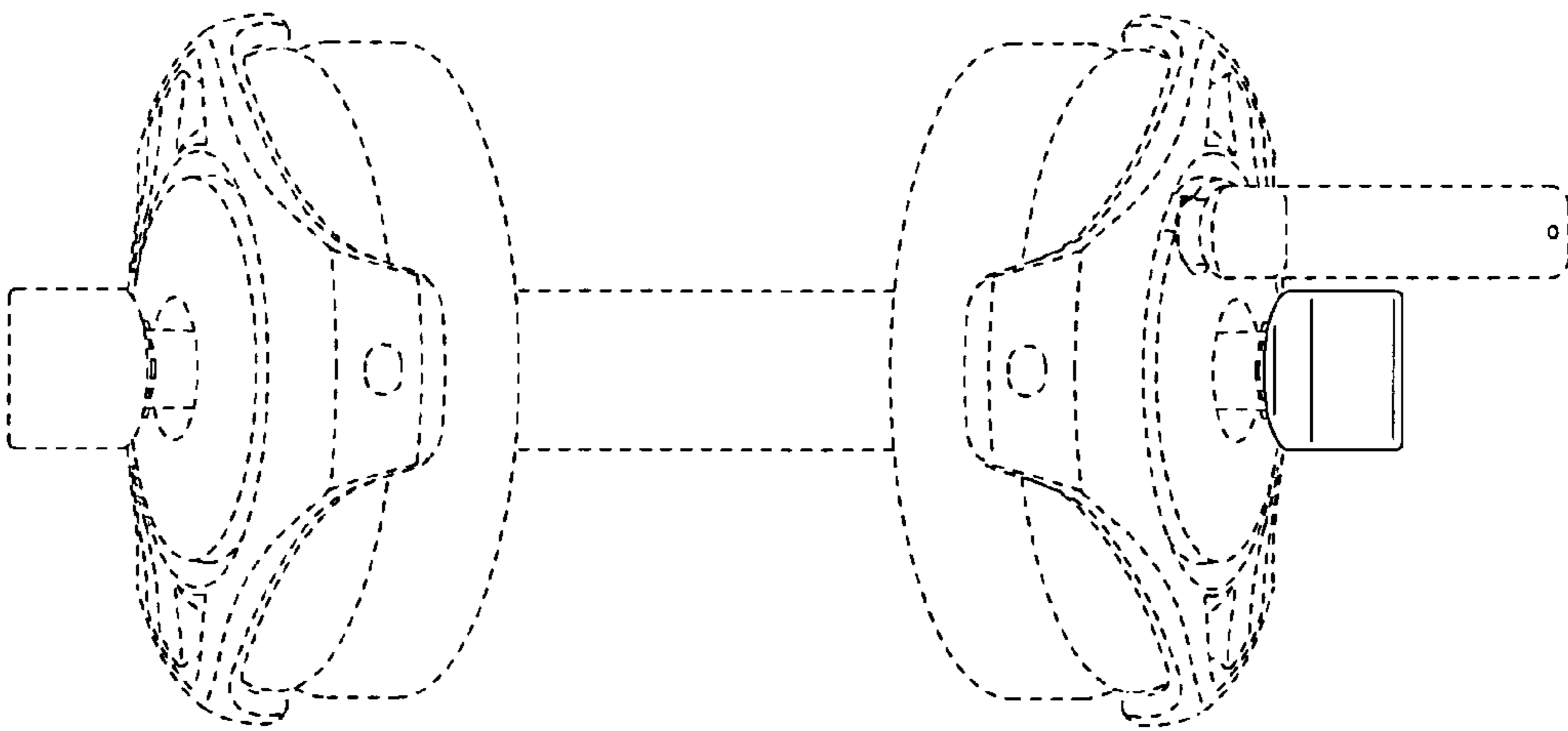


FIG.7

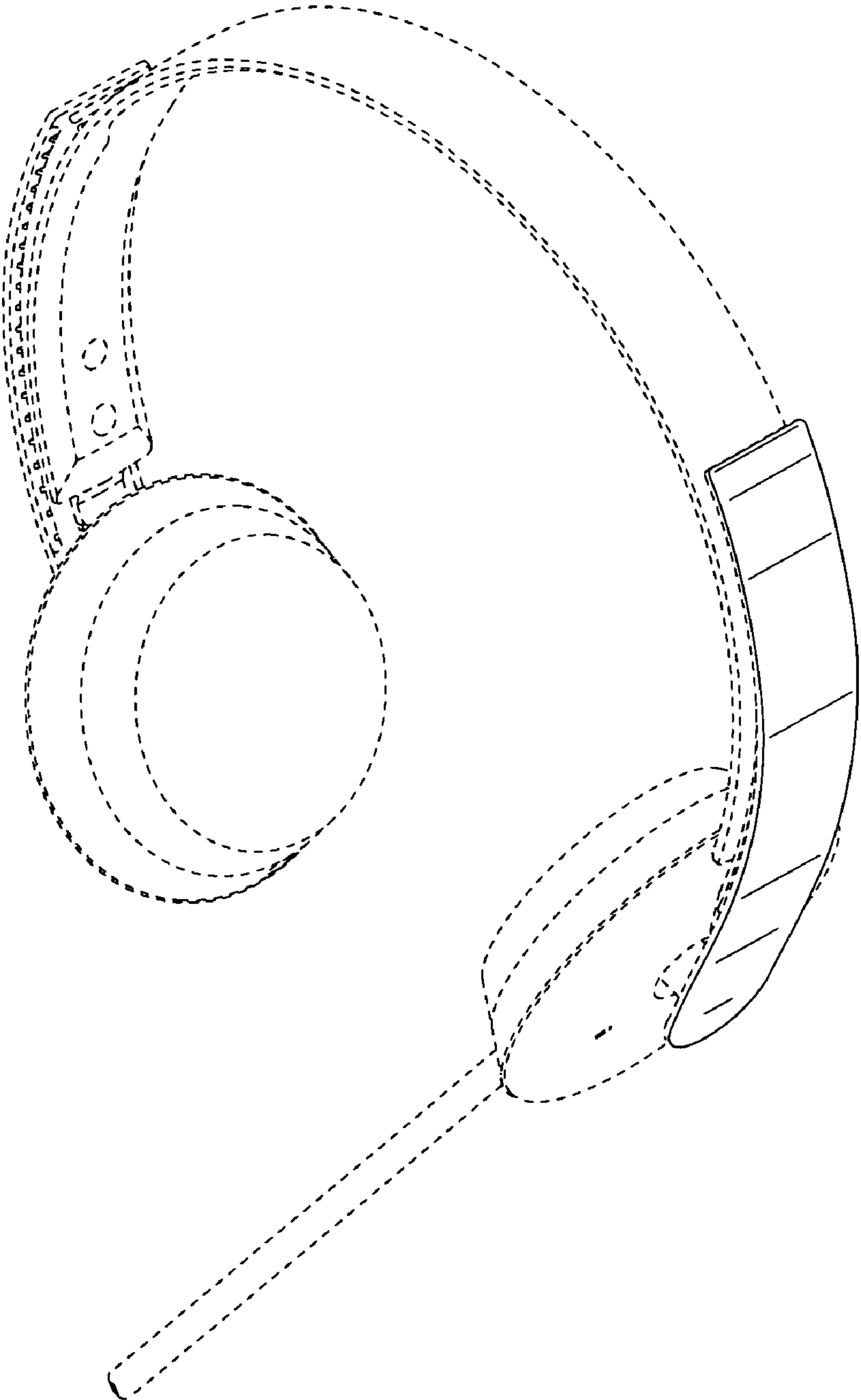


FIG.8

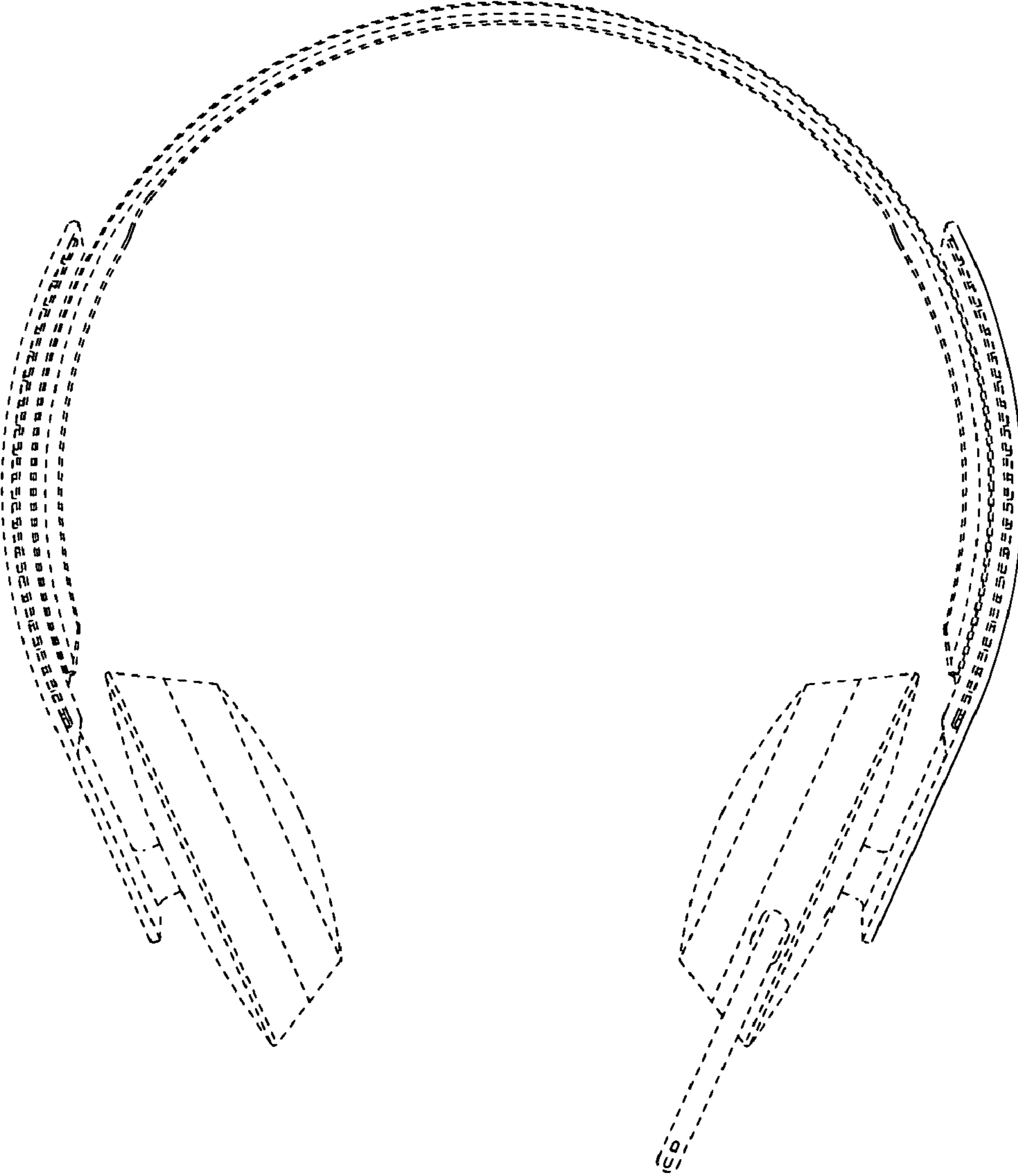


FIG.9

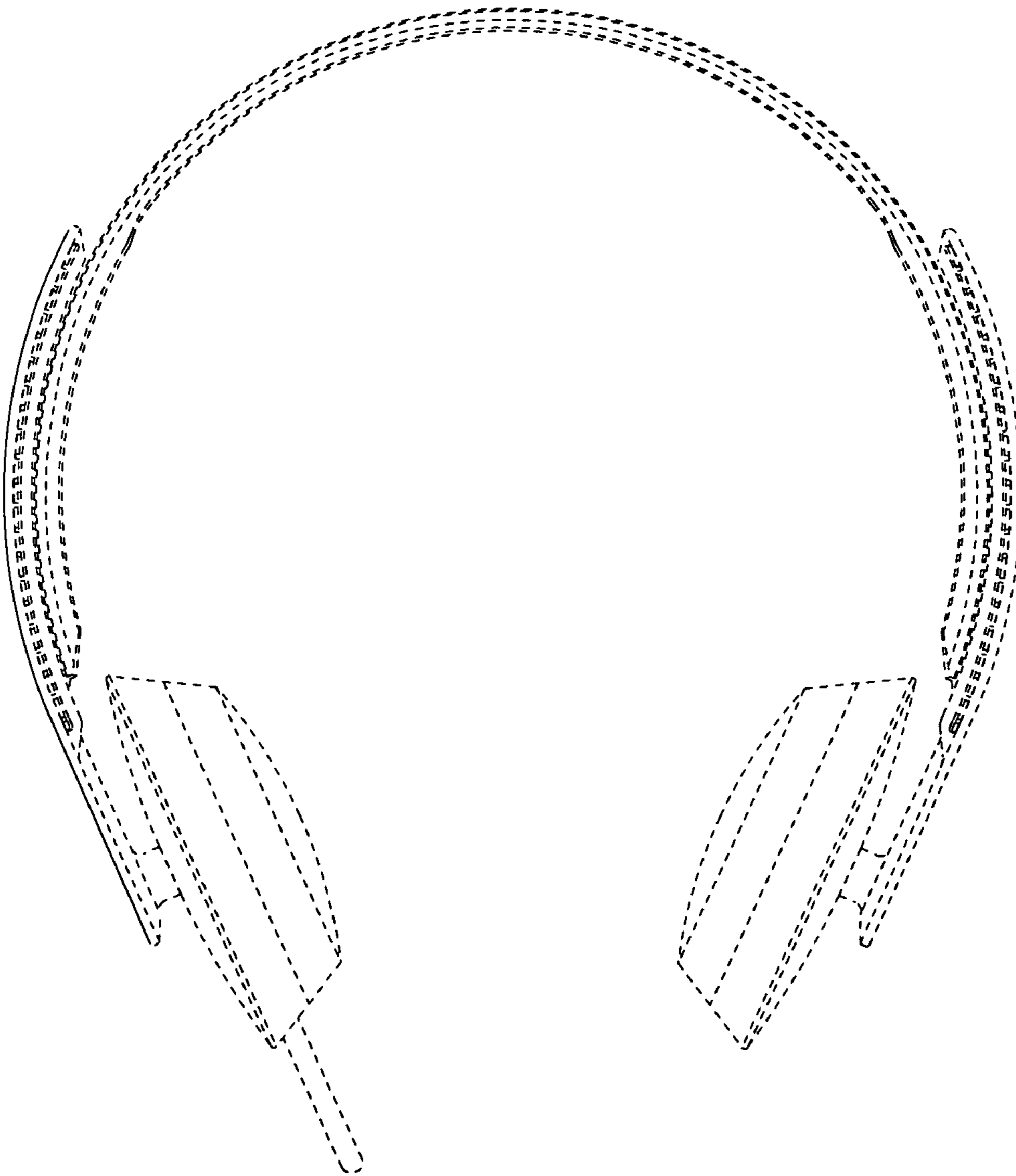


FIG. 10

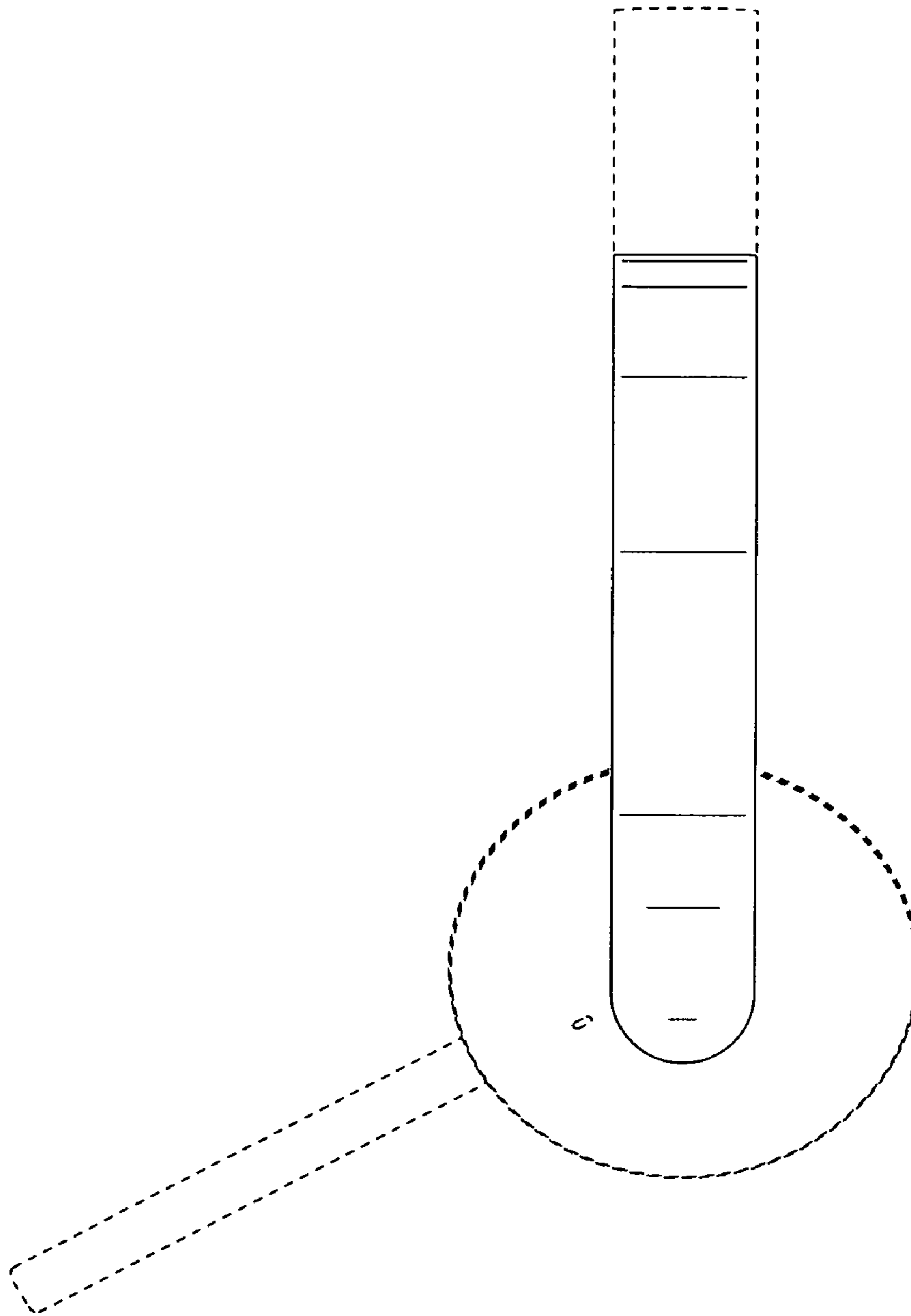


FIG.11

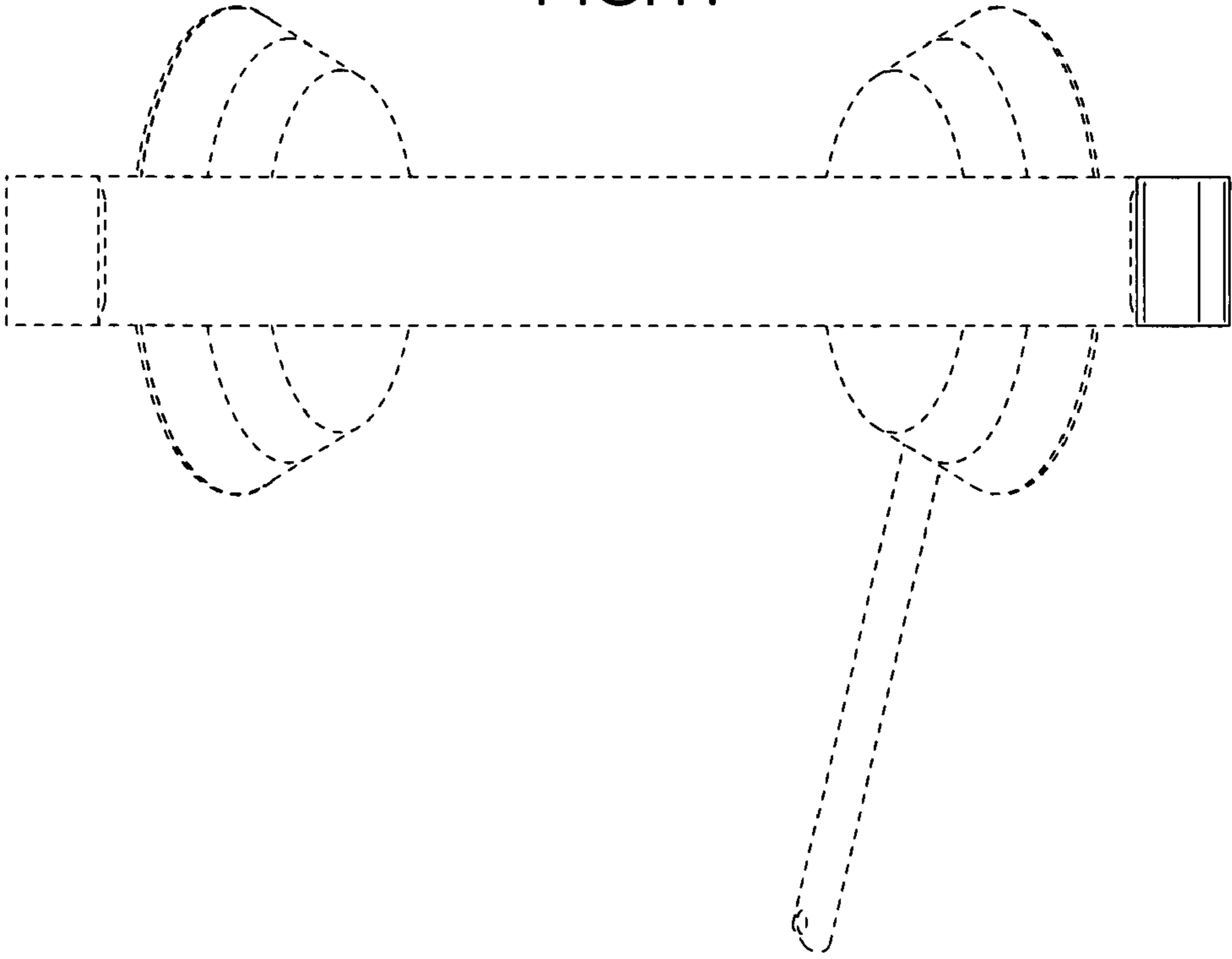


FIG.12

