



US00D662911S

(12) **United States Design Patent**
Sugiyama et al.

(10) **Patent No.:** **US D662,911 S**
(45) **Date of Patent:** **** Jul. 3, 2012**

(54) **DIGITAL MEDIA PLAYER**
(75) Inventors: **Naoki Sugiyama**, Tokyo (JP); **Yusuke Otani**, Tokyo (JP); **Yosuke Shimizu**, Tokyo (JP); **Takeshi Miyazaki**, Tokyo (JP)

(73) Assignee: **Sony Corporation**, Tokyo (JP)

(**) Term: **14 Years**

(21) Appl. No.: **29/347,158**

(22) Filed: **Oct. 7, 2009**

(30) **Foreign Application Priority Data**

Apr. 20, 2009 (CN) 2009 3 0184460
Apr. 20, 2009 (CN) 2009 3 0184461
Apr. 20, 2009 (CN) 2009 3 0184462
Apr. 20, 2009 (CN) 2009 3 0184463
May 13, 2009 (JP) D2009-010631
May 13, 2009 (JP) D2009-010632

(51) **LOC (9) Cl.** **14-03**

(52) **U.S. Cl.** **D14/203.7; D14/496**

(58) **Field of Classification Search** D14/496,
D14/401, 435, 474, 483, 217, 137, 138, 160,
D14/168, 356, 203.1-203.8, 507; 345/156,
345/169, 173-179, 905; 715/727-729, 864;
710/1, 5, 8; 713/1, 600; 455/1.1, 1.7, 73,
455/344-347, 93, 95, 3.01-3.06, 550.1, 573.1;
370/342-344; 369/1, 2, 6-12; 463/43-47;
273/148 B

See application file for complete search history.

(56) **References Cited**

U.S. PATENT DOCUMENTS

D350,159 S * 8/1994 Chu D14/163
D406,588 S 3/1999 Sogabe
D425,890 S 5/2000 Kataoka
D470,470 S 2/2003 Yamada et al.

6,593,914 B1 * 7/2003 Nuovo et al. 345/169
D479,235 S * 9/2003 Tanaka et al. D14/346
D483,735 S 12/2003 Suzuki
D488,471 S * 4/2004 Yagawa et al. D14/346
D513,512 S * 1/2006 Tsai D14/203.7
D518,016 S 3/2006 Hirano
D518,018 S 3/2006 Hirano et al.
D522,019 S * 5/2006 Peng D14/203.7
D538,779 S * 3/2007 Nohara D14/167
D584,302 S 1/2009 Sogabe
D597,520 S * 8/2009 Shiono et al. D14/168
D602,466 S 10/2009 Hibino et al.
D625,286 S * 10/2010 Hibino et al. D14/203.3

(Continued)

FOREIGN PATENT DOCUMENTS

JP D1226196 S 12/2004

(Continued)

OTHER PUBLICATIONS

Photos: Disne's MP3 player for kids-CNET News, http://news.cnet.com/2300-1041_3-5885425.html, Sep. 29, 2005, retrieved from internet on Apr. 29, 2011.*

(Continued)

Primary Examiner — Prabhakar Deshmukh

(74) *Attorney, Agent, or Firm* — Rader, Fishman & Grauer PLLC

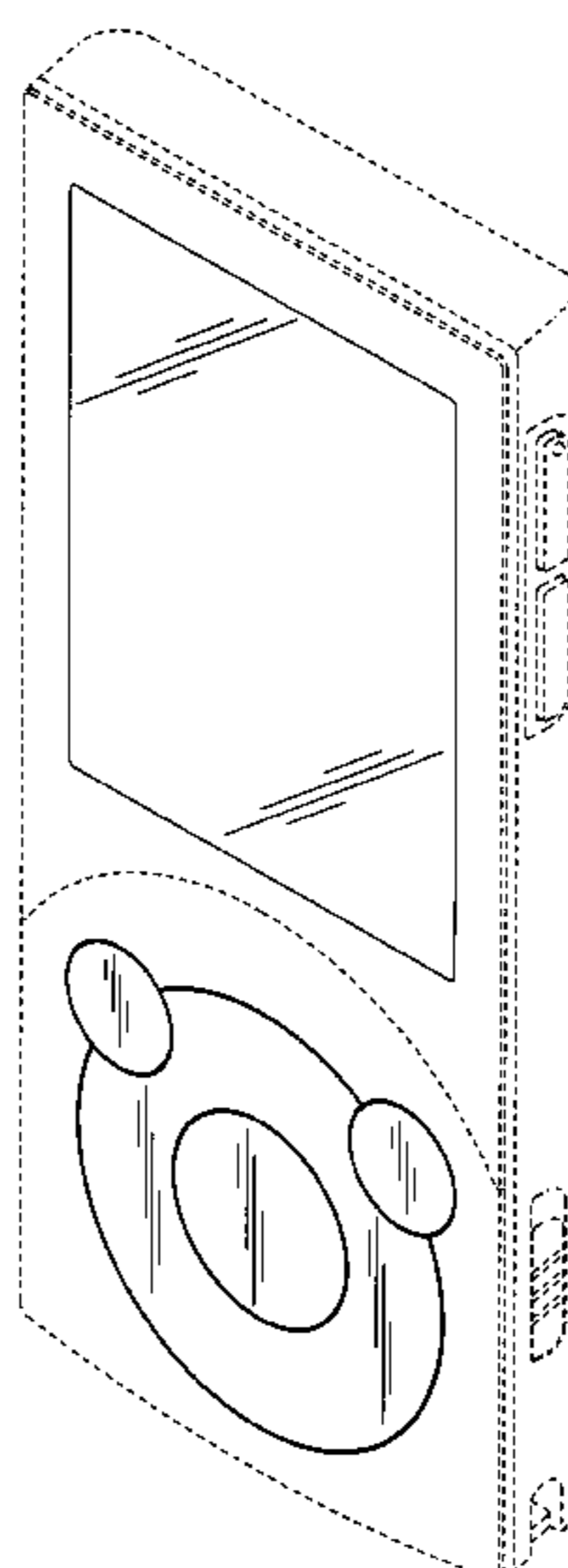
(57) **CLAIM**

The ornamental design for a digital media player, as shown and described.

DESCRIPTION

FIG. 1 is a perspective view of a digital media player showing our new design; and, FIG. 2 is a front elevational view thereof. The broken lines are for illustrative purpose only and form no part of the claimed design.

1 Claim, 2 Drawing Sheets



US D662,911 S

Page 2

U.S. PATENT DOCUMENTS

7,813,116 B2 * 10/2010 Hsu 361/679.33

FOREIGN PATENT DOCUMENTS

JP D1226197 S 12/2004
JP D1226527 S 12/2004
JP D1228722 S 1/2005
JP D1250014 S 9/2005
JP D1250015 S 9/2005
JP D1250920 S 9/2005
JP 1268734 S * 4/2006

JP D1309205 S 9/2007
JP D1319544 S 1/2008
JP D1356453 S 4/2009
JP D1357043 S 4/2009
JP D1362497 S 6/2009

OTHER PUBLICATIONS

News release, Disney MP3 Player, <http://www.runat.co.jp/runat/release27/htm>, 4 sheets, RUNA co., ltd. Mar. 09, 2007.

* cited by examiner

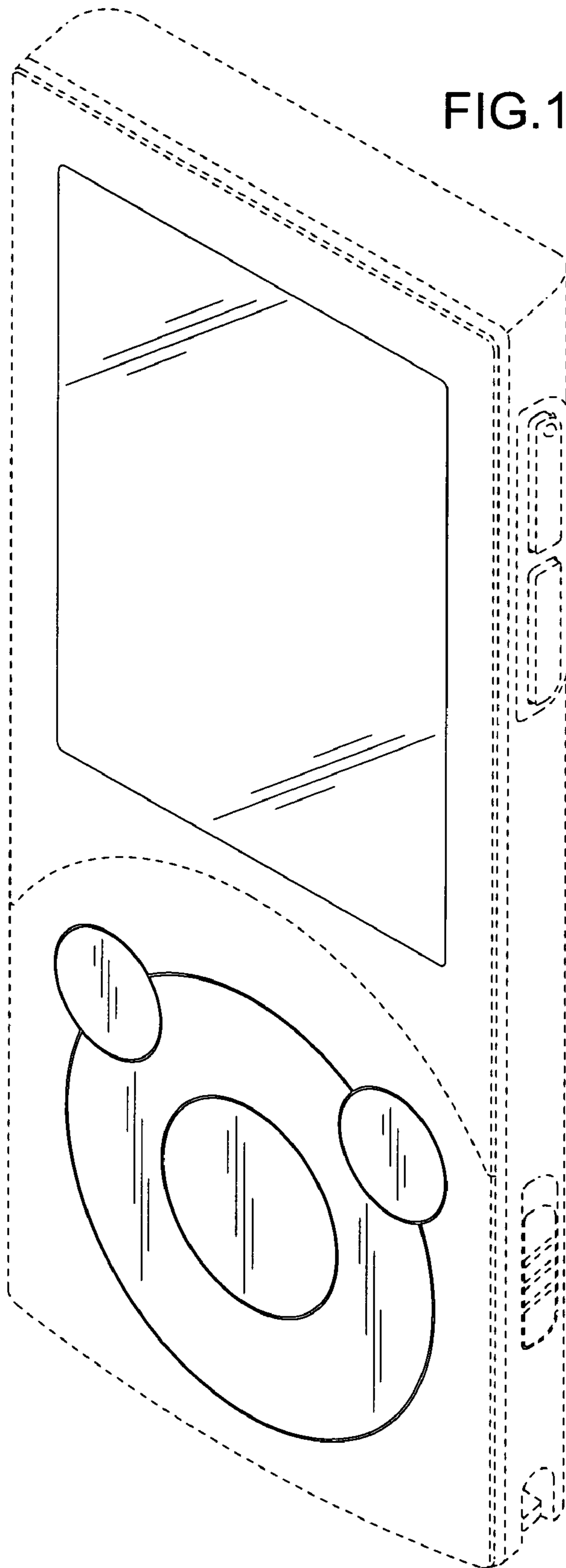


FIG.2

