

US00D662909S

(12) **United States Design Patent**
Dix et al.

(10) **Patent No.:** **US D662,909 S**

(45) **Date of Patent:** **** Jul. 3, 2012**

(54) **TELEPHONE**

(75) Inventors: **David Porter Dix**, San Francisco, CA (US); **Carles Puche Moré**, Barcelona (ES); **Howard Nuk**, San Francisco, CA (US); **Lucas Edmund Saule**, San Francisco, CA (US); **Dieter Werner Rencken**, Los Gatos, CA (US)

(73) Assignee: **Shoretel, Inc.**, Sunnyvale, CA (US)

(**) Term: **14 Years**

(21) Appl. No.: **29/388,510**

(22) Filed: **Mar. 29, 2011**

(51) **LOC (9) Cl.** **14-03**

(52) **U.S. Cl.** **D14/151**

(58) **Field of Classification Search** D14/130,
D14/138 R, 140, 140.1, 142, 144–145, 147–151,
D14/158–159, 168, 240, 242, 243, 496, 217,
D14/329–330, 434, 466–467, 251–253; 379/387.01,
379/388.02, 420.02, 447, 453, 434; 381/16;
D21/517; 455/351; D13/108

See application file for complete search history.

(56) **References Cited**

U.S. PATENT DOCUMENTS

D326,850	S	*	6/1992	Joffe et al.	D14/142
5,369,700	A	*	11/1994	Koura et al.	379/165
D381,981	S	*	8/1997	Johansson	D14/151
D402,977	S	*	12/1998	Lytel	D14/130
D410,005	S	*	5/1999	Landry et al.	D14/151
D418,488	S	*	1/2000	NG et al.	D14/329
D420,405	S	*	2/2000	Plain et al.	D21/517
6,019,338	A	*	2/2000	Brown et al.	248/371
6,121,958	A	*	9/2000	Clark et al.	345/168
D439,231	S	*	3/2001	Song	D14/144
D457,151	S	*	5/2002	Shintani	D14/151
D457,870	S	*	5/2002	Toyoshima et al.	D14/150
D472,540	S	*	4/2003	Katou	D14/151
D482,342	S	*	11/2003	Weidinger	D14/151
6,683,952	B1	*	1/2004	Bernardi et al.	379/447

D499,713	S	*	12/2004	Shibata et al.	D14/151
D511,761	S	*	11/2005	Robinson et al.	D14/151
D515,063	S	*	2/2006	Yanagisawa et al.	D14/151
D529,477	S	*	10/2006	Hsu	D14/151
D558,182	S	*	12/2007	Takada et al.	D14/151
D562,304	S	*	2/2008	Takada et al.	D14/151
D572,701	S	*	7/2008	Tani	D14/151
D611,031	S	*	3/2010	Lesniak et al.	D14/151
2012/0034795	A1	*	2/2012	Nitobe et al.	439/142

OTHER PUBLICATIONS

ShoreTel IP Phone 560g, <URL:http://www.shoretel.com/products/ip_phones/ShoreTel_IP_Phone_560g.html>, retrieved from internet Feb. 18, 2012.*

ShoreTel IP Phone 230, <URL:http://www.shoretel.com/products/ip_phones/ShoreTel_IP_Phone_230.html>, retrieved from internet Feb. 18, 2012.*

(Continued)

Primary Examiner — Carla Wright

(74) *Attorney, Agent, or Firm* — Kilpatrick Townsend & Stockton LLP

(57) **CLAIM**

The ornamental design for a telephone, as shown and described.

DESCRIPTION

FIG. 1 is a perspective view of a telephone showing our new design;

FIG. 2 is a front elevational view thereof;

FIG. 3 is a rear elevational view thereof;

FIG. 4 is a top plan view thereof;

FIG. 5 is a bottom plan view thereof;

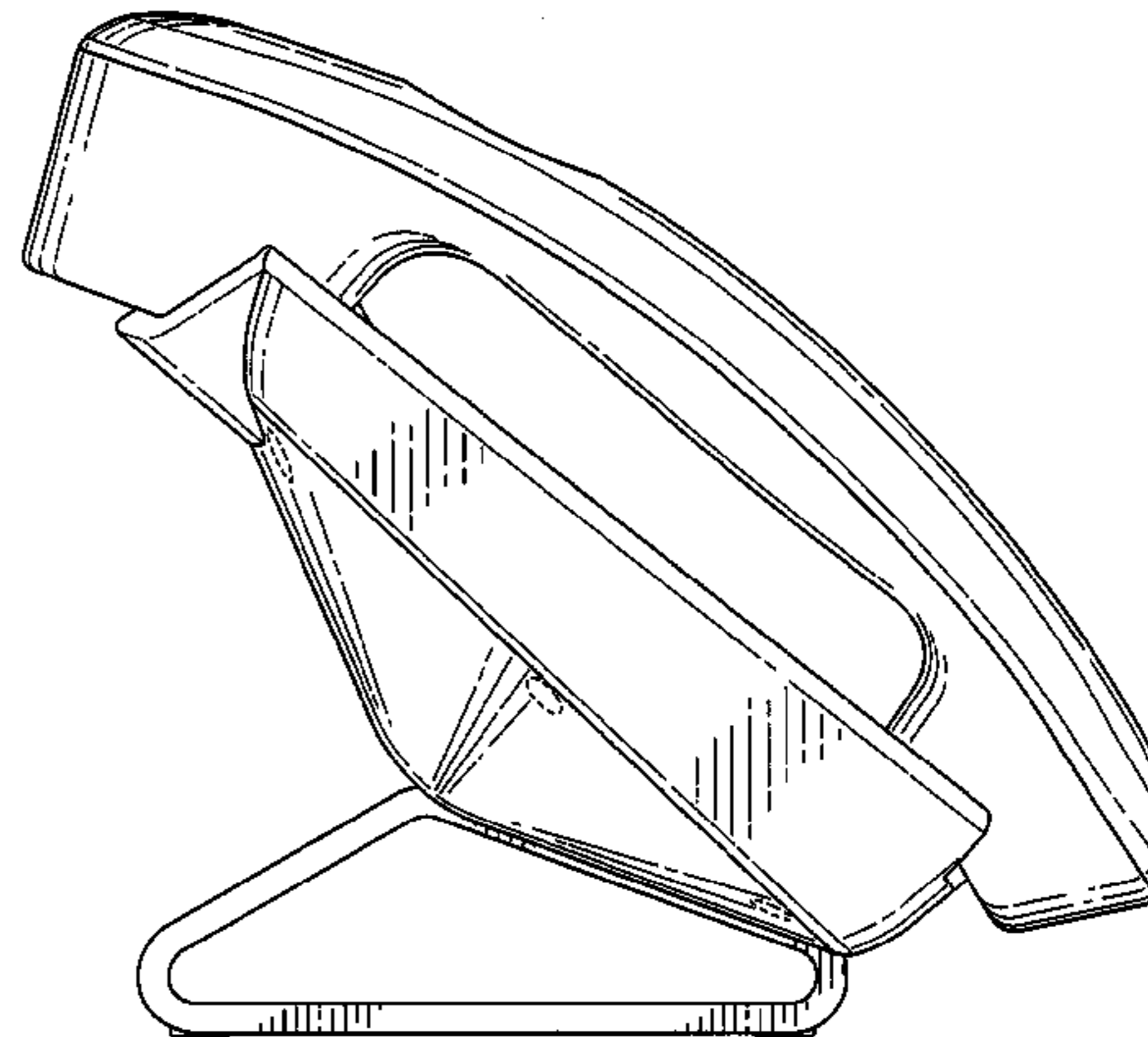
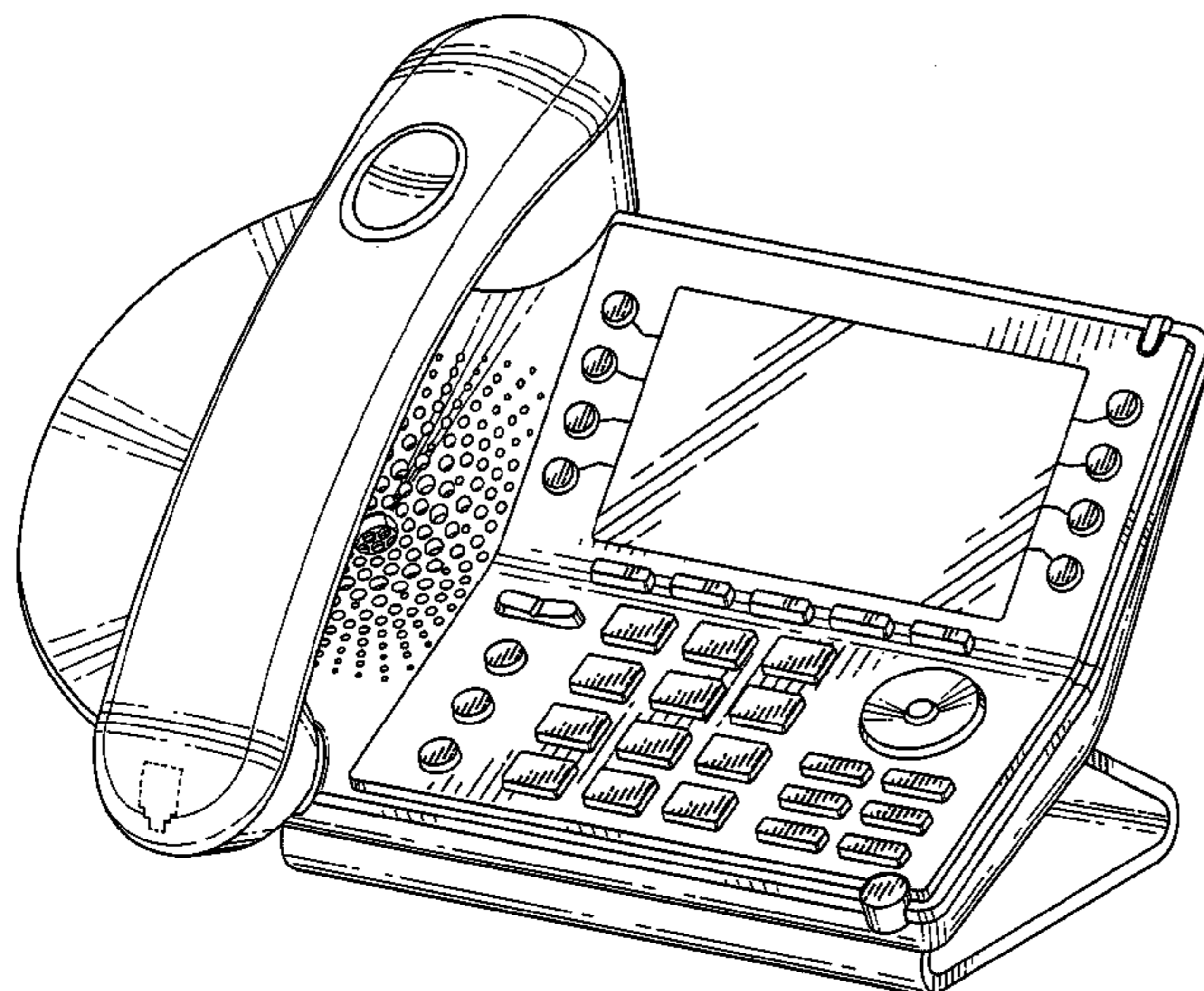
FIG. 6 is a left side elevational view thereof;

FIG. 7 is a right side elevational view thereof; and,

FIG. 8 is a perspective view of the telephone of FIG. 1 shown with the handset removed from the base of the telephone for clarity of disclosure.

In the drawings, the broken lines indicate portions of the telephone that form no part of the claimed design.

1 Claim, 8 Drawing Sheets



US D662,909 S

Page 2

OTHER PUBLICATIONS

Nortel I2002 IP telephone 2004 2007 ip phones, <URL:http://www.headsets4business.co.uk/product-detail/Nortel_I2002ip/new-

nortel-i2002-ip-telephone-2004-2007-ip-phones/>, retrieved from internet Feb. 18, 2012.*

* cited by examiner

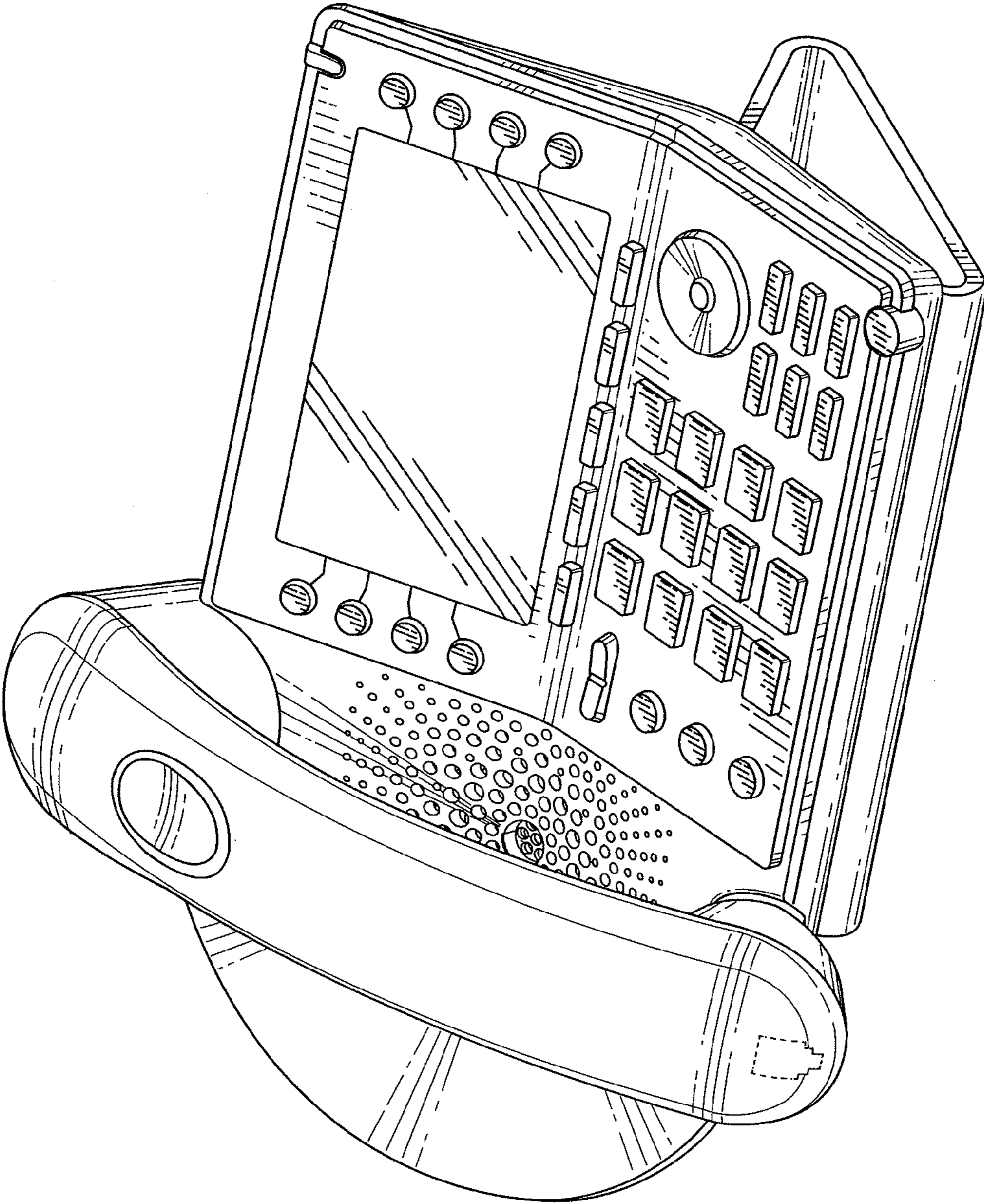


FIG. 1

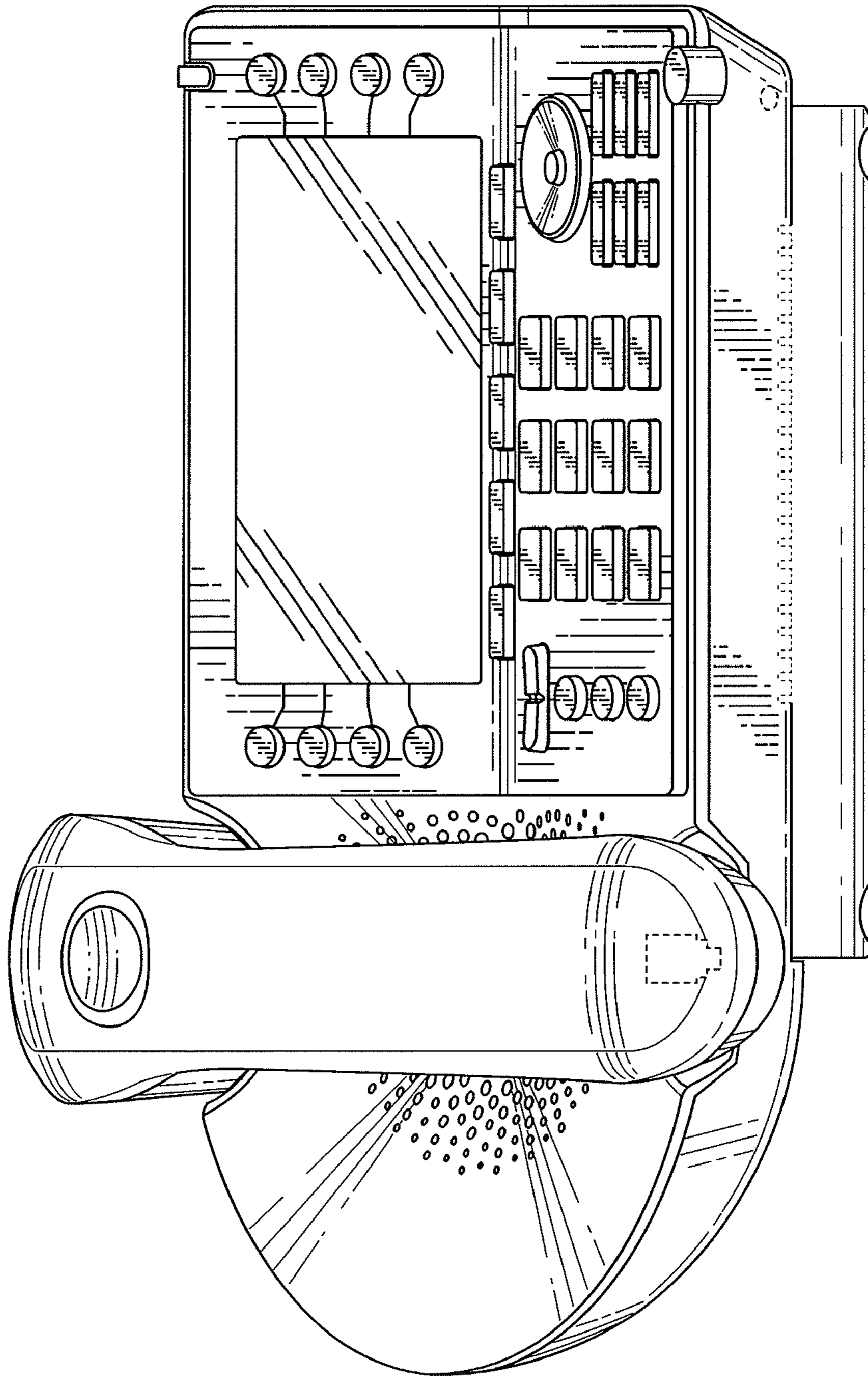


FIG. 2

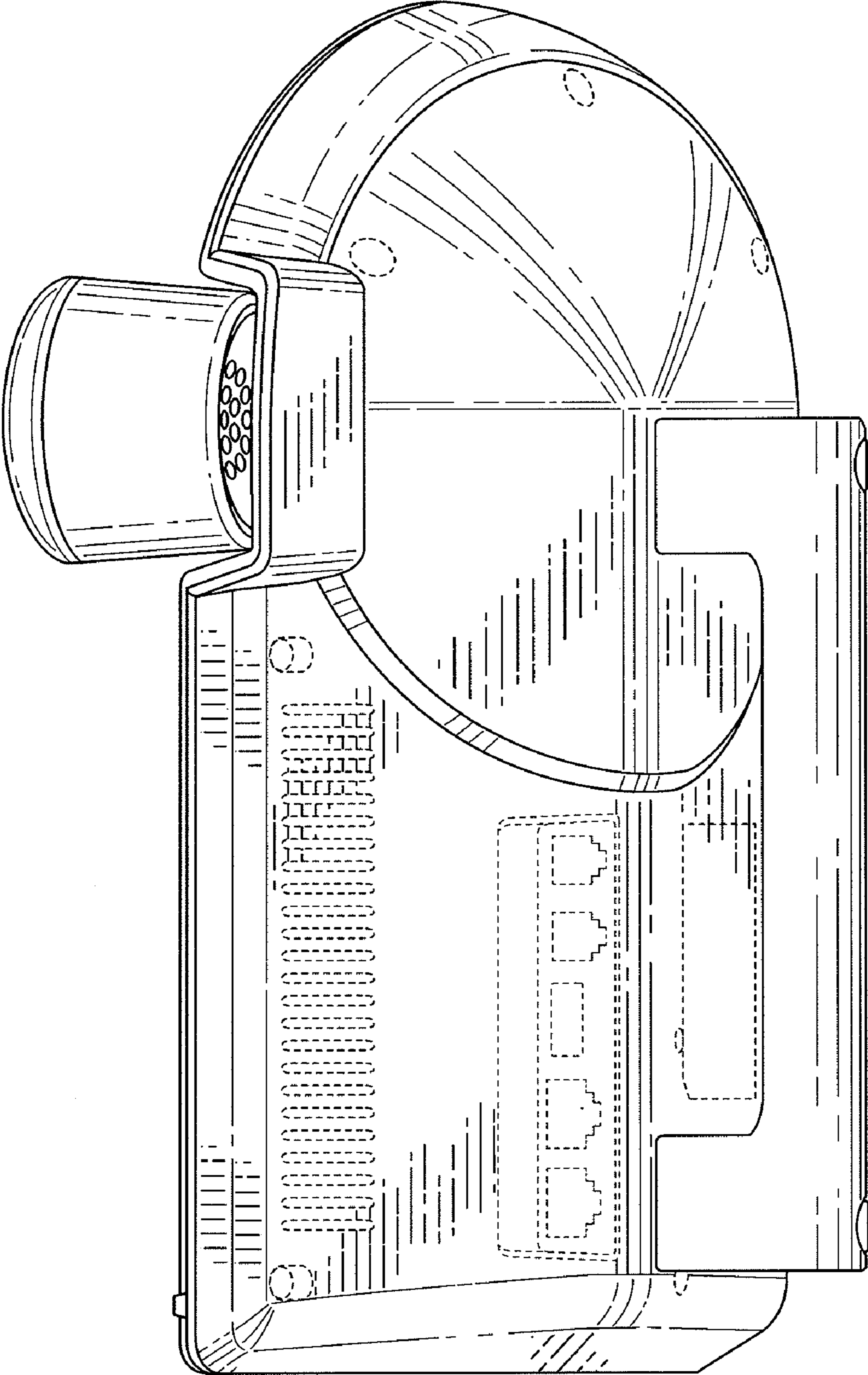


FIG. 3

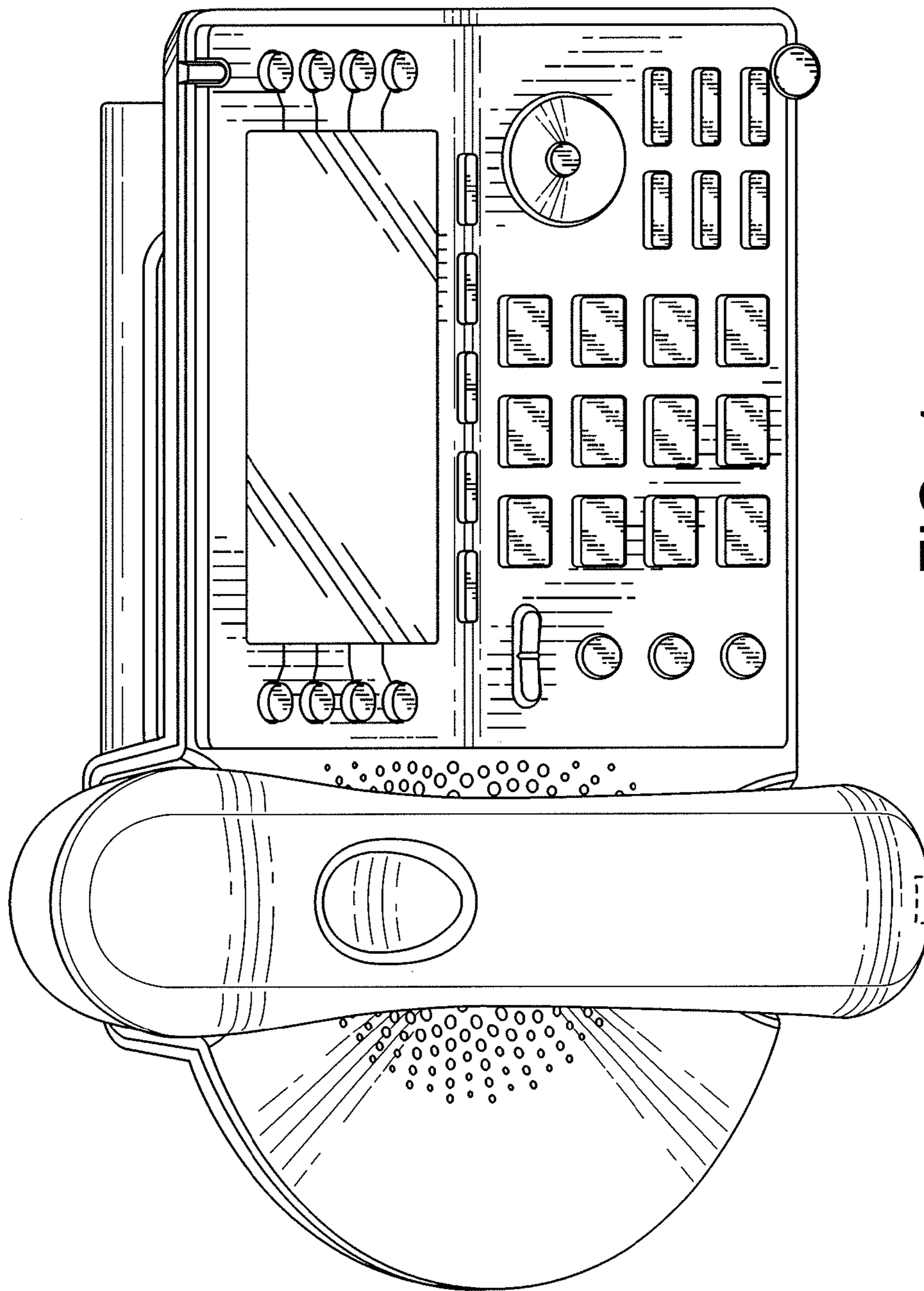


FIG. 4

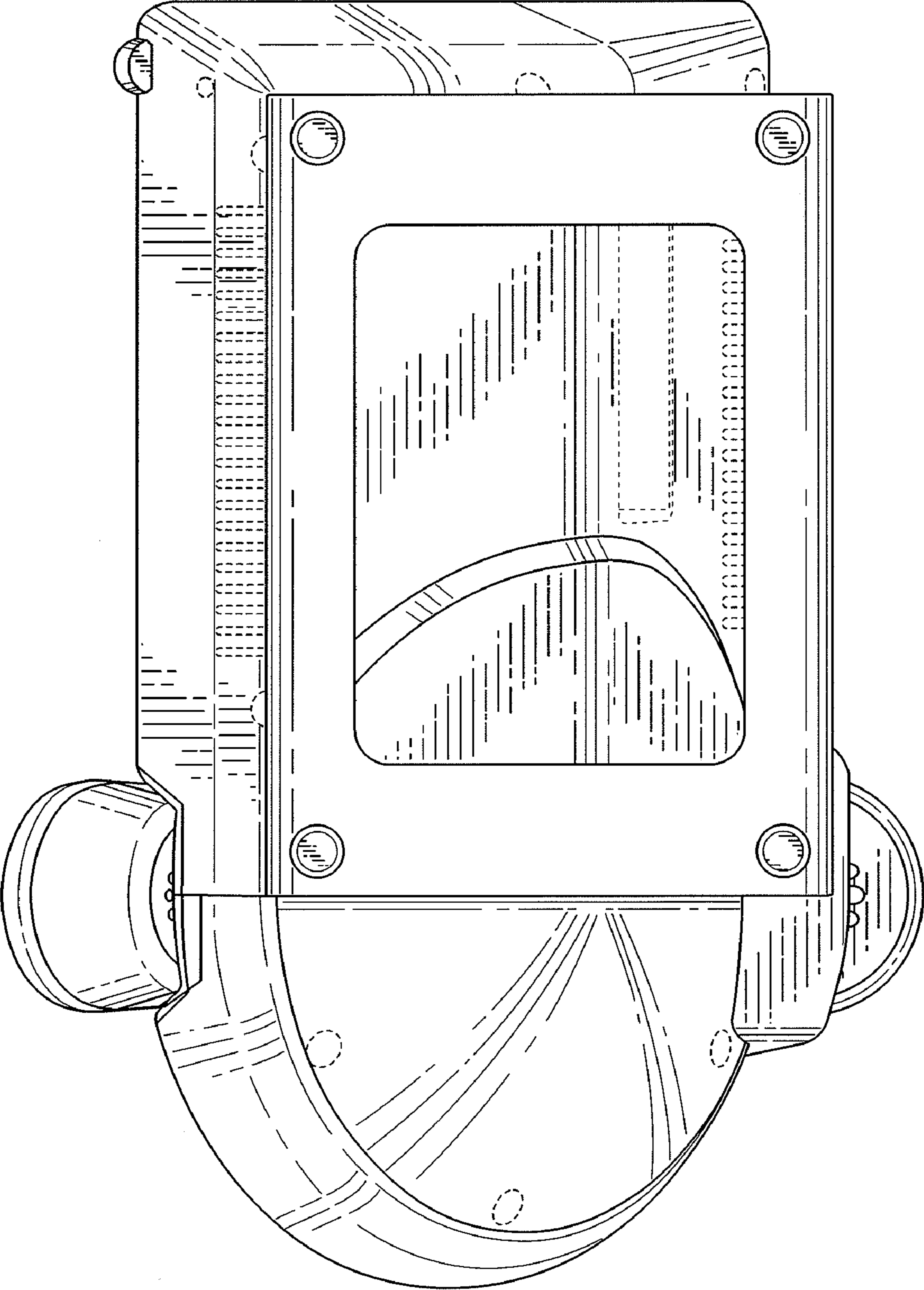


FIG. 5

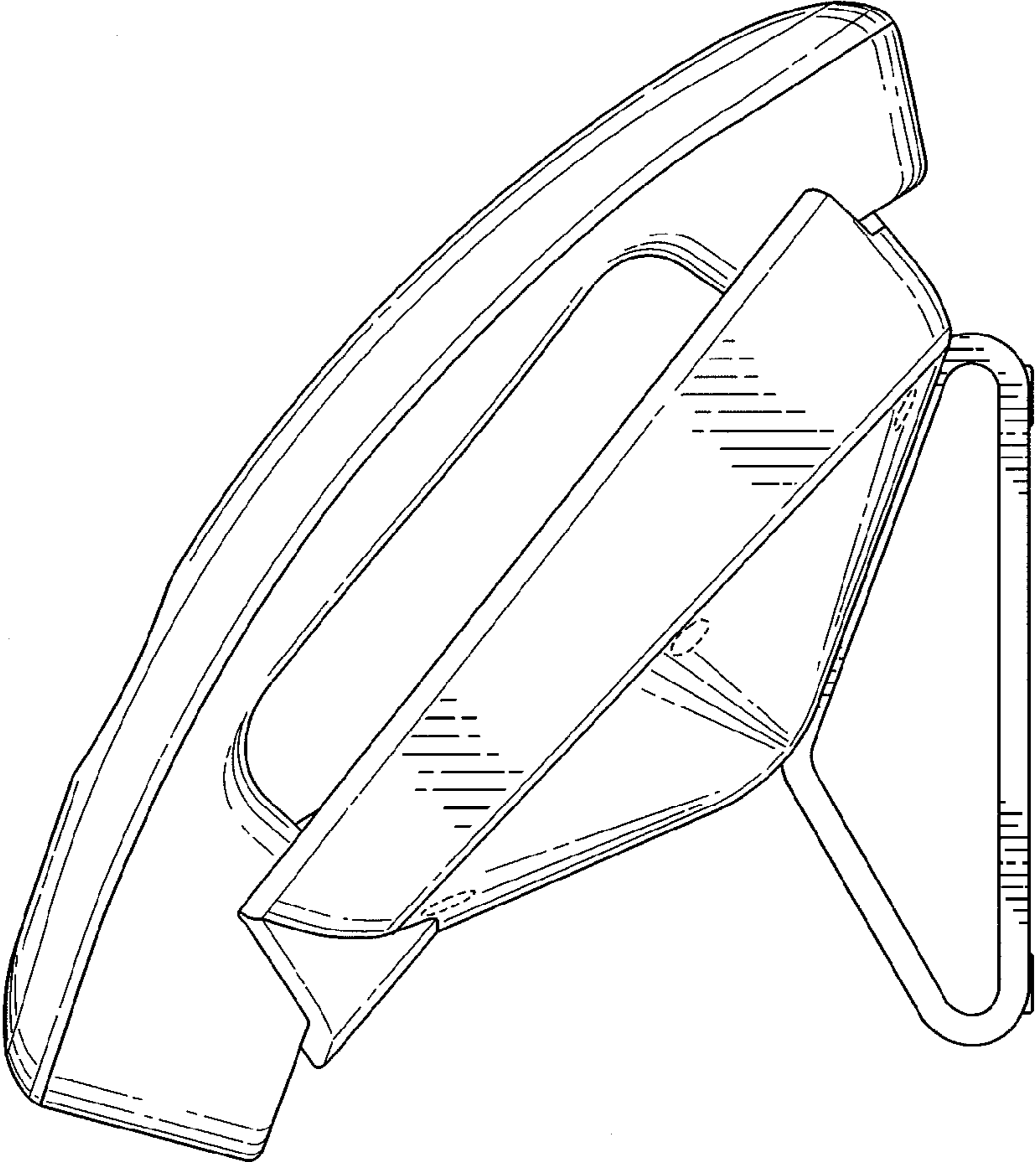


FIG. 6

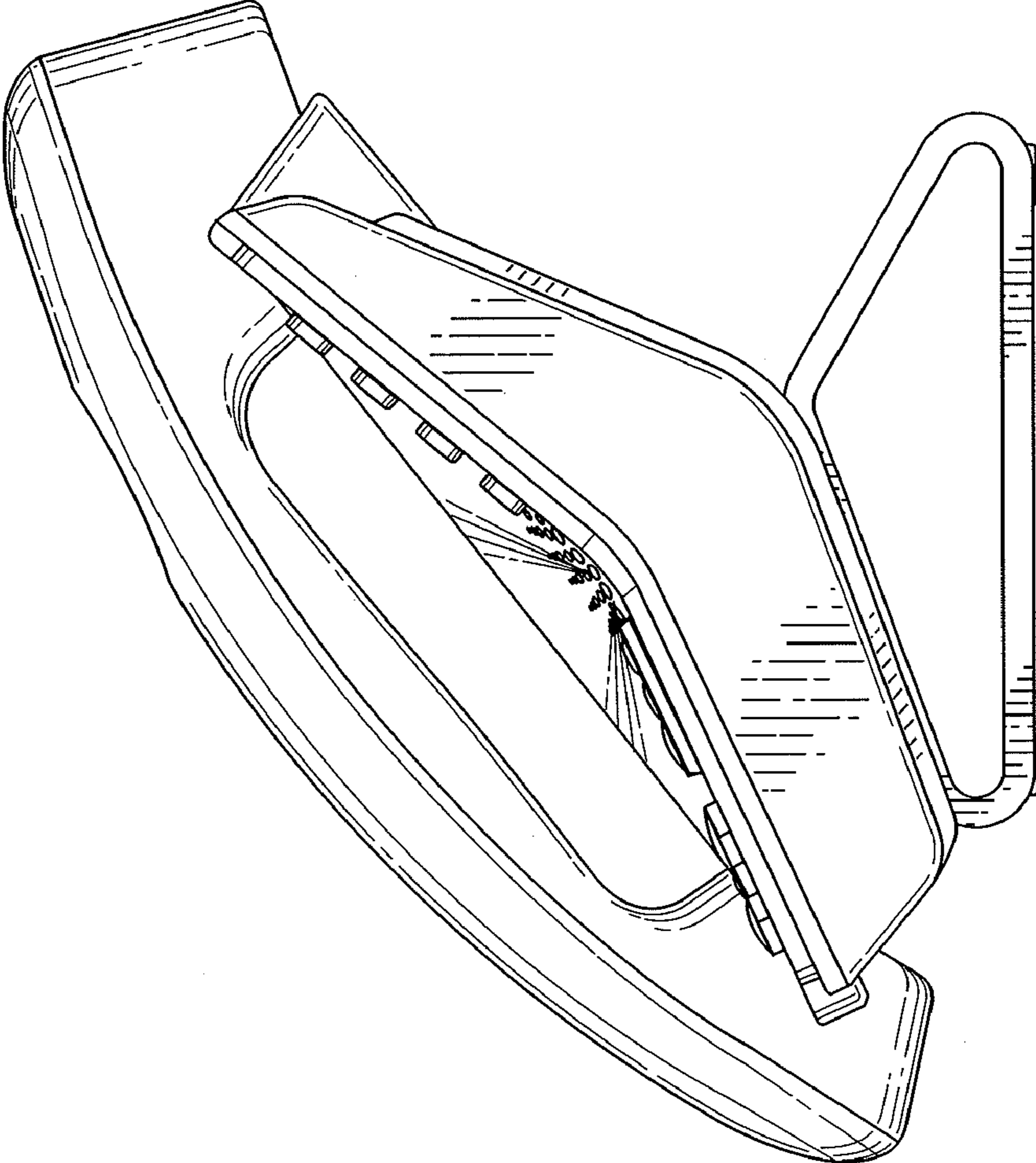


FIG. 7

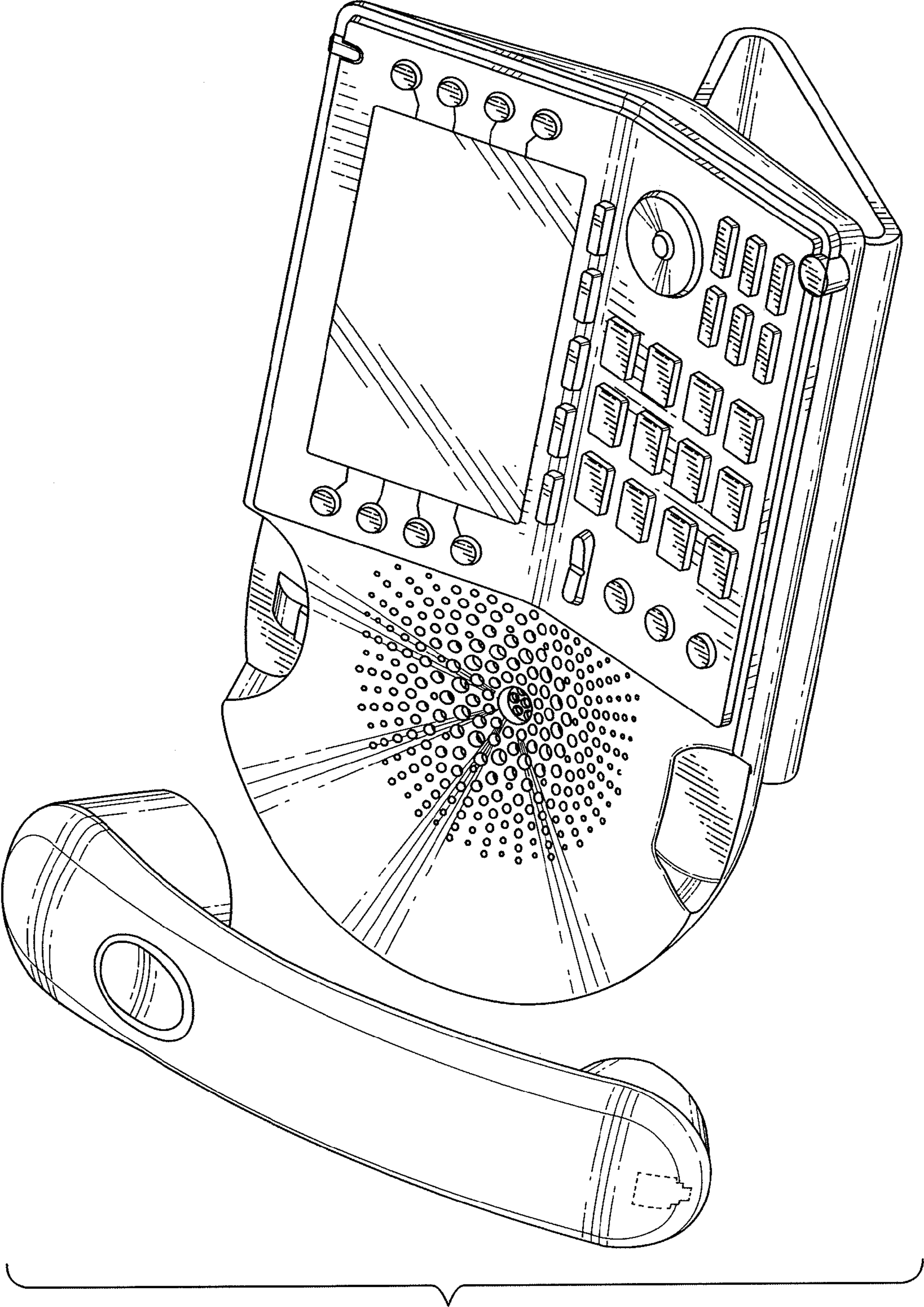


FIG. 8