

US00D662905S

(12) **United States Design Patent**
Bang et al.

(10) **Patent No.:** **US D662,905 S**
(45) **Date of Patent:** **** Jul. 3, 2012**

(54) **SET TOP BOX**

(75) Inventors: **Sung-II Bang**, Seoul (KR);
Kyung-Hoon Kim, Kyunggi-do (KR);
Yeon-Moo Chung, Seoul (KR)

(73) Assignee: **Samsung Electronics Co., Ltd.**,
Kyunggi-do (KR)

(**) Term: **14 Years**

(21) Appl. No.: **29/417,264**

(22) Filed: **Apr. 2, 2012**

(30) **Foreign Application Priority Data**

Oct. 24, 2011 (KR) 30-2011-0044326

(51) **LOC (9) Cl.** **14-03**

(52) **U.S. Cl.** **D14/125**

(58) **Field of Classification Search** D14/125,
D14/357-358, 496, 188, 242, 432; D13/184;
348/10, 460, 706, 731; 340/825.03; 455/6.1,
455/6.2; 312/223.1, 7.2

See application file for complete search history.

(56) **References Cited**

U.S. PATENT DOCUMENTS

D529,879 S	10/2006	Park et al.
D533,157 S	12/2006	Park
D541,811 S	5/2007	Park
D544,455 S	6/2007	Park et al.
D545,774 S	7/2007	Woo et al.
D551,183 S	9/2007	Park et al.
D560,176 S	1/2008	Woo
D560,177 S	1/2008	Chun et al.
D560,689 S	1/2008	Cho
D567,193 S	4/2008	Kang et al.
D571,754 S	6/2008	Cho et al.
D574,793 S	8/2008	Kim et al.
D584,254 S	1/2009	Jeon et al.
D584,701 S	1/2009	Kim et al.
D585,395 S	1/2009	Cho et al.
D587,223 S	2/2009	Chun
D587,224 S	2/2009	Chun et al.

D588,559 S	3/2009	Kim et al.
D592,619 S	5/2009	Woo et al.
D592,620 S	5/2009	Kim et al.
D593,971 S	6/2009	Kim et al.
D593,972 S	6/2009	Cho et al.
D593,973 S	6/2009	Cho et al.
D596,149 S	7/2009	Cho et al.
D599,753 S	9/2009	Cho et al.
D602,887 S	10/2009	Cho et al.
D602,888 S	10/2009	Cho et al.
D602,889 S	10/2009	Cho et al.
D602,890 S	10/2009	Cho et al.
D608,310 S	1/2010	Cho et al.
D608,744 S	1/2010	Kim et al.
D608,745 S	1/2010	Cho et al.
D609,656 S	2/2010	Cho et al.
D610,102 S	2/2010	Cho et al.
D635,530 S	4/2011	Sung et al.
D635,531 S	4/2011	Cho et al.

(Continued)

OTHER PUBLICATIONS

U.S. Appl. No. 29/8404,706, Applicant: Sung-II Bang, et al., filed Oct. 25, 2011 entitled Set Top Box.

Primary Examiner — Raphael Barkai

Assistant Examiner — Randall Gholson

(74) *Attorney, Agent, or Firm* — Flynn, Thiel, Boutell & Tanis, P.C.

(57) **CLAIM**

The ornamental design for a set top box, as shown and described.

DESCRIPTION

FIG. 1 is a top front perspective view of a set top box showing our new design;

FIG. 2 is a front elevational view thereof;

FIG. 3 is a rear elevational view thereof;

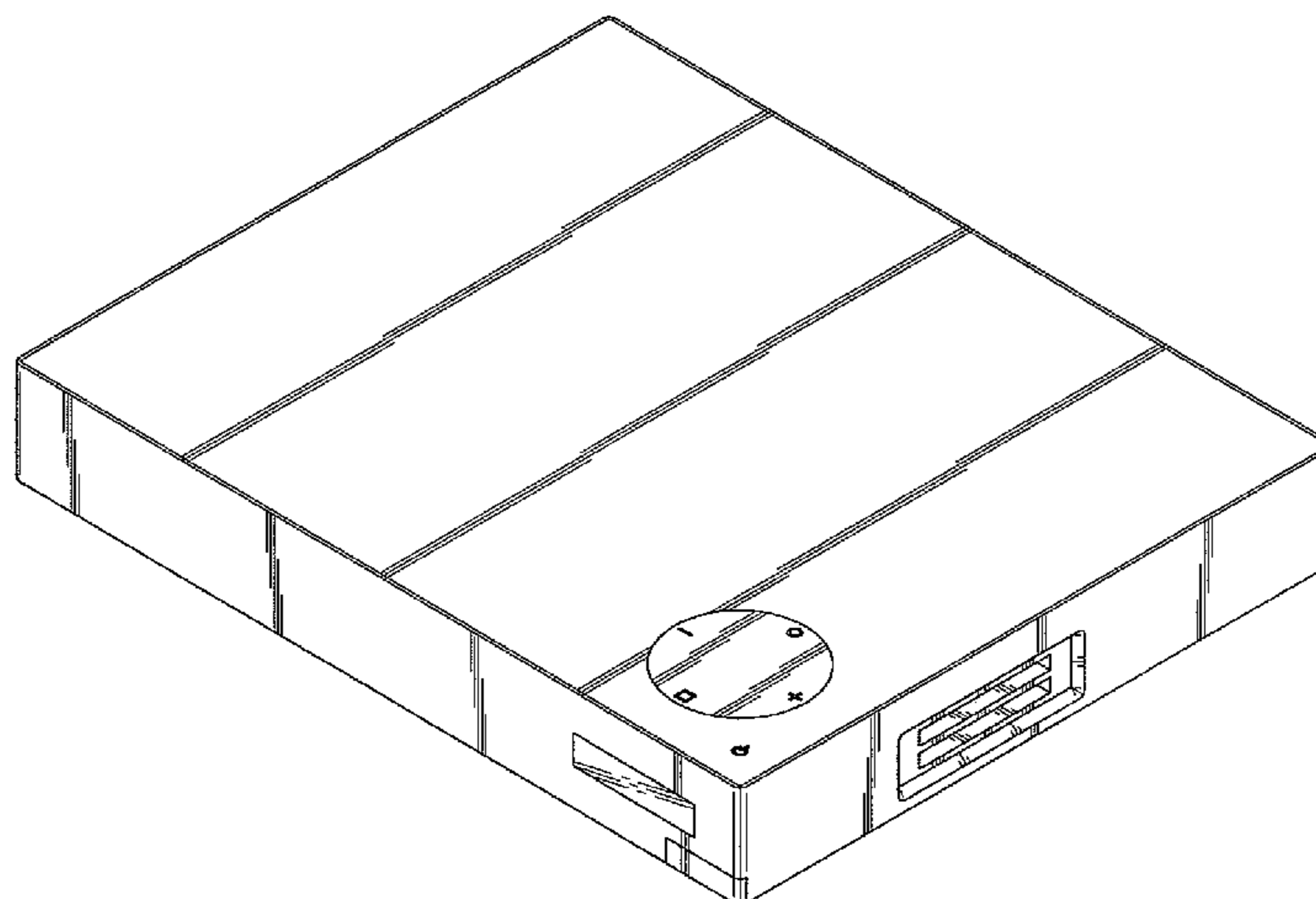
FIG. 4 is a left side elevational view thereof;

FIG. 5 is a right side elevational view thereof;

FIG. 6 is a top plan view thereof; and,

FIG. 7 is a bottom plan view thereof.

1 Claim, 3 Drawing Sheets



US D662,905 S

Page 2

U.S. PATENT DOCUMENTS

D635,532 S	4/2011	Sung et al.	D635,940 S	4/2011	Cho et al.
D635,533 S	4/2011	Cho et al.	D639,254 S	6/2011	Giovannoni et al.
D635,534 S	4/2011	Cho et al.	D646,240 S	10/2011	Kim et al.
D635,535 S	4/2011	Cho et al.	D649,945 S	12/2011	Kim et al.
			D650,345 S	12/2011	Kim
			D658,610 S	5/2012	Bang et al.

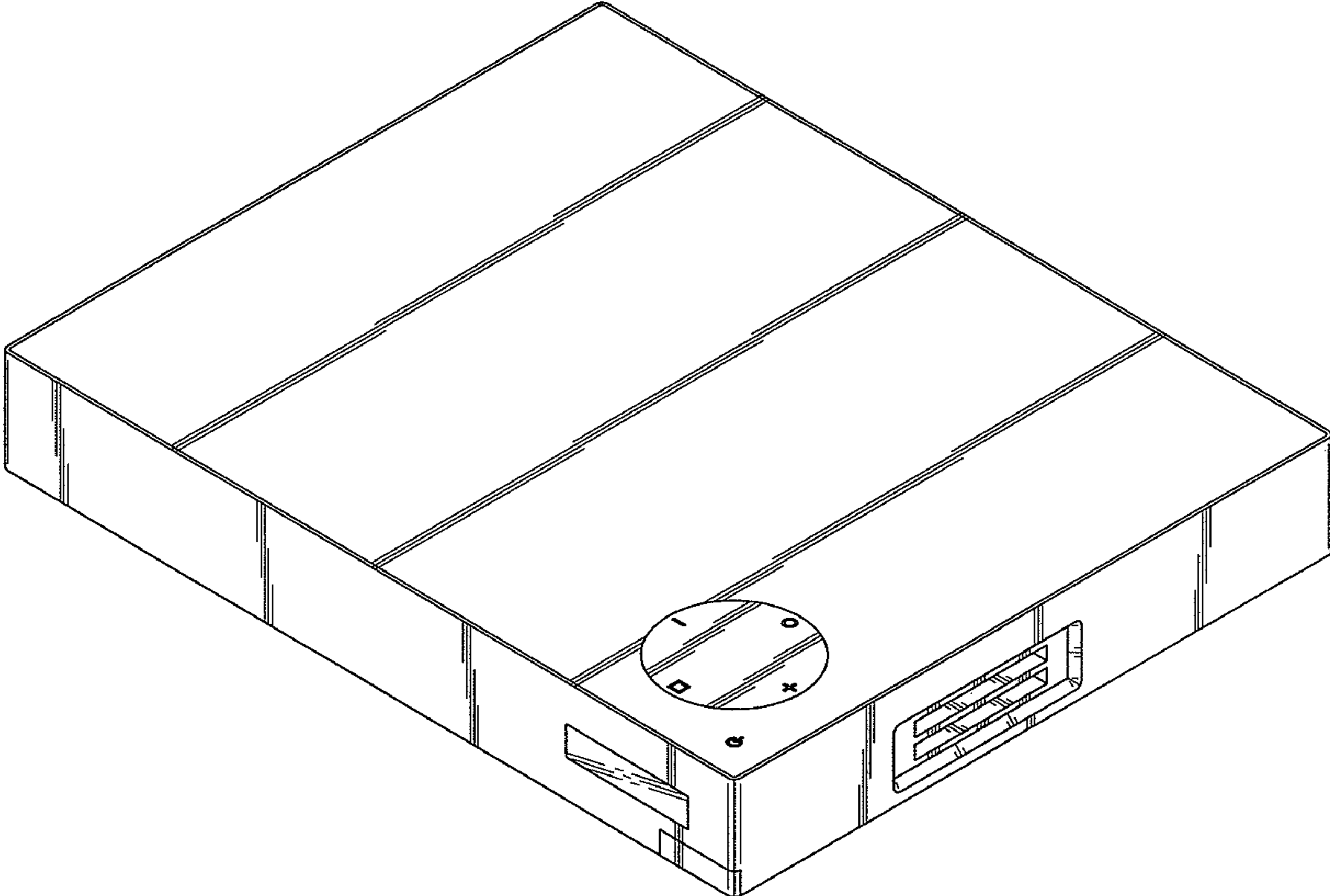


FIG.1

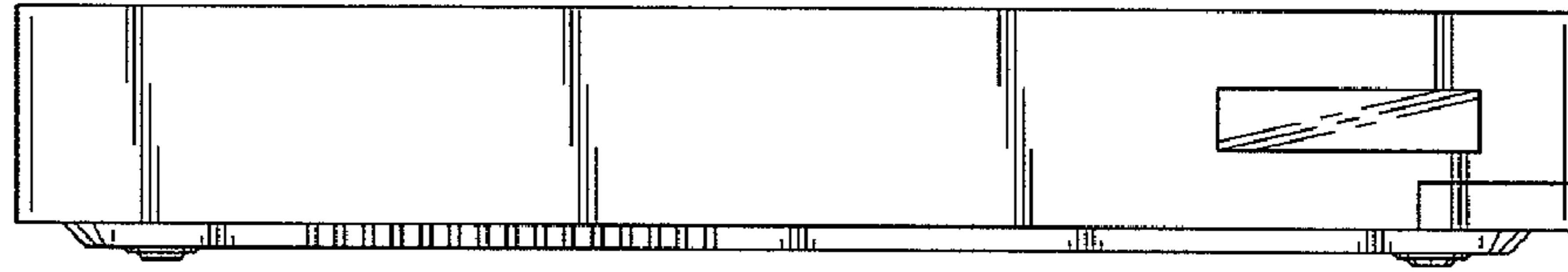


FIG. 2

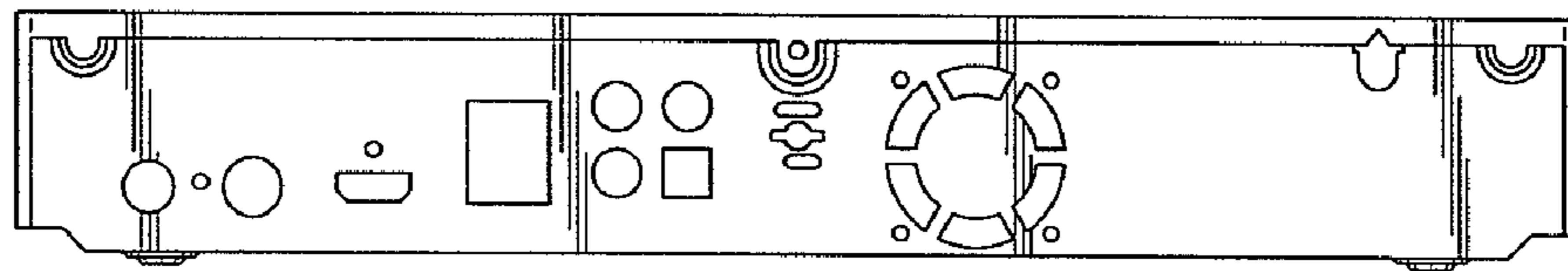


FIG. 3

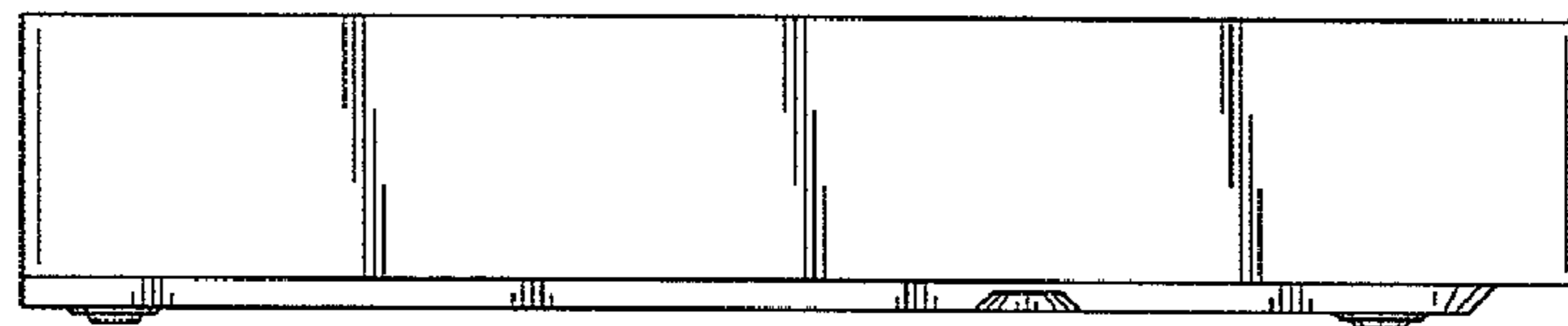


FIG. 4

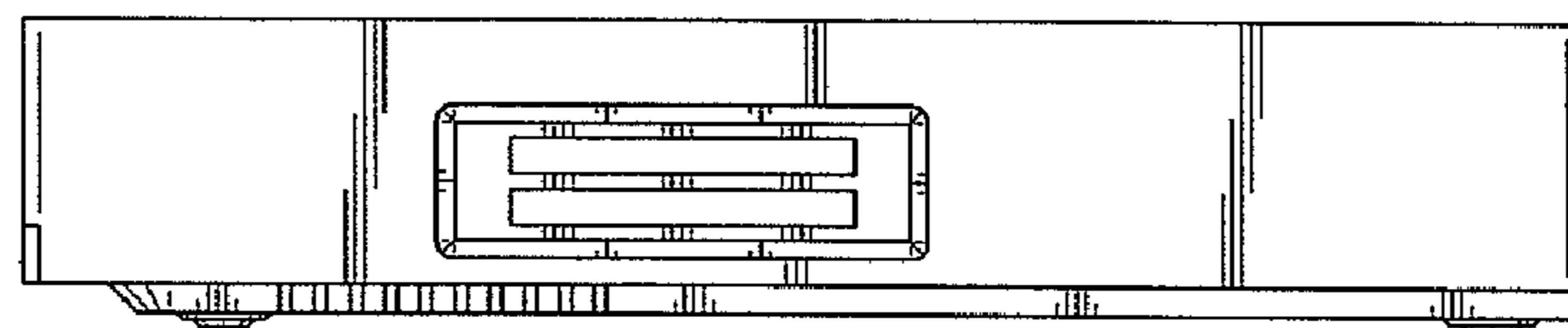


FIG. 5

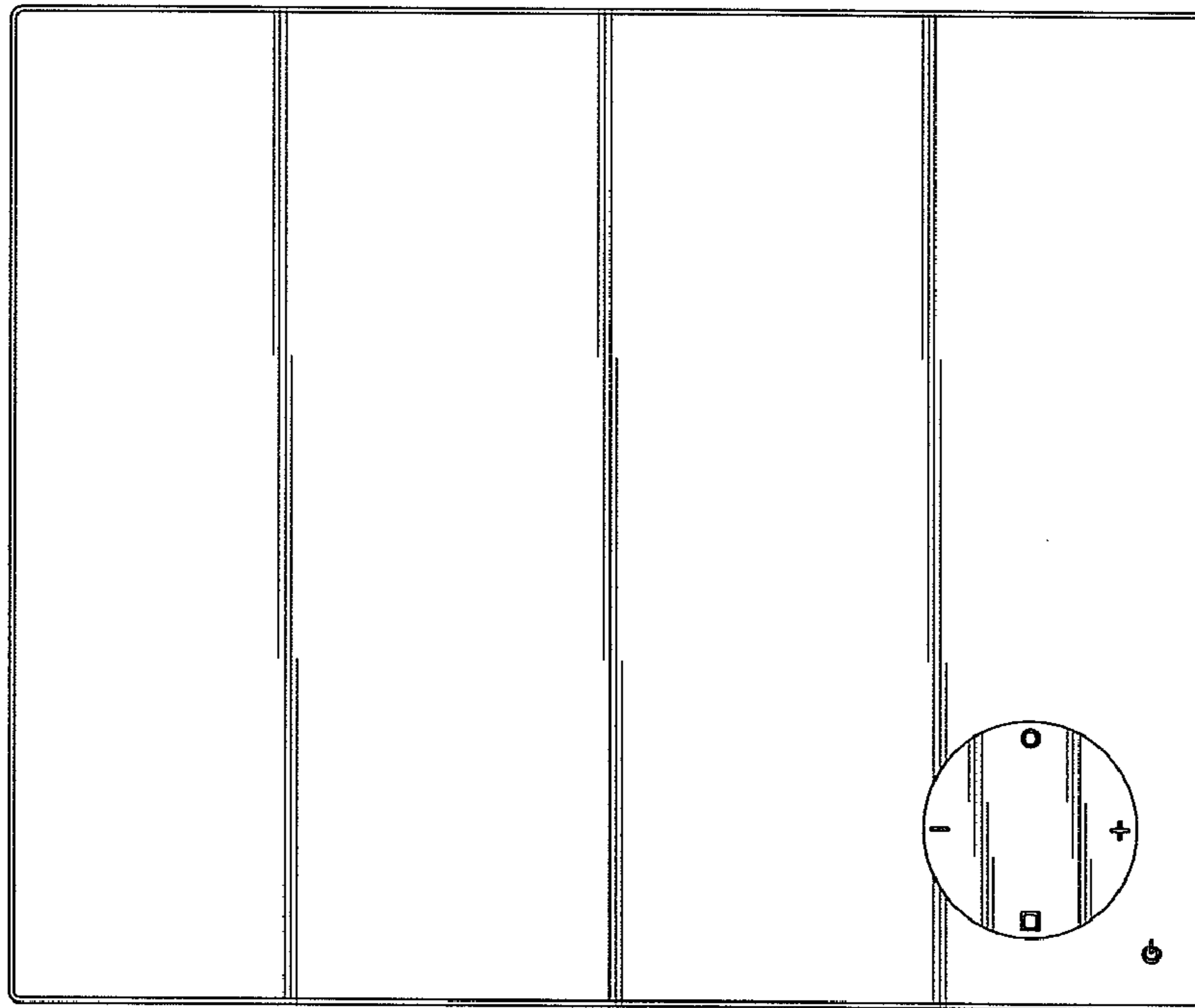


FIG.6

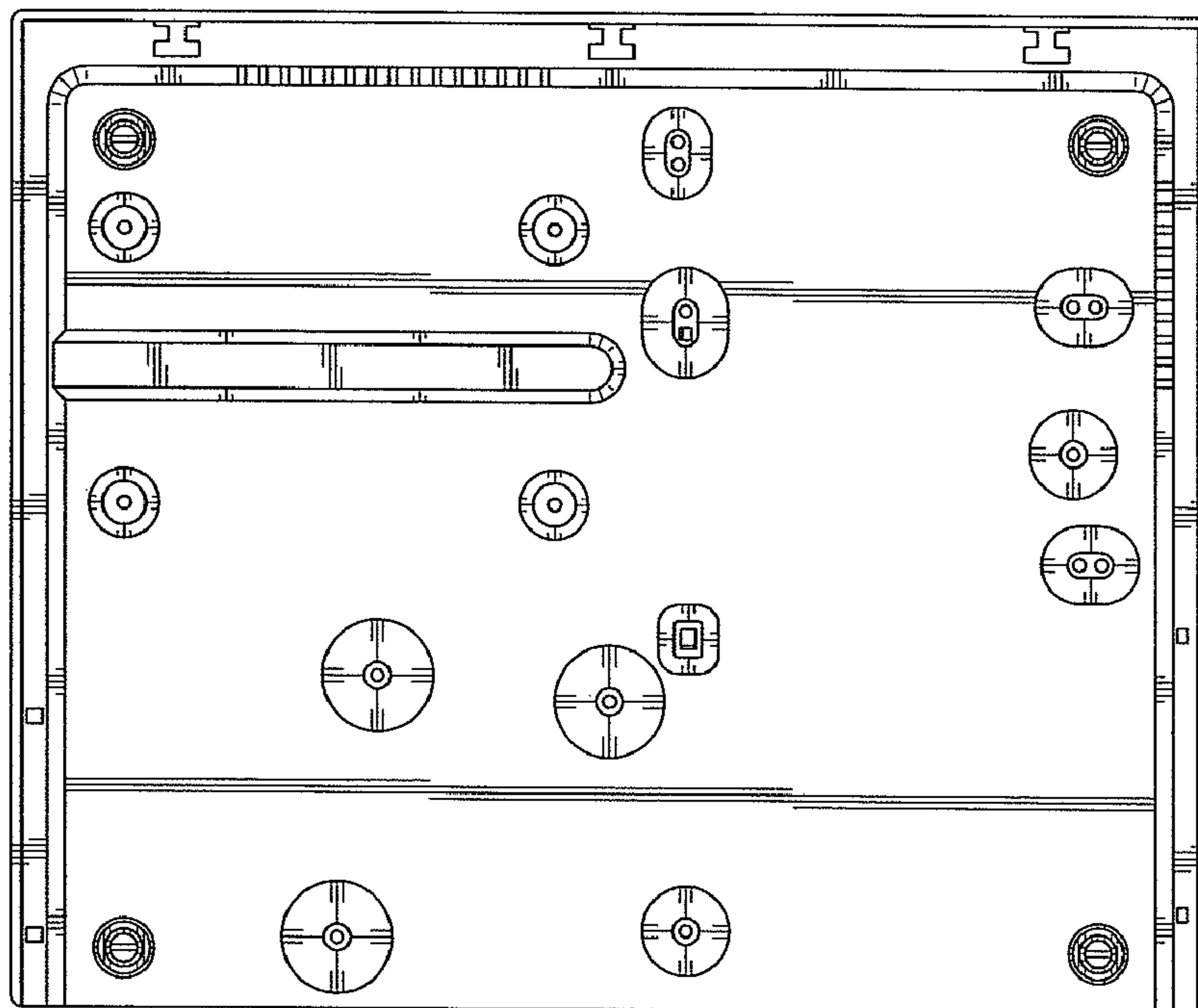


FIG.7