



US00D662899S

(12) **United States Design Patent**
Shum et al.

(10) **Patent No.:** **US D662,899 S**

(45) **Date of Patent:** **** Jul. 3, 2012**

(54) **HEATSINK**

(75) Inventors: **Frank Shum**, Sunnyvale, CA (US);
Clifford Jue, Santa Cruz, CA (US)

(73) Assignee: **Soraa, Inc.**, Fremont, CA (US)

(**) Term: **14 Years**

(21) Appl. No.: **29/399,523**

(22) Filed: **Aug. 15, 2011**

(51) **LOC (9) Cl.** **13-03**

(52) **U.S. Cl.** **D13/179**

(58) **Field of Classification Search** D13/179;
D26/2; 165/80.3, 104.26, 104.33, 122, 151,
165/185; 257/706, 707, 718-722; 313/46;
315/52; 361/695, 697, 700, 702, 704, 709,
361/710, 711, 719

See application file for complete search history.

(56) **References Cited**

U.S. PATENT DOCUMENTS

D471,881 S *	3/2003	Hegde	D13/179
D545,457 S *	6/2007	Chen	D26/2
D581,583 S *	11/2008	Peng	D26/135
D592,613 S *	5/2009	Plonski et al.	D13/179
7,637,635 B2 *	12/2009	Xiao et al.	362/294
7,674,015 B2 *	3/2010	Chien	362/294
D618,634 S *	6/2010	Lin et al.	D13/179

7,744,259 B2 *	6/2010	Walczak et al.	362/421
D619,551 S *	7/2010	Lin et al.	D13/179
7,993,031 B2 *	8/2011	Grajcar	362/294
2005/0174780 A1 *	8/2005	Park	362/294
2010/0091487 A1 *	4/2010	Shin	362/235
2011/0309734 A1 *	12/2011	Lin et al.	313/46

* cited by examiner

Primary Examiner — Selina Sikder

(74) *Attorney, Agent, or Firm* — Kilpatrick Townsend & Stockton LLP

(57) **CLAIM**

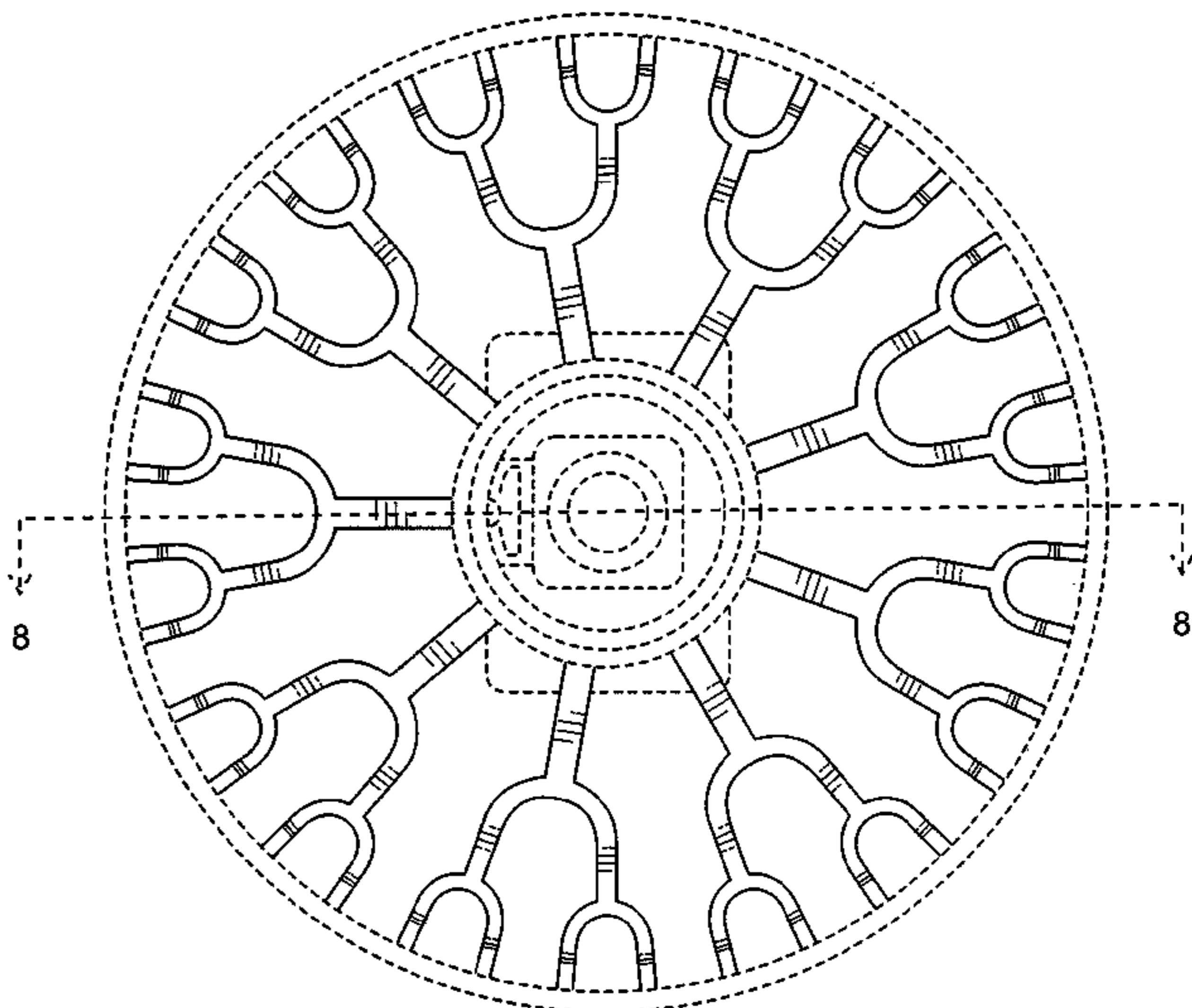
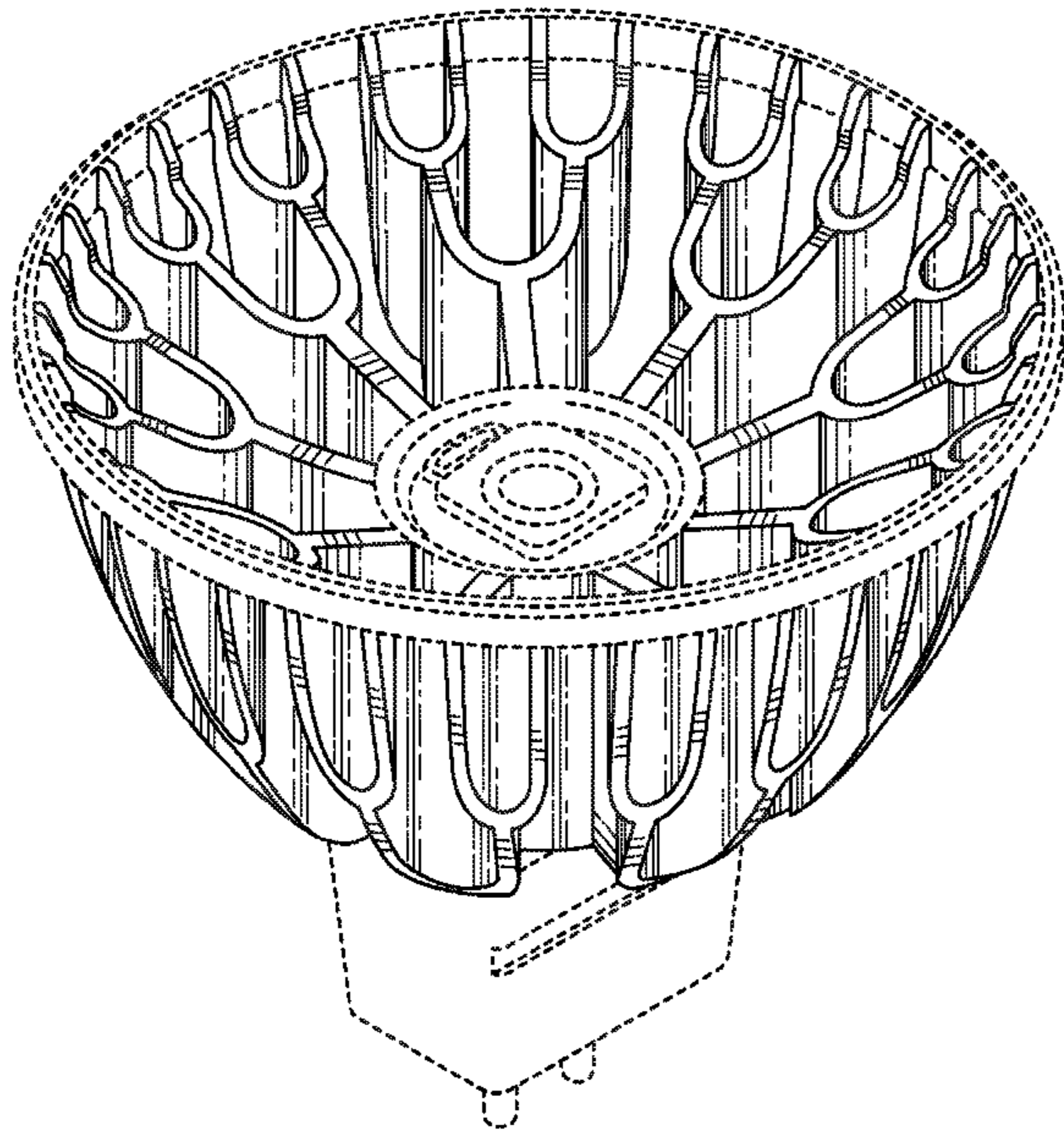
The ornamental design for a heatsink, as shown and described.

DESCRIPTION

FIG. 1 is a perspective view of an embodiment of a heatsink showing our new design;
FIG. 2 is a front view thereof;
FIG. 3 is a rear view thereof;
FIG. 4 is a left side view thereof;
FIG. 5 is a right side view thereof;
FIG. 6 is a top plan view thereof;
FIG. 7 is a bottom plan view thereof; and,
FIG. 8 is a cross-section view taken along line 8-8 in FIG. 6 thereof.

The broken lines in the Figures are for illustrative purposes only and form no part of the claimed design.

1 Claim, 8 Drawing Sheets



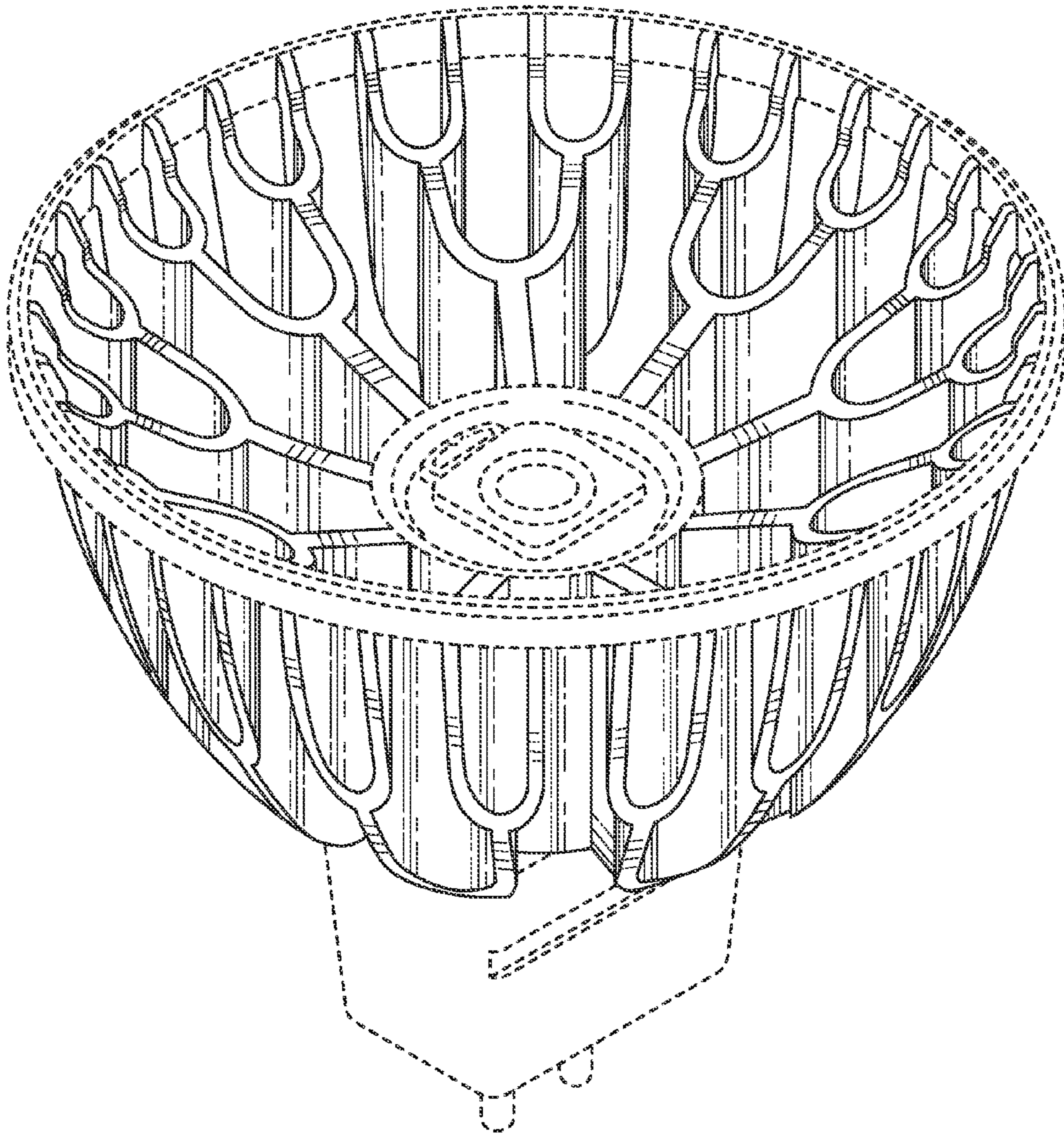


FIG. 1

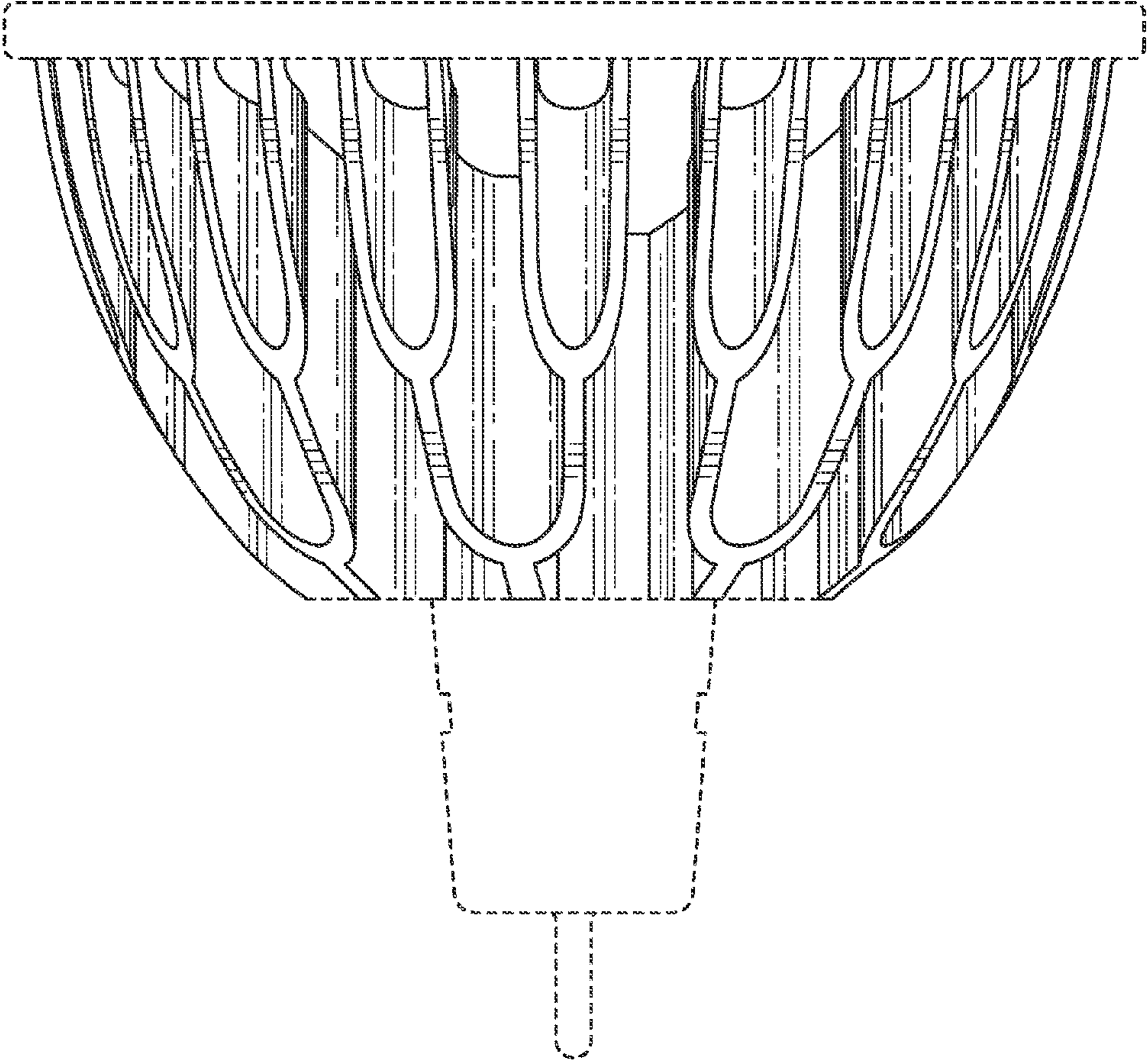


FIG. 2

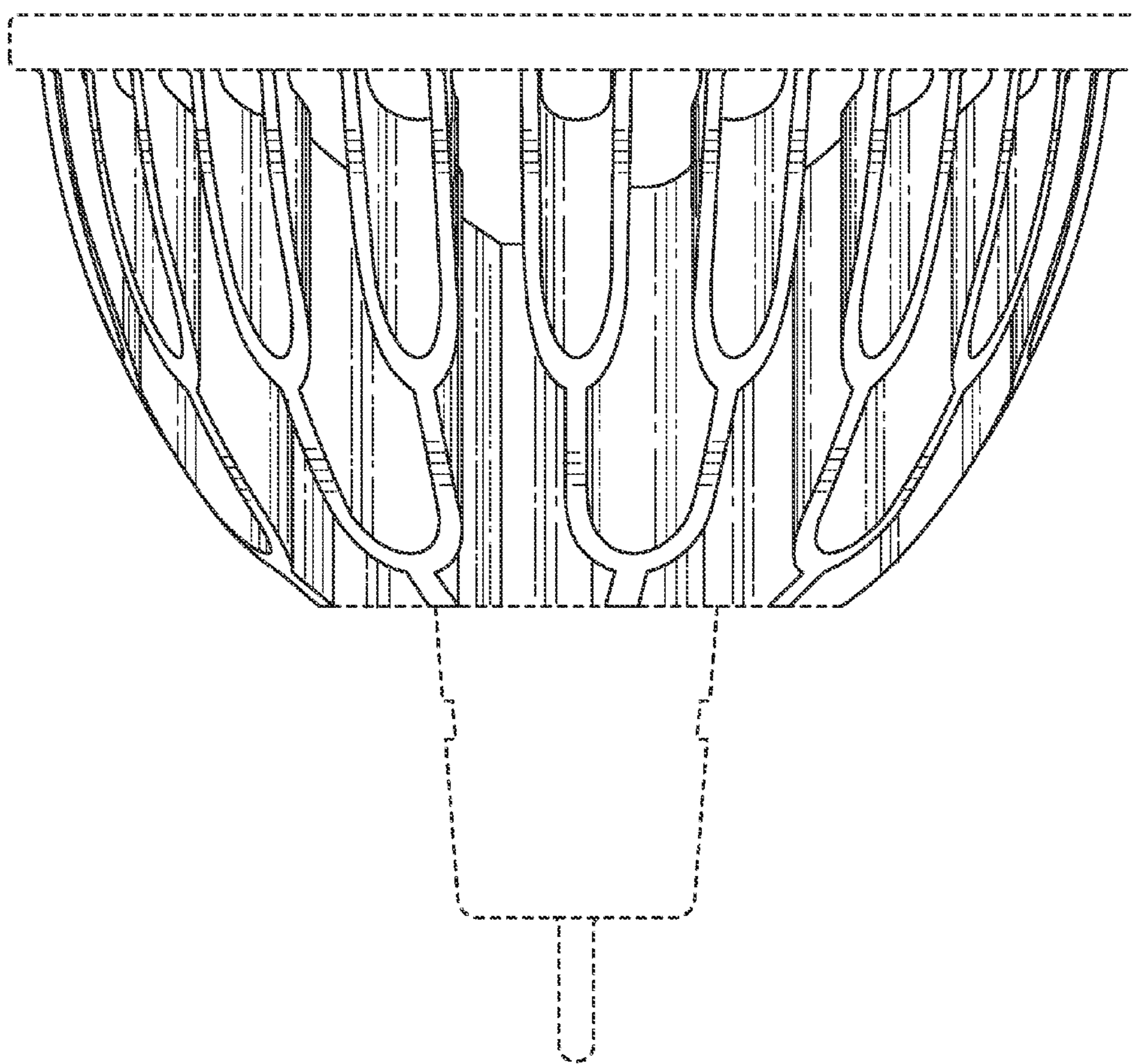


FIG. 3

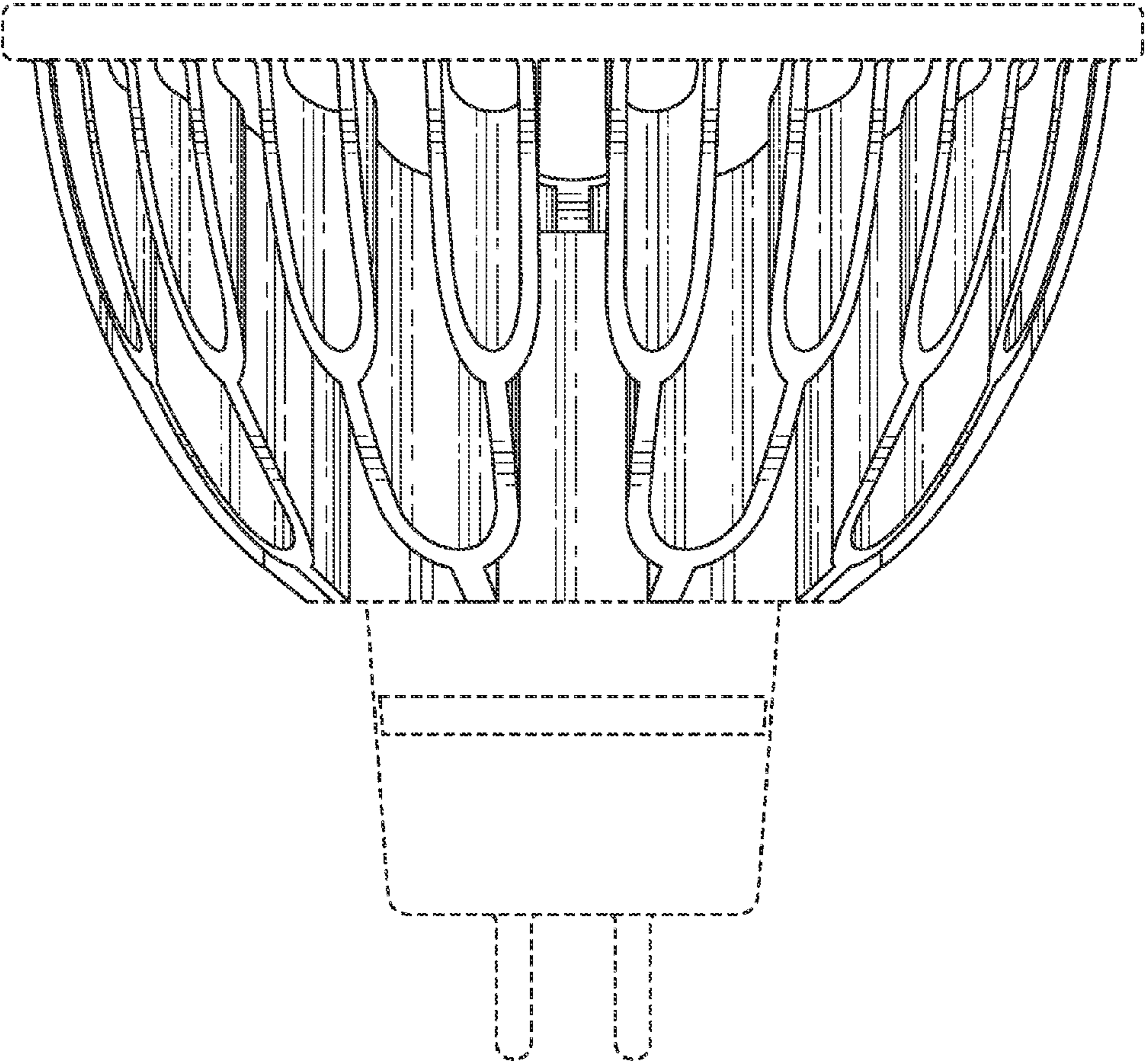


FIG. 4

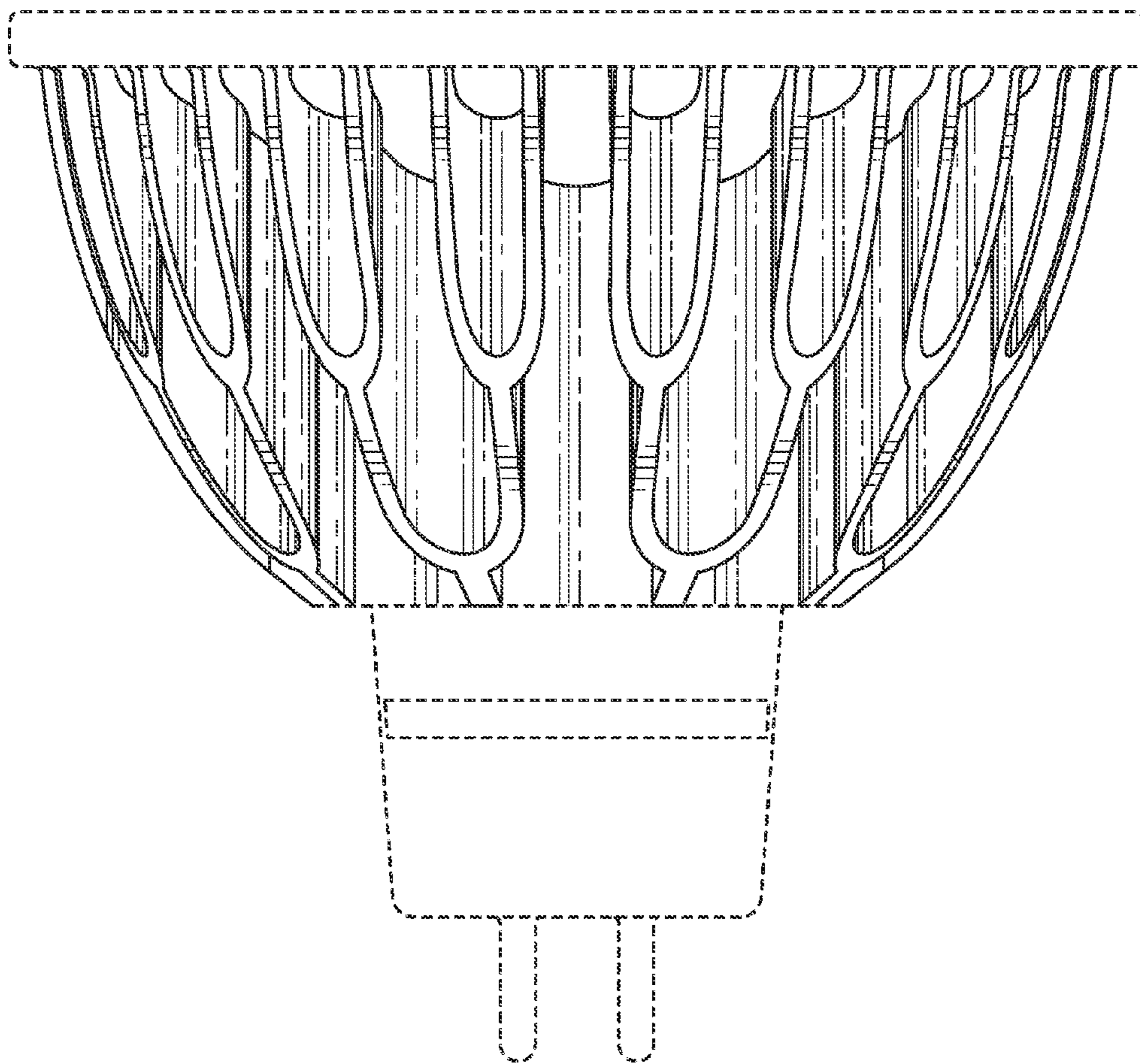


FIG. 5

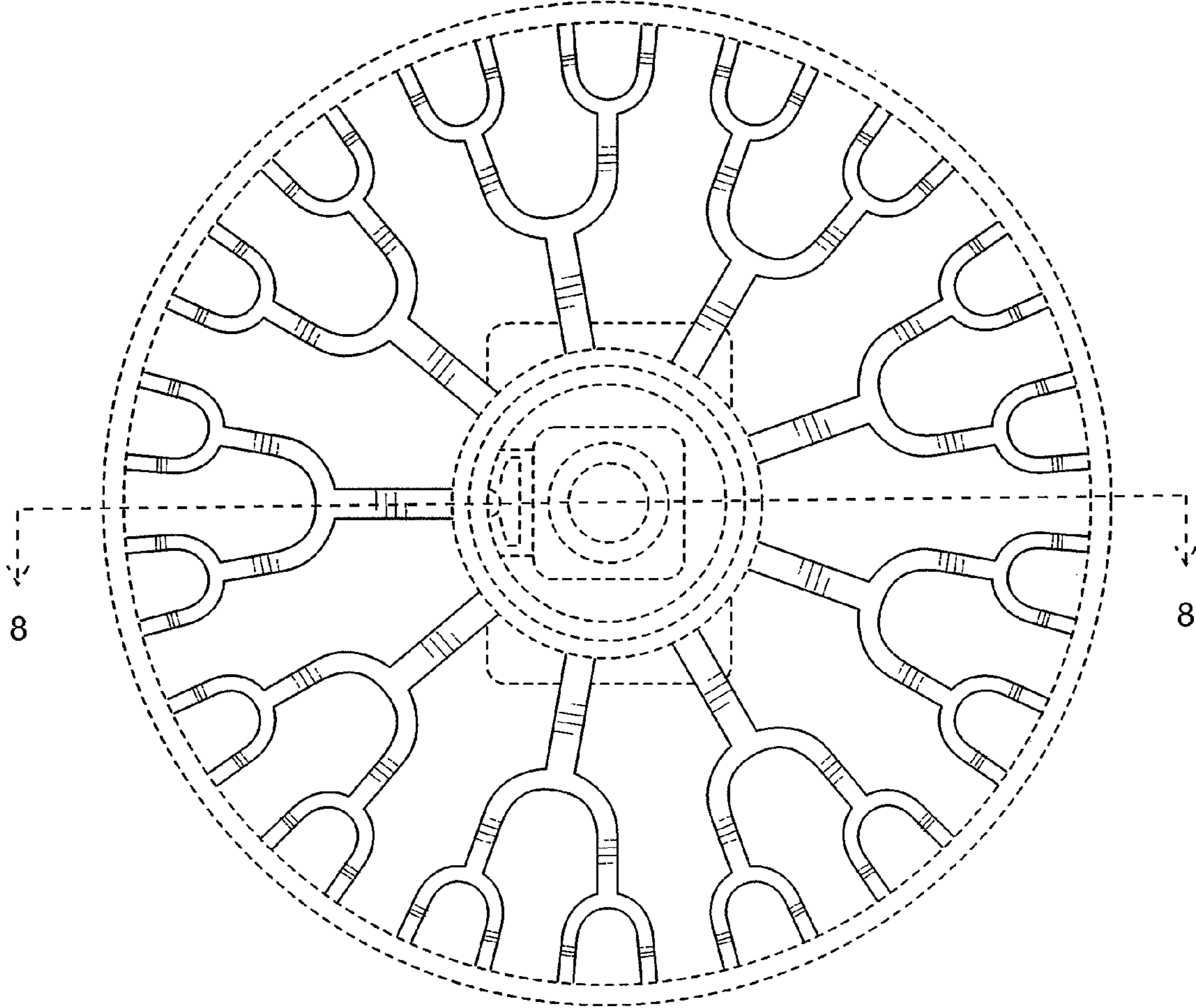


FIG. 6

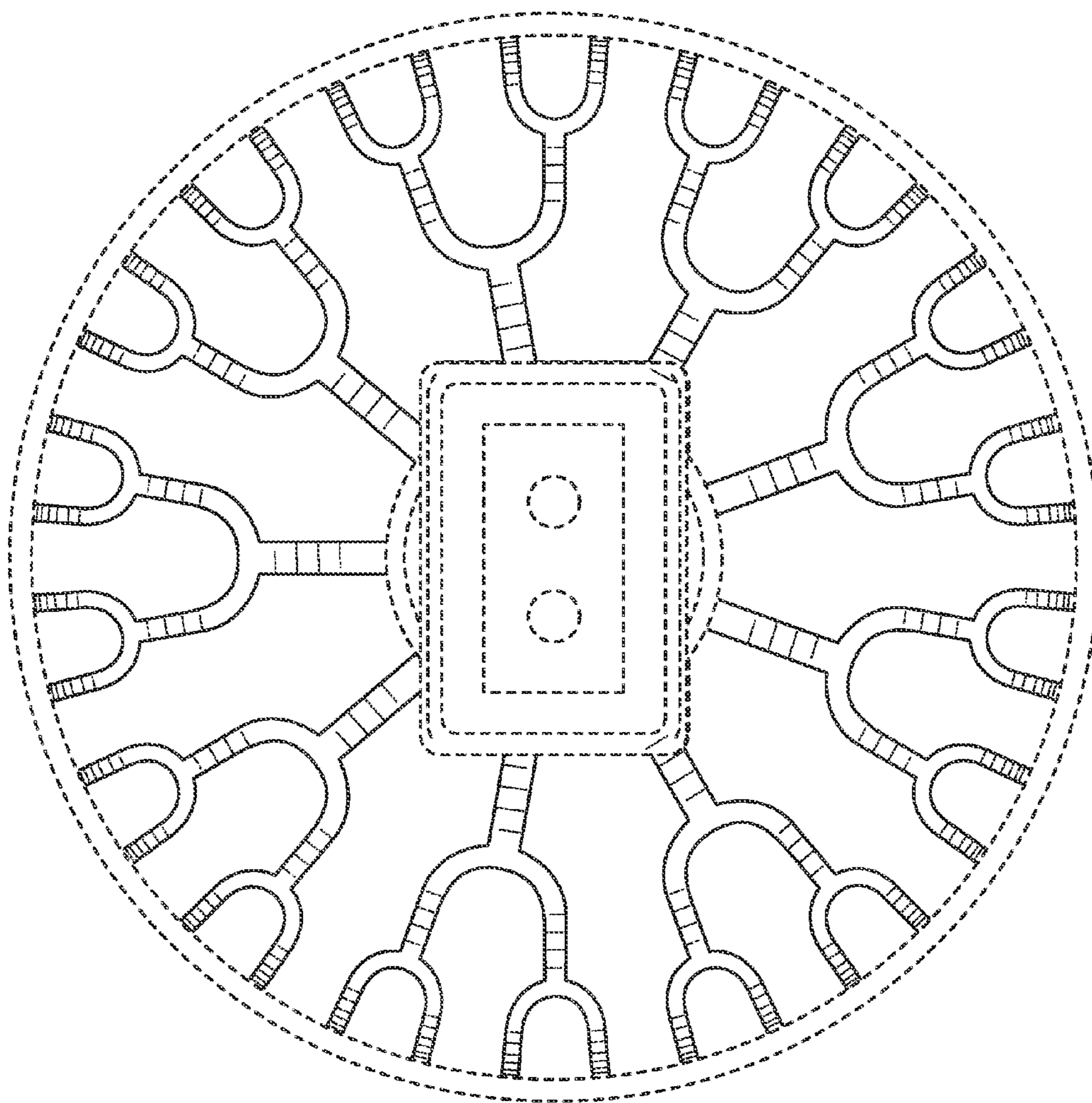


FIG. 7

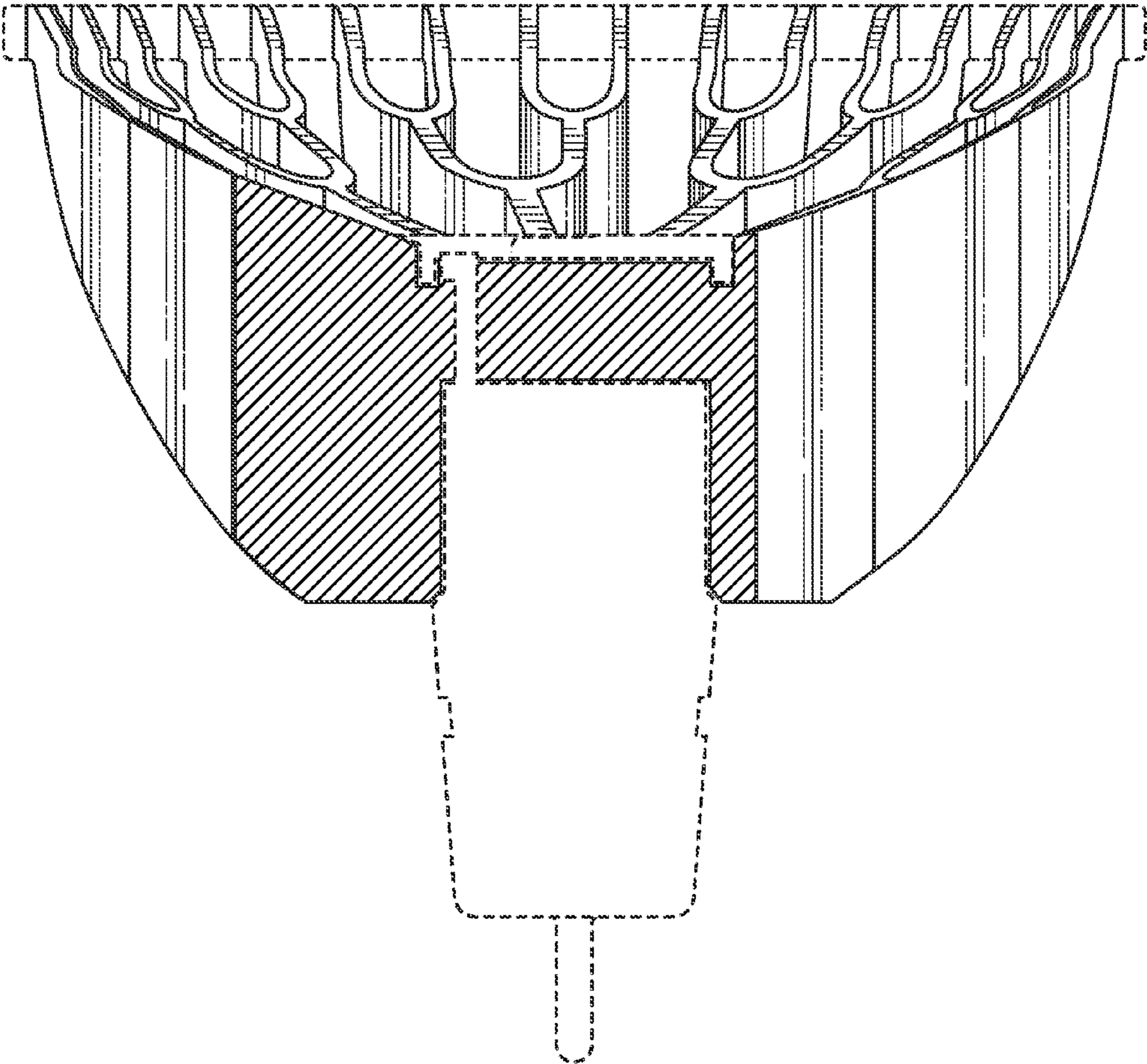


FIG. 8