

US00D662896S

(12) **United States Design Patent**  
**Czarnecki**

(10) **Patent No.:** **US D662,896 S**  
(45) **Date of Patent:** **\*\* Jul. 3, 2012**

(54) **POWER INLET BOX**  
(75) Inventor: **Neil A. Czarnecki**, Mt. Pleasant, WI (US)  
(73) Assignee: **Reliance Controls Corporation**, Racine, WI (US)  
(\*\*) Term: **14 Years**  
(21) Appl. No.: **29/380,471**  
(22) Filed: **Dec. 6, 2010**  
(51) **LOC (9) Cl.** ..... **13-03**  
(52) **U.S. Cl.** ..... **D13/156**  
(58) **Field of Classification Search** ..... D13/156, D13/133, 152, 154, 155, 162, 177, 184, 199; D3/272, 273; D99/29, 32-33; 174/50, 50.52, 174/53, 55, 56, 58, 63, 66, 67, 480; 220/3.2, 220/3.3, 3.8, 3.9; 439/528  
See application file for complete search history.

3,746,936 A 7/1973 Coffey et al.  
3,781,765 A 12/1973 Schleicher  
3,812,281 A 5/1974 Boyer  
3,922,053 A 11/1975 Hafer  
4,058,358 A 11/1977 Carlisle  
4,067,529 A 1/1978 Milcoy  
4,088,829 A 5/1978 Milcoy  
4,138,187 A 2/1979 Brygger  
4,282,954 A 8/1981 Hill  
4,605,817 A 8/1986 Lopez  
4,669,281 A 6/1987 Young  
4,797,507 A 1/1989 Lofving  
4,857,004 A 8/1989 Poirier  
5,070,252 A 12/1991 Castenschiold et al.  
5,078,614 A 1/1992 Shotey  
5,107,075 A 4/1992 Currier, Jr.  
5,174,773 A 12/1992 Jones  
5,264,662 A 11/1993 Kennedy  
5,265,511 A 11/1993 Itzov  
5,268,850 A 12/1993 Skoglund  
D354,828 S \* 1/1995 Willis et al. .... D99/33  
5,402,323 A 3/1995 Schwenk et al.  
5,527,993 A 6/1996 Shotey et al.  
(Continued)

(56) **References Cited**

**U.S. PATENT DOCUMENTS**

1,131,667 A 3/1915 Bommer  
1,938,309 A 12/1933 Williams  
2,856,470 A 10/1958 Hyde  
2,908,743 A 10/1959 Premoshis  
3,277,251 A 10/1966 Daly  
3,284,591 A 11/1966 Daly  
3,286,051 A 11/1966 Mackiewicz  
3,315,556 A 4/1967 Speck  
3,361,938 A 1/1968 Watson  
3,391,374 A 7/1968 Schleicher  
3,523,166 A 8/1970 Daly  
3,559,148 A 1/1971 Hafer  
3,585,456 A 6/1971 Phillips, Jr.  
3,636,237 A 1/1972 Hafer  
3,654,484 A 4/1972 Jorgenson  
3,716,683 A 2/1973 Hafer  
3,723,942 A 3/1973 Dennison  
3,731,256 A 5/1973 Hafer  
3,739,321 A 6/1973 Murphy et al.  
3,742,431 A 6/1973 Kobryner

*Primary Examiner* — Derrick Holland

(74) *Attorney, Agent, or Firm* — Boyle Fredrickson, S.C.

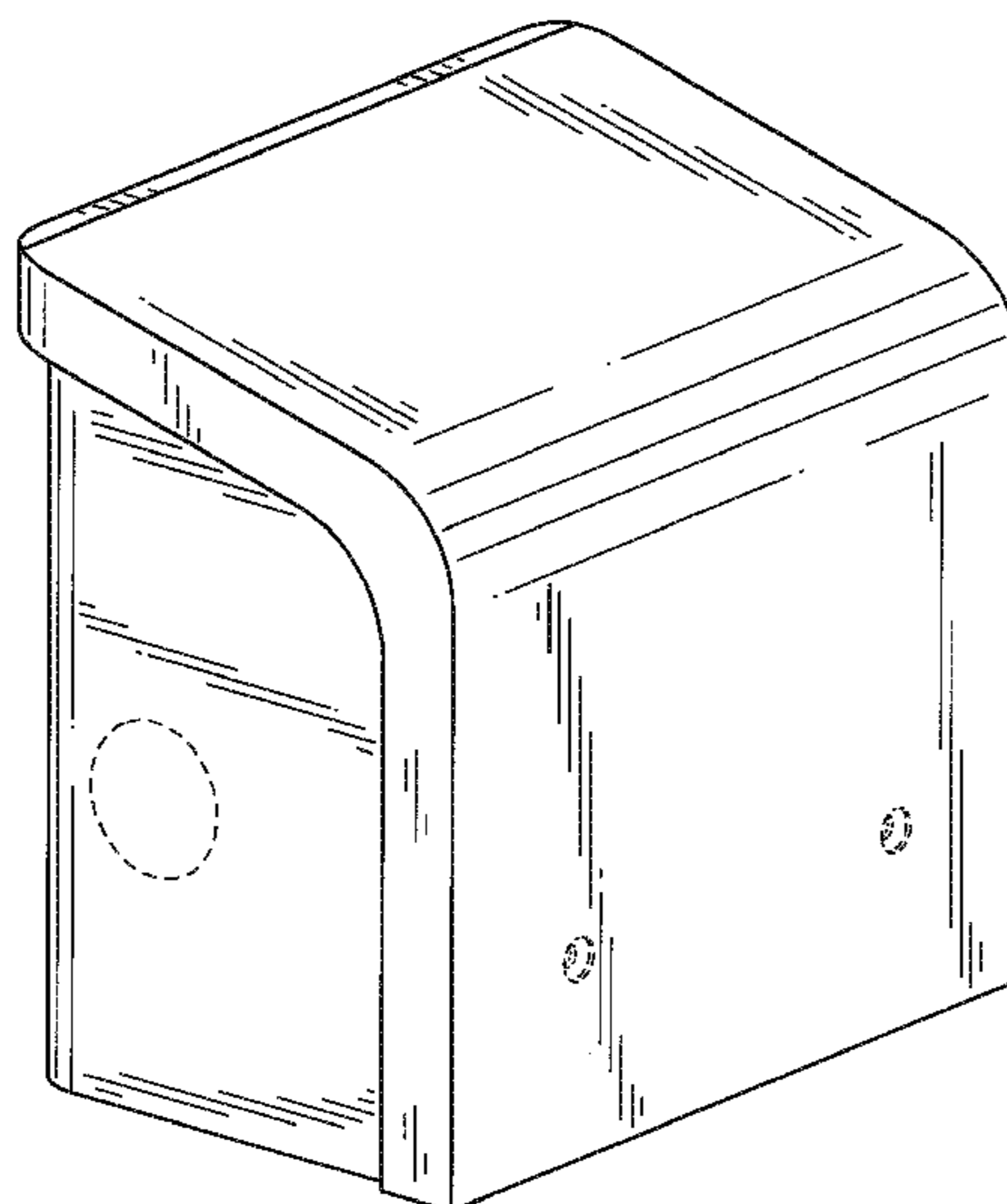
(57) **CLAIM**

The ornamental design of a power inlet box, as shown and described.

**DESCRIPTION**

FIG. 1 is an isometric view of a power inlet box showing my new design;  
FIG. 2 is a front elevation view thereof;  
FIG. 3 is a right side elevation view thereof, the left side elevation view being a mirror image;  
FIG. 4 is a rear elevation view thereof;  
FIG. 5 is a top plan view thereof; and,  
FIG. 6 is a bottom plan view thereof.  
The broken lines shown represent unclaimed subject matter and form no part of the claimed design.

**1 Claim, 4 Drawing Sheets**



# US D662,896 S

Page 2

---

## U.S. PATENT DOCUMENTS

5,579,201	A	11/1996	Karageozian	6,448,515	B1	9/2002	Rohmer et al.
5,590,440	A	1/1997	Pelt et al.	6,674,031	B1	1/2004	Flegel
D379,970	S *	6/1997	Chambers et al. ....	D529,447	S *	10/2006	Greenfield ..... D13/156
5,717,164	A	2/1998	Shetterly	D531,961	S *	11/2006	Greenfield ..... D13/156
5,773,757	A	6/1998	Kenney et al.	D560,170	S *	1/2008	Ni ..... D13/152
5,984,719	A	11/1999	Flegel	D566,657	S *	4/2008	Shen et al. .... D13/152
6,028,268	A	2/2000	Stark et al.	D573,105	S *	7/2008	Richey ..... D13/156
6,062,914	A	5/2000	Fasano	7,554,034	B2	6/2009	Smith
6,148,480	A	11/2000	Cooke	7,619,163	B1 *	11/2009	Shotey et al. .... 174/67
6,184,461	B1	2/2001	Flegel	D605,139	S *	12/2009	Moore ..... D13/156
6,276,027	B1	8/2001	Hanna	2007/0235206	A1	10/2007	Dinh

\* cited by examiner

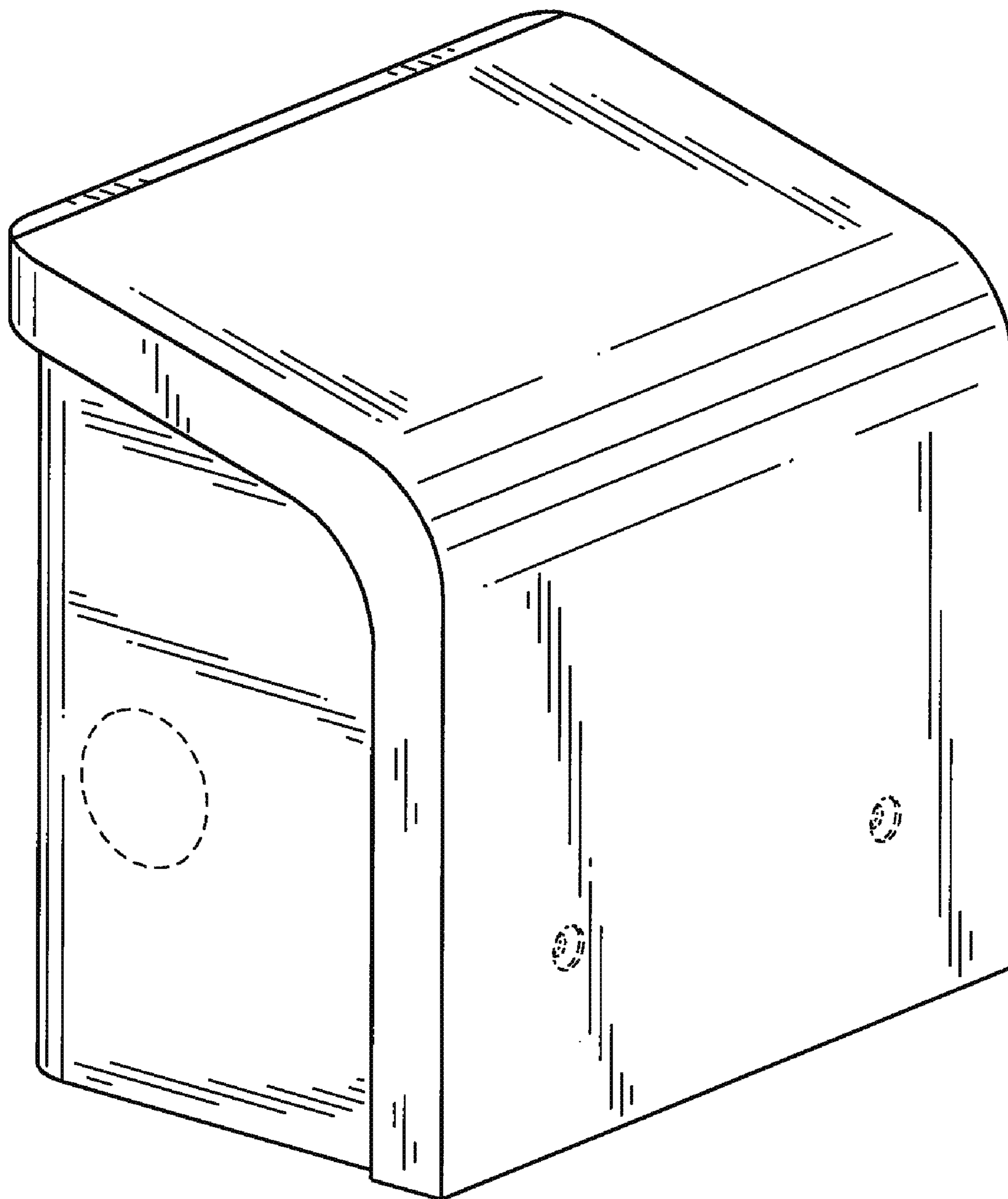


FIG. 1

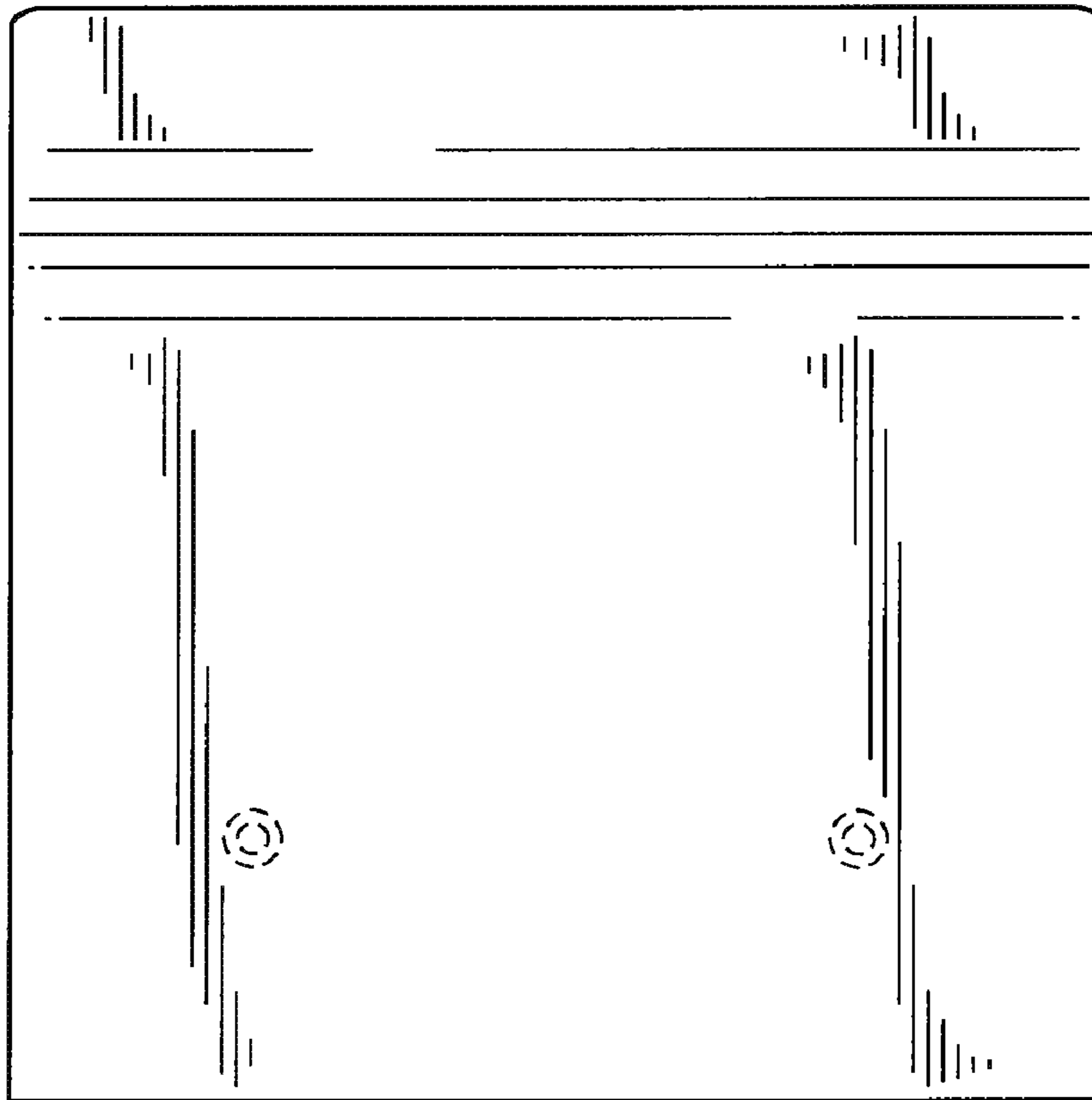


FIG. 2

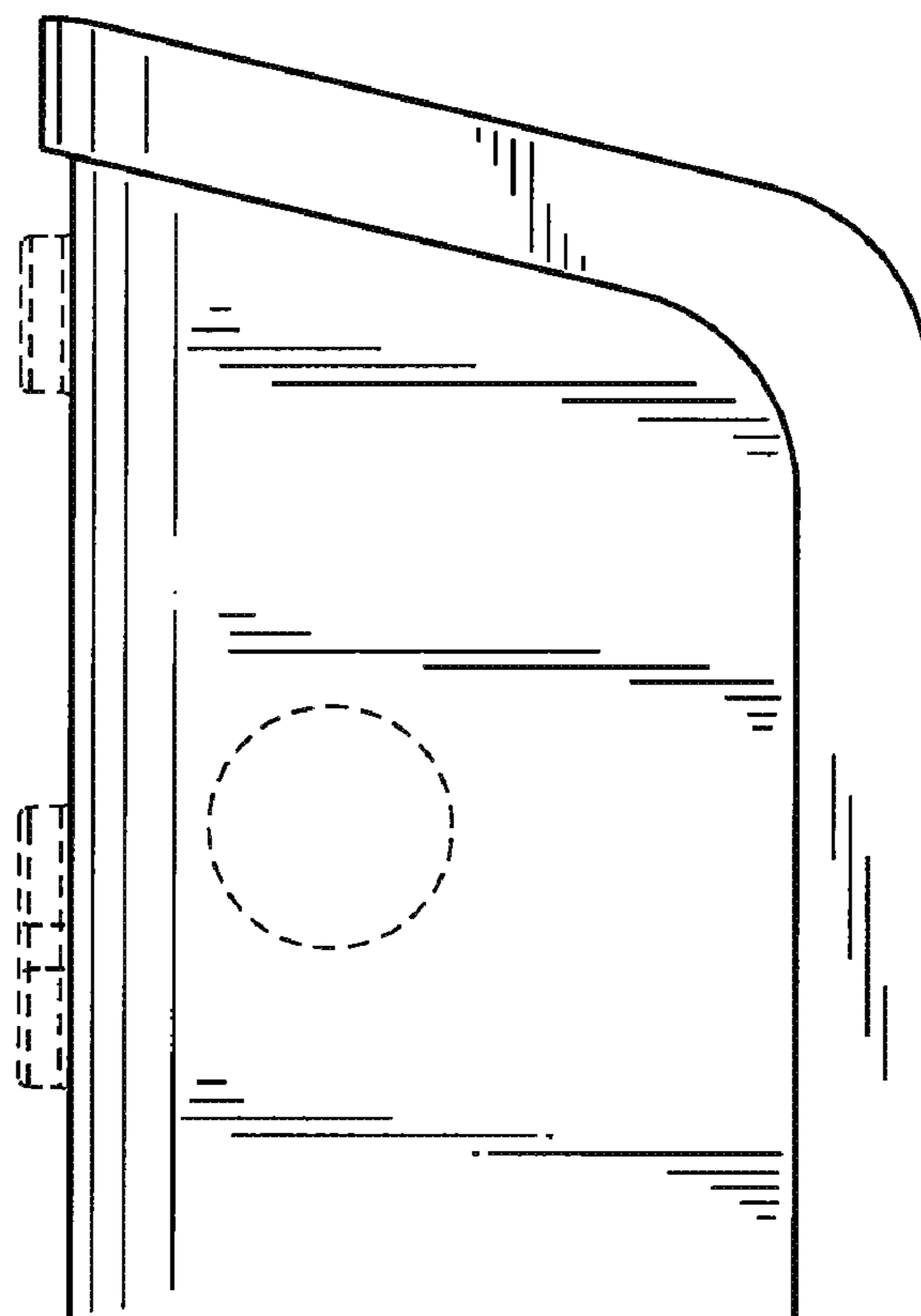


FIG. 3

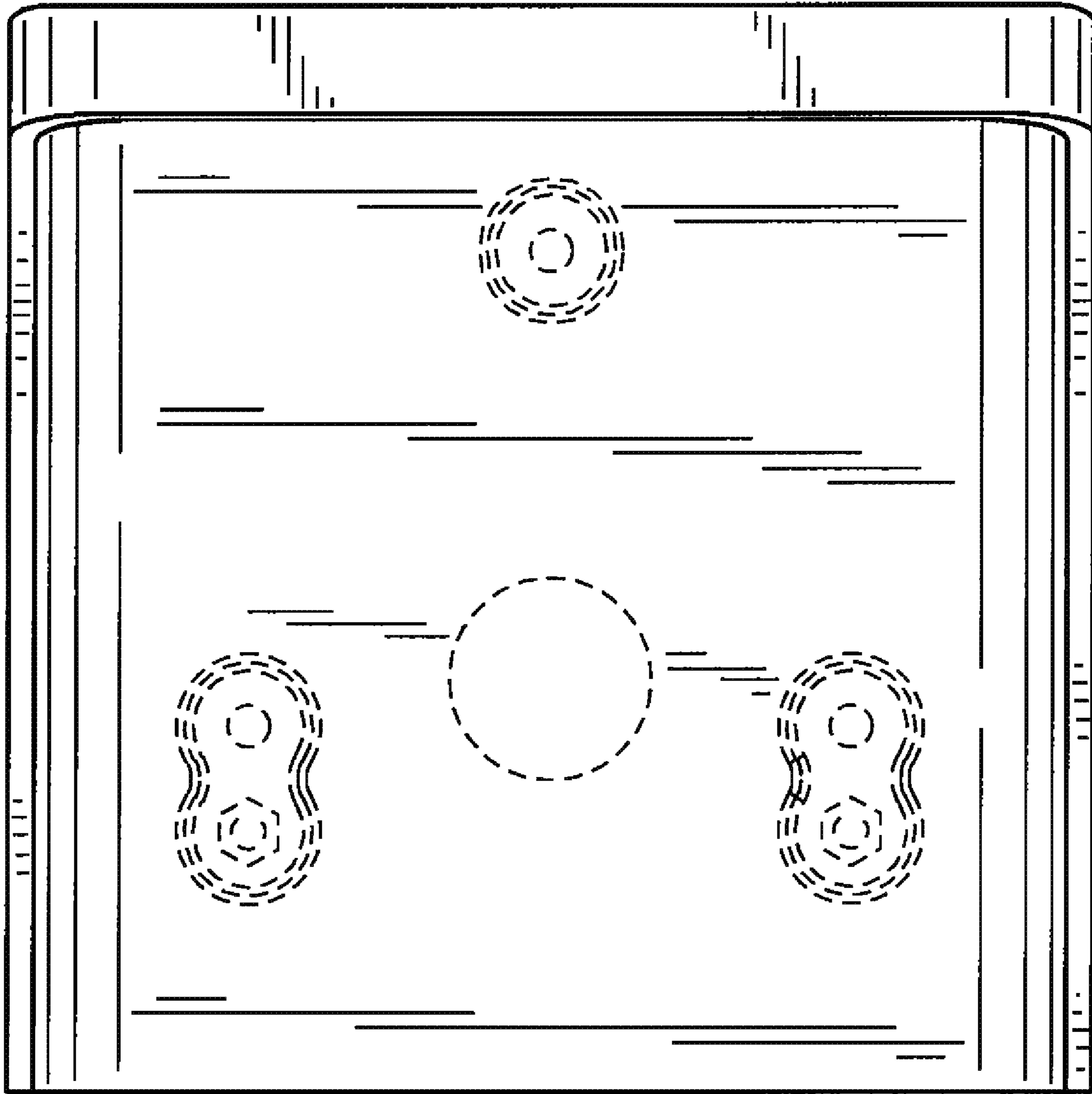


FIG. 4

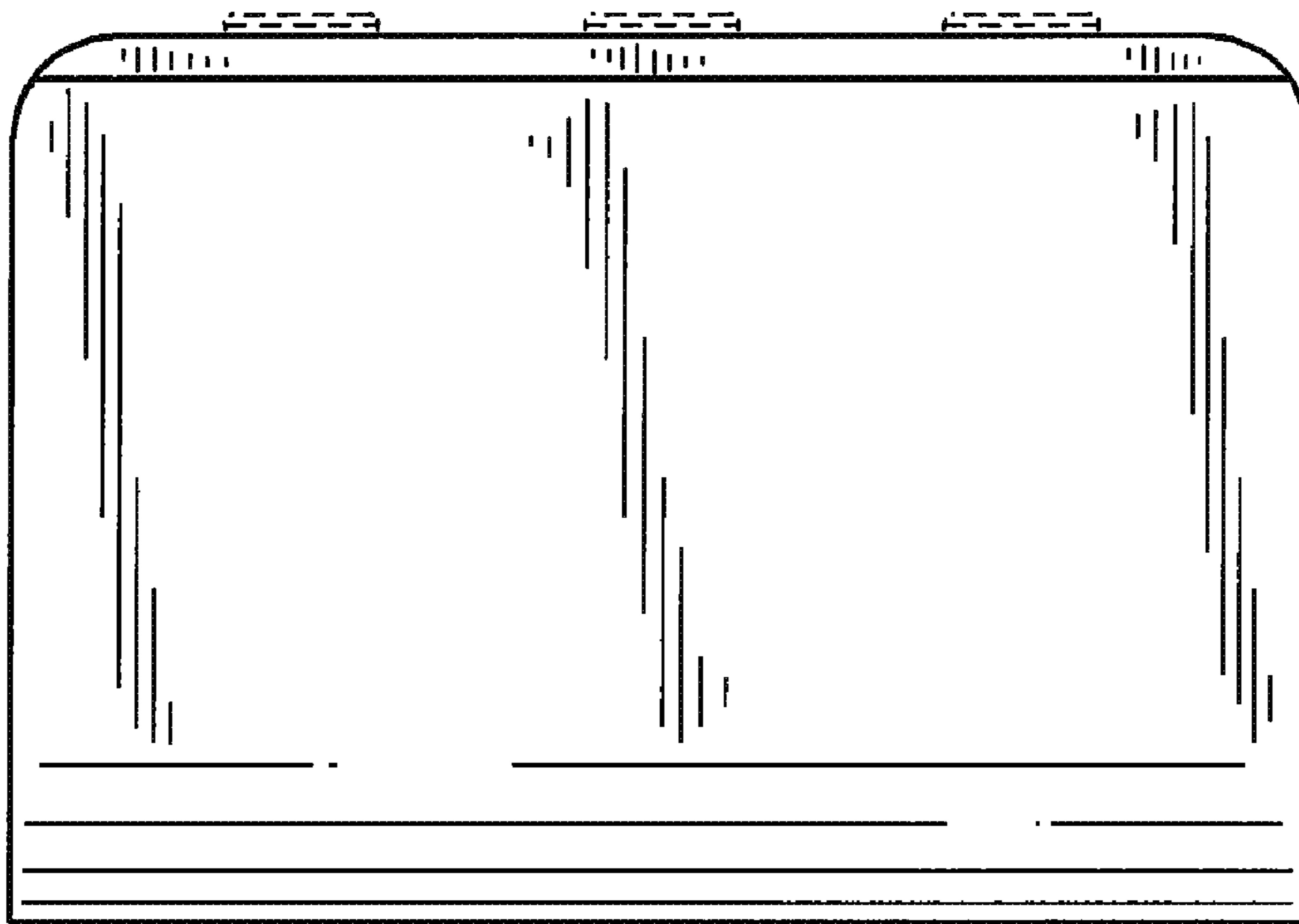


FIG. 5

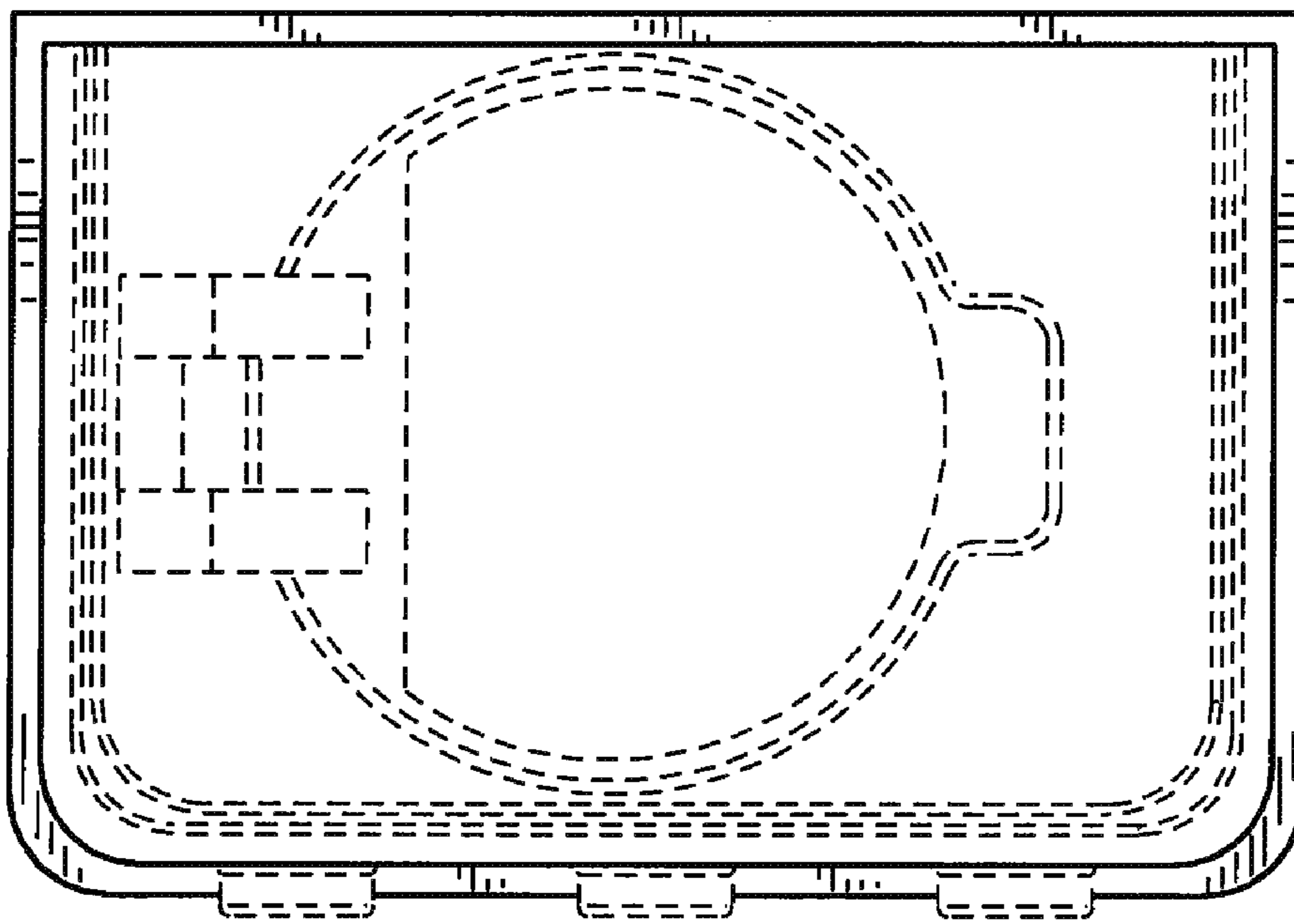


FIG. 6