



US00D662893S

(12) **United States Design Patent**
Haberek et al.

(10) **Patent No.:** **US D662,893 S**

(45) **Date of Patent:** **** Jul. 3, 2012**

(54) **OPEN COMPRESSION-TYPE COAXIAL
CABLE CONNECTOR**

(75) Inventors: **Andrew Haberek**, Baldwinsville, NY
(US); **Noah Montena**, Syracuse, NY
(US); **Eric Purdy**, Constantia, NY (US);
Raymond Palinkas, Canastota, NY (US)

(73) Assignee: **John Mezzalingua Associates, Inc.**,
East Syracuse, NY (US)

(**) Term: **14 Years**

(21) Appl. No.: **29/389,063**

(22) Filed: **Apr. 6, 2011**

(51) **LOC (9) Cl.** **13-03**

(52) **U.S. Cl.** **D13/151**

(58) **Field of Classification Search** D13/133,
D13/149, 151, 154, 184, 199; 439/13, 20,
439/22, 133, 135, 246, 306, 321, 322, 480,
439/476.1, 578, 583, 584, 585, 668, 805

See application file for complete search history.

(56) **References Cited**

U.S. PATENT DOCUMENTS

D475,976 S * 6/2003 Montena D13/151
D504,402 S * 4/2005 Montena D13/154

D504,664 S * 5/2005 Montena D13/154
D610,998 S * 3/2010 Purdy et al. D13/151
D623,599 S * 9/2010 Purdy et al. D13/151
D626,920 S * 11/2010 Purdy et al. D13/151

* cited by examiner

Primary Examiner — Thomas Johannes

(74) *Attorney, Agent, or Firm* — Stephen R. Yoder, Esq.

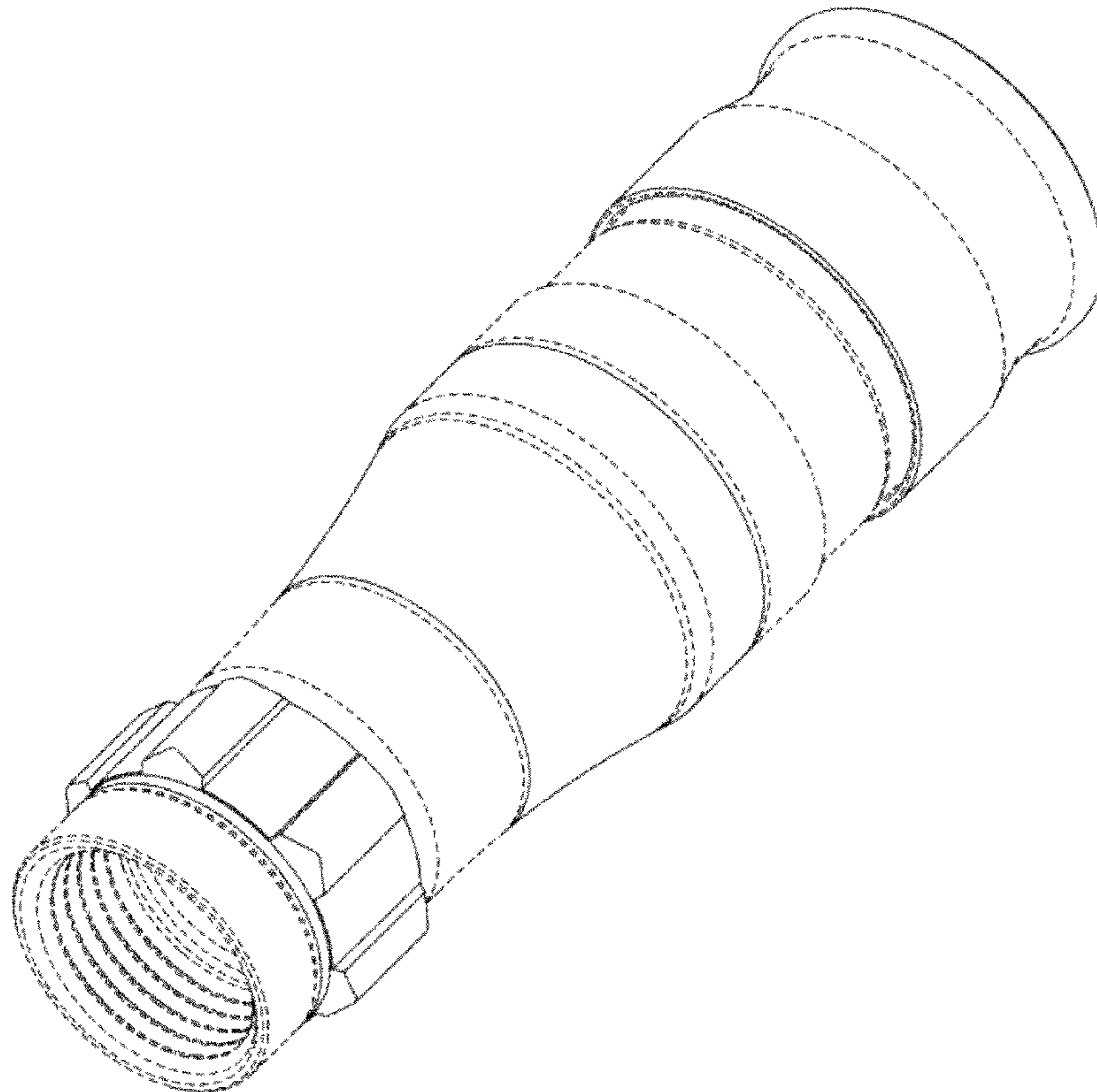
(57) **CLAIM**

The ornamental design for an open compression-type coaxial cable connector, as shown and described.

DESCRIPTION

FIG. 1 is a front perspective view of an open compression-type coaxial cable connector showing our new design; FIG. 2 is a back perspective view thereof; FIG. 3 is a top plan view thereof, the bottom plan view being a mirror image thereto; FIG. 4 is a left side elevation view thereof, the right side elevation view being a mirror image thereto; FIG. 5 is an enlarged front elevation view thereof; and, FIG. 6 is an enlarged back elevation view thereof. The broken line portion of the figure drawings is included for the purpose of illustrating environment and forms no part of the claimed design.

1 Claim, 6 Drawing Sheets



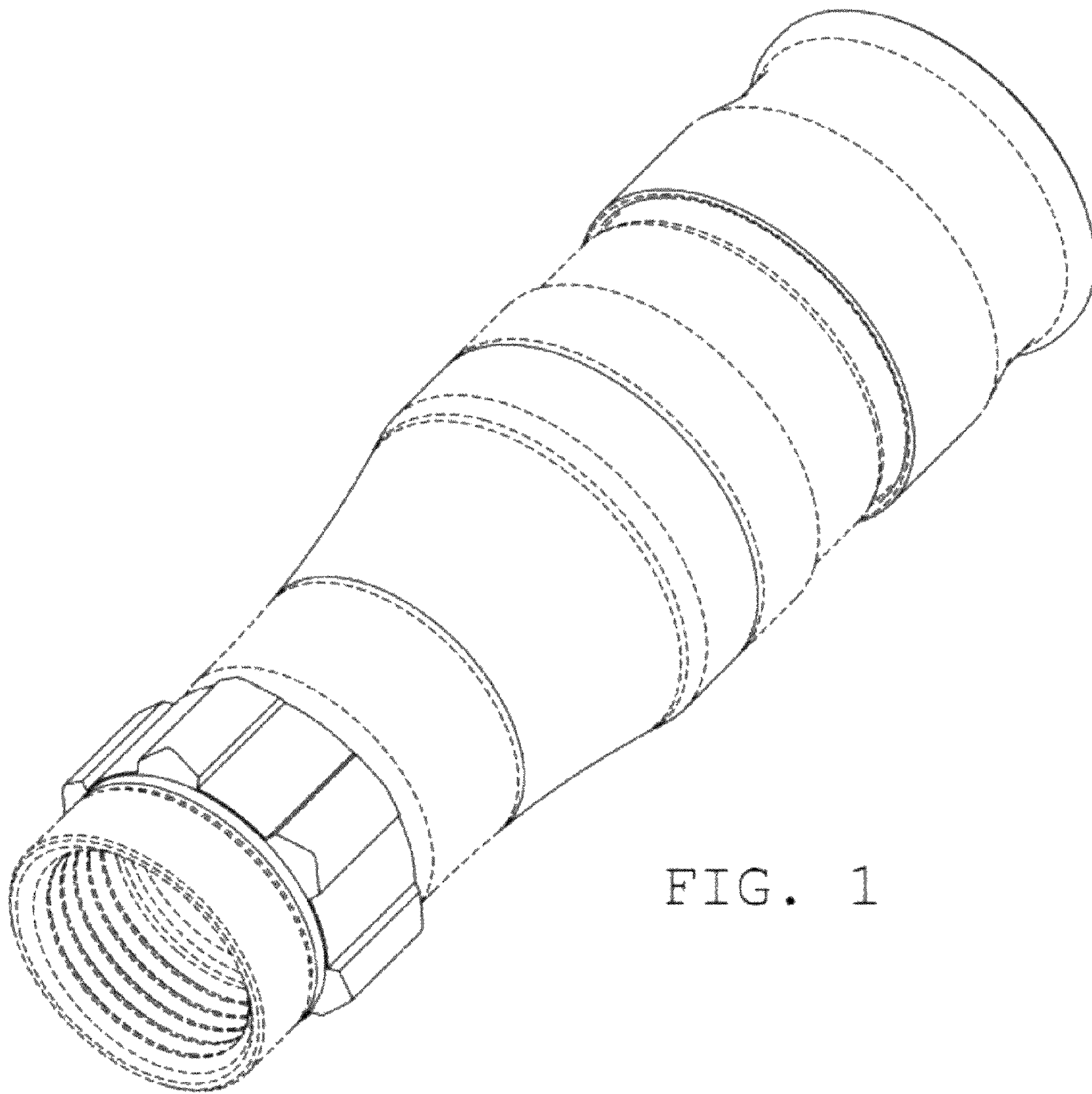


FIG. 1

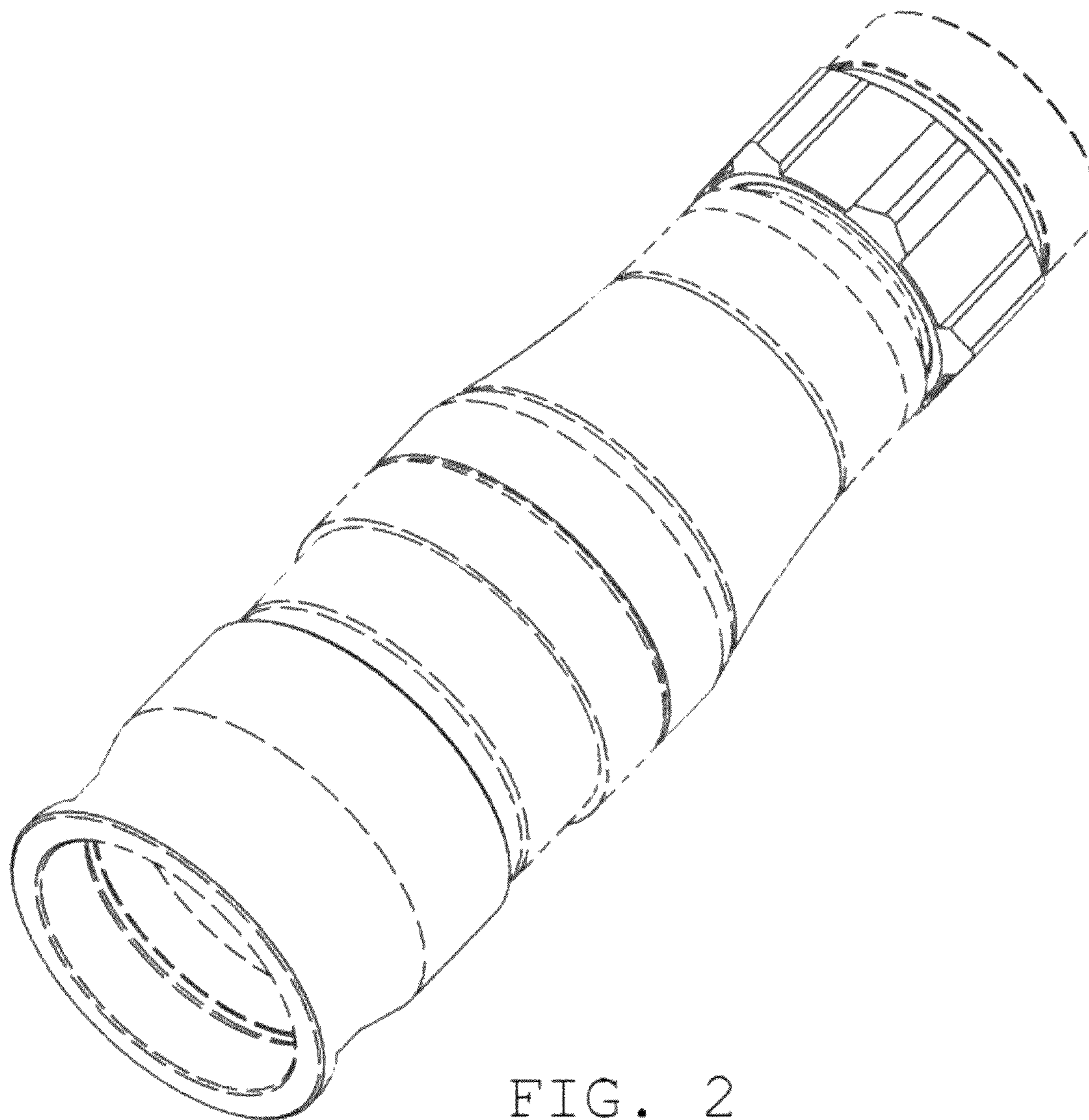


FIG. 2

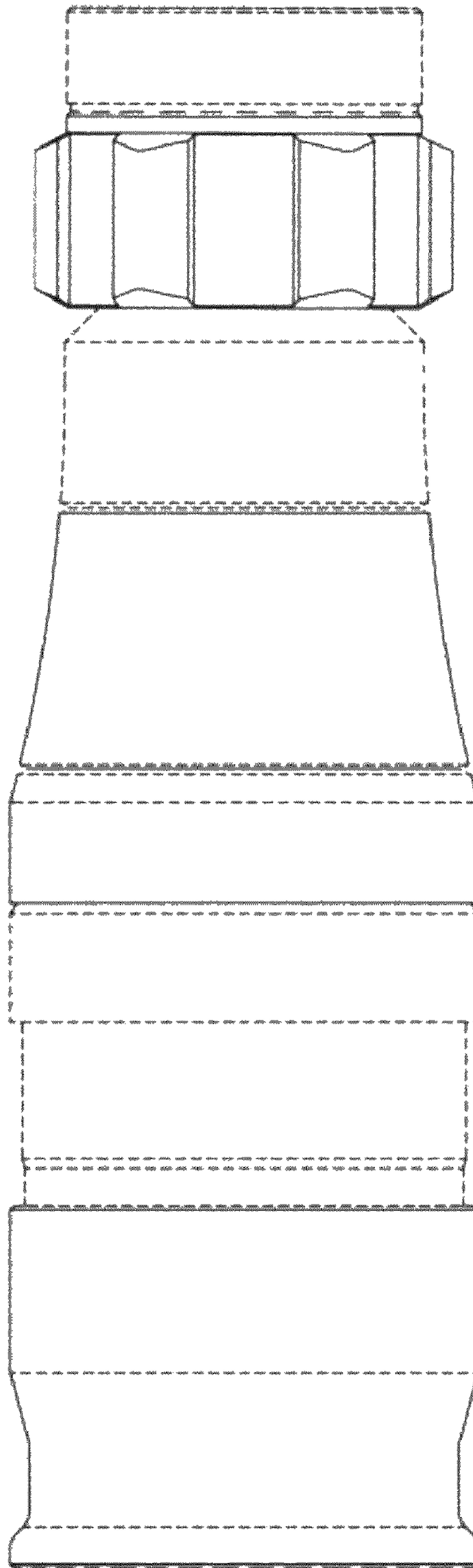


FIG. 3

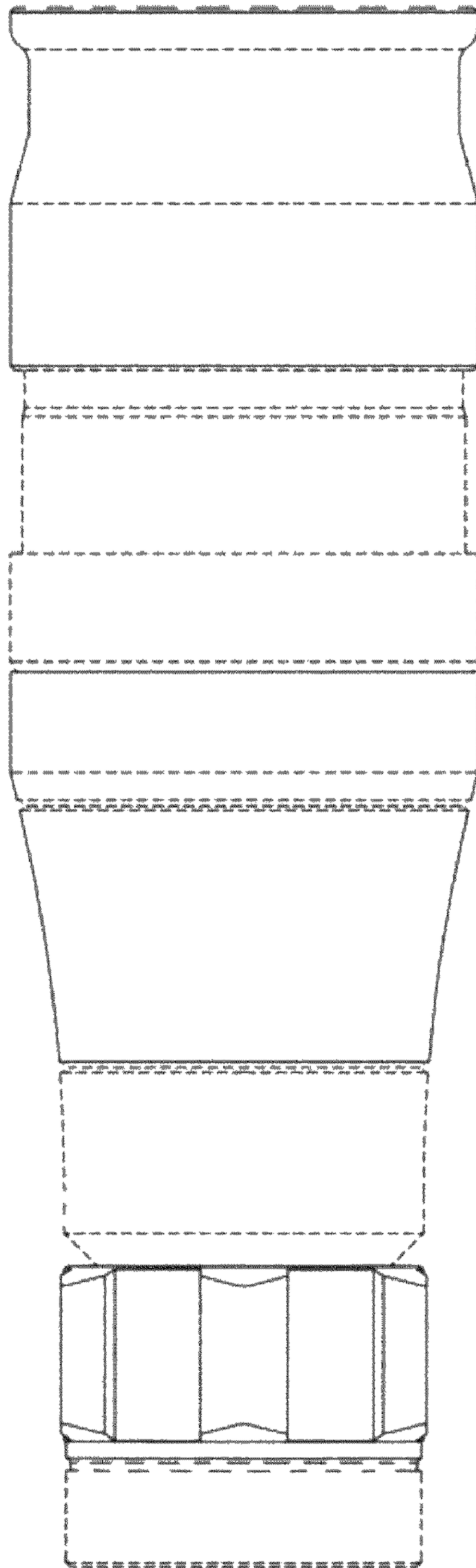


FIG. 4

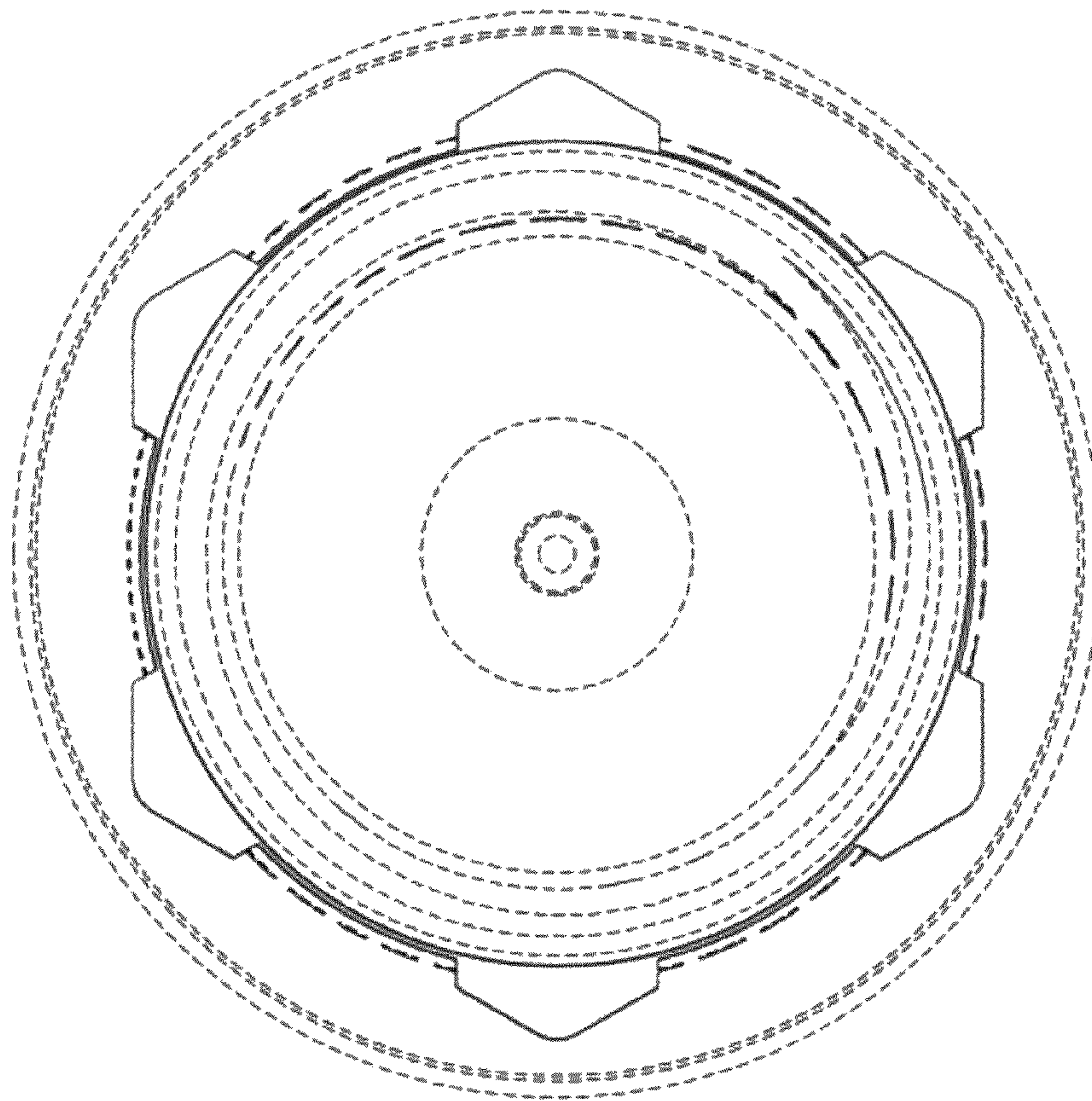


FIG. 5

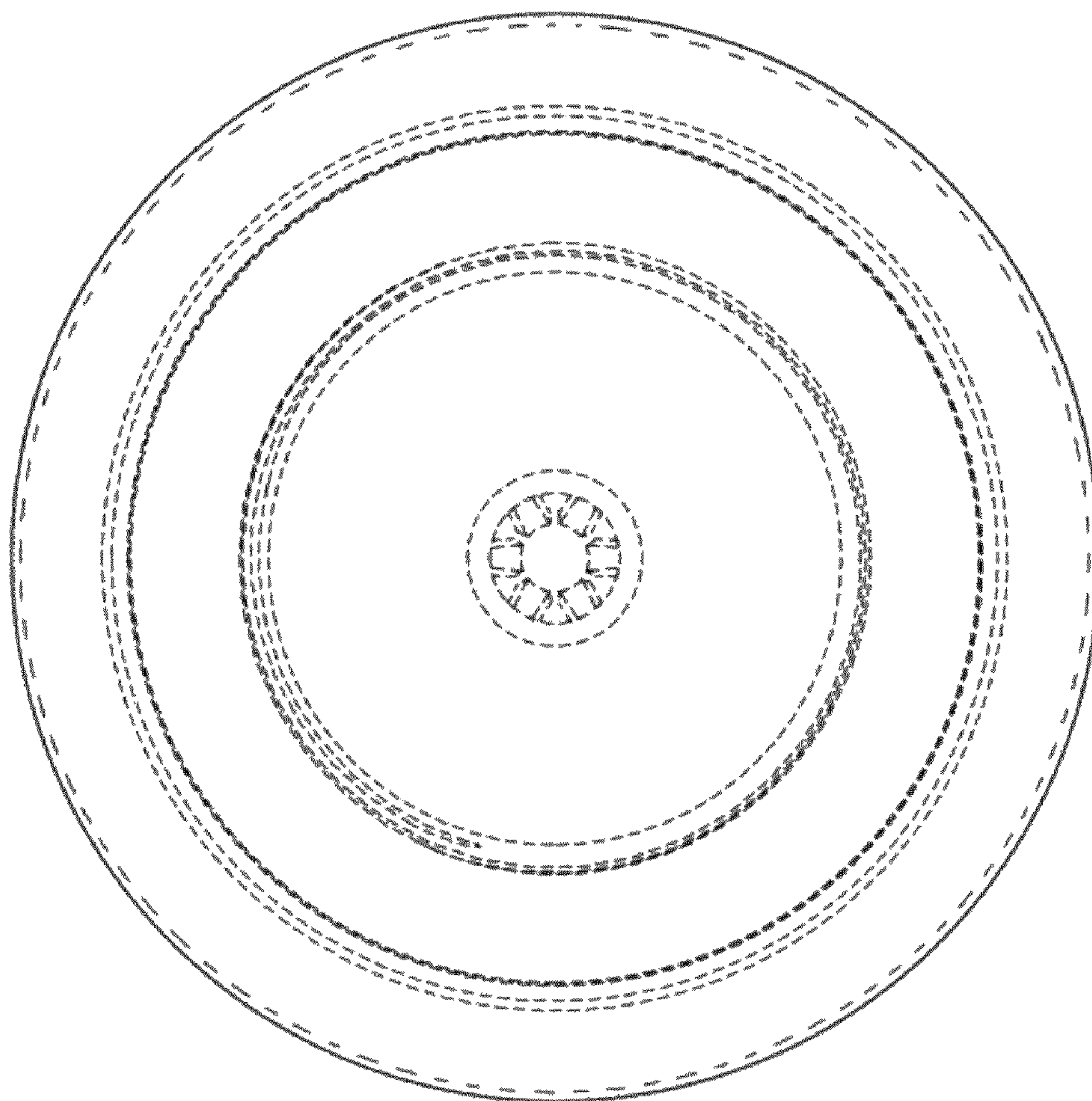


FIG. 6