



US00D662892S

(12) **United States Design Patent**
Giefers et al.

(10) **Patent No.:** **US D662,892 S**

(45) **Date of Patent:** **** Jul. 3, 2012**

(54) **ELECTRICAL CONNECTOR**

(75) Inventors: **Stefan Giefers**, Detmold (DE); **Mehmet Sagdic**, Detmold (DE)

(73) Assignee: **Phoenix Contact GmbH & Co. KG**, Blomberg (DE)

(**) Term: **14 Years**

(21) Appl. No.: **29/379,899**

(22) Filed: **Nov. 26, 2010**

(30) **Foreign Application Priority Data**

May 26, 2010 (EM) 001712183-0002

May 26, 2010 (EM) 001712183-0003

(51) **LOC (9) Cl.** **13-03**

(52) **U.S. Cl.** **D13/151**

(58) **Field of Classification Search** D13/133,
D13/149, 151, 153, 154, 156, 199; 439/79,
439/248, 258, 274, 35, 352, 353, 358, 359,
439/362, 378, 445, 447, 57, 8, 584, 585,
439/656, 66, 676, 677, 678, 679, 68, 681,
439/682, 686

See application file for complete search history.

(56) **References Cited**

U.S. PATENT DOCUMENTS

D539,743 S * 4/2007 Langer et al. D13/147

D601,090 S * 9/2009 Vigorito et al. D13/133

D626,068 S 10/2010 Giefers

D626,506 S 11/2010 Giefers

D638,797 S * 5/2011 Ohmori D13/133

D639,242 S * 6/2011 Ohmori D13/133

D645,000 S * 9/2011 Yoshida D13/154
D647,479 S * 10/2011 Ohmori D13/133
D647,480 S * 10/2011 Ohmori D13/133
D647,481 S * 10/2011 Ohmori D13/133
2004/0132339 A1 * 7/2004 Buenz et al. 439/578
2011/0294335 A1 * 12/2011 Sagdic et al. 439/359

OTHER PUBLICATIONS

Co-pending U.S. Appl. No. 29/379,898, filed Nov. 26, 2010, entitled "Electrical Connector".

* cited by examiner

Primary Examiner — Thomas Johannes

(74) *Attorney, Agent, or Firm* — Leydig, Voit & Mayer, Ltd.

(57) **CLAIM**

The ornamental design for an electrical connector, as shown and described.

DESCRIPTION

FIG. 1 is a front, left, top-side perspective view of the electrical connector showing our new design;

FIG. 2 is a left side view thereof, the right side view being a mirror image of the left side view;

FIG. 3 is a top view thereof, the bottom view being a mirror image of the top view;

FIG. 4 is a rear view thereof;

FIG. 5 is a front view thereof;

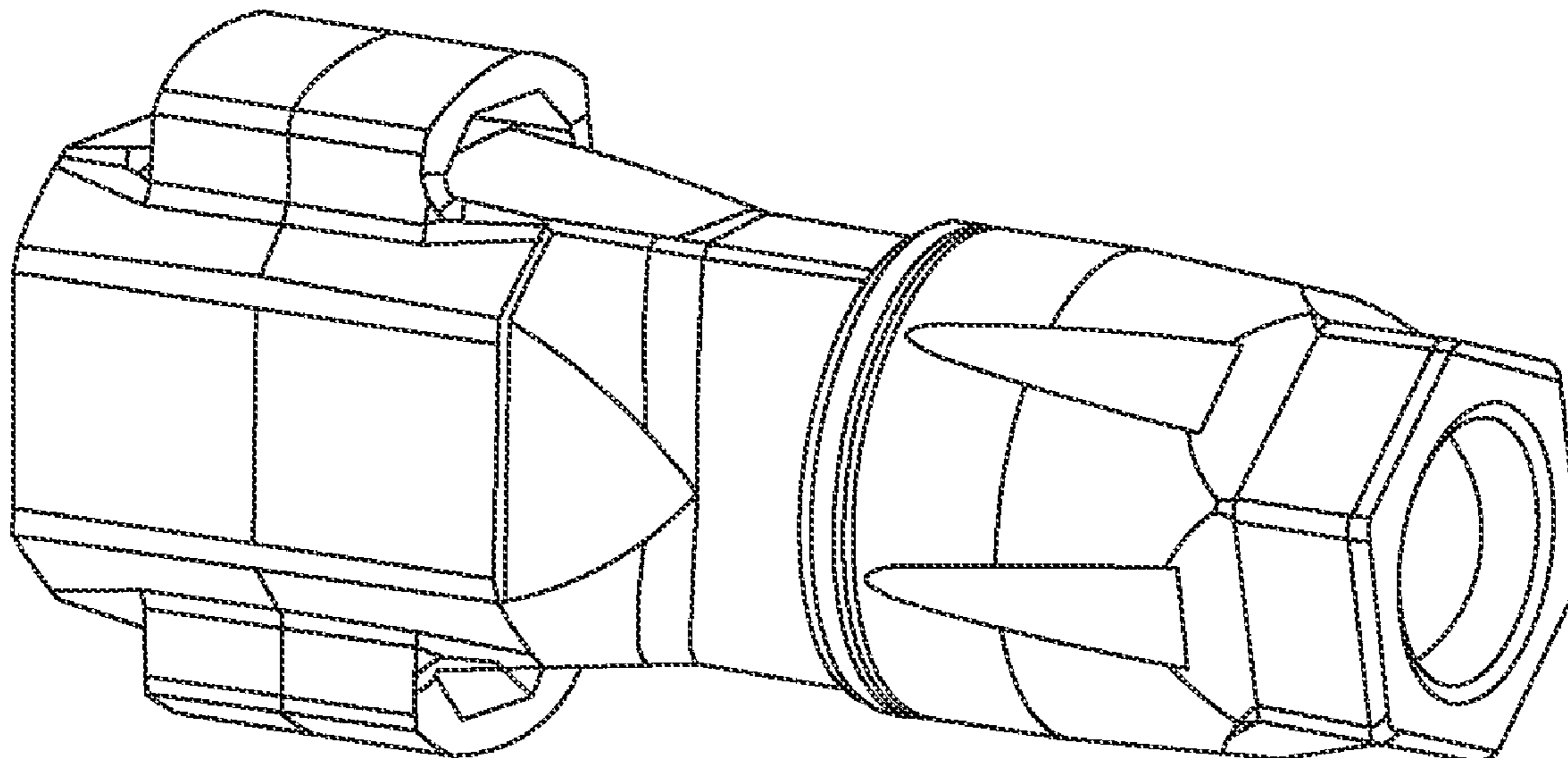
FIG. 6 is front, left, top-side exploded perspective view thereof;

FIG. 7 is a left side exploded view thereof, the right side exploded view being a mirror image of the left side exploded view; and,

FIG. 8 is a top exploded view thereof, the bottom exploded view being a mirror image of the top exploded view.

The broken lines in the Figures depict interior portions of the connector that form no part of the claimed design.

1 Claim, 3 Drawing Sheets



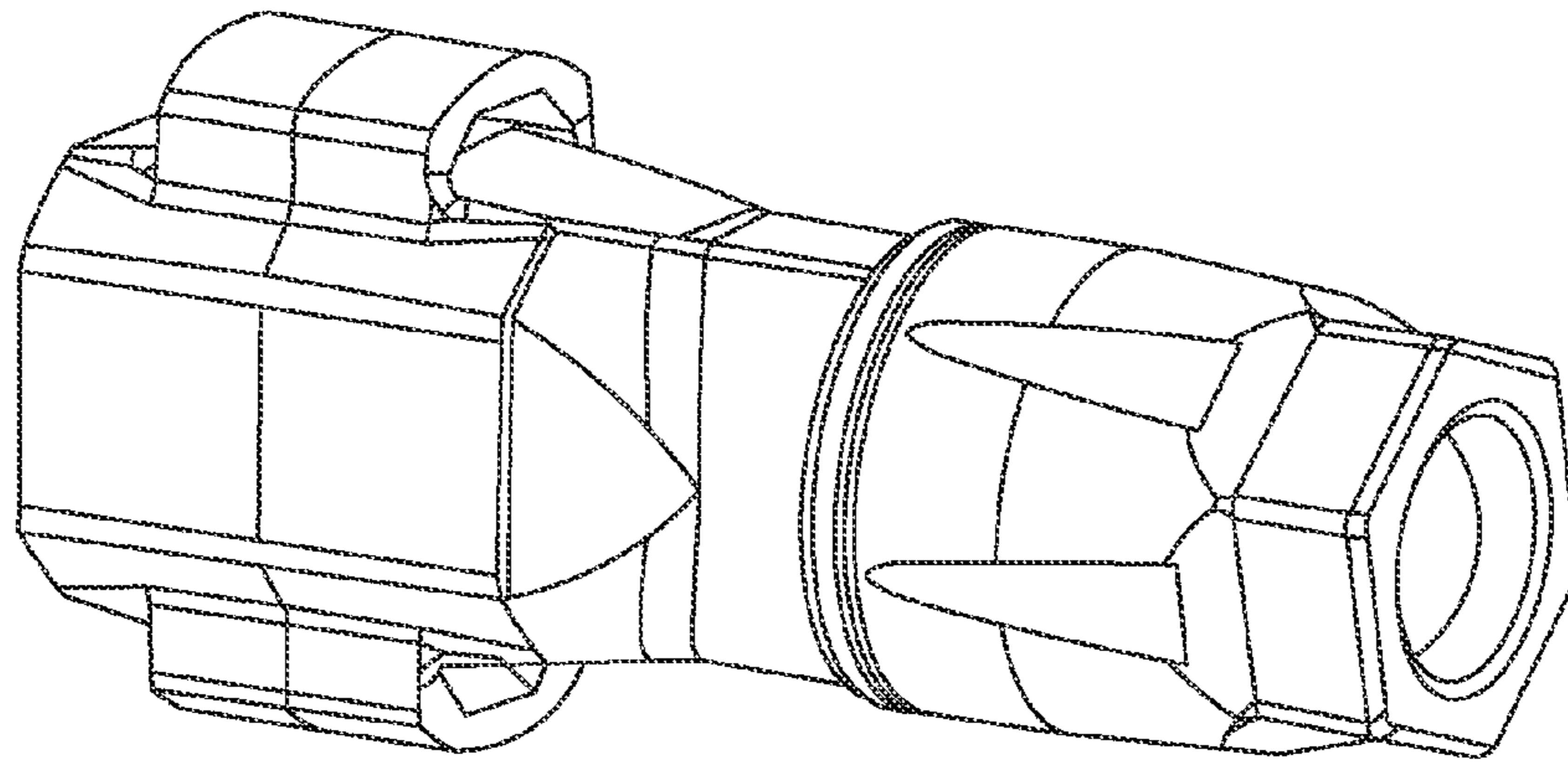


FIG. 1

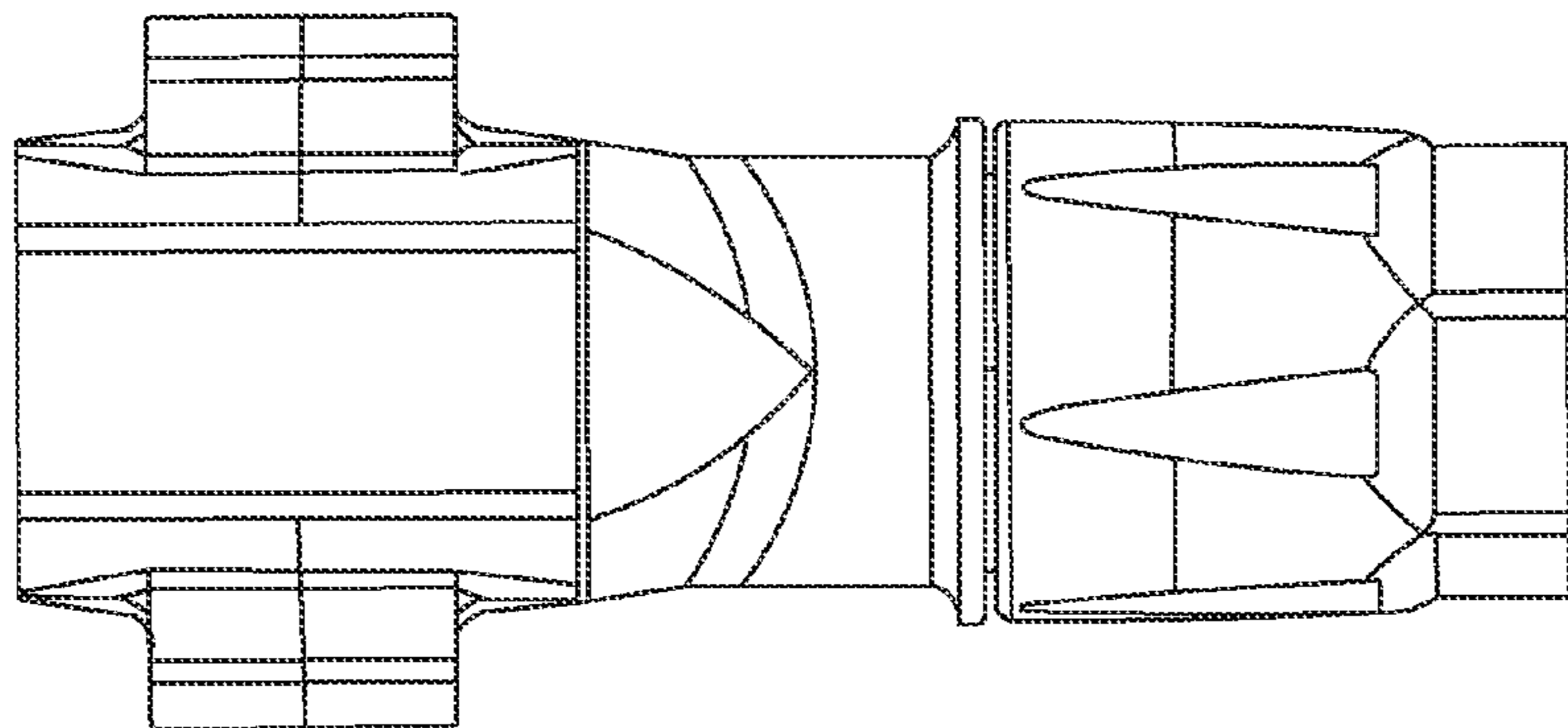


FIG. 2

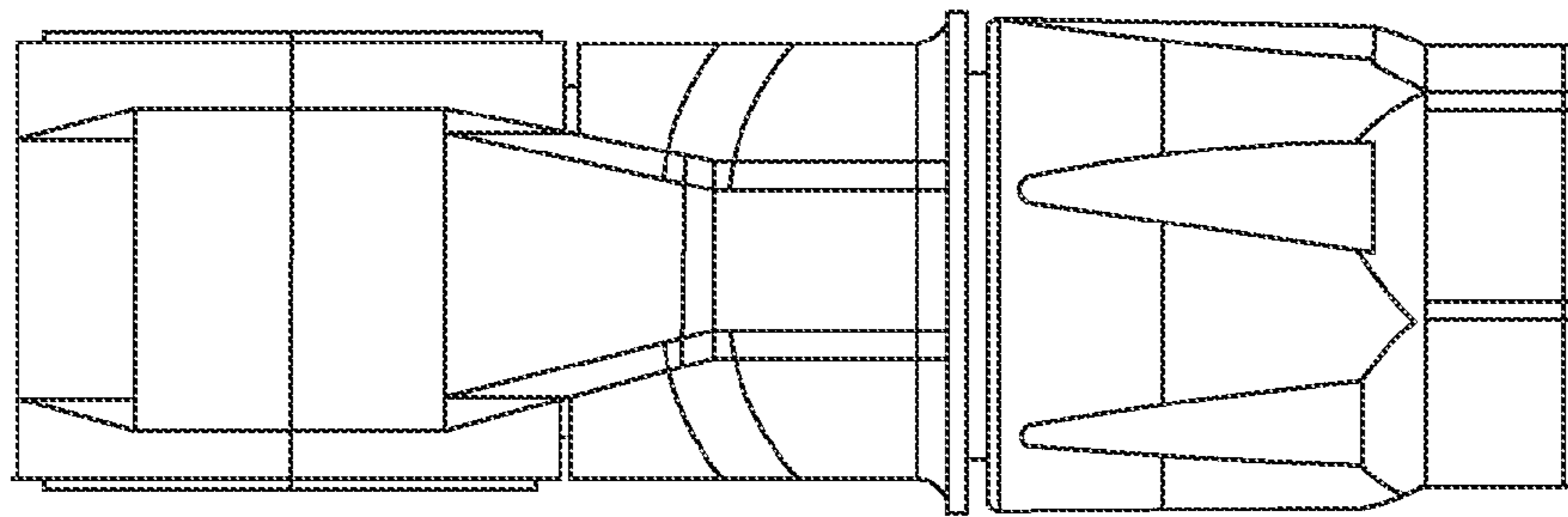


FIG. 3

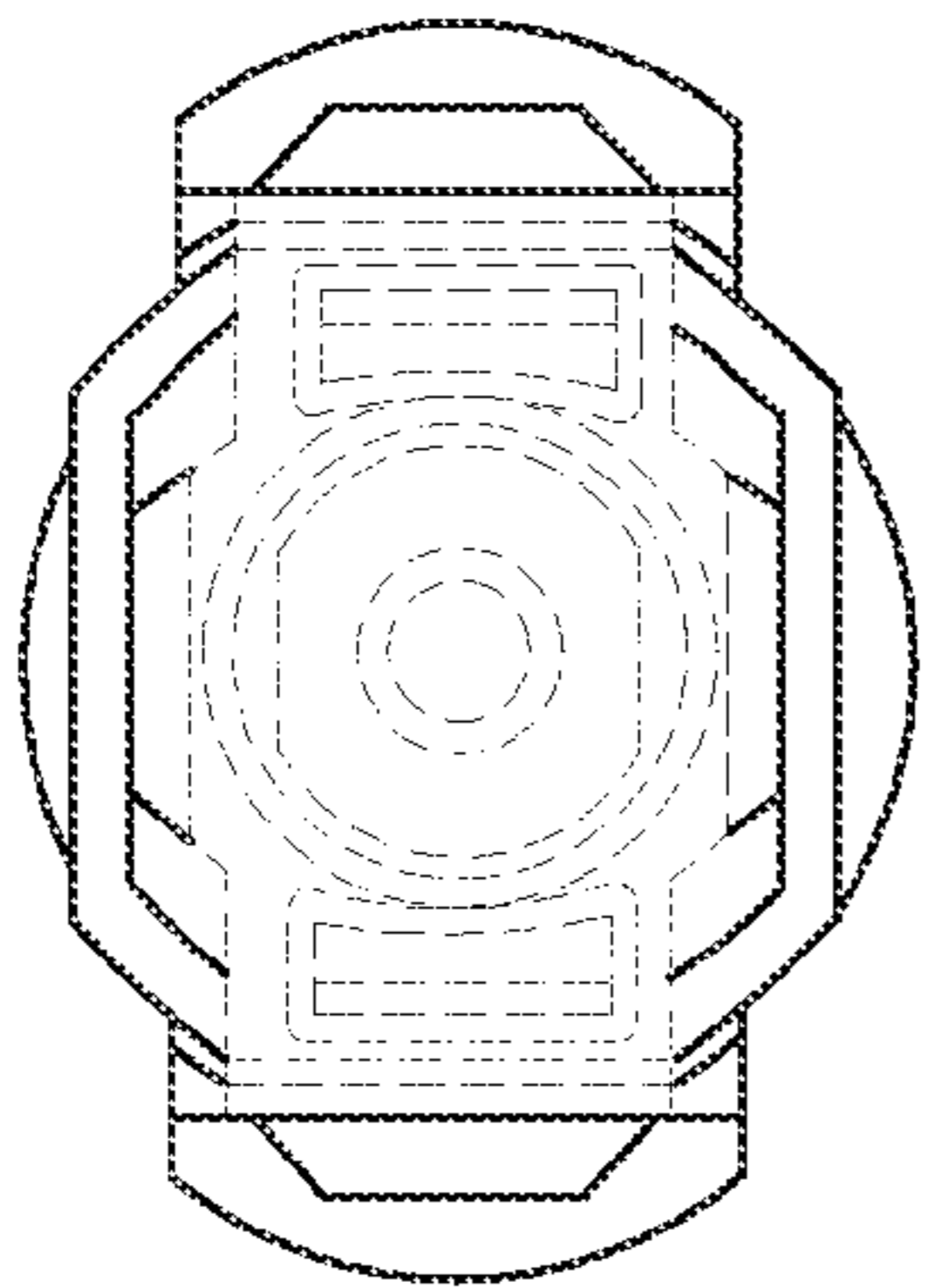


FIG. 4

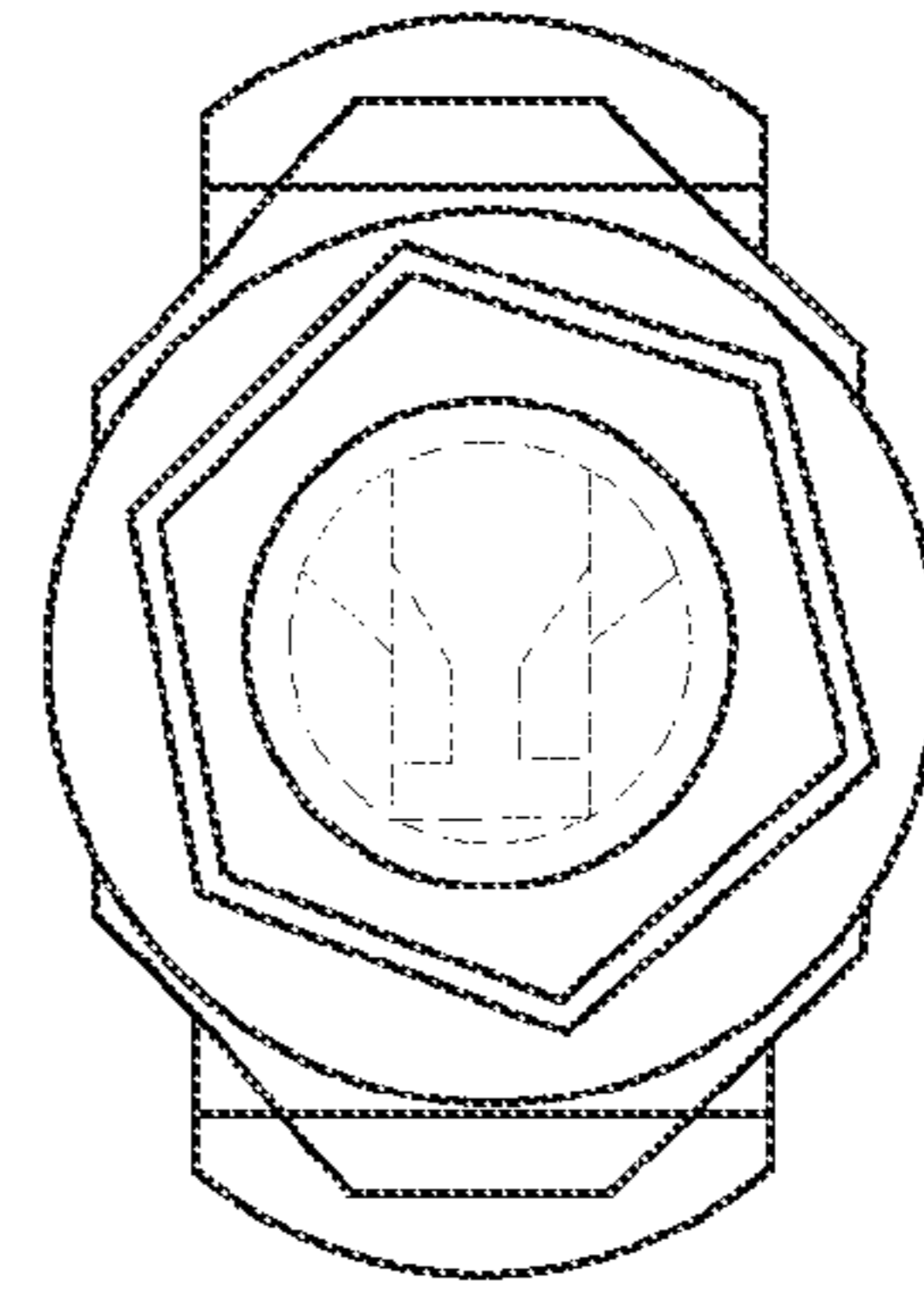


FIG. 5

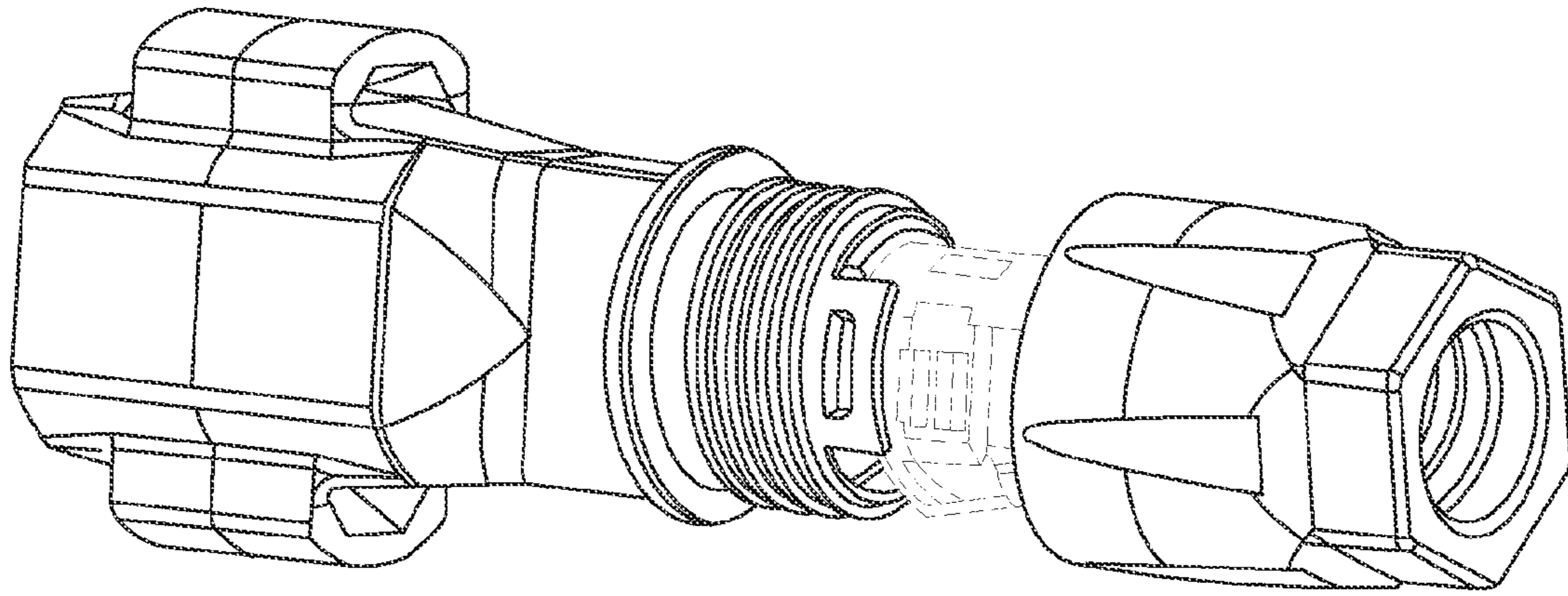


FIG. 6

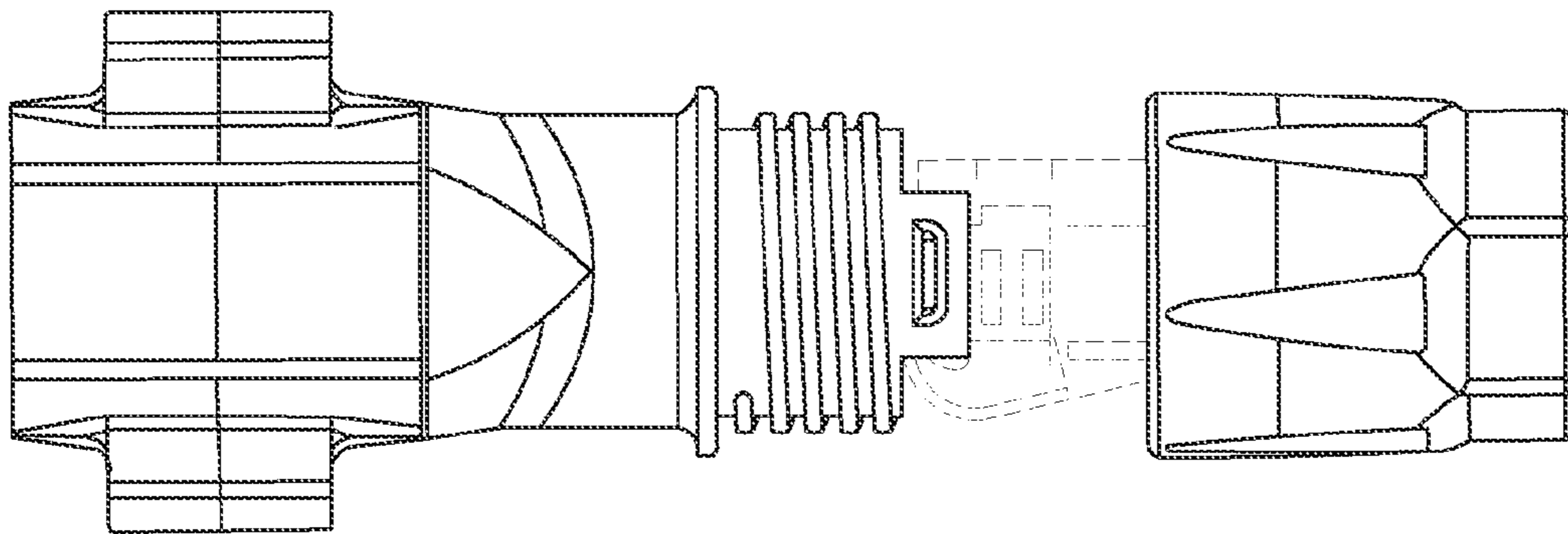


FIG. 7

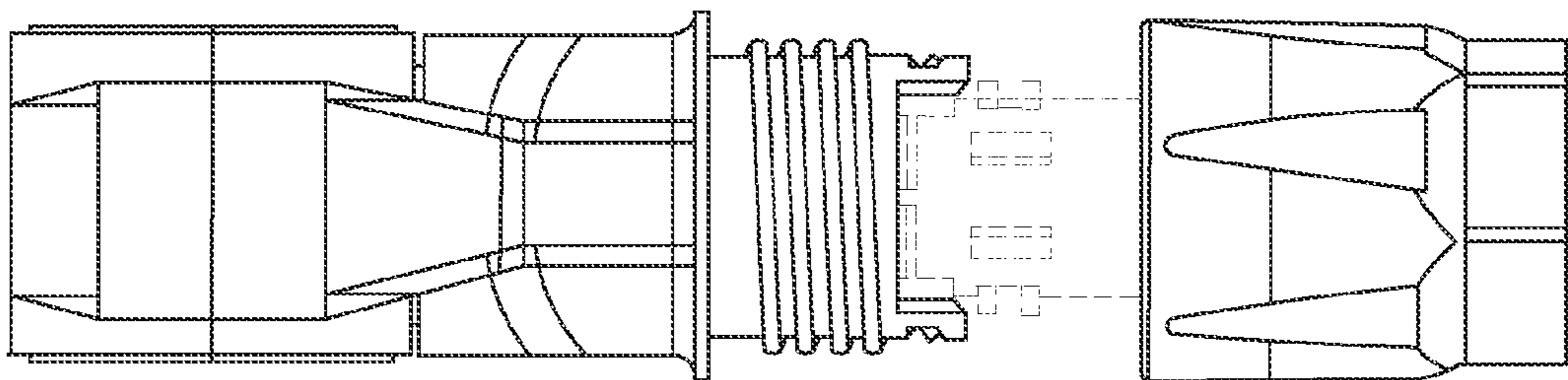


FIG. 8