



US00D662891S

(12) **United States Design Patent**
Sasada et al.

(10) **Patent No.:** **US D662,891 S**
(45) **Date of Patent:** **** Jul. 3, 2012**

(54) **ELECTRICAL CONNECTOR**

(75) Inventors: **Kosuke Sasada**, Yao (JP); **Hayato Kondo**, Yao (JP)

(73) Assignee: **Hosiden Corporation**, Yao-shi (JP)

(**) Term: **14 Years**

(21) Appl. No.: **29/412,815**

(22) Filed: **Feb. 8, 2012**

(30) **Foreign Application Priority Data**

Aug. 31, 2011 (JP) 2011-019701
Aug. 31, 2011 (JP) 2011-019702

(51) **LOC (9) Cl.** **13-03**

(52) **U.S. Cl.** **D13/147**

(58) **Field of Classification Search** D13/147,
D13/154, 184, 199; D14/432, 433, 435,
D14/436, 438; 439/64, 79, 159-160, 330,
439/331, 341, 342, 629, 630, 636, 660, 607.01,
439/607.04, 607.05, 607.17, 607.25, 607.34,
439/607.41, 607.53, 862, 884, 946
See application file for complete search history.

(56) **References Cited**

U.S. PATENT DOCUMENTS

D499,731 S * 12/2004 Fan D14/433
D520,957 S * 5/2006 Chang et al. D13/147
D566,655 S * 4/2008 Chen et al. D13/147
D580,363 S * 11/2008 Hung D13/147
D591,684 S * 5/2009 Watanabe D13/147
D602,875 S * 10/2009 Huang D13/147

D627,736 S * 11/2010 Gao et al. D13/147
D644,997 S * 9/2011 Su et al. D13/147
D648,681 S * 11/2011 Huang D13/147
D648,682 S * 11/2011 Huang D13/147

* cited by examiner

Primary Examiner — Daniel Bui

(74) *Attorney, Agent, or Firm* — Rankin, Hill & Clark LLP

(57) **CLAIM**

The ornamental design for an electrical connector, as shown and described.

DESCRIPTION

FIG. 1 is a front, right side and top perspective view of an electrical connector showing our new design;
FIG. 2 is a front, right side and bottom perspective view thereof;
FIG. 3 is a front elevation view thereof;
FIG. 4 is a rear elevation view thereof;
FIG. 5 is a left side view thereof, a right side view being a mirror image thereof;
FIG. 6 is a sectional view thereof, taken along a line 6-6 in FIG. 3;
FIG. 7 is a top plan view thereof;
FIG. 8 is a bottom plan view thereof;
FIG. 9 is a front, right side and top perspective view thereof, with its shell open;
FIG. 10 is a front, right side and bottom perspective view thereof;
FIG. 11 is a front elevation view thereof;
FIG. 12 is a rear elevation view thereof;
FIG. 13 is a left side view thereof;
FIG. 14 is a top plan view thereof; and,
FIG. 15 is a bottom plan view thereof.

1 Claim, 6 Drawing Sheets

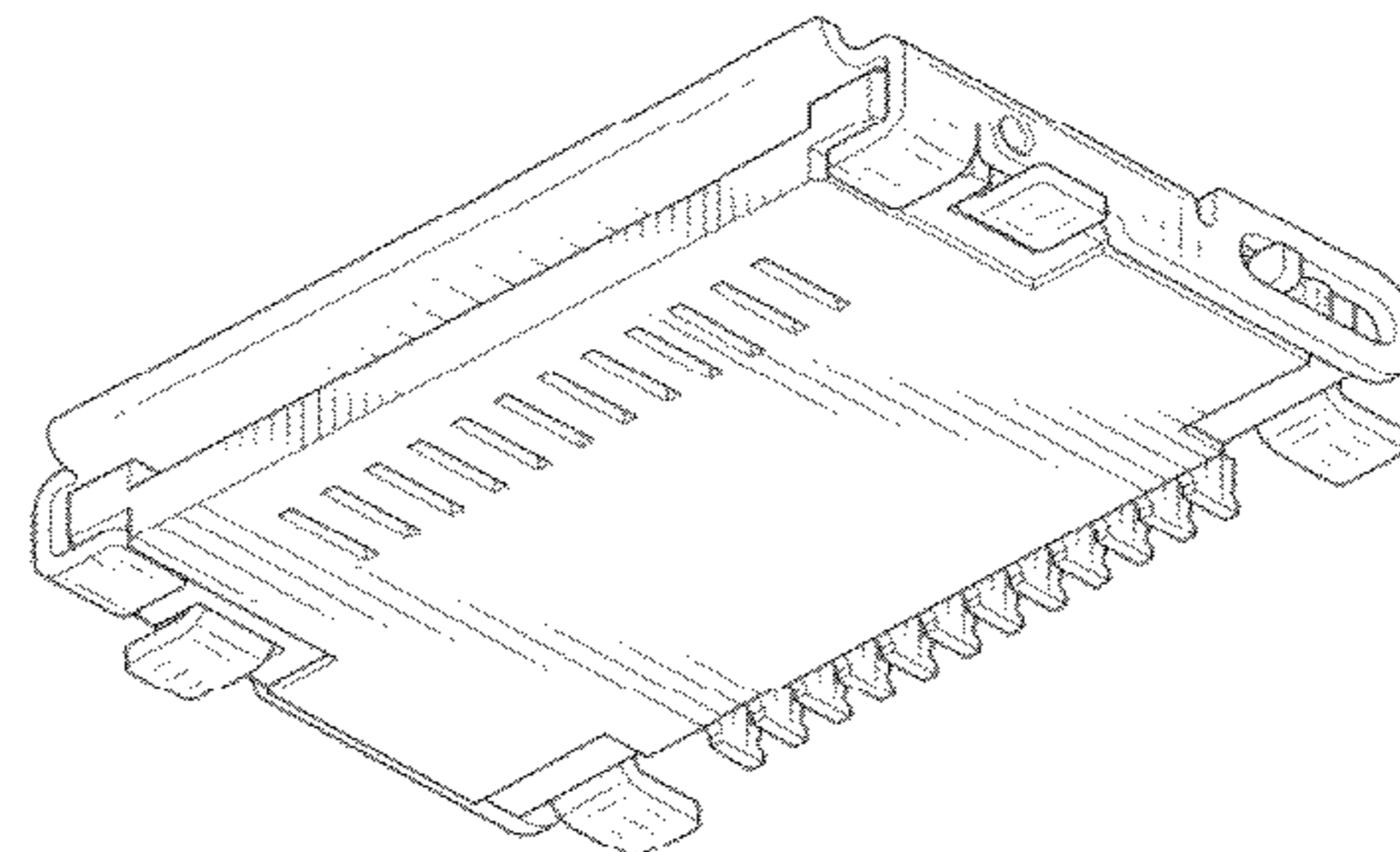
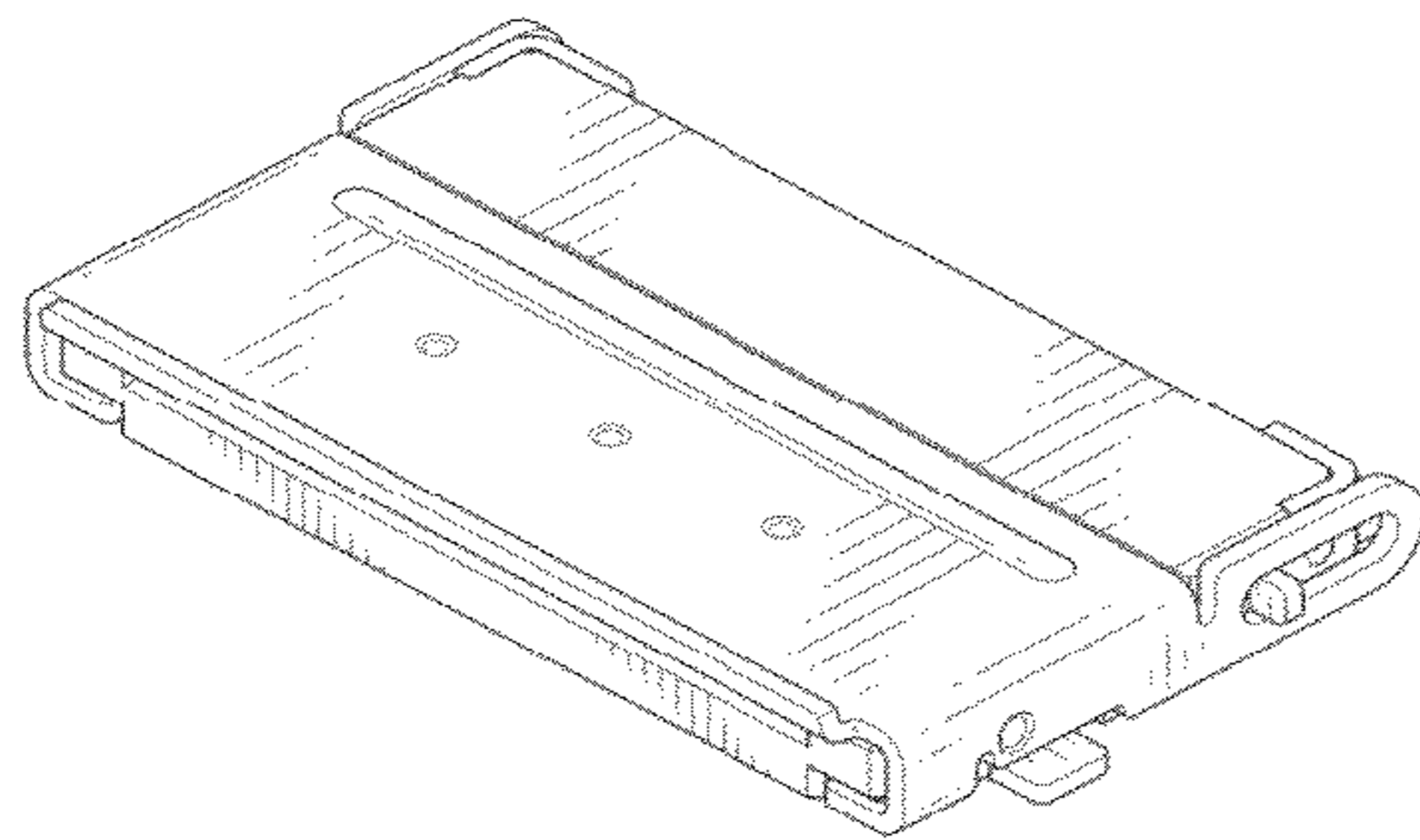


Fig. 1

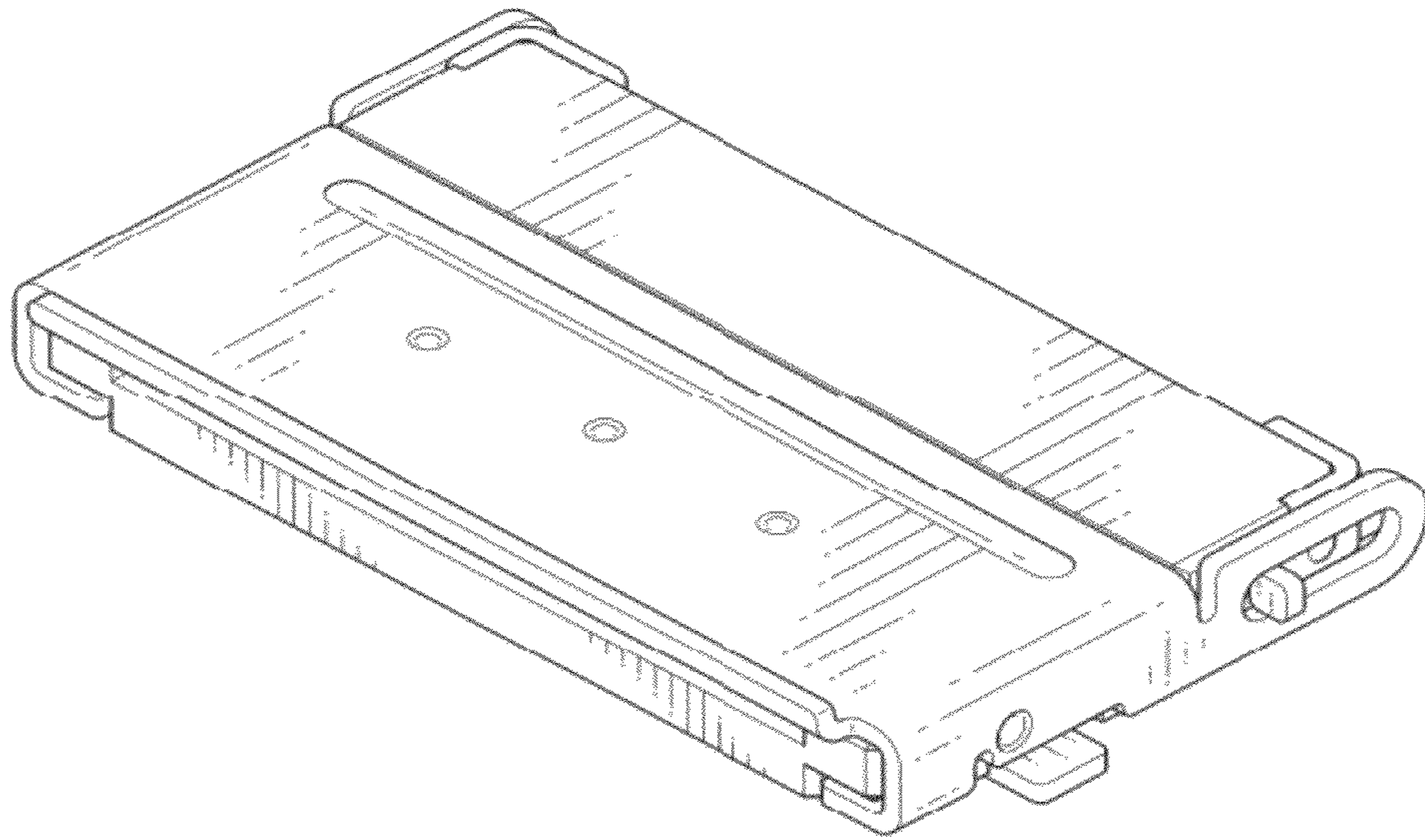


Fig. 2

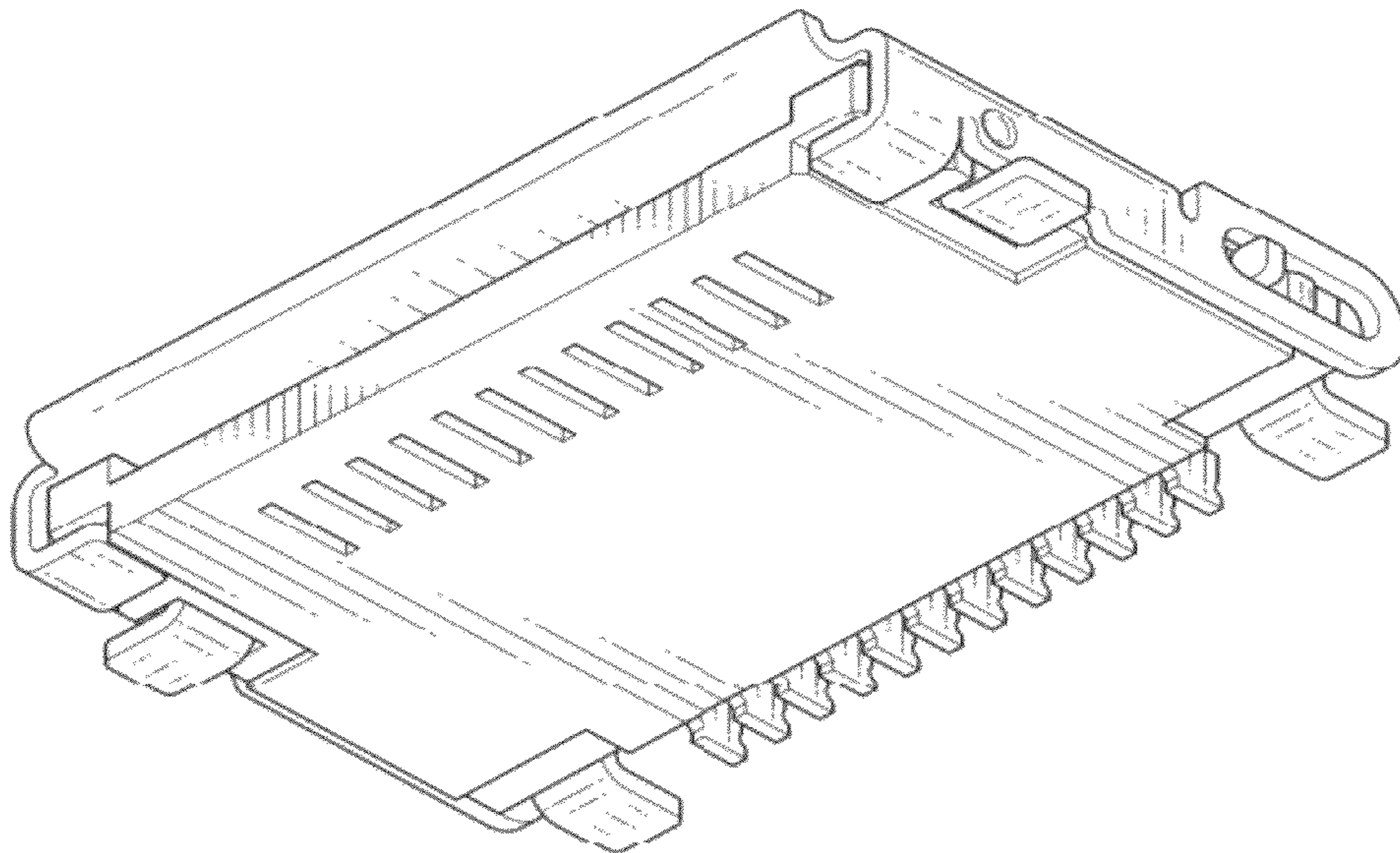


Fig. 3

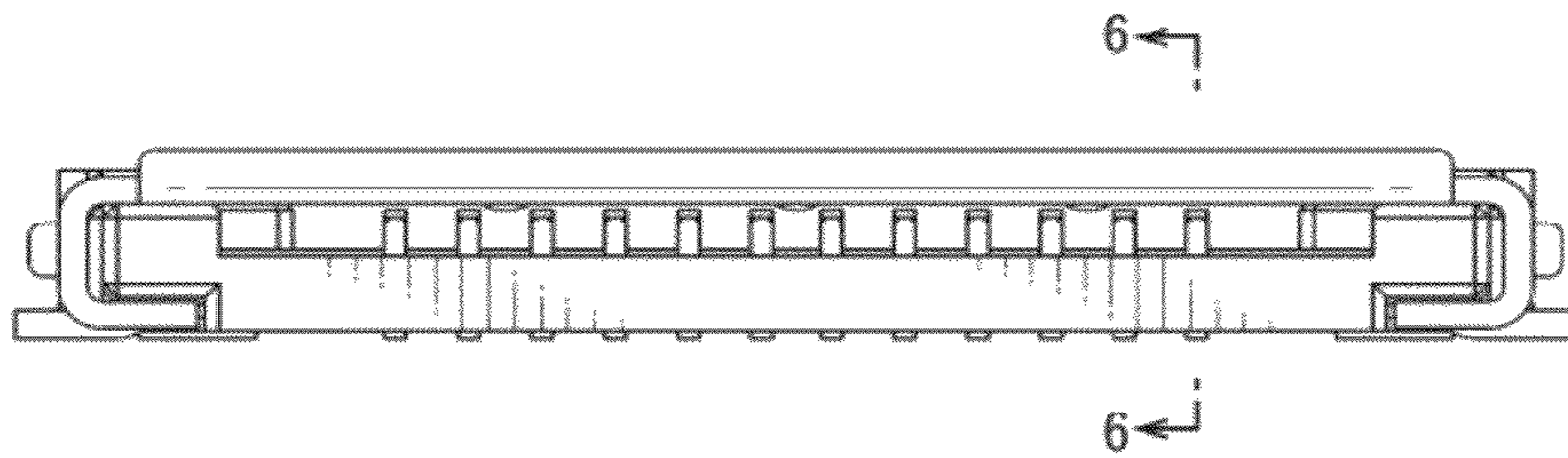


Fig. 4

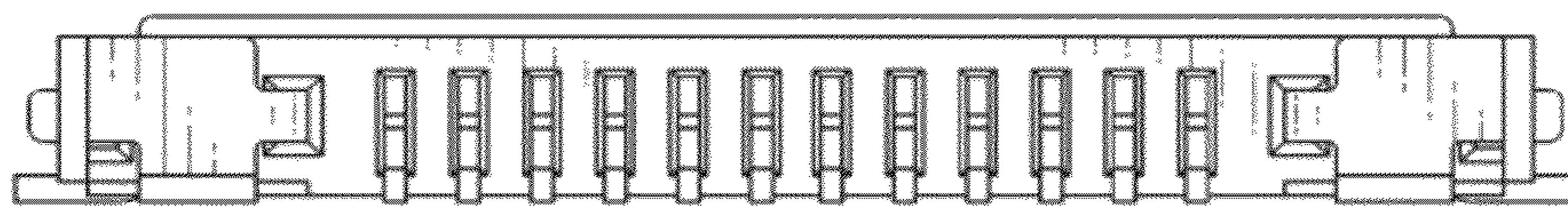


Fig. 5

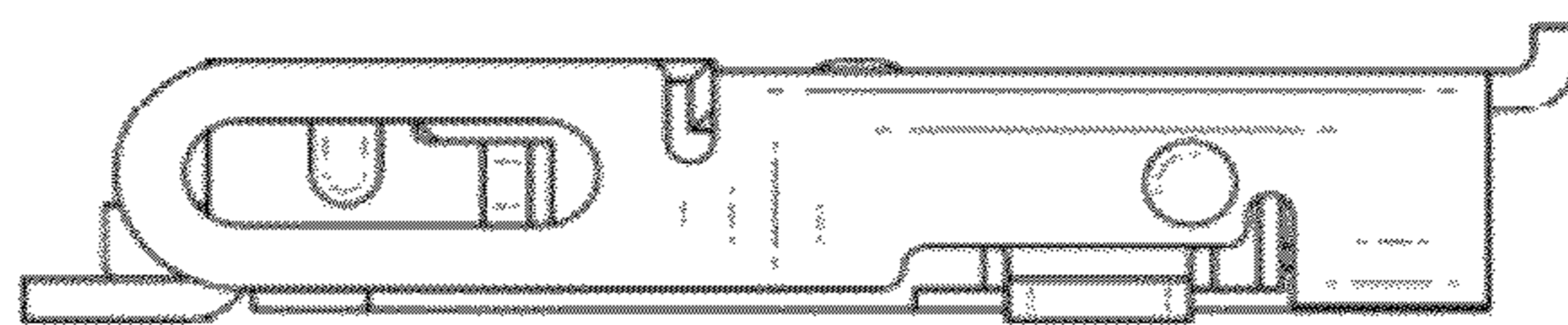


Fig. 6

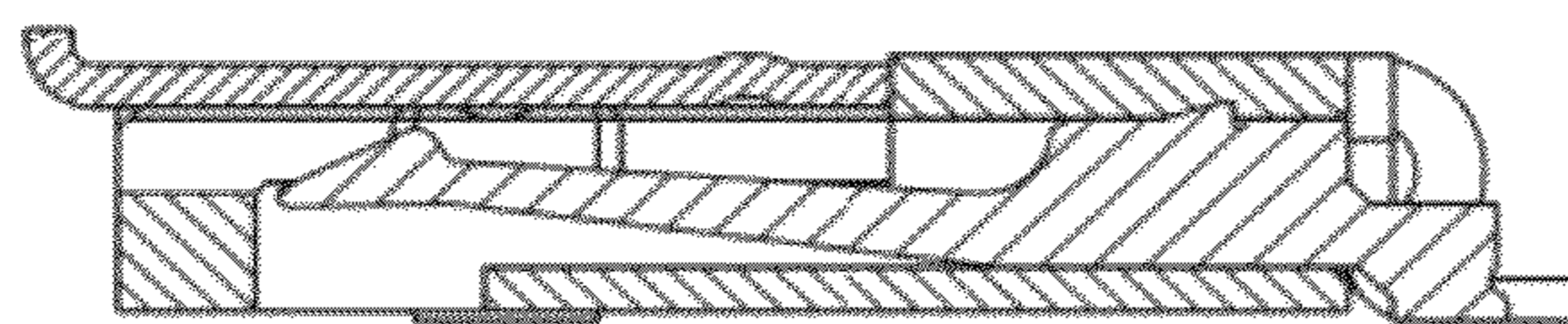


Fig. 7

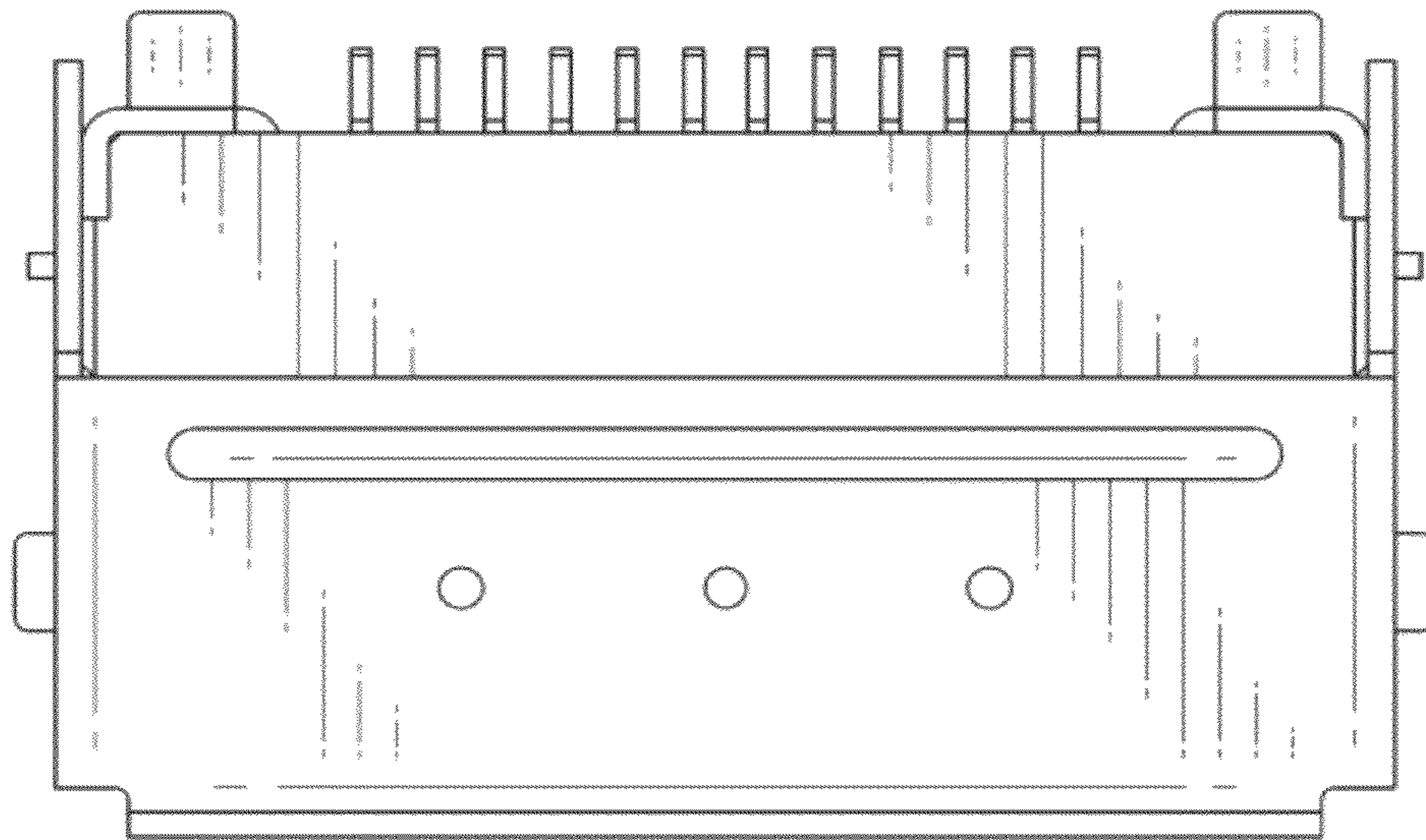


Fig. 8

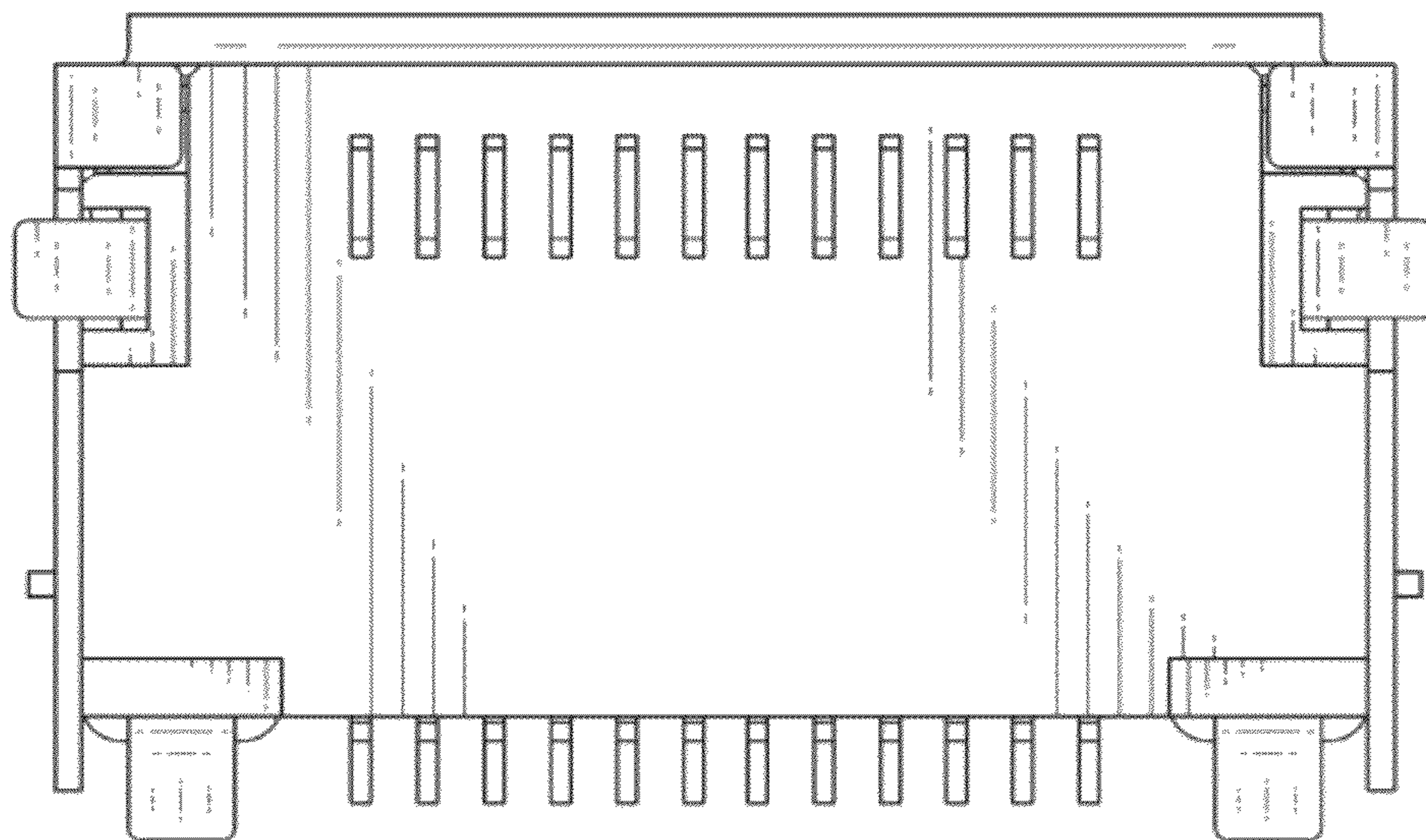


Fig. 9

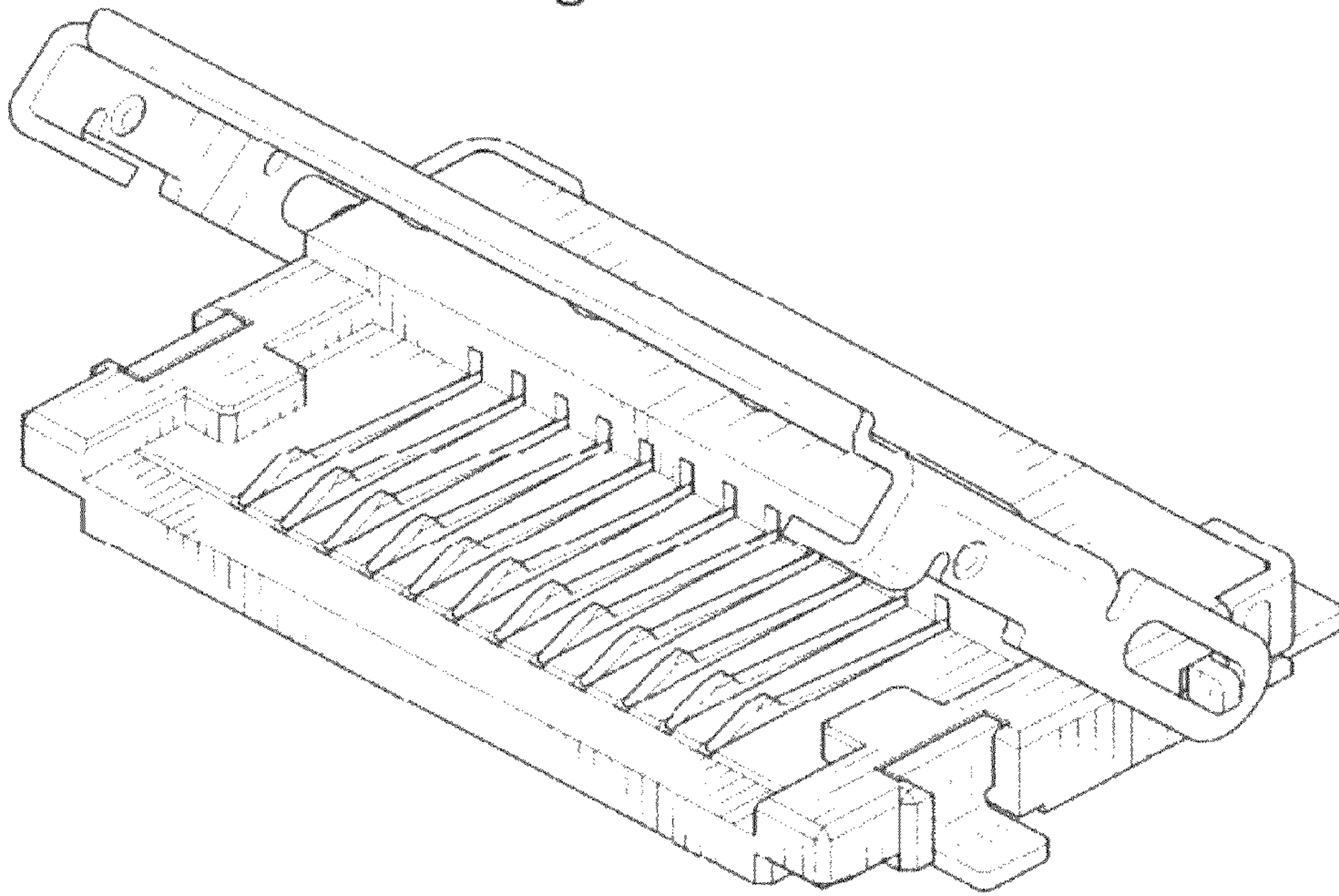


Fig. 10

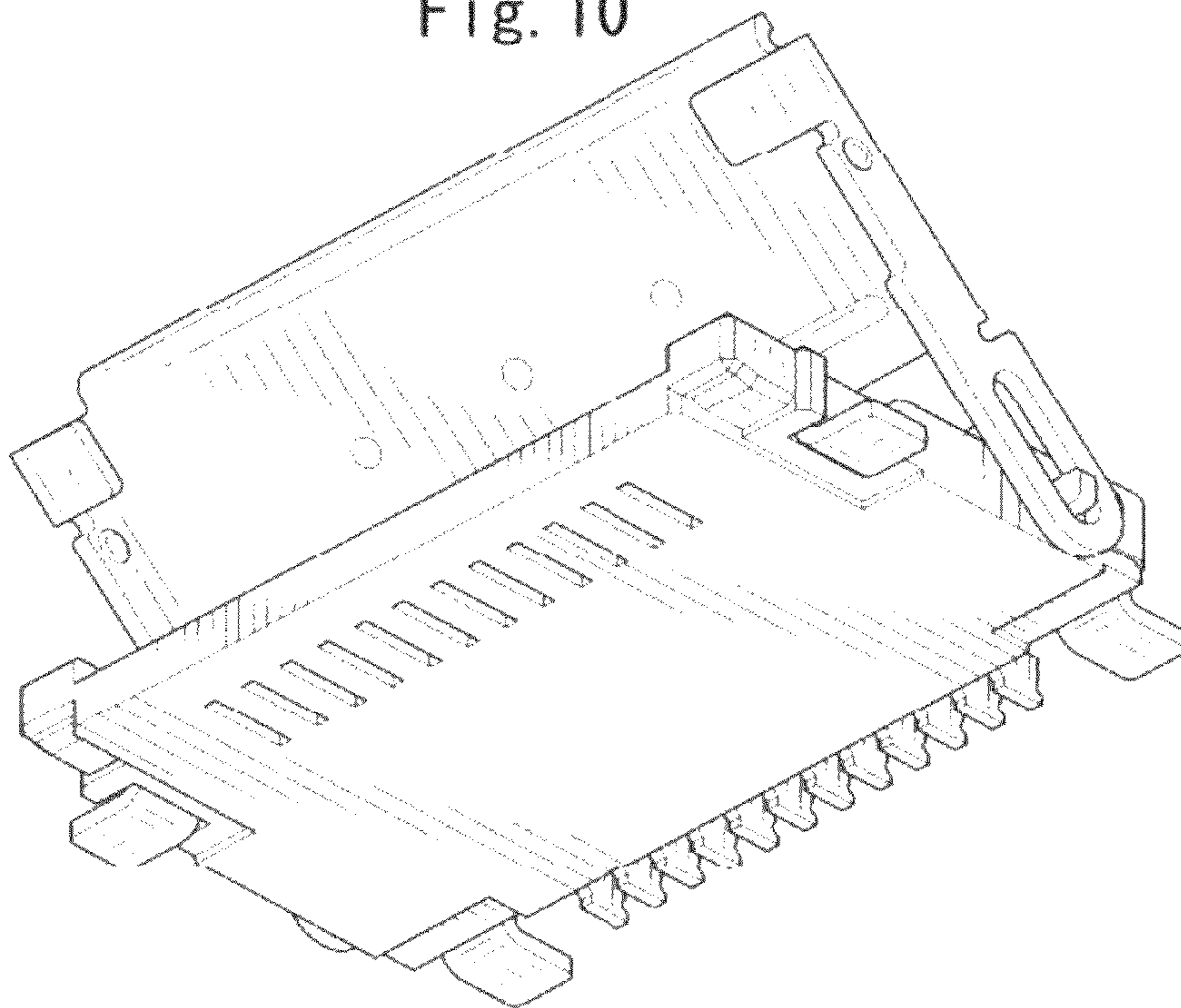


Fig. 11

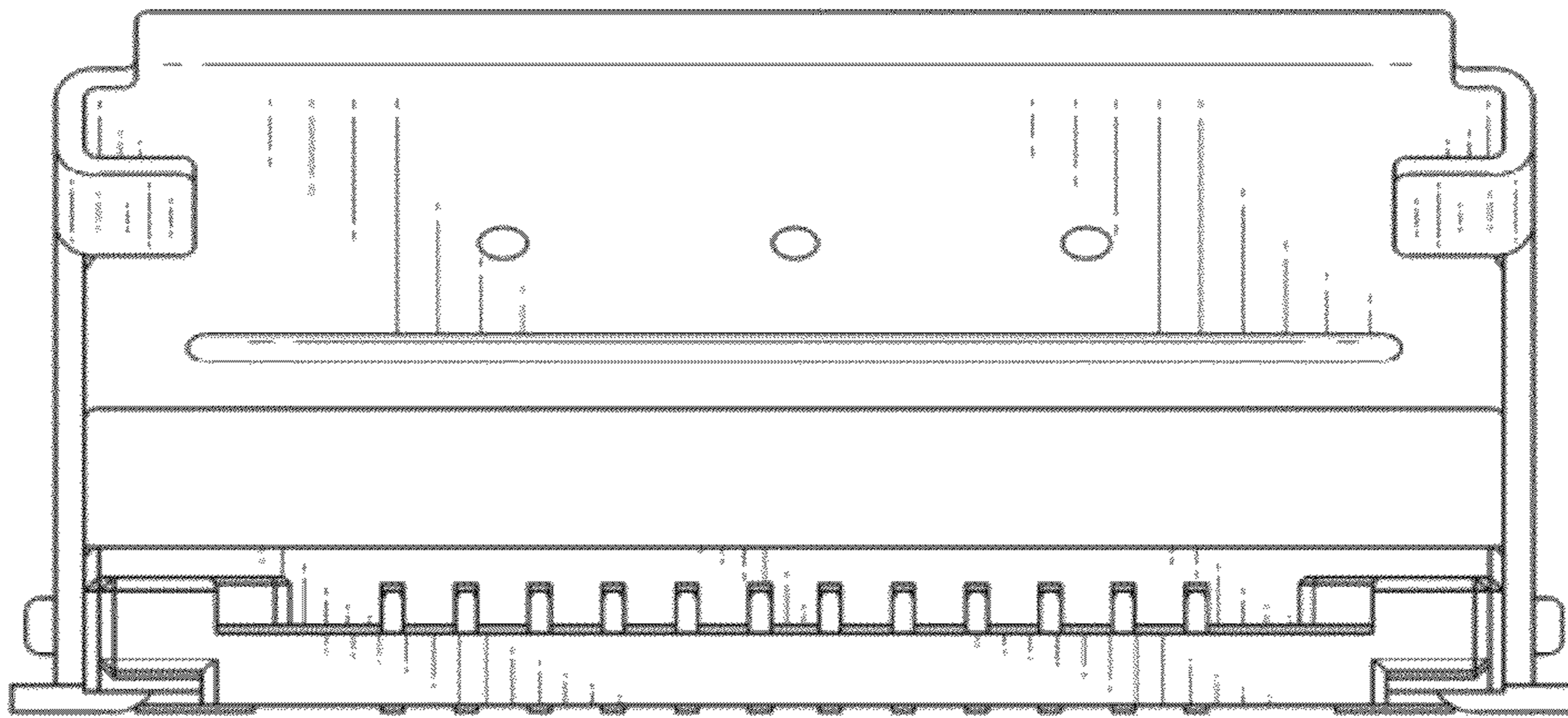


Fig. 12

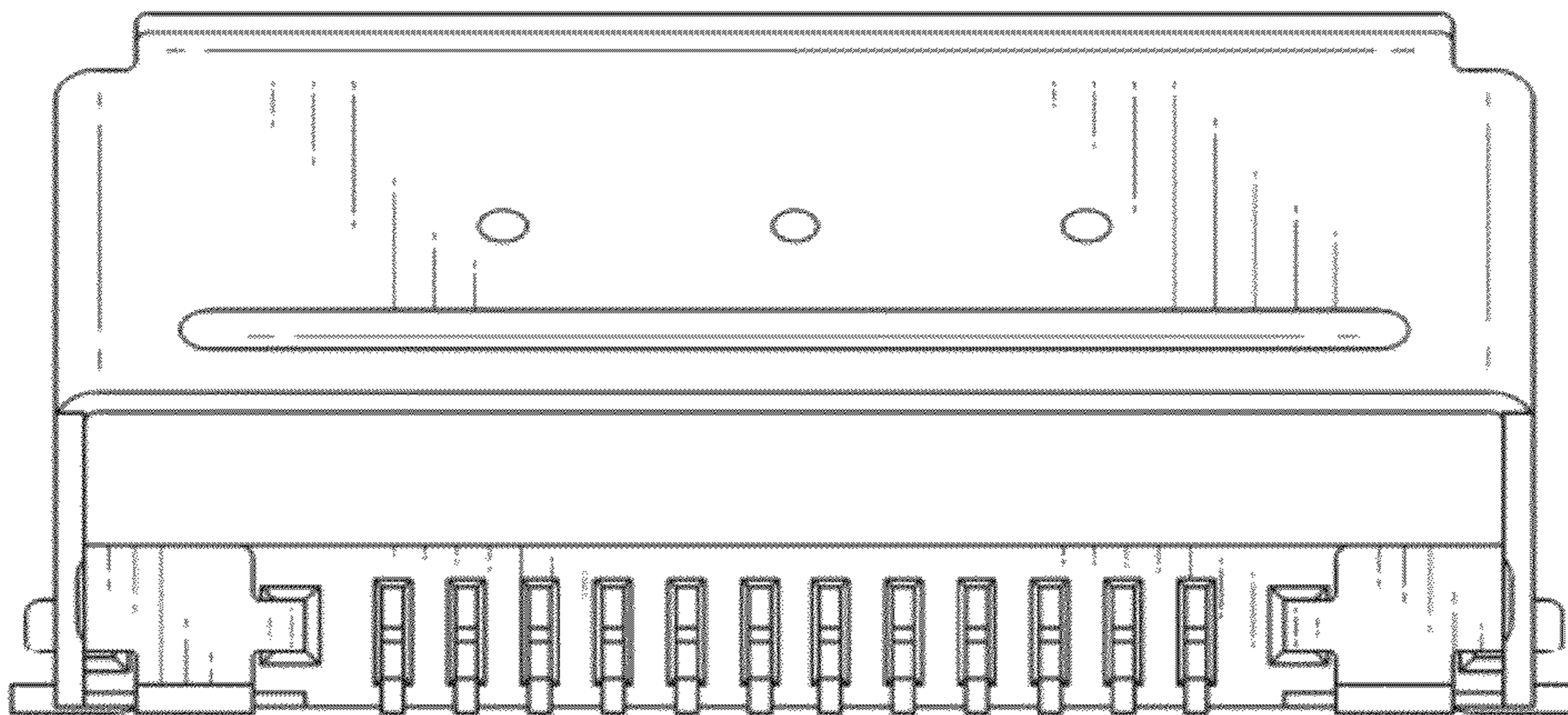


Fig. 13

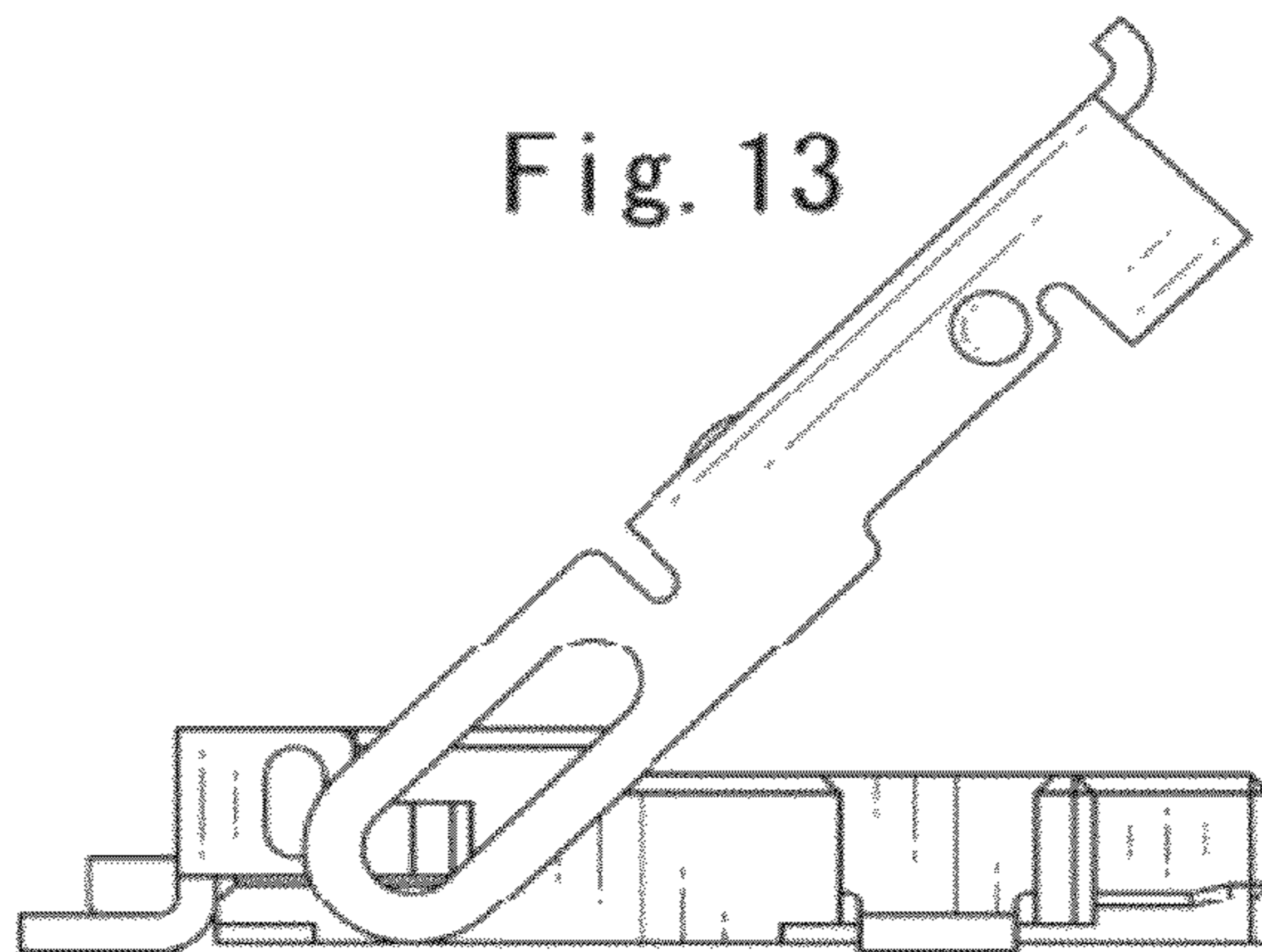


Fig. 14

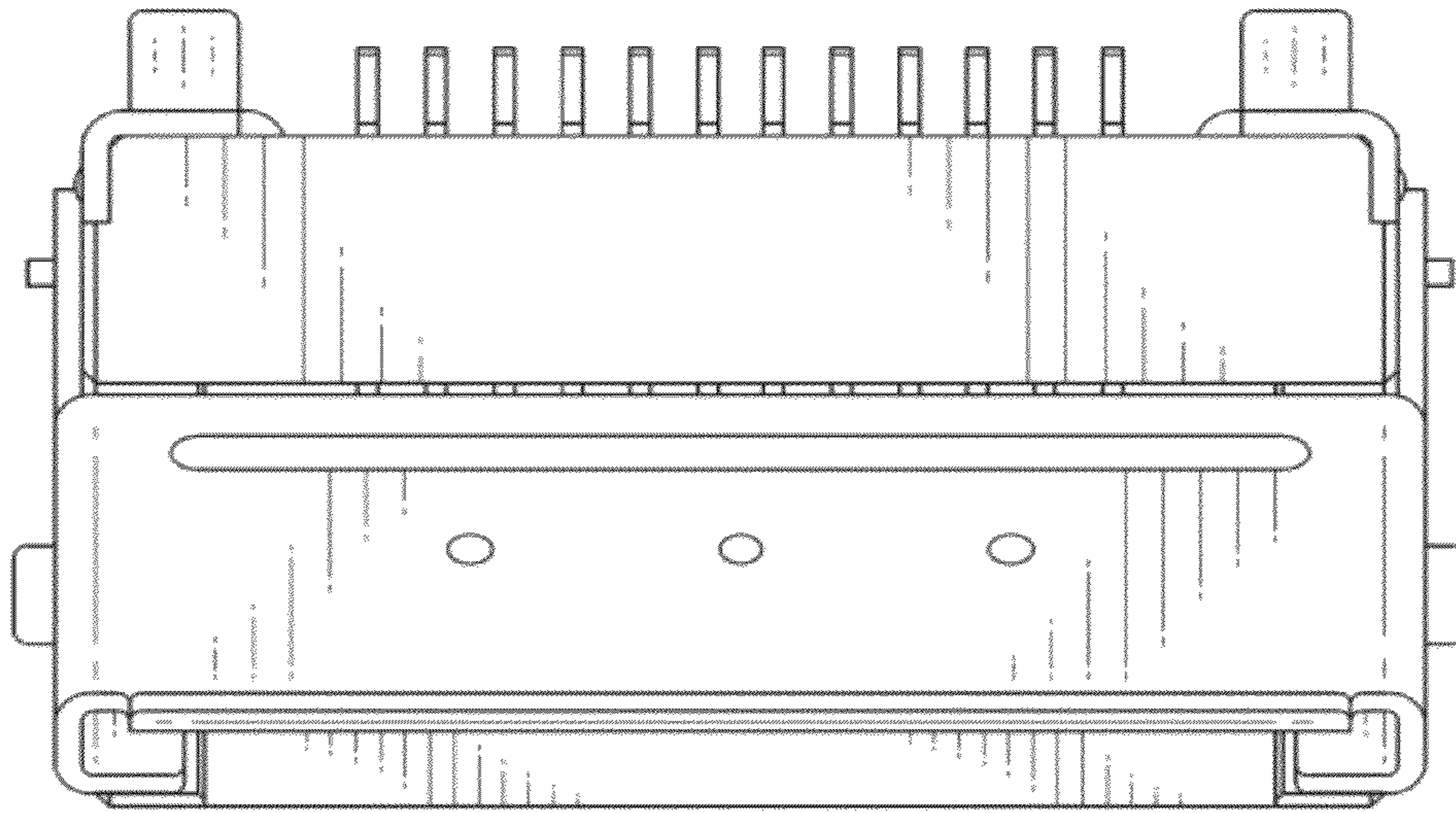


Fig. 15

