

US00D662885S

(12) **United States Design Patent**
Hoffman et al.

(10) **Patent No.:** **US D662,885 S**
(45) **Date of Patent:** **** Jul. 3, 2012**

(54) **ELECTRICAL DEVICE**

(75) Inventors: **Jerry R. Hoffman**, Hickory, NC (US);
Michael D. Williams, Morganton, NC
(US); **Selin Tansi-Glickman**, Woodbury,
NY (US); **Kent D. Pilcher**, Holland, MI
(US); **Joel Van Faasen**, Holland, MI
(US); **Gordon Stannis**, Holland, MI
(US); **Ronald H. Jansen**, Queens, NY
(US); **Adam Kevelos**, Coram, NY (US);
Nehal P. Shah, Westbury, NY (US);
Kenneth J. Orr, West Olive, MI (US)

(73) Assignee: **Analog Devices, Inc.**, Norwood, MA
(US)

(**) Term: **14 Years**

(21) Appl. No.: **29/360,543**

(22) Filed: **Apr. 27, 2010**

(51) **LOC (9) Cl.** **13-03**

(52) **U.S. Cl.** **D13/139.1**

(58) **Field of Classification Search** D13/138.1,
D13/138.2, 139.1–139.8, 137.1–137.4, 133,
D13/107, 108, 110, 146, 147, 154, 174, 177;
D8/353, 350; 363/15, 34, 146; 439/93, 105,
439/106, 535, 620.15, 620.21, 620.3, 620.31,
439/907, 908, 919, 650, 651, 652, 653, 654,
439/655, 692; 174/494, 53, 55, 59, 66; 320/111,
320/114, 115; 307/150, 151

See application file for complete search history.

(56) **References Cited**

U.S. PATENT DOCUMENTS

D269,510	S	6/1983	Doyle et al.	
4,631,354	A	12/1986	Boteler	
D307,578	S *	5/1990	Carson et al.	D13/158
D329,422	S *	9/1992	Fujiyoshi	D13/139.1
D462,661	S *	9/2002	Owens	D13/139.6
D484,392	S	12/2003	Mayo et al.	
D512,377	S	12/2005	Fort et al.	
D517,010	S *	3/2006	Fort et al.	D13/139.3
D523,397	S *	6/2006	Maglionico et al.	D13/137.2
7,102,081	B2	9/2006	Xu et al.	

D535,256	S *	1/2007	Fort et al.	D13/139.3
D558,676	S	1/2008	Fort et al.	
D561,577	S *	2/2008	McConnell	D8/353
D571,729	S	6/2008	Kidman	

(Continued)

OTHER PUBLICATIONS

Cheetah USA Corp., Cheetah Product Catalog, "Introducing a Whole New Concept in Electrical Style, Design and Innovation," 2006-2007, 20 pages.

Primary Examiner — Angela J Lee

(74) Attorney, Agent, or Firm — Marger Johnson & McCollom PC

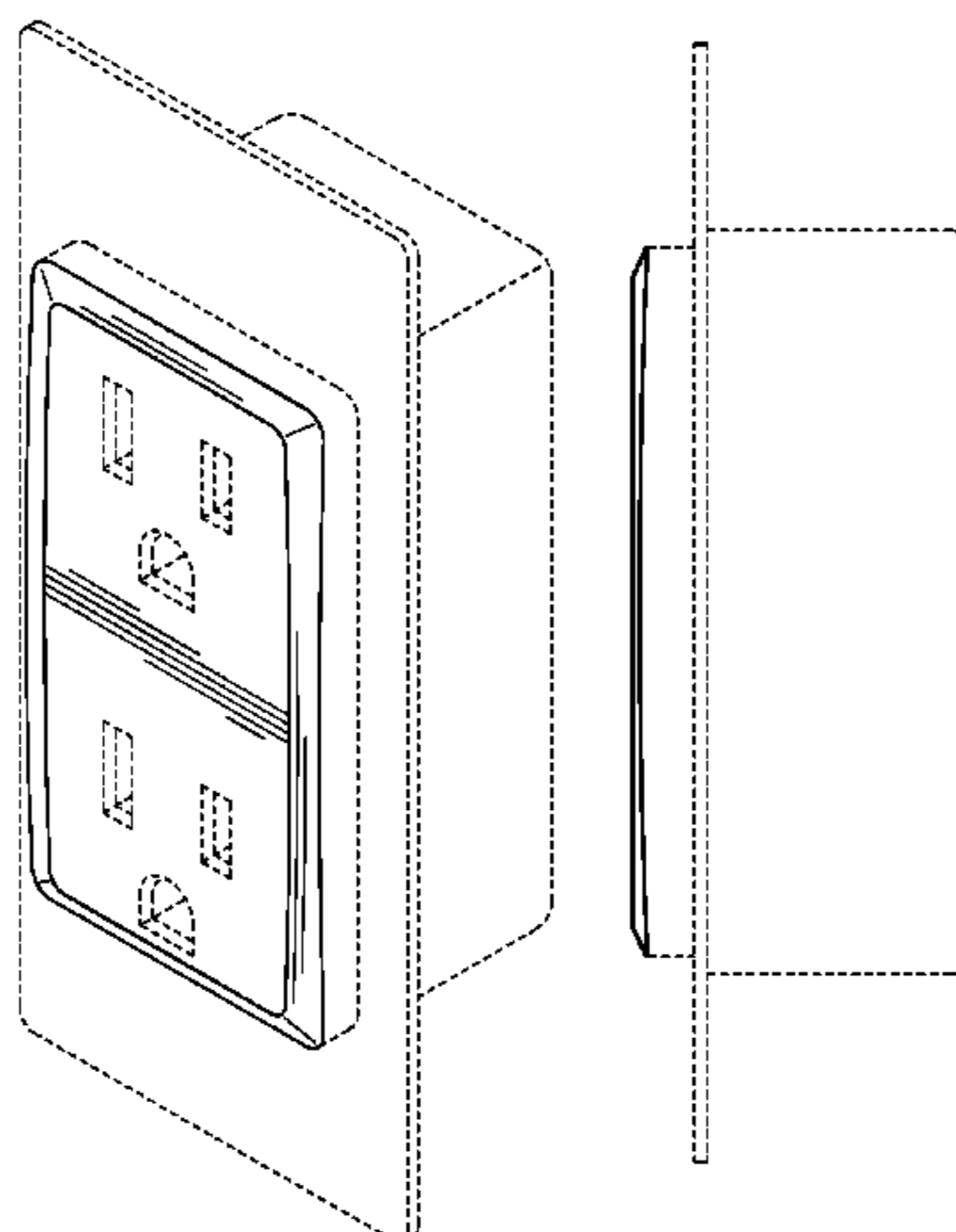
(57) **CLAIM**

The ornamental design for an electrical device, as shown and described.

DESCRIPTION

FIG. 1 is a perspective view of a first embodiment of a design for an electrical device;
 FIG. 2 is a front elevation view thereof;
 FIG. 3 is a bottom plan view thereof;
 FIG. 4 is a right side elevation view thereof.
 FIG. 5 is a perspective view of a second embodiment of a design for an electrical device;
 FIG. 6 is a front elevation view thereof;
 FIG. 7 is a bottom plan view thereof;
 FIG. 8 is a right side elevation view thereof.
 FIG. 9 is a perspective view of a third embodiment of a design for an electrical device;
 FIG. 10 is a front elevation view thereof;
 FIG. 11 is a bottom plan view thereof;
 FIG. 12 is a right side elevation view thereof.
 FIG. 13 is a perspective view of a fourth embodiment of a design for an electrical device;
 FIG. 14 is a front elevation view thereof;
 FIG. 15 is a bottom plan view thereof;
 FIG. 16 is a right side elevation view thereof.
 FIG. 17 is a perspective view of a fourth embodiment of a design for an electrical device;
 FIG. 18 is a front elevation view thereof;
 FIG. 19 is a bottom plan view thereof; and,
 FIG. 20 is a right side elevation view thereof.
 The broken lines shown in the drawings represent portions of the electrical device that form no part of the claimed design.

1 Claim, 15 Drawing Sheets



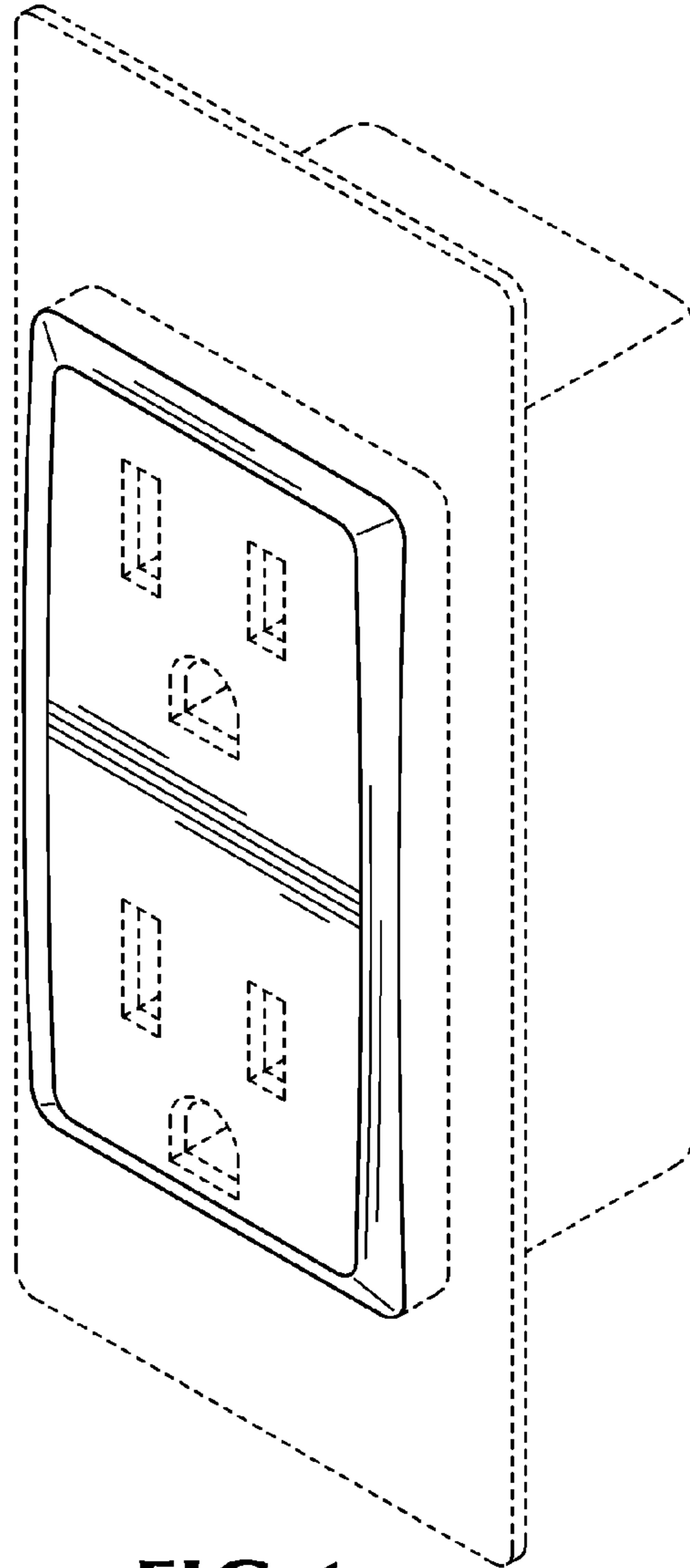


FIG. 1

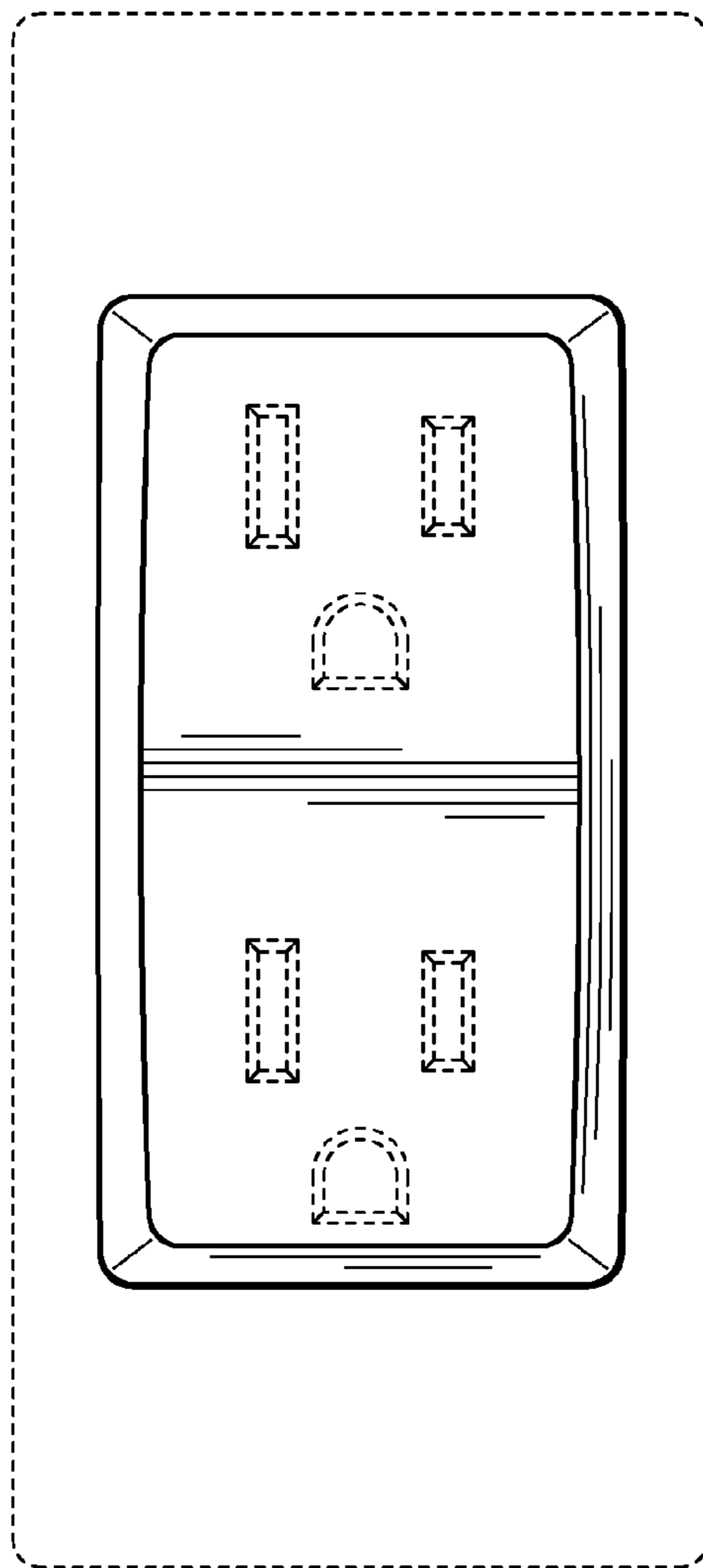


FIG. 2

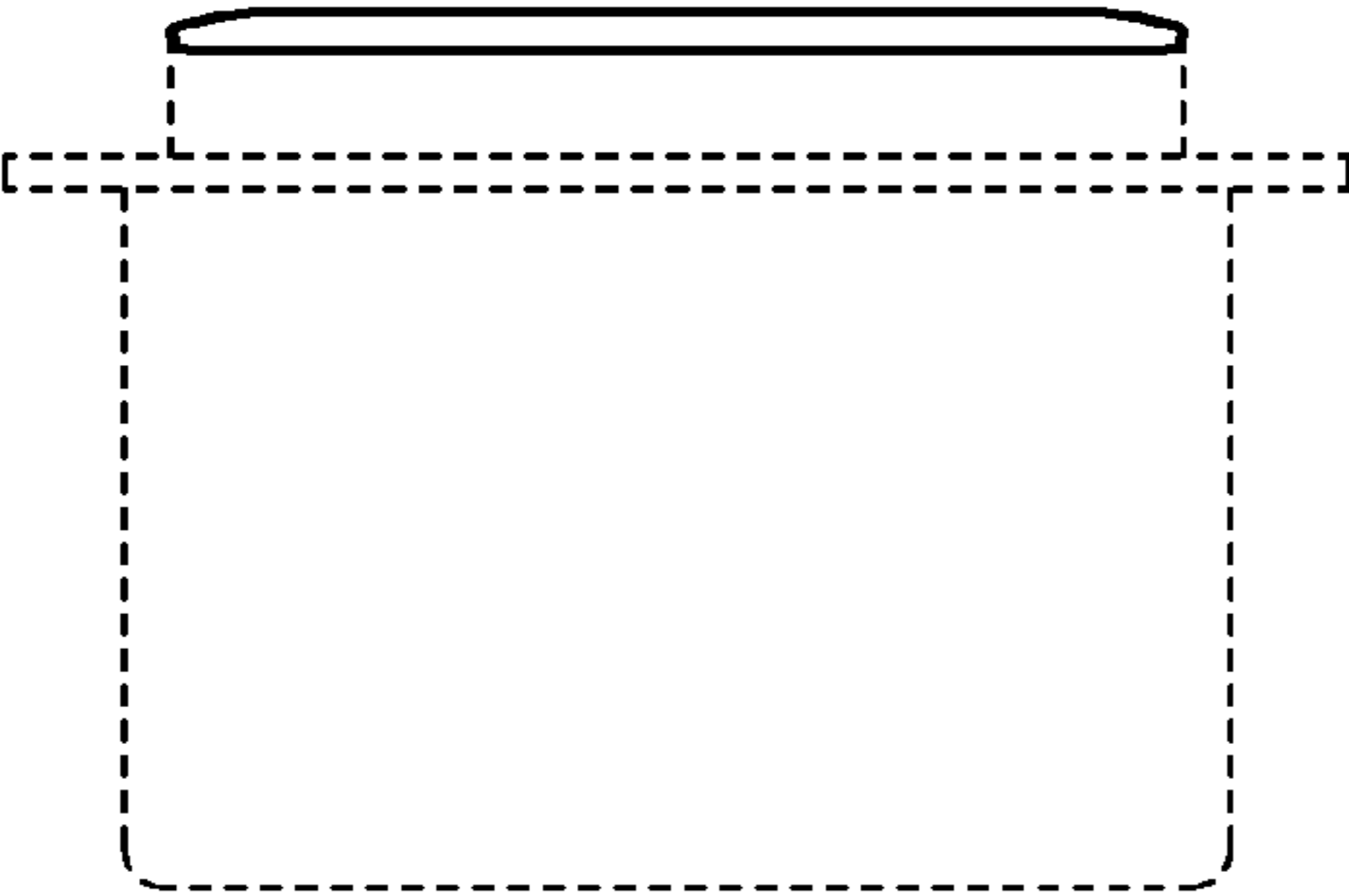


FIG.3

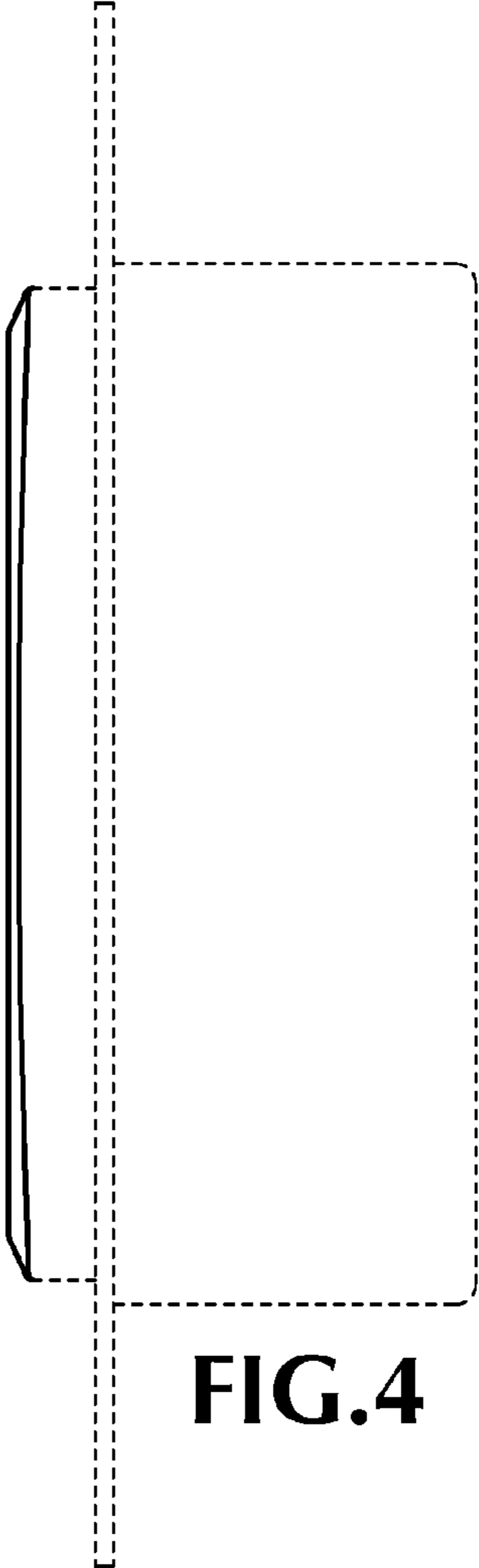


FIG.4

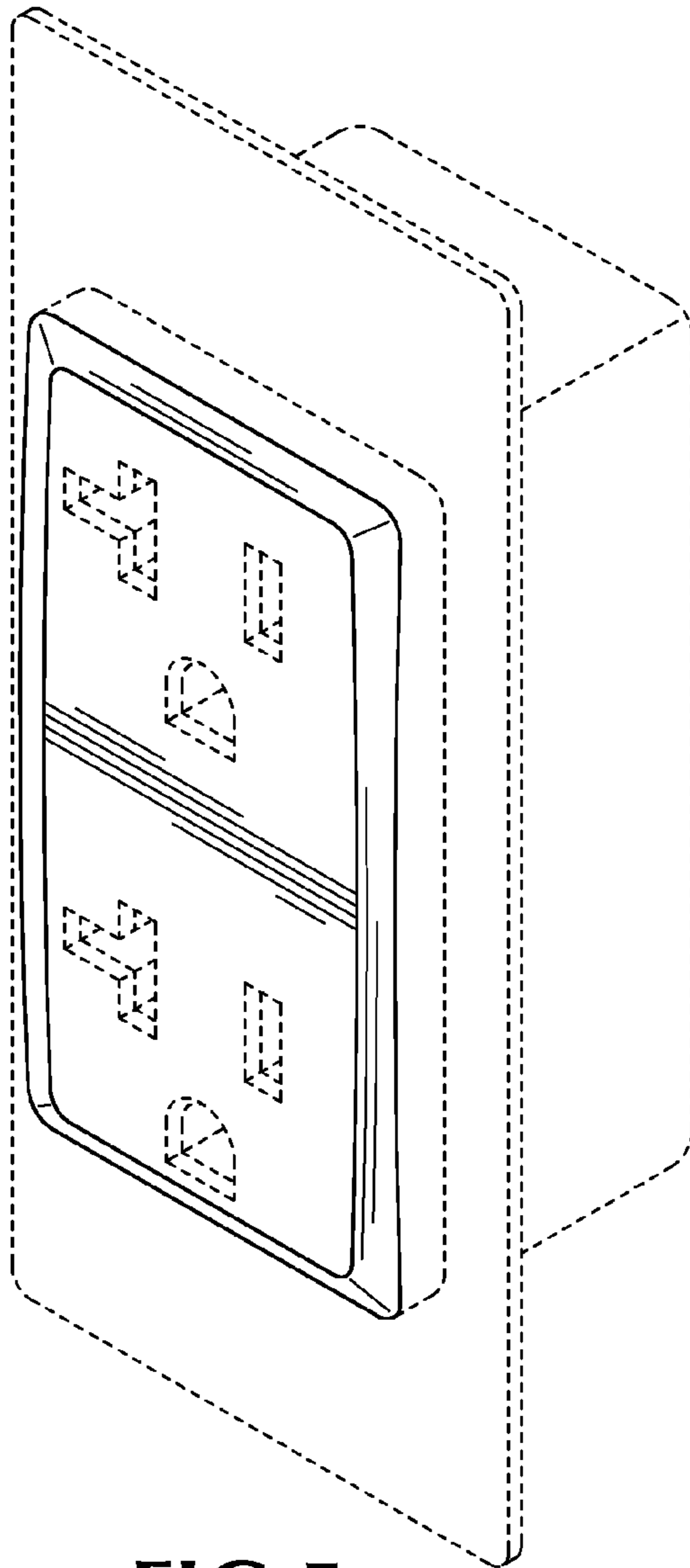


FIG. 5

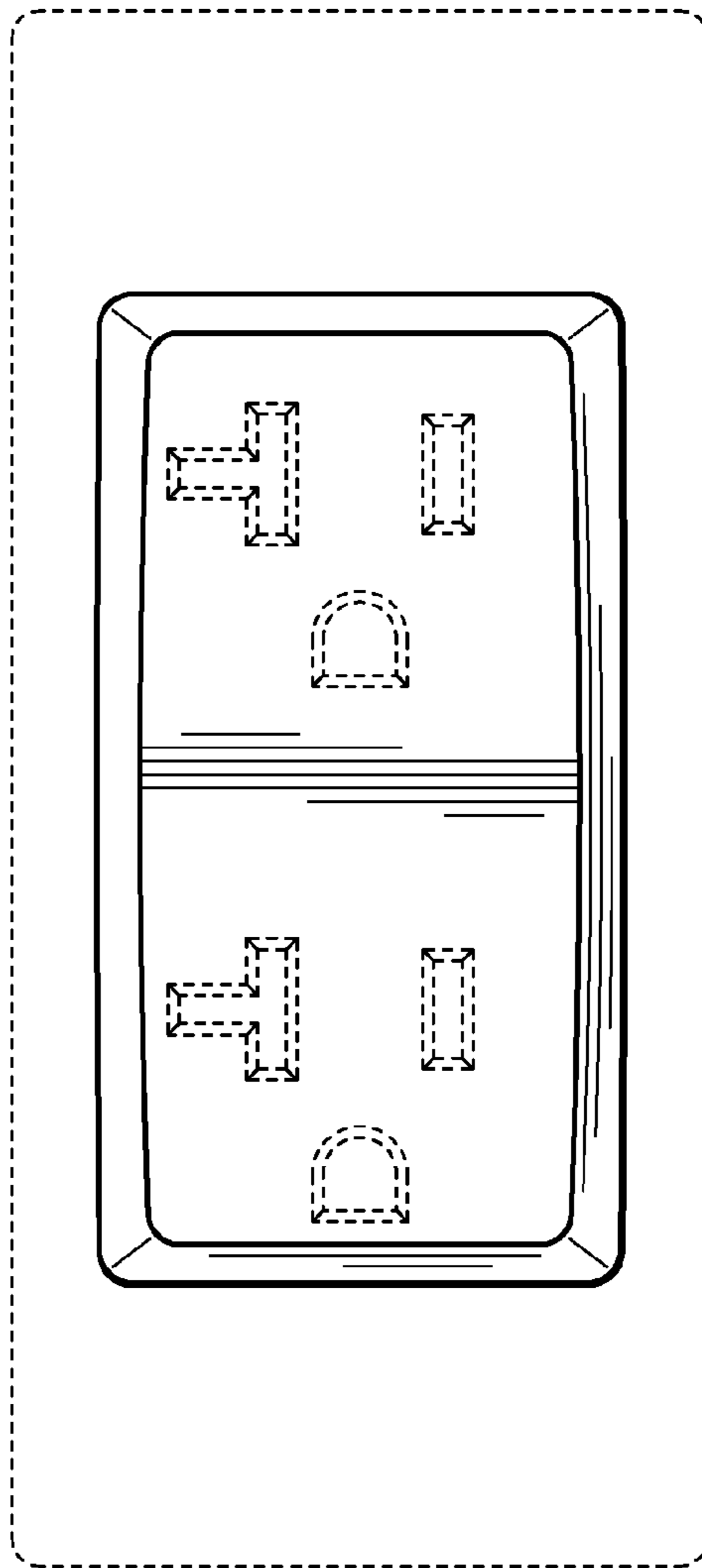


FIG. 6

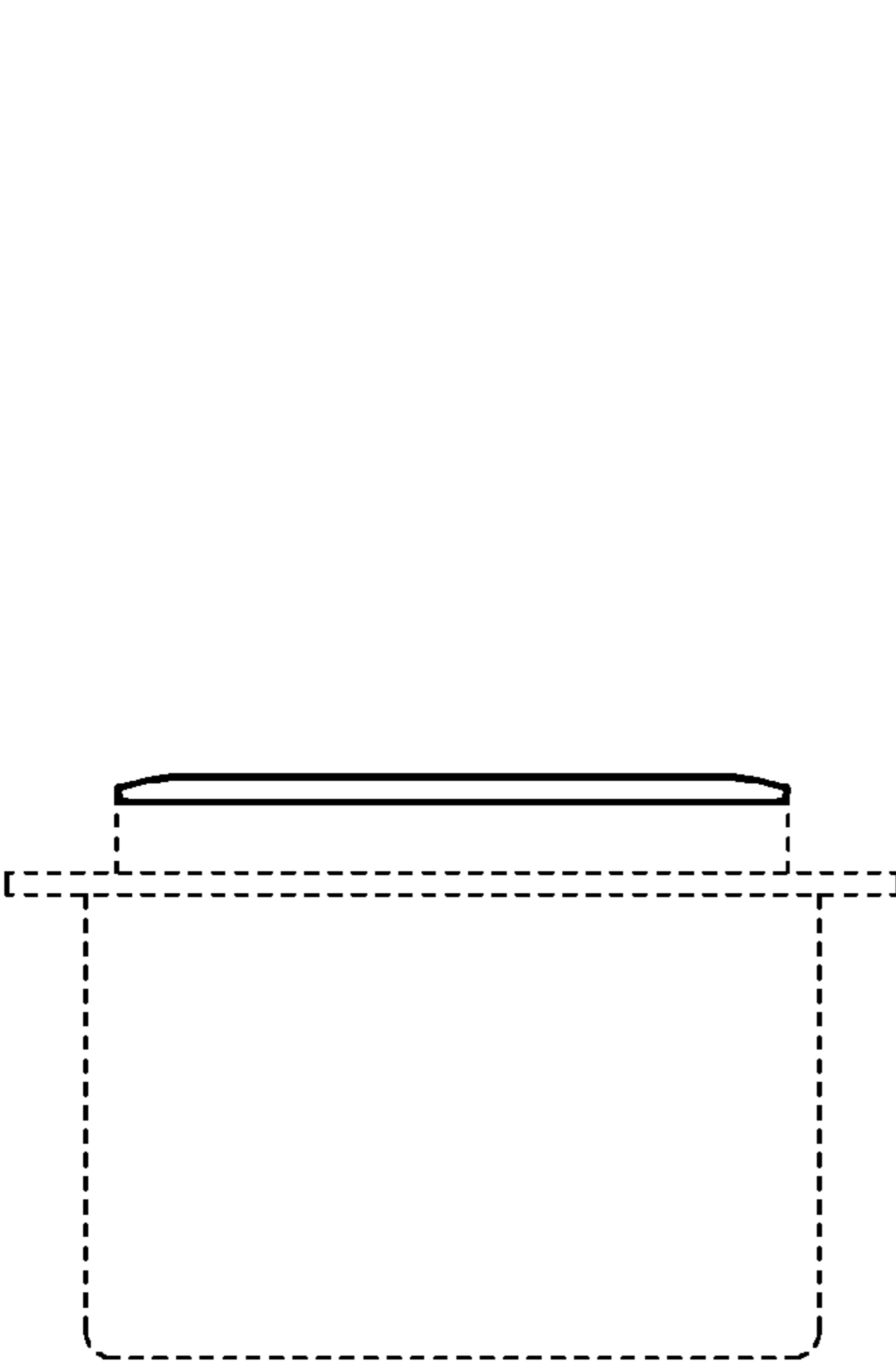


FIG.7

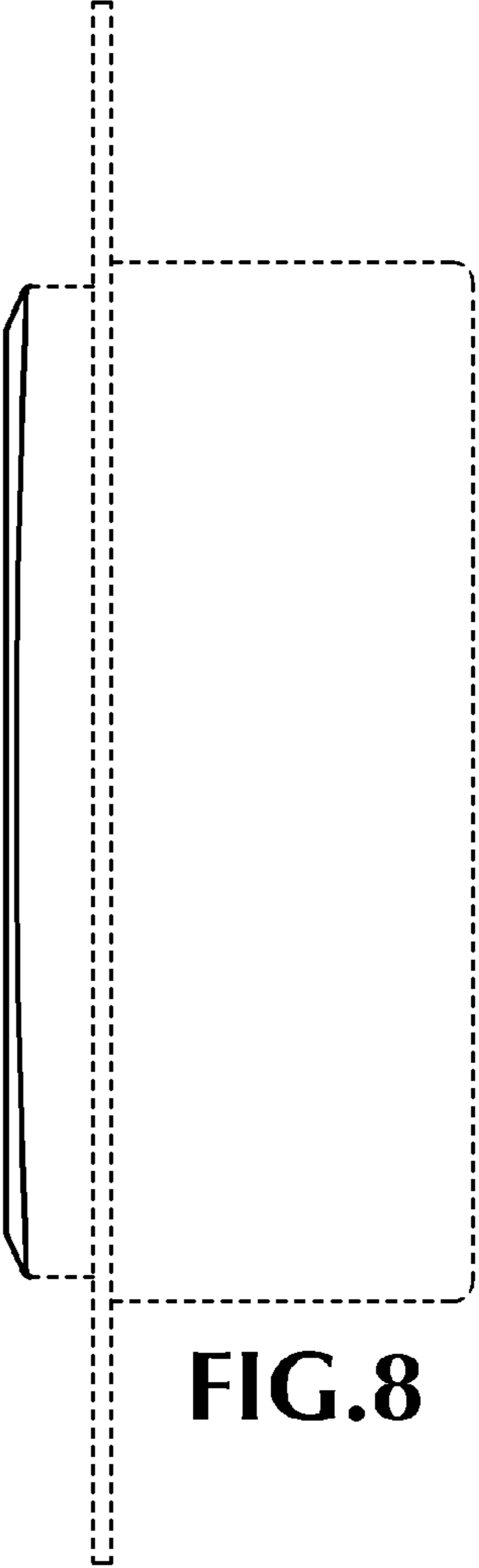


FIG.8

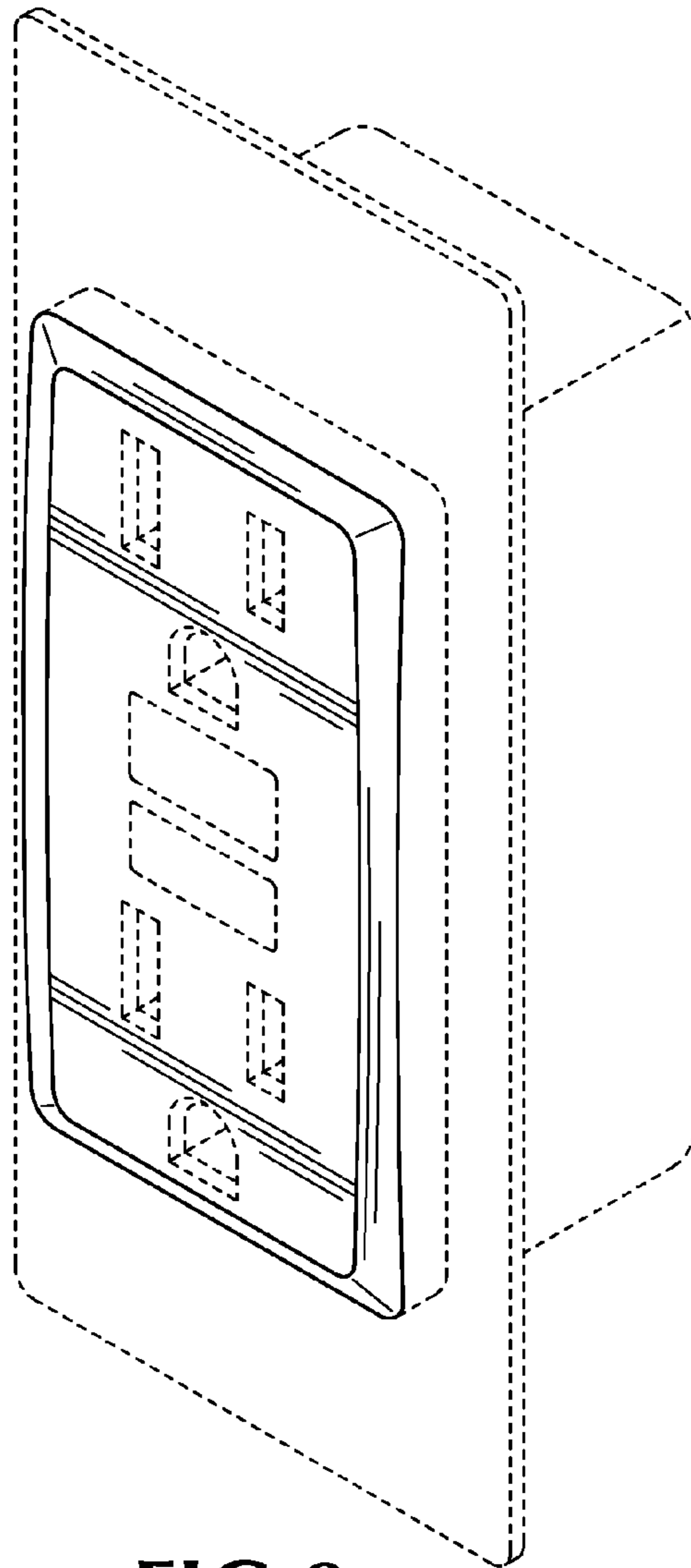


FIG. 9

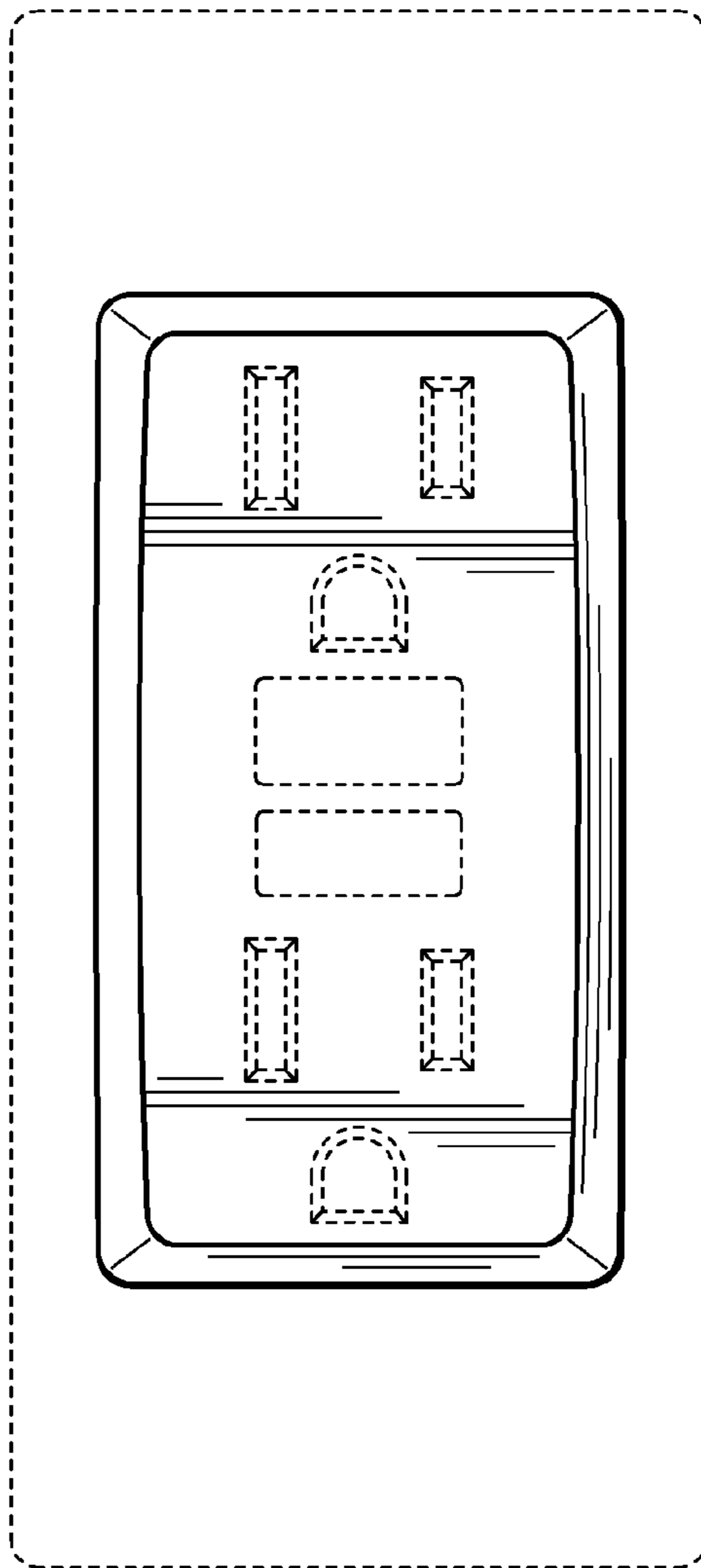


FIG. 10

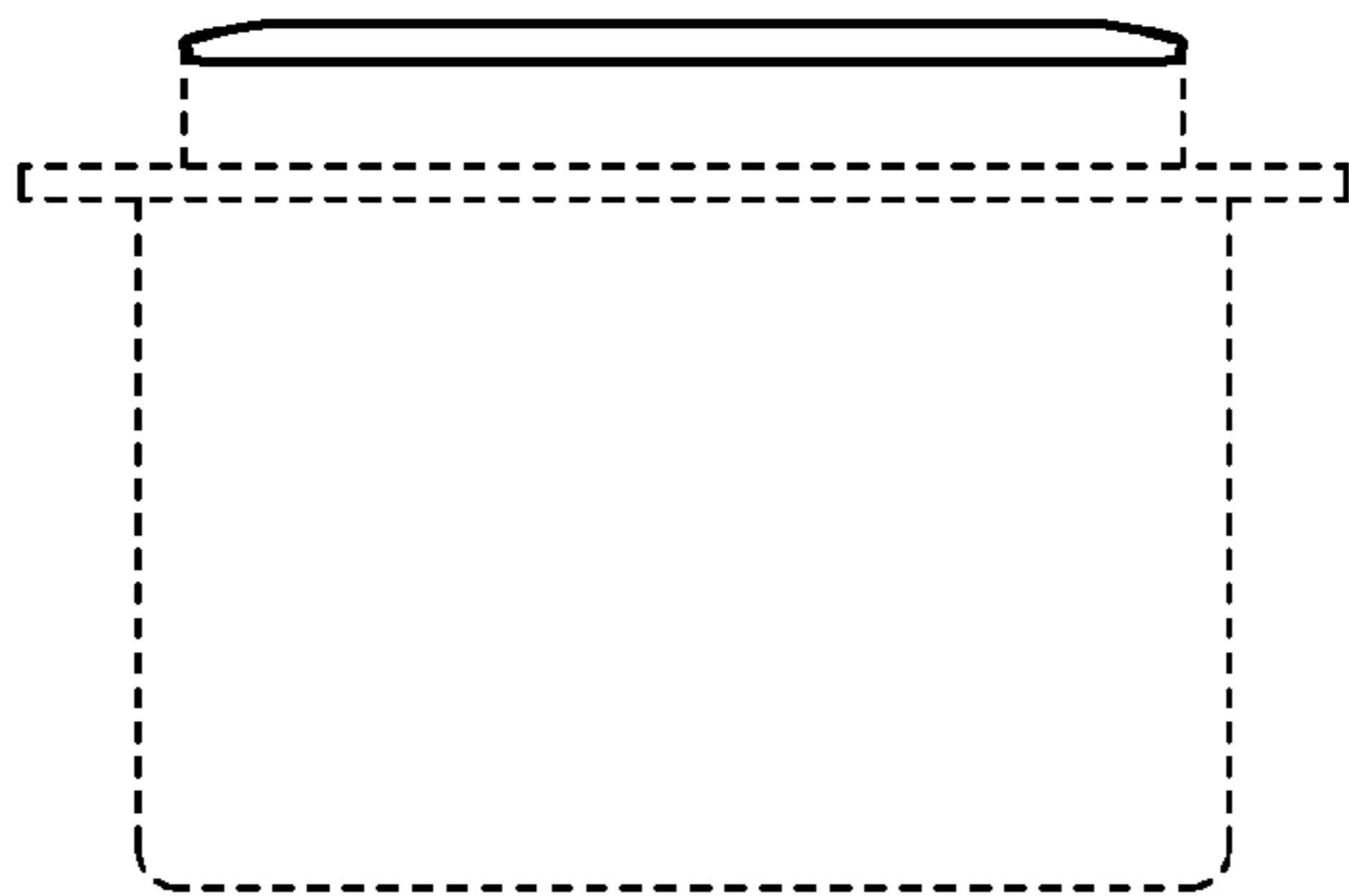


FIG. 11

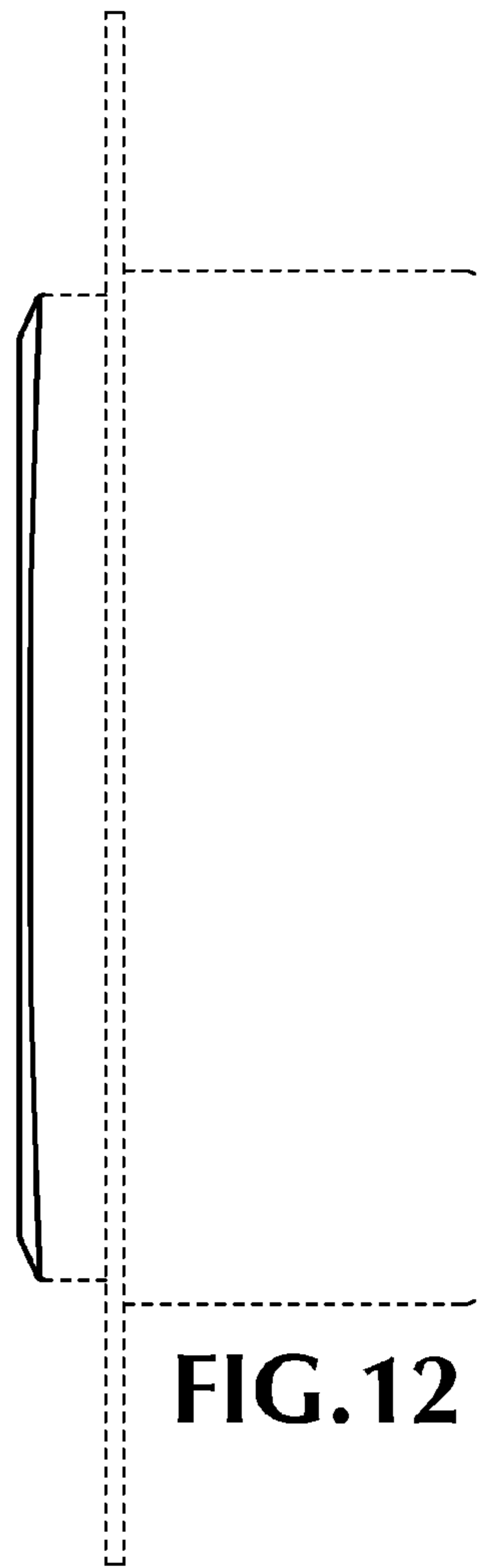


FIG. 12

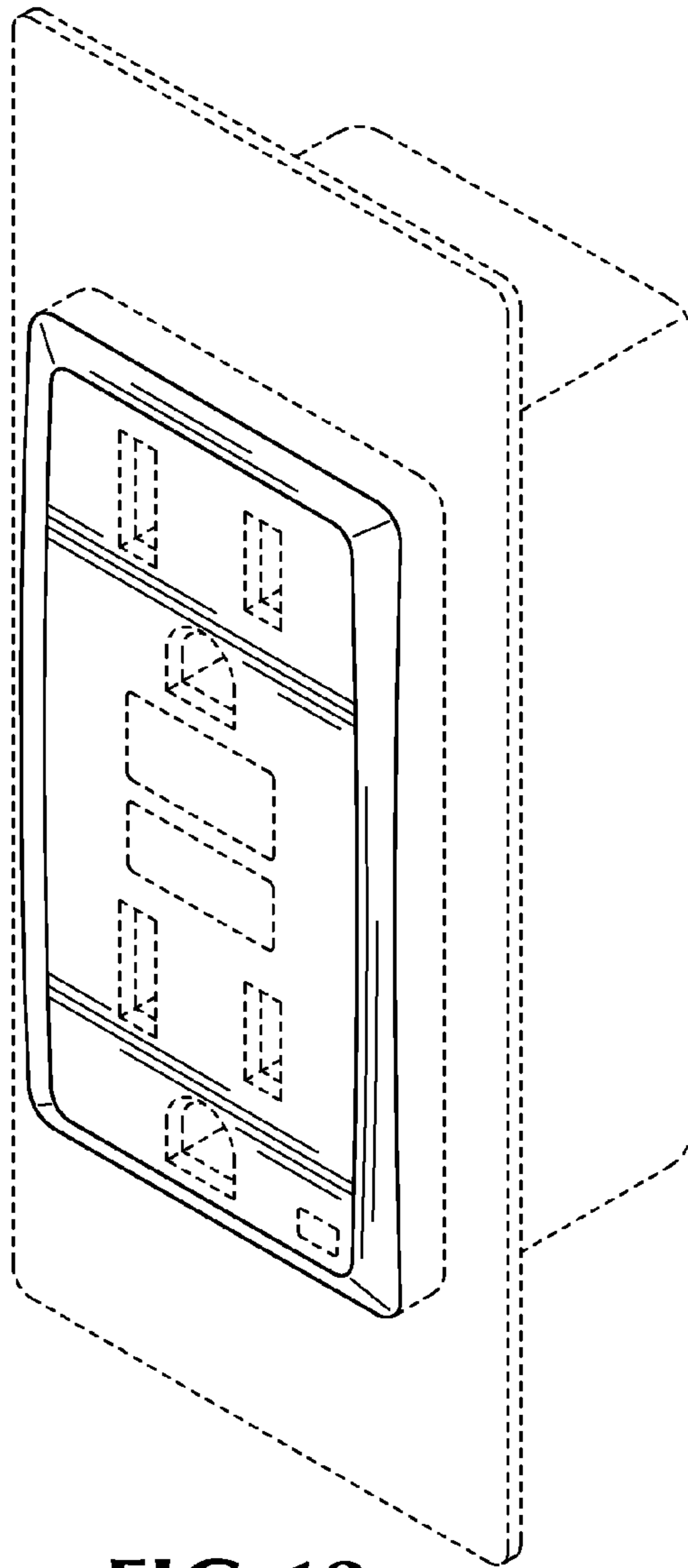


FIG. 13

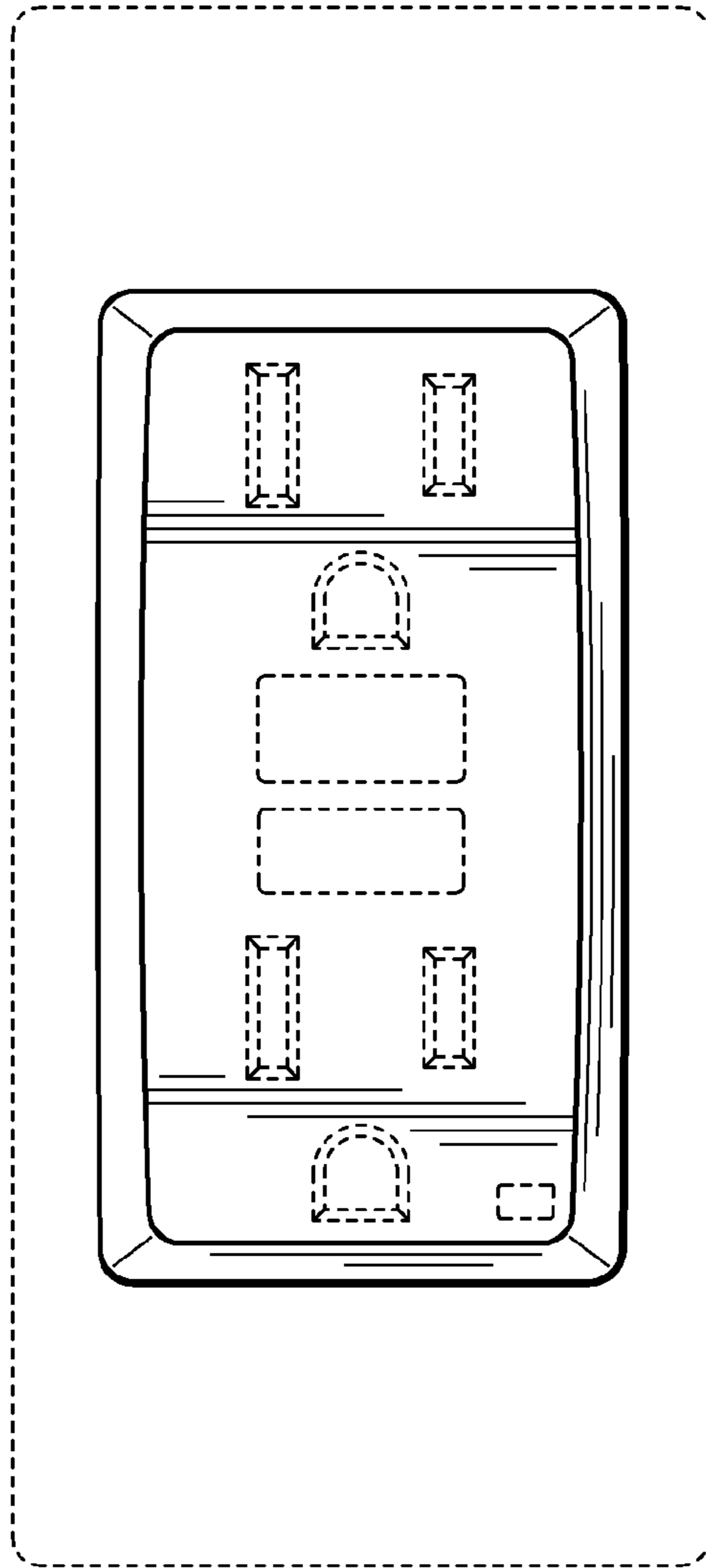


FIG. 14

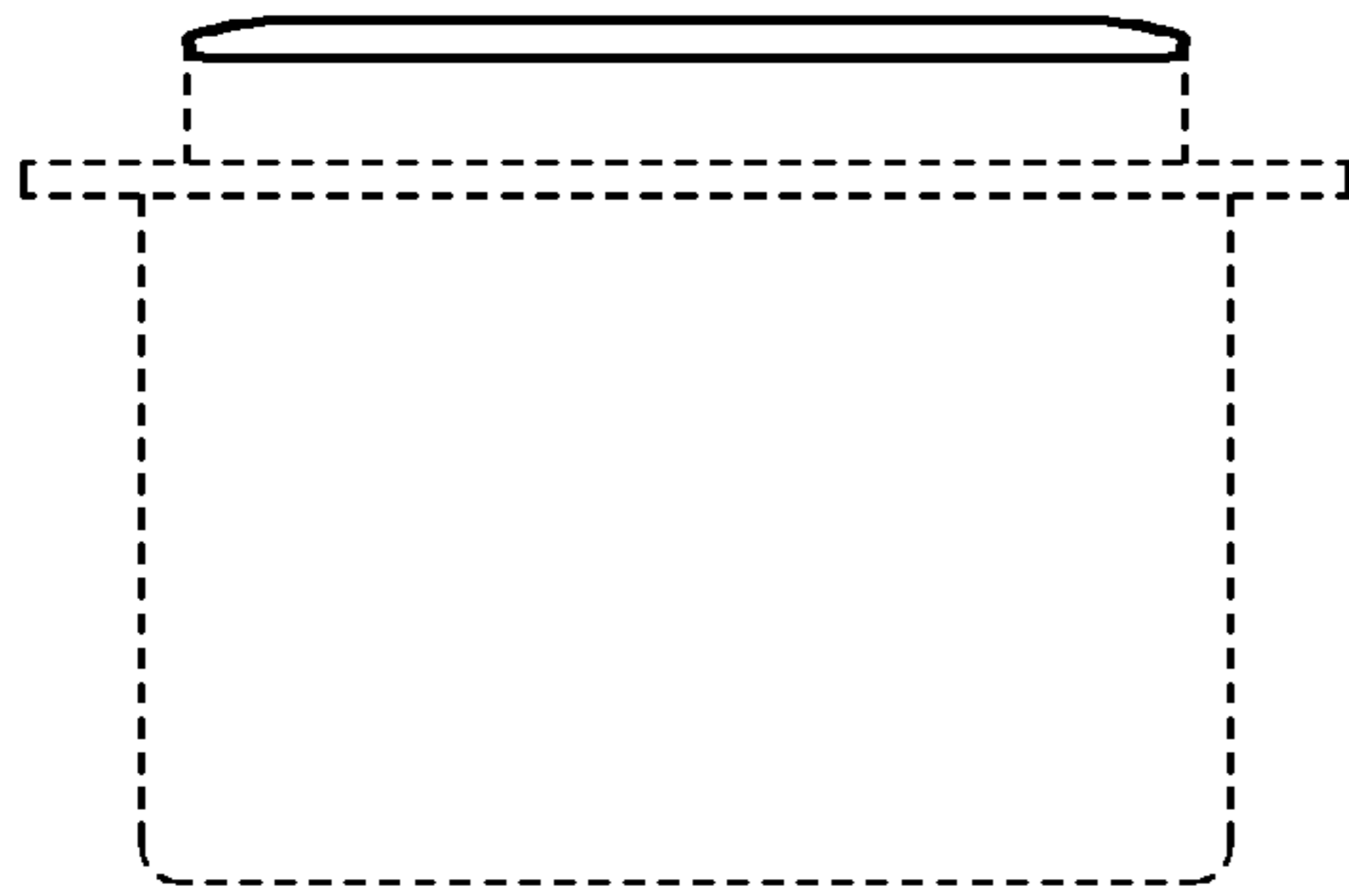


FIG. 15

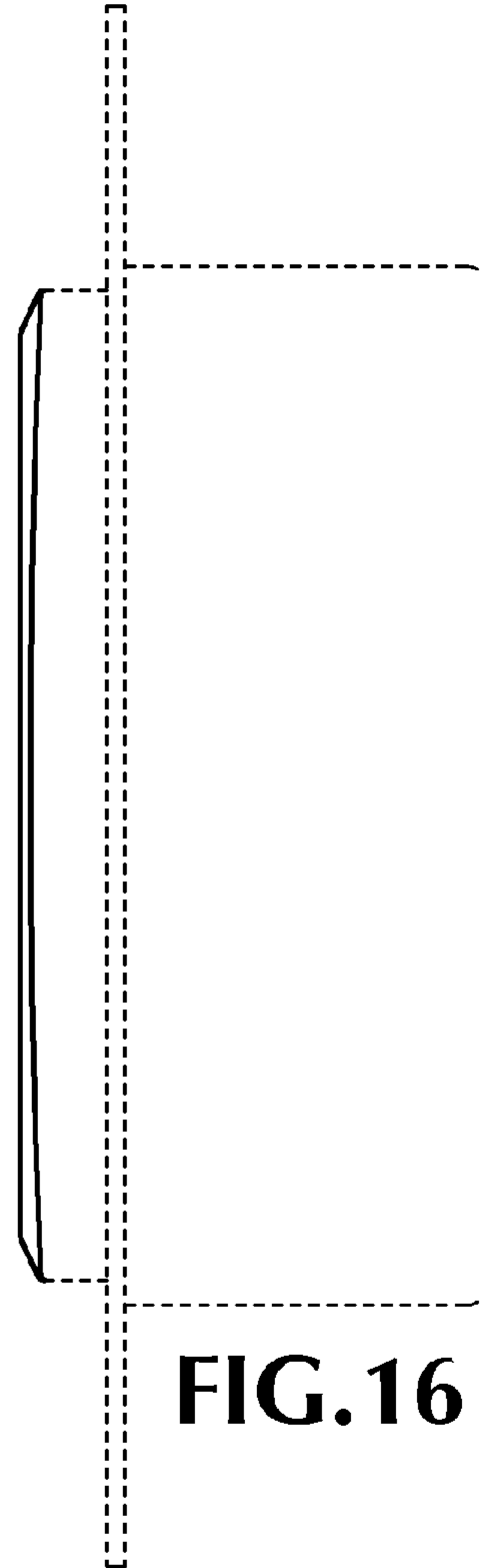


FIG. 16

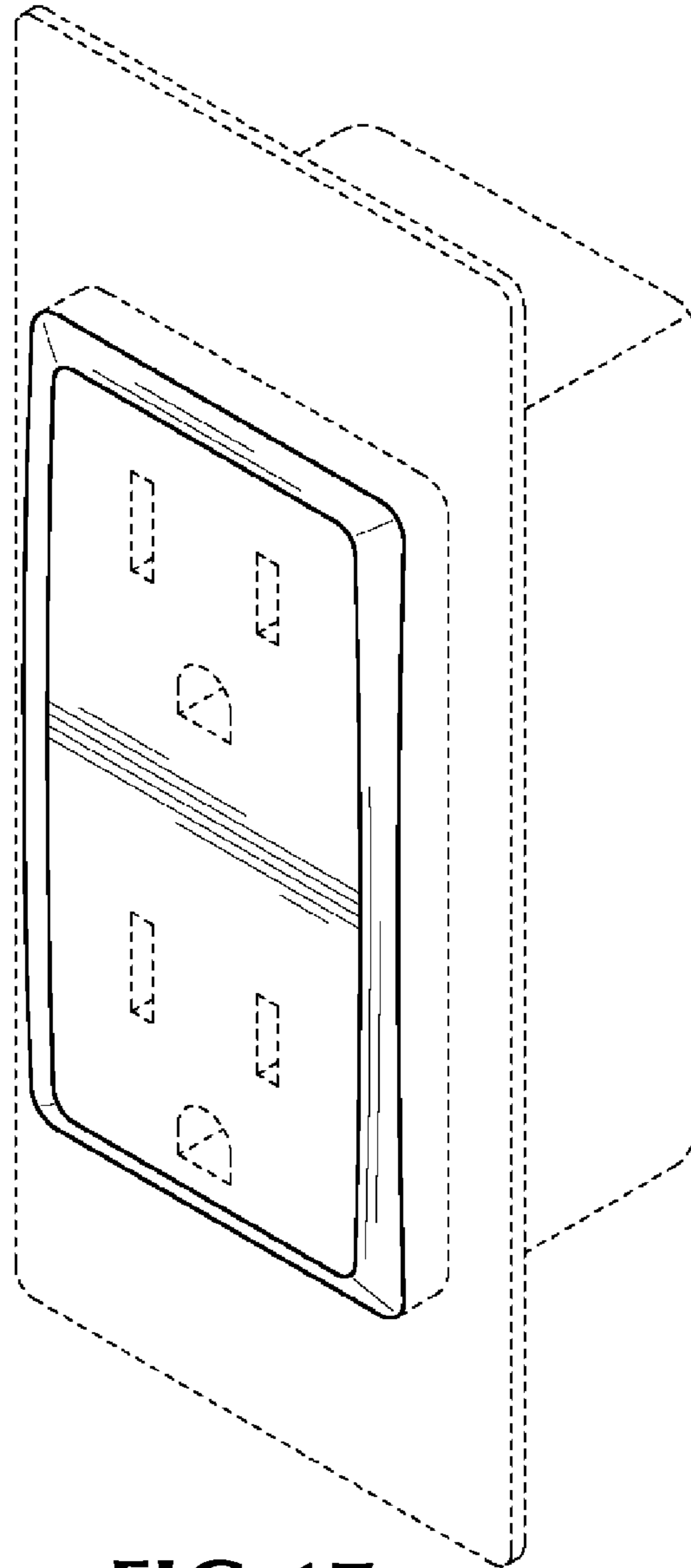


FIG. 17

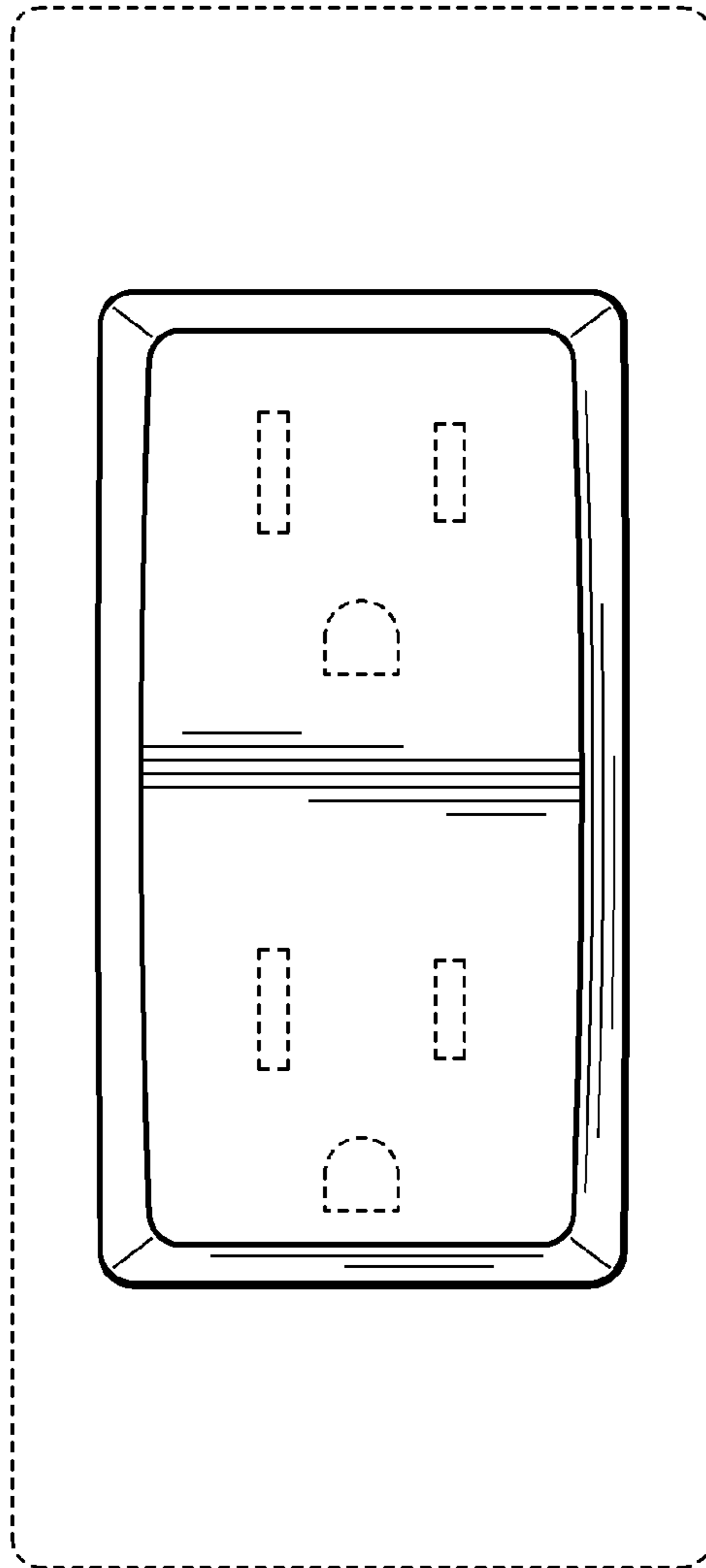


FIG. 18

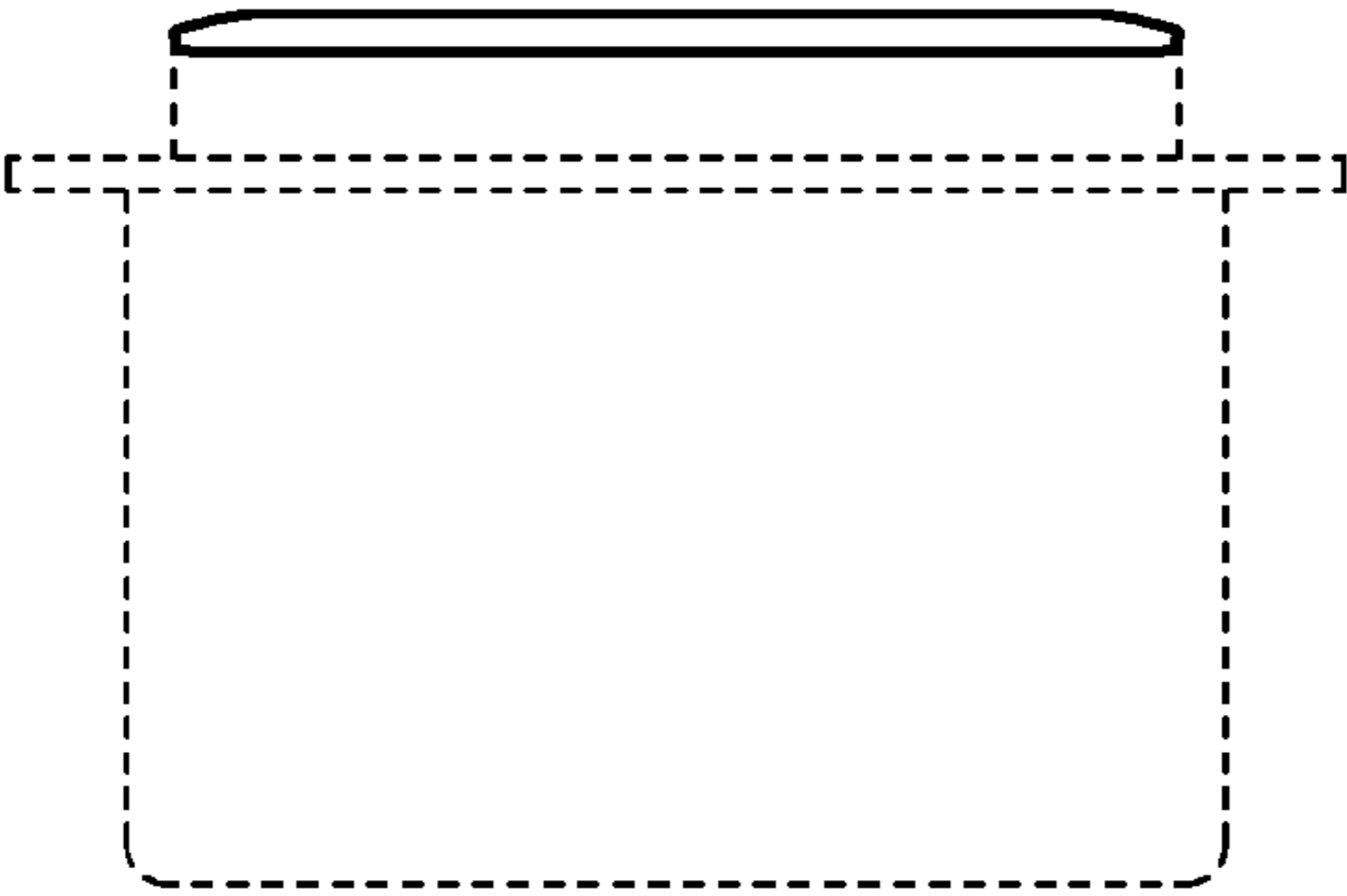


FIG.19

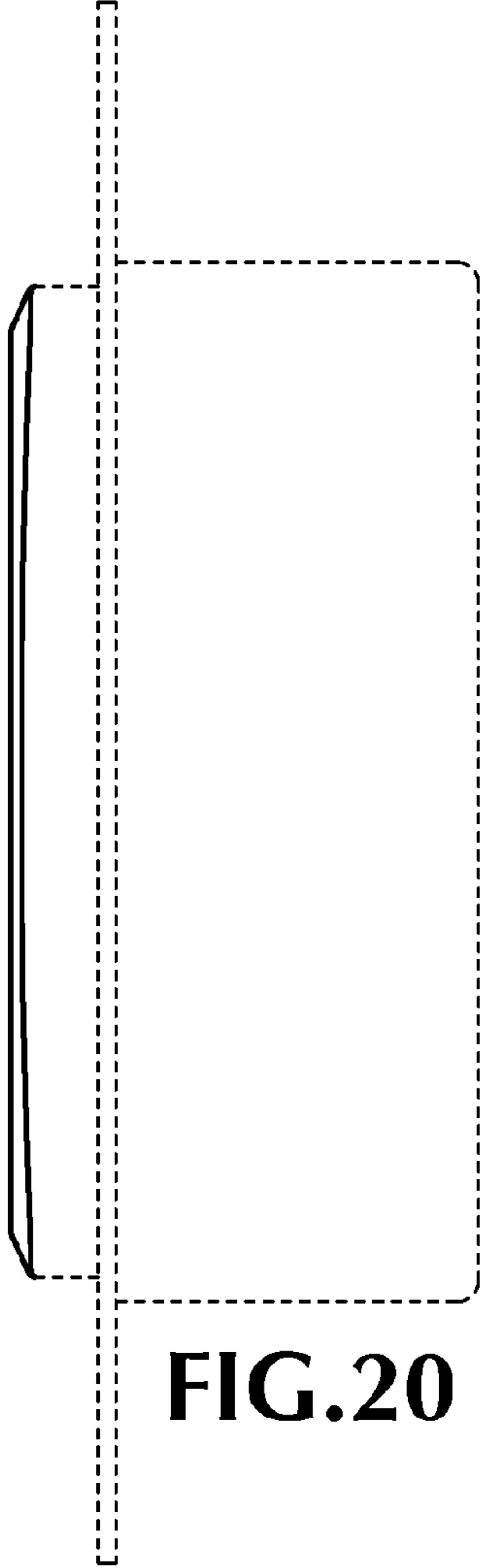


FIG.20

UNITED STATES PATENT AND TRADEMARK OFFICE
CERTIFICATE OF CORRECTION

PATENT NO. : D662,885 S
APPLICATION NO. : 29/360543
DATED : July 3, 2012
INVENTOR(S) : Jerry R. Hoffman et al.

Page 1 of 1

It is certified that error appears in the above-identified patent and that said Letters Patent is hereby corrected as shown below:

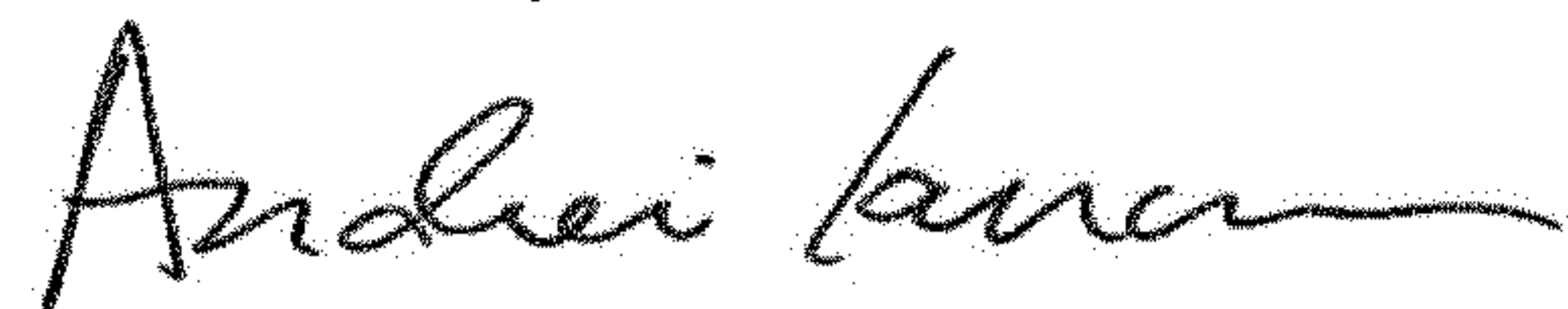
On the Title Page

At (73) Assignee:

Error Reads: Analog Devices, Inc., Norwood, MA

Correction Reads: Leviton Manufacturing Co., Inc., Melville, NY

Signed and Sealed this
Tenth Day of December, 2019



Andrei Iancu
Director of the United States Patent and Trademark Office