



US00D662883S

(12) **United States Design Patent**
Mizuta

(10) **Patent No.:** **US D662,883 S**

(45) **Date of Patent:** **** Jul. 3, 2012**

(54) **IGNITION COIL**

(75) Inventor: **Haruhiko Mizuta**, Kanzaki-gun (JP)

(73) Assignee: **Ikeda Denso Co., Ltd.**, Fukusaki-chyo (JP)

(**) Term: **14 Years**

(21) Appl. No.: **29/365,666**

(22) Filed: **Jul. 13, 2010**

(30) **Foreign Application Priority Data**

Feb. 2, 2010 (JP) 2010-002371

(51) **LOC (9) Cl.** **13-03**

(52) **U.S. Cl.** **D13/126**

(58) **Field of Classification Search** D13/126,
D13/101, 118, 130, 183, 199; 123/634; 250/231.12;
336/83, 90, 92, 96, 160, 178, 192, 198, 200;
D15/199

See application file for complete search history.

(56) **References Cited**

U.S. PATENT DOCUMENTS

D258,358 S *	2/1981	Iyoda et al.	D13/117
D308,871 S *	6/1990	Harkness et al.	D15/1
D395,658 S *	6/1998	Arens	D15/5
D397,992 S *	9/1998	Shimomura et al.	D13/112
D442,547 S *	5/2001	Takebuchi et al.	D13/117
D451,469 S *	12/2001	Tripp	D13/117
D463,364 S *	9/2002	Arens	D13/117
D586,745 S *	2/2009	Shibata et al.	D13/117
D596,563 S *	7/2009	Kitajima et al.	D13/117
D602,866 S *	10/2009	Harada	D13/122
D630,164 S *	1/2011	Kudo et al.	D13/117

* cited by examiner

Primary Examiner — Thomas Johannes

(74) *Attorney, Agent, or Firm* — Kratz, Quintos & Hanson, LLP

(57) **CLAIM**

The ornamental design for an ignition coil, as shown and described.

DESCRIPTION

FIG. 1 is a front view of an ignition coil showing my new design;

FIG. 2 is a rear view thereof;

FIG. 3 is a top view thereof;

FIG. 4 is a bottom view thereof;

FIG. 5 is a right side view thereof;

FIG. 6 is a left side view thereof;

FIG. 7 is a cross-sectional view taken in the direction of line 7-7 of FIG. 3;

FIG. 8 is a cross-sectional view taken in the direction of line 8-8 of FIG. 3;

FIG. 9 is a cross-sectional view taken in the direction of line 9-9 of FIG. 1;

FIG. 10 is a cross-sectional view taken in the direction of line 10-10 of FIG. 1;

FIG. 11 is a cross-sectional view taken in the direction of line 11-11 of FIG. 1;

FIG. 12 is a cross-sectional view taken in the direction of line 12-12 of FIG. 1;

FIG. 13 is a cross-sectional view taken in the direction of line 13-13 of FIG. 1;

FIG. 14 is a cross-sectional view taken in the direction of line 14-14 of FIG. 1;

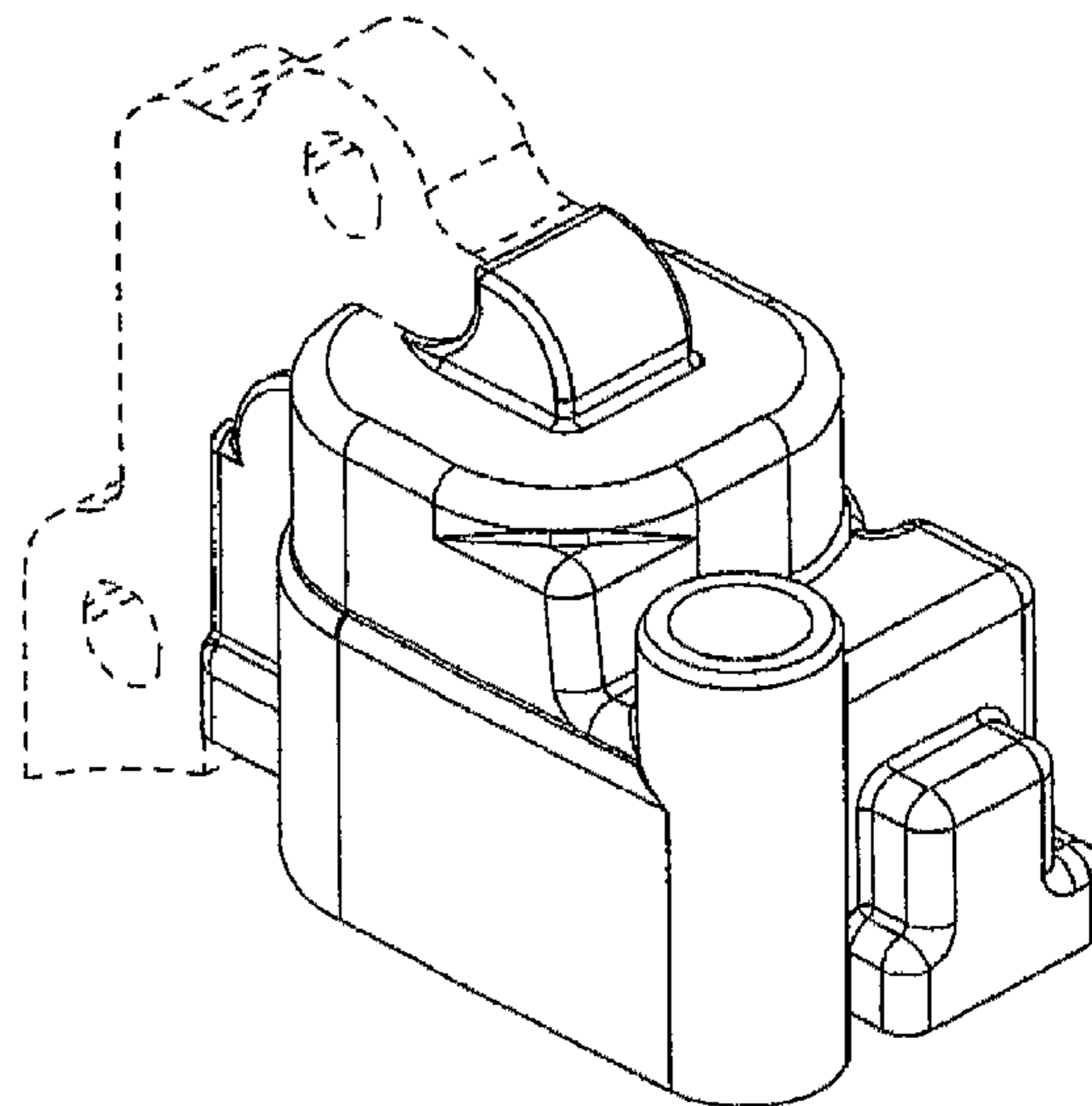
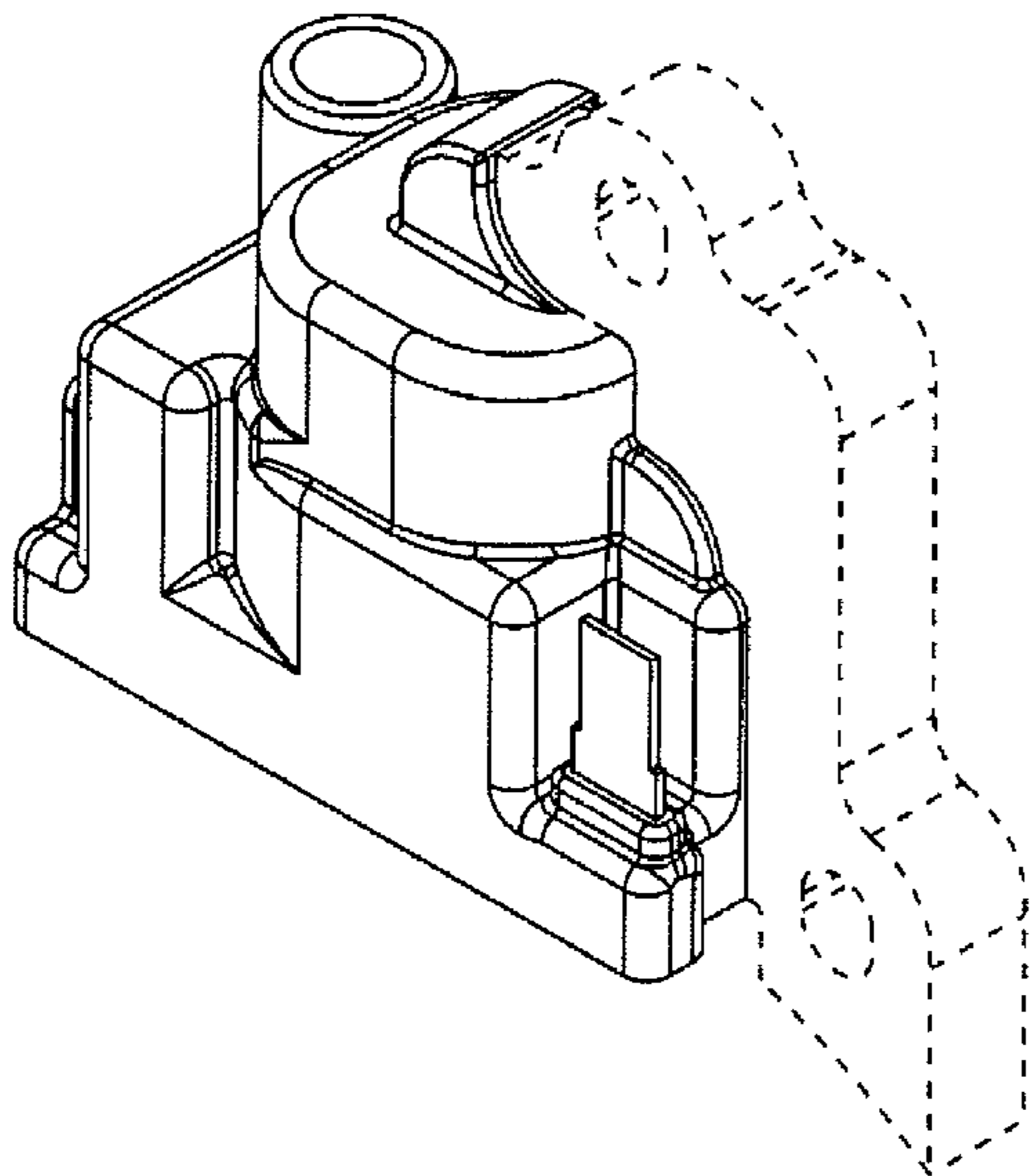
FIG. 15 is a cross-sectional view taken in the direction of line 15-15 of FIG. 1;

FIG. 16 is a perspective front, top and right view; and,

FIG. 17 is a perspective rear, top and right view.

The broken line drawing of an ignition coil in all views shows unclaimed subject matter only and forms no part of the claimed design.

1 Claim, 9 Drawing Sheets



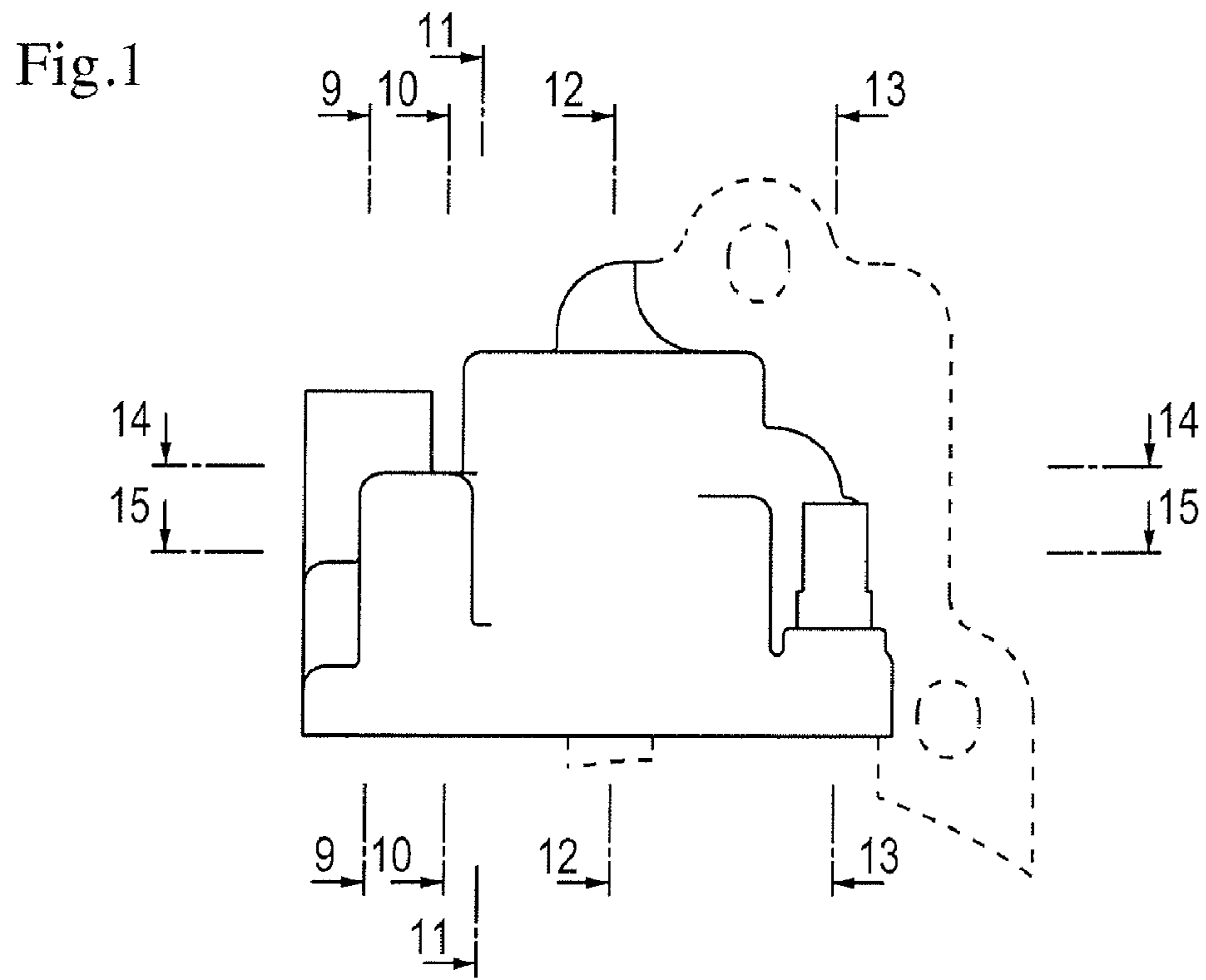


Fig.2

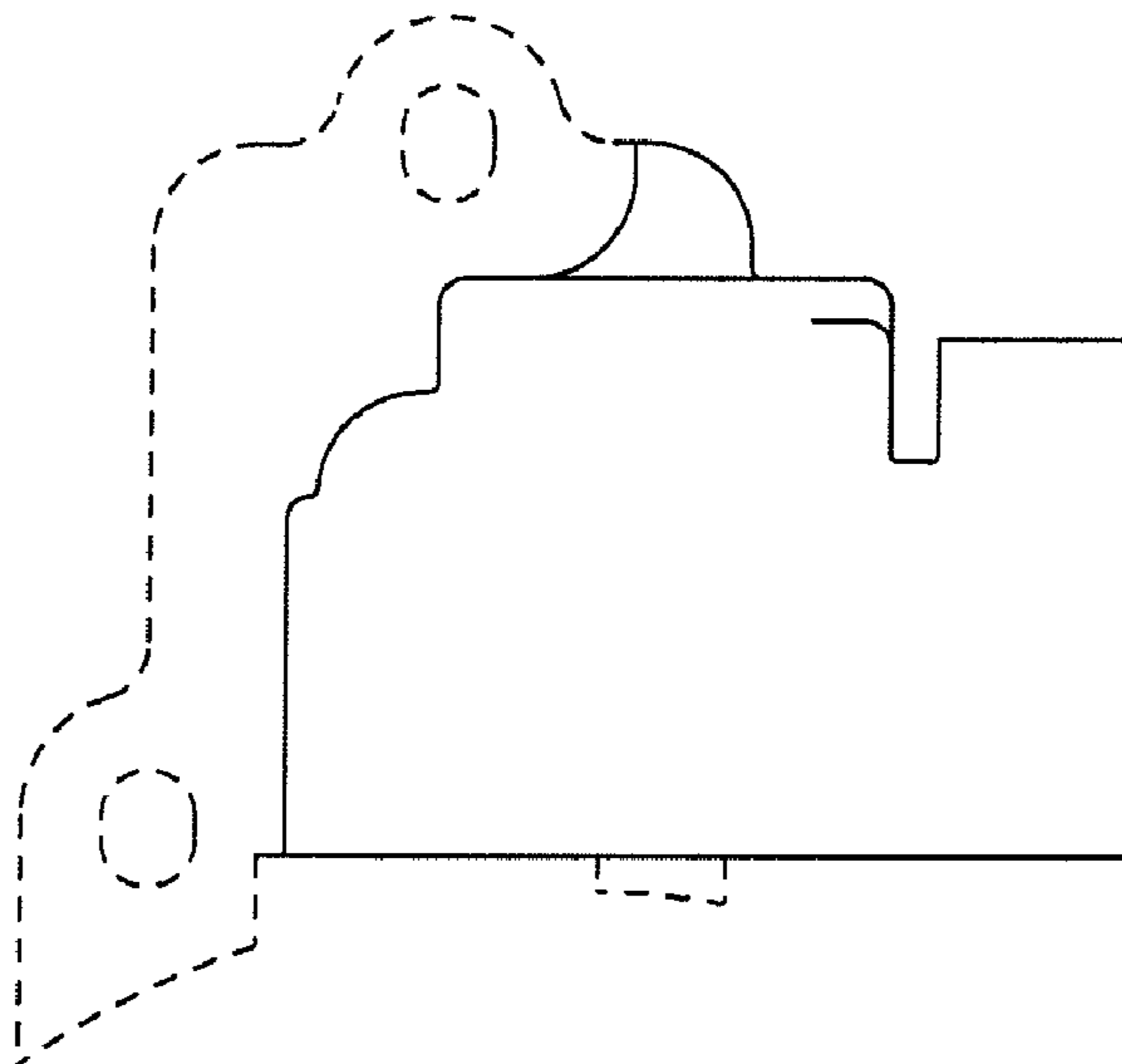


Fig.3

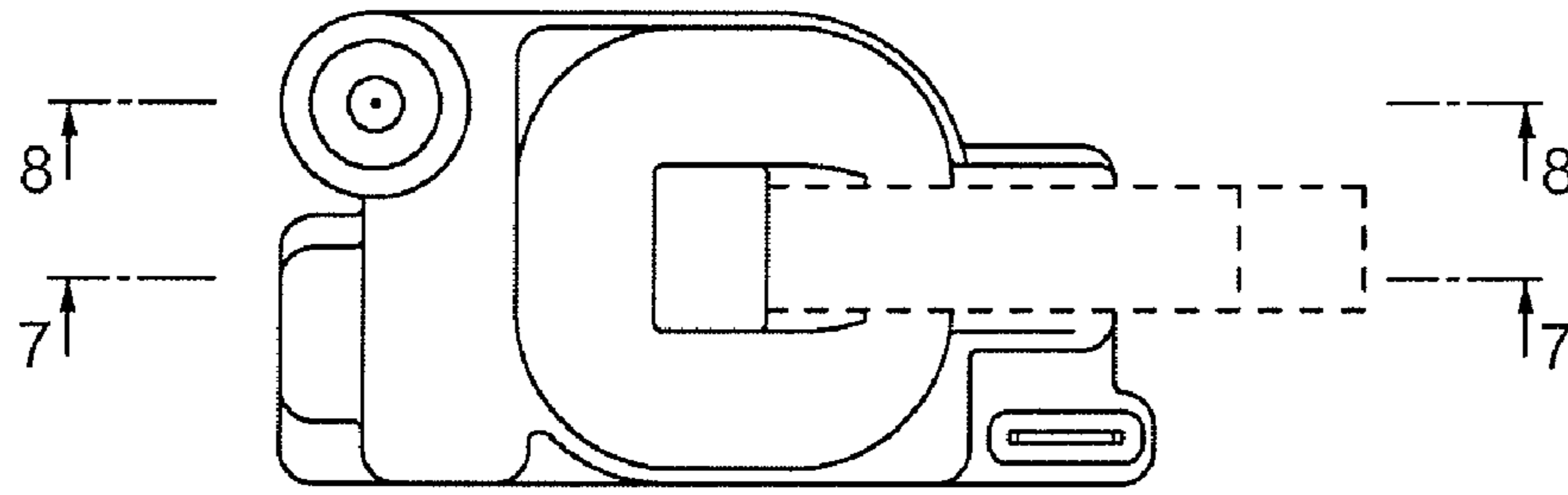


Fig.4

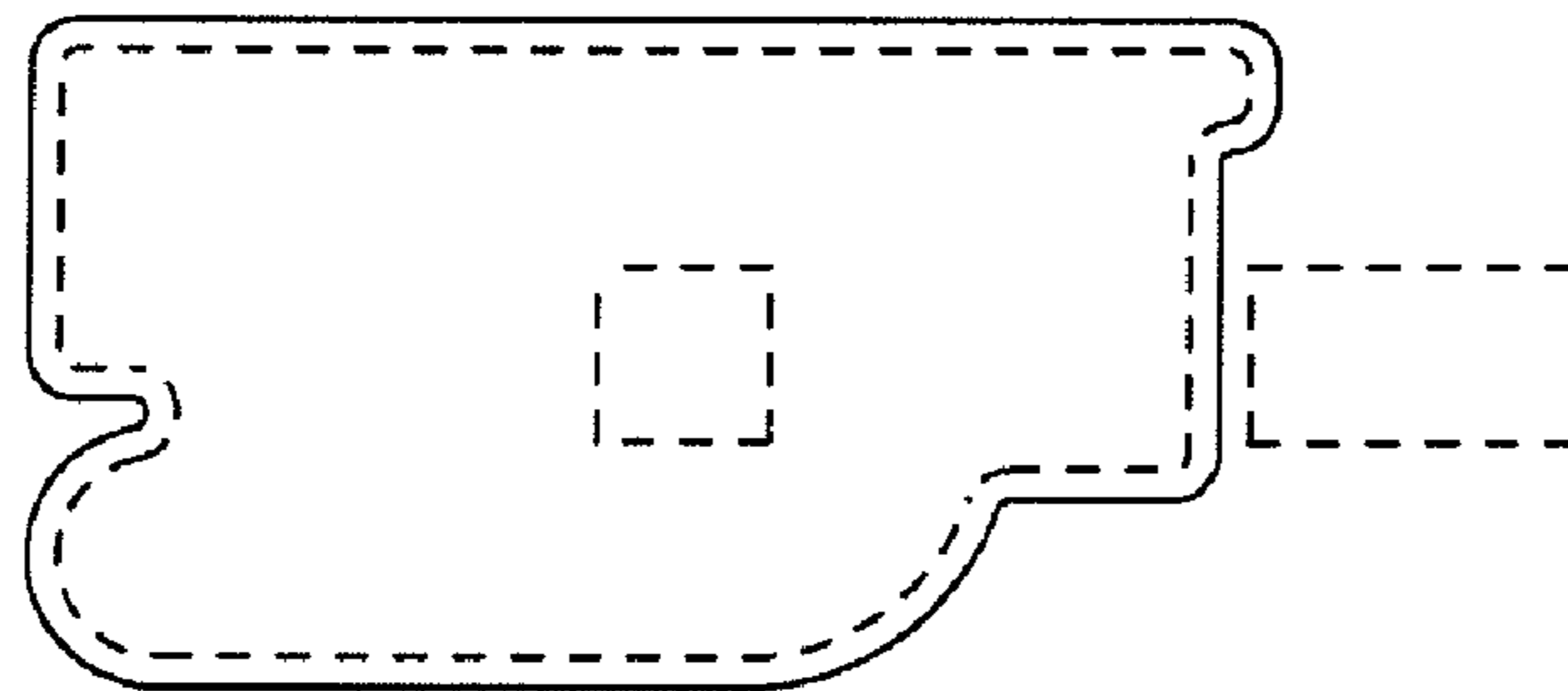


Fig.5

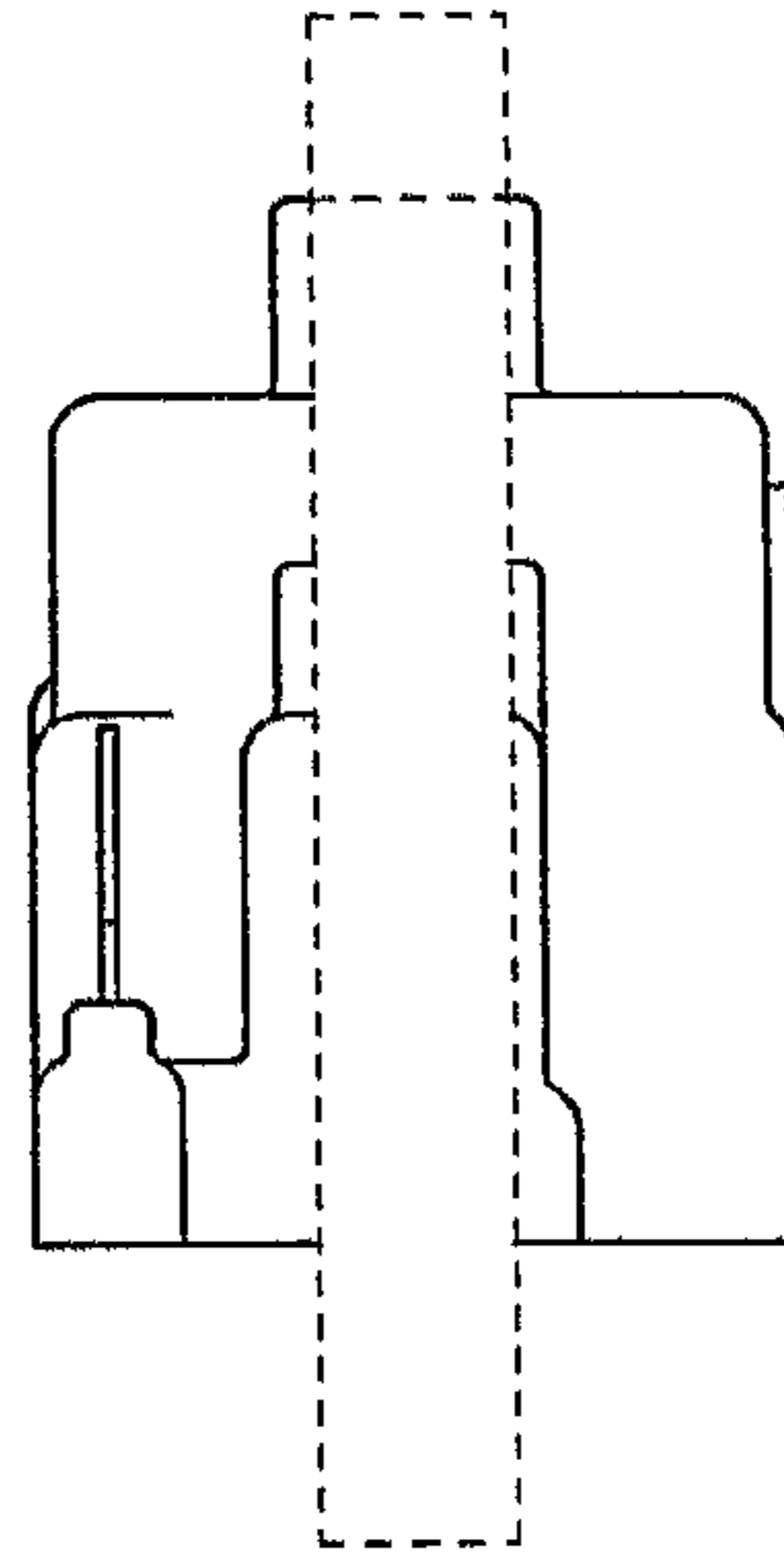


Fig.6

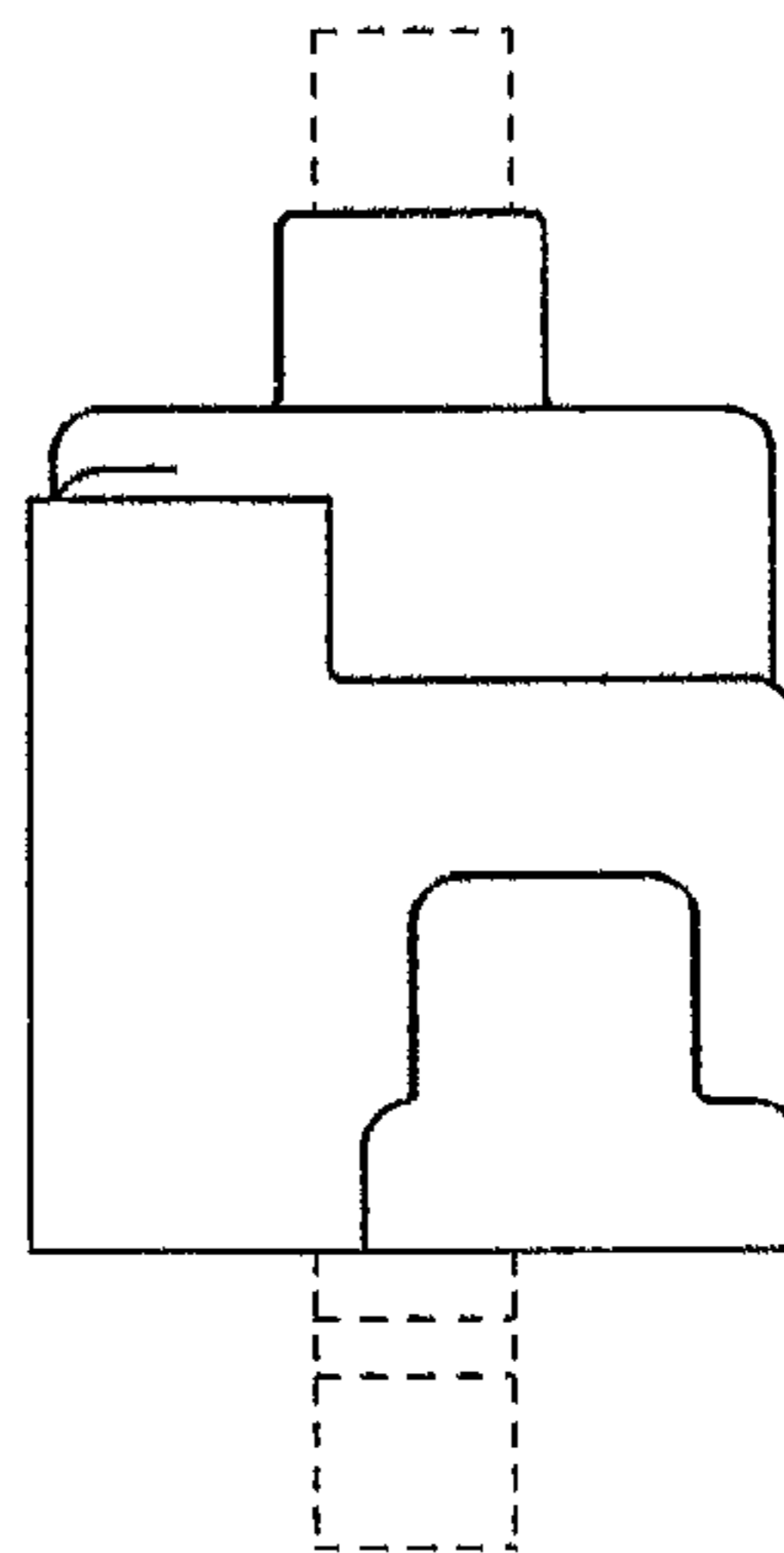


Fig.7

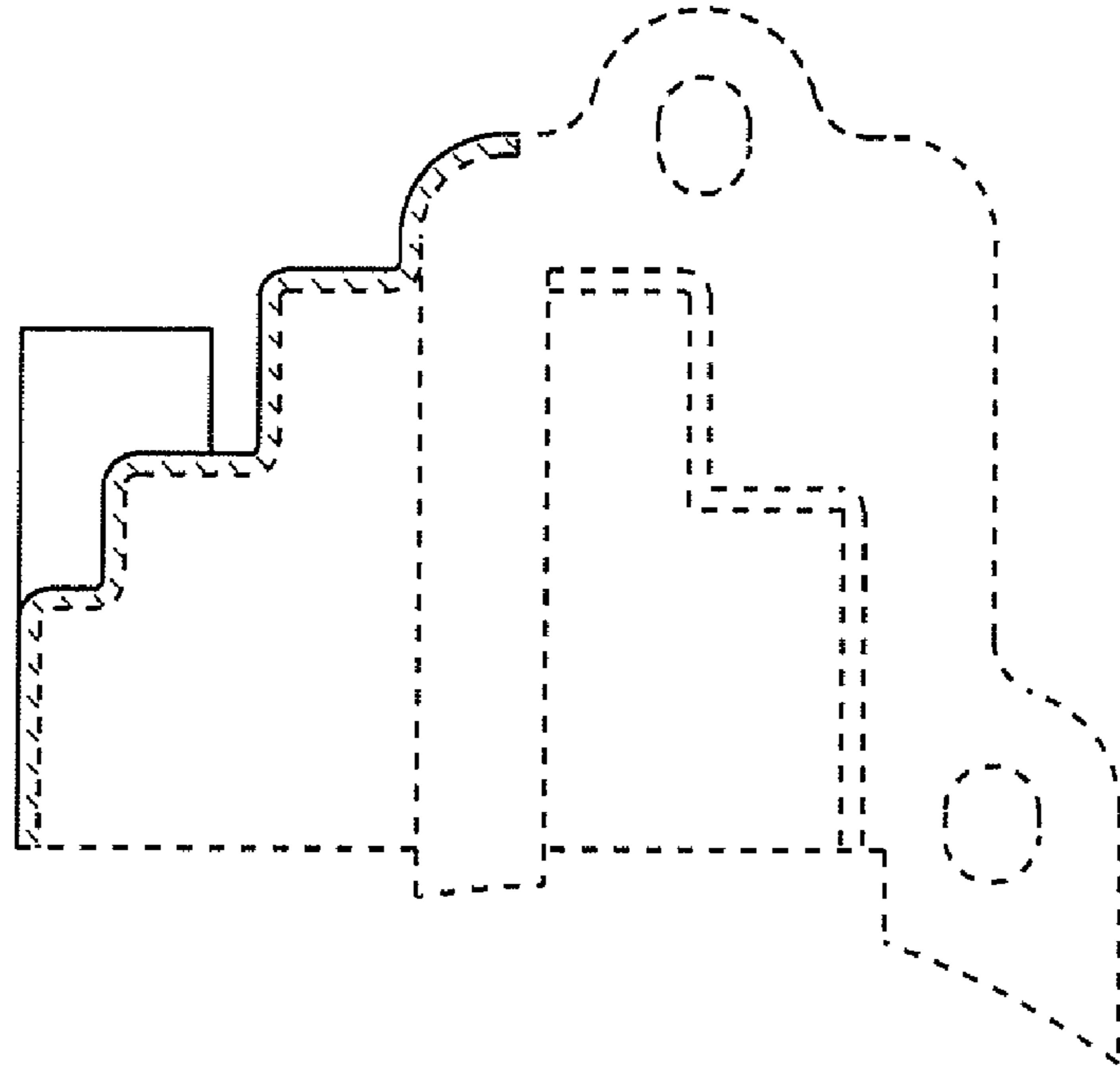


Fig.8

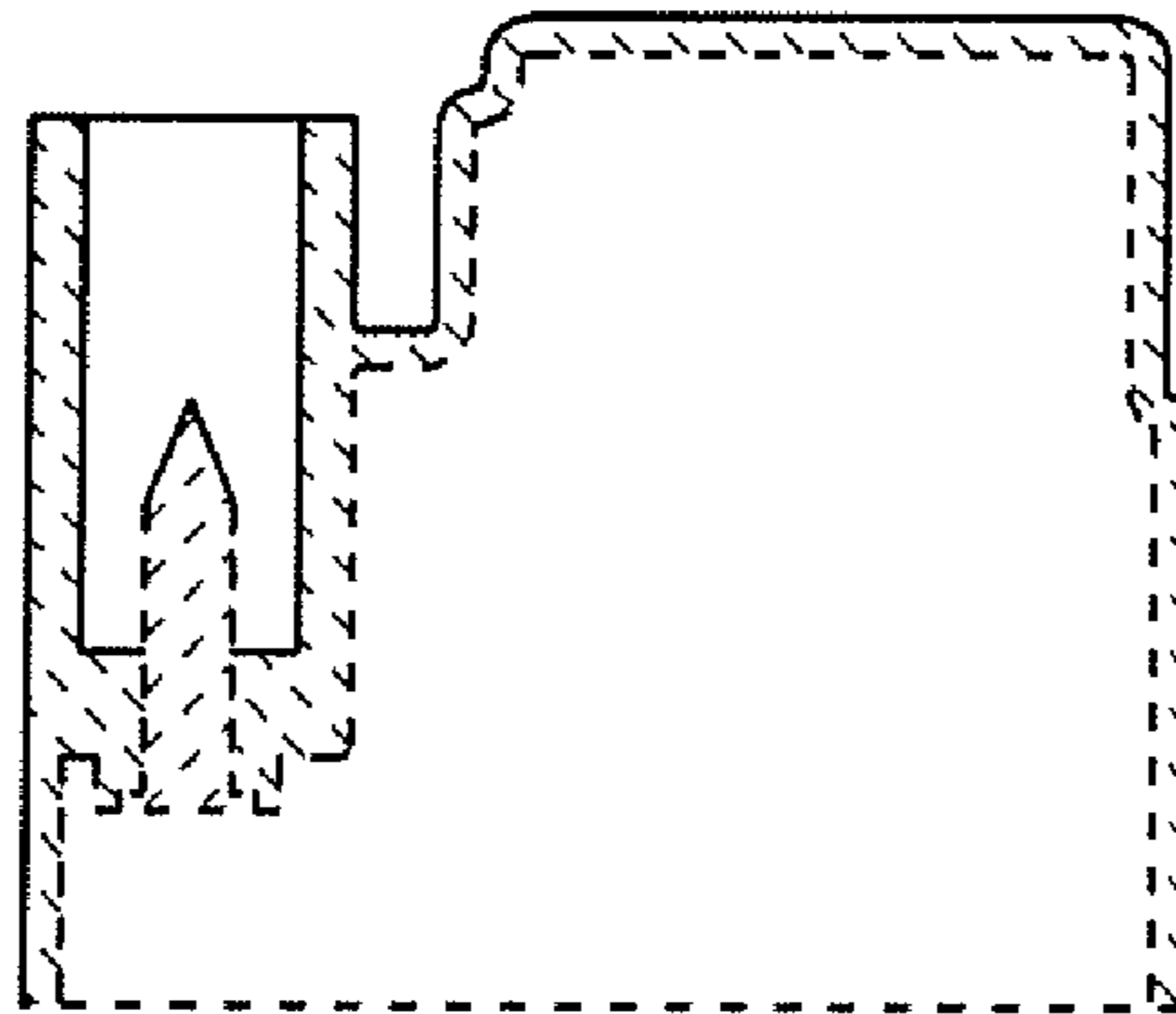


Fig.9

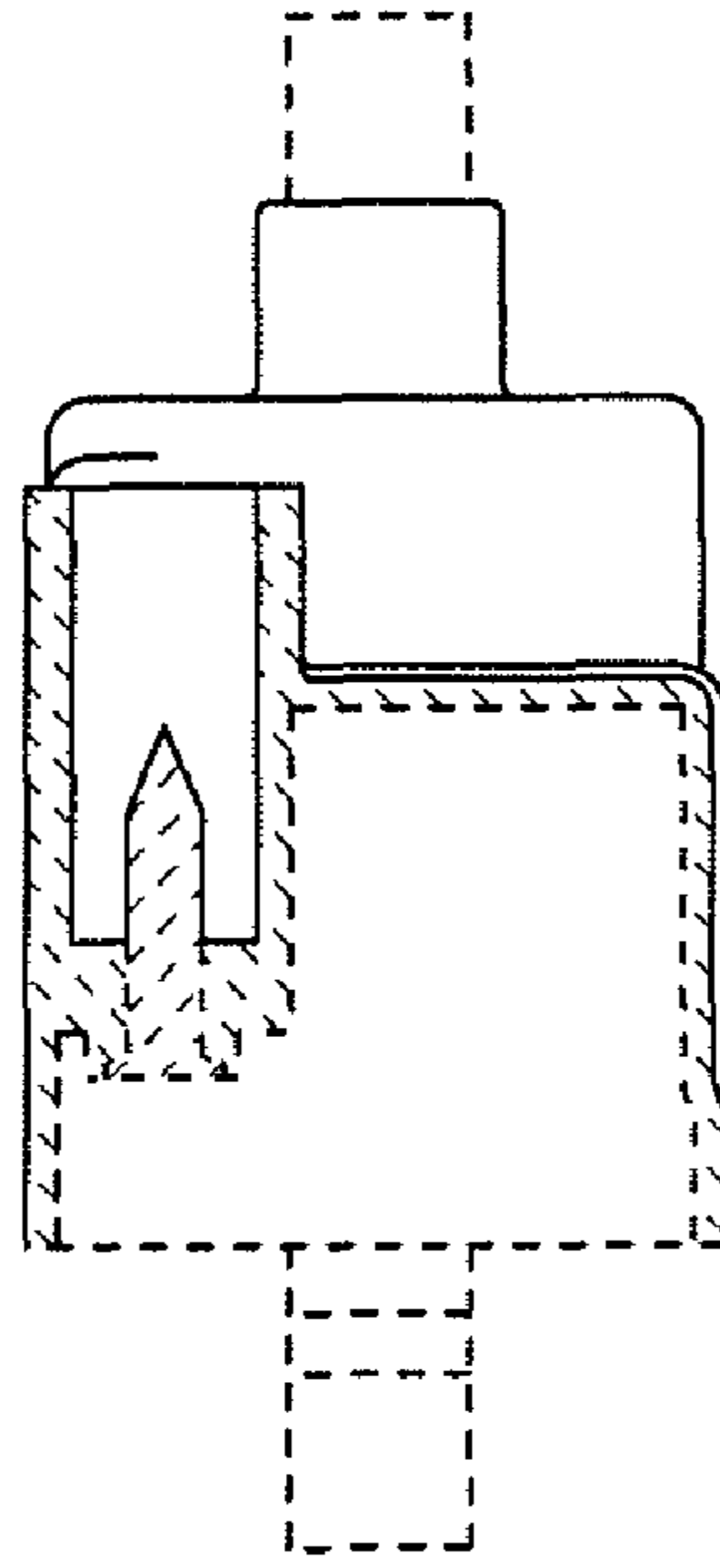


Fig.10

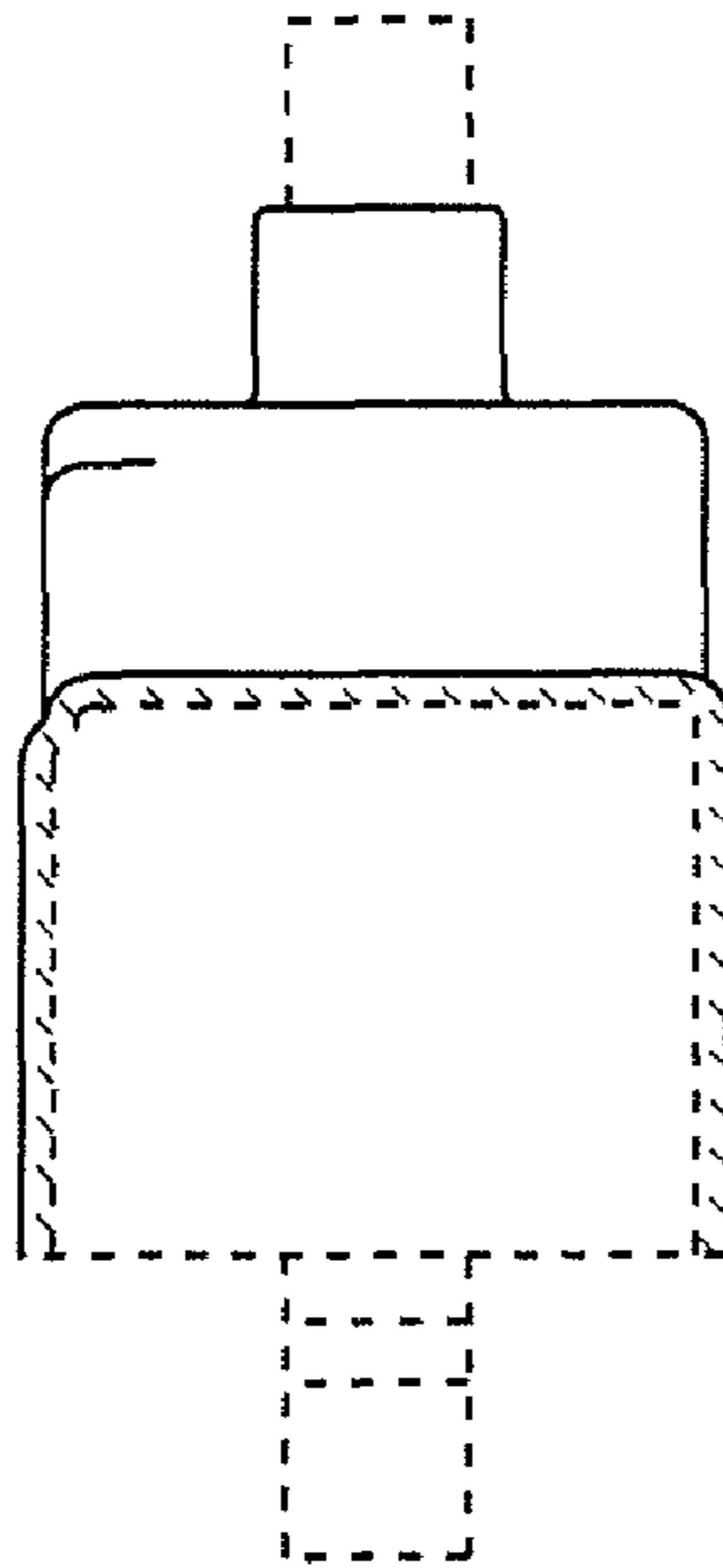


Fig.11

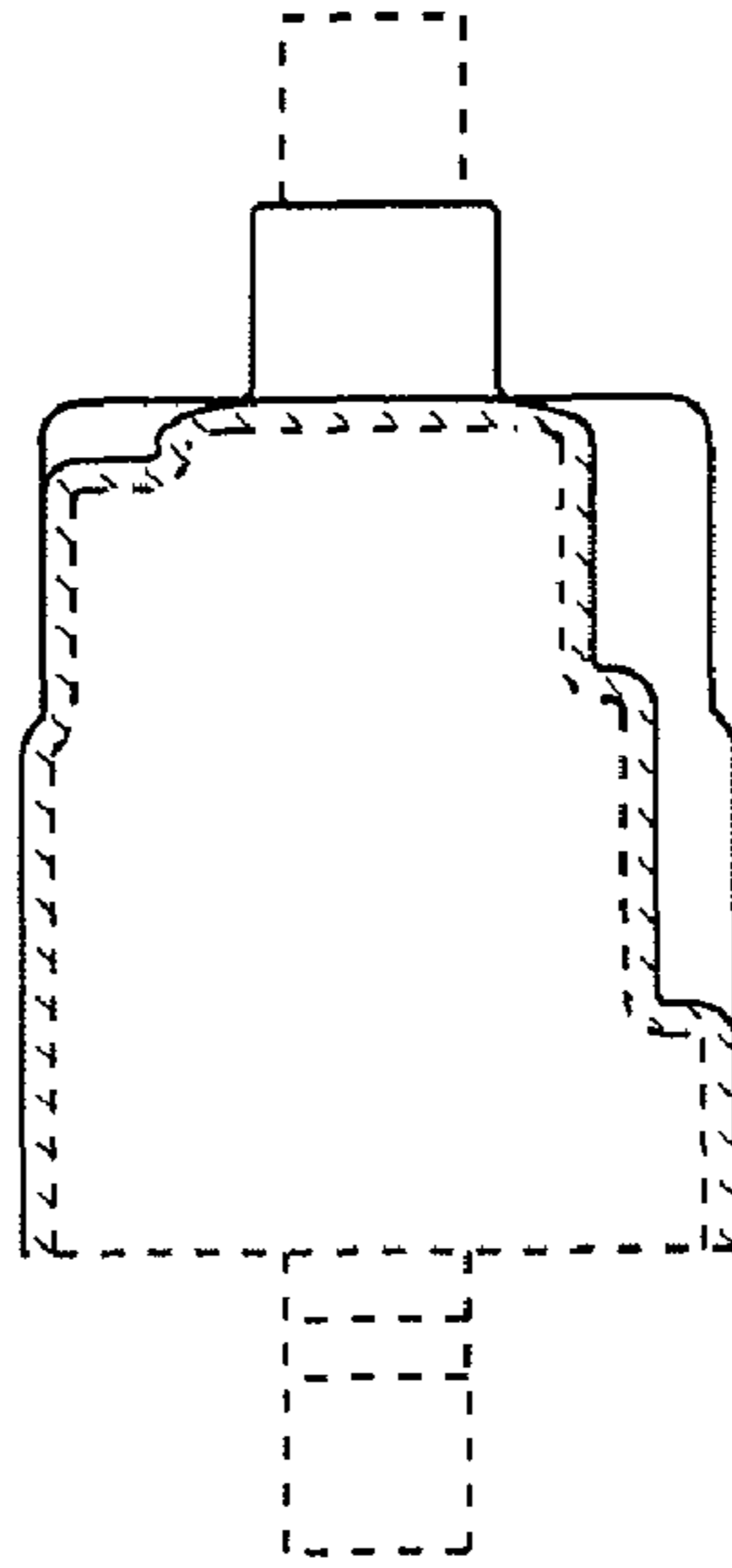


Fig.12

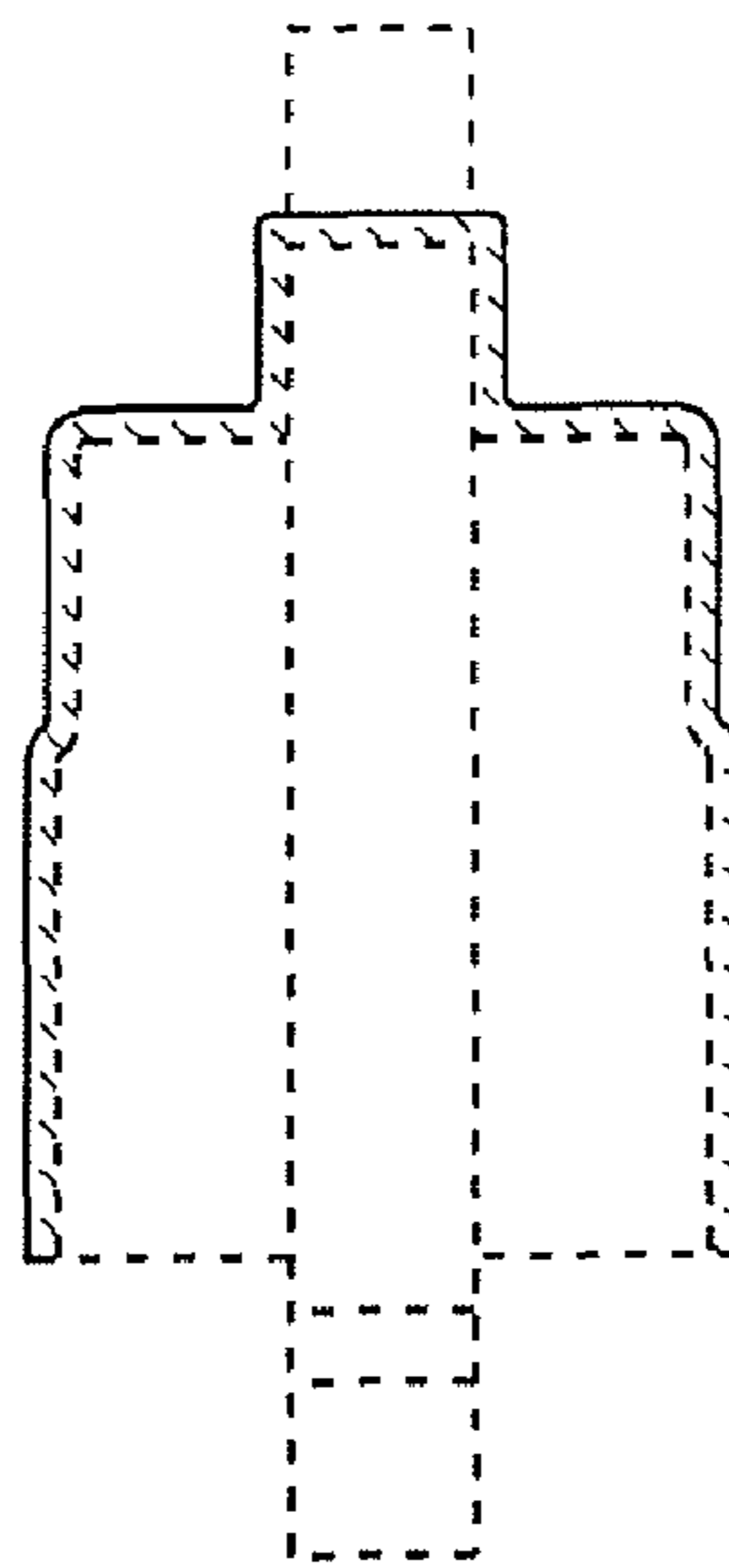


Fig.13

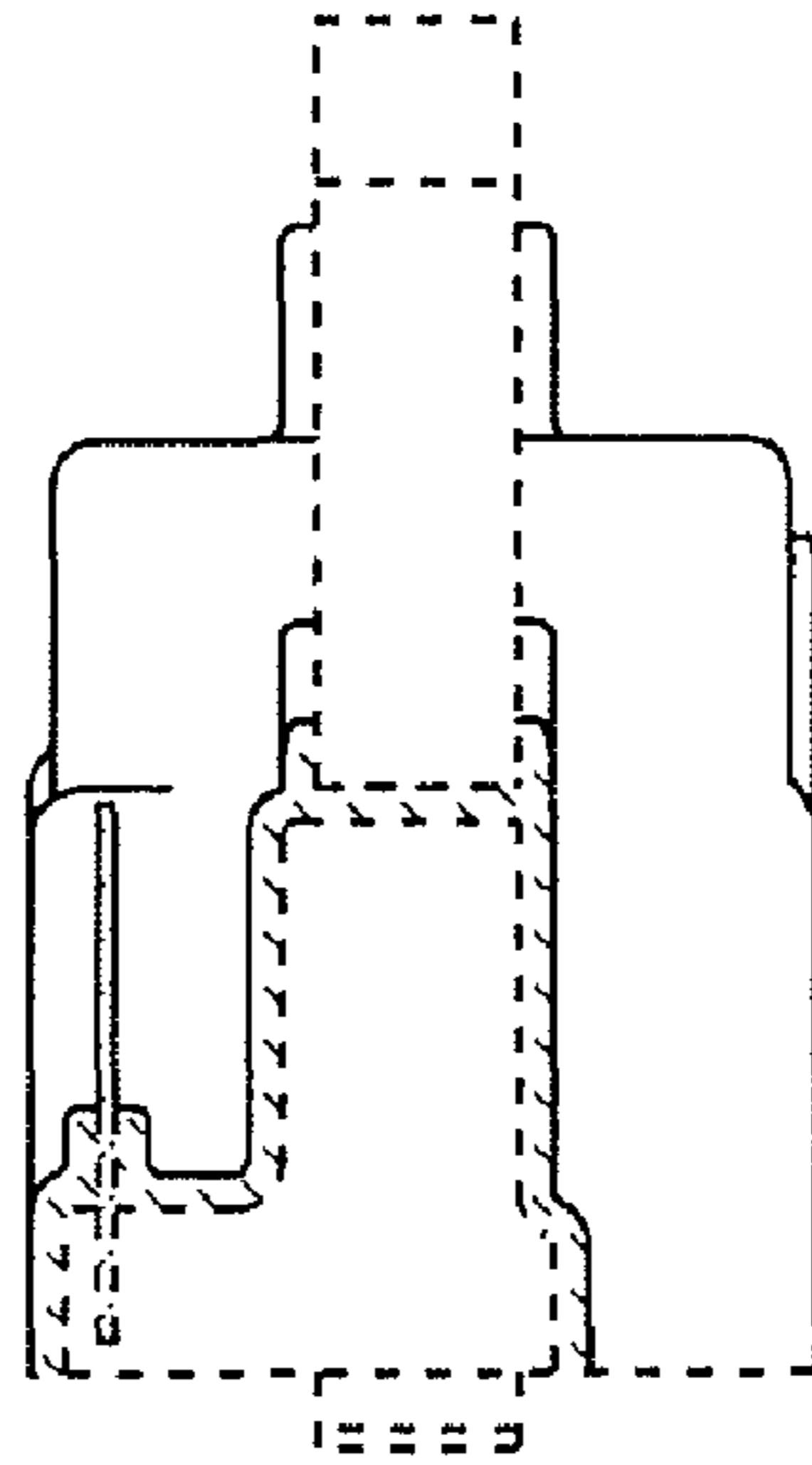


Fig.14

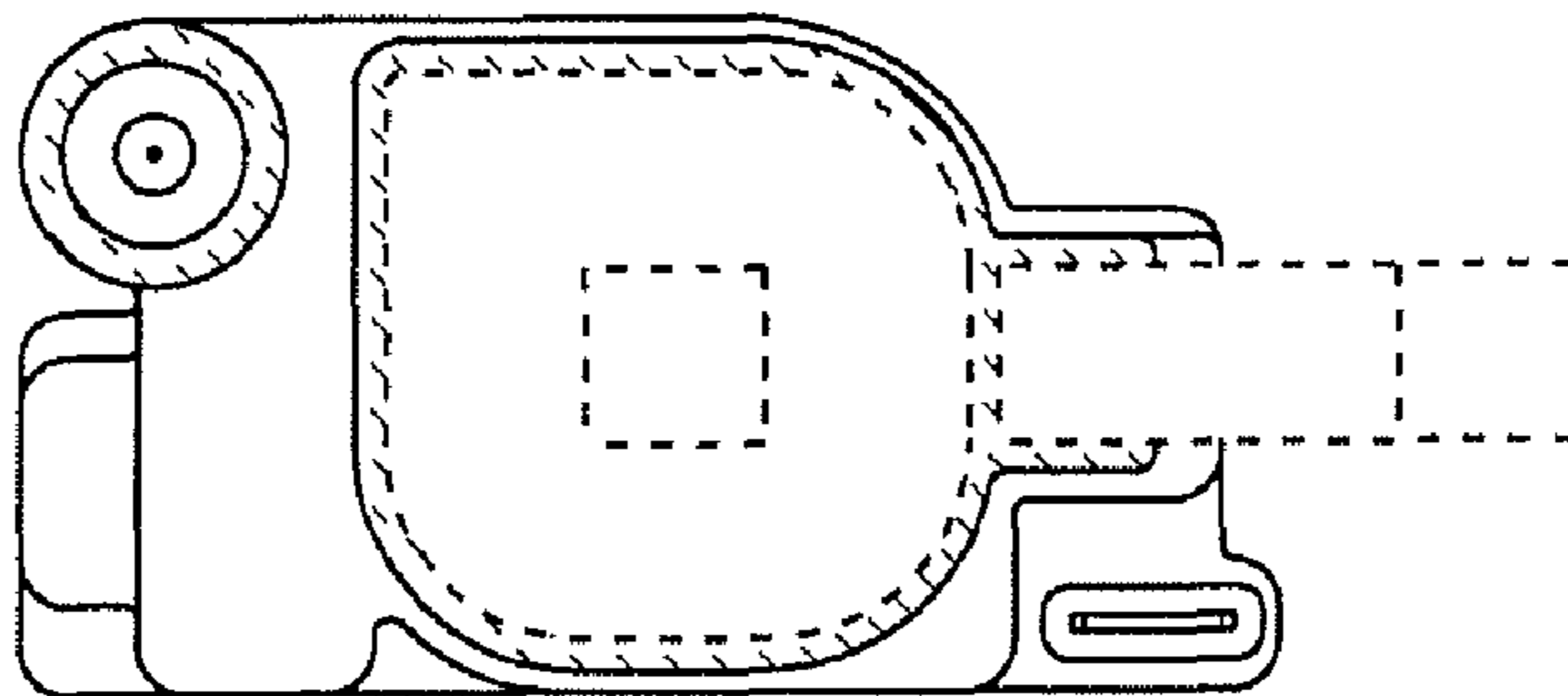


Fig.15

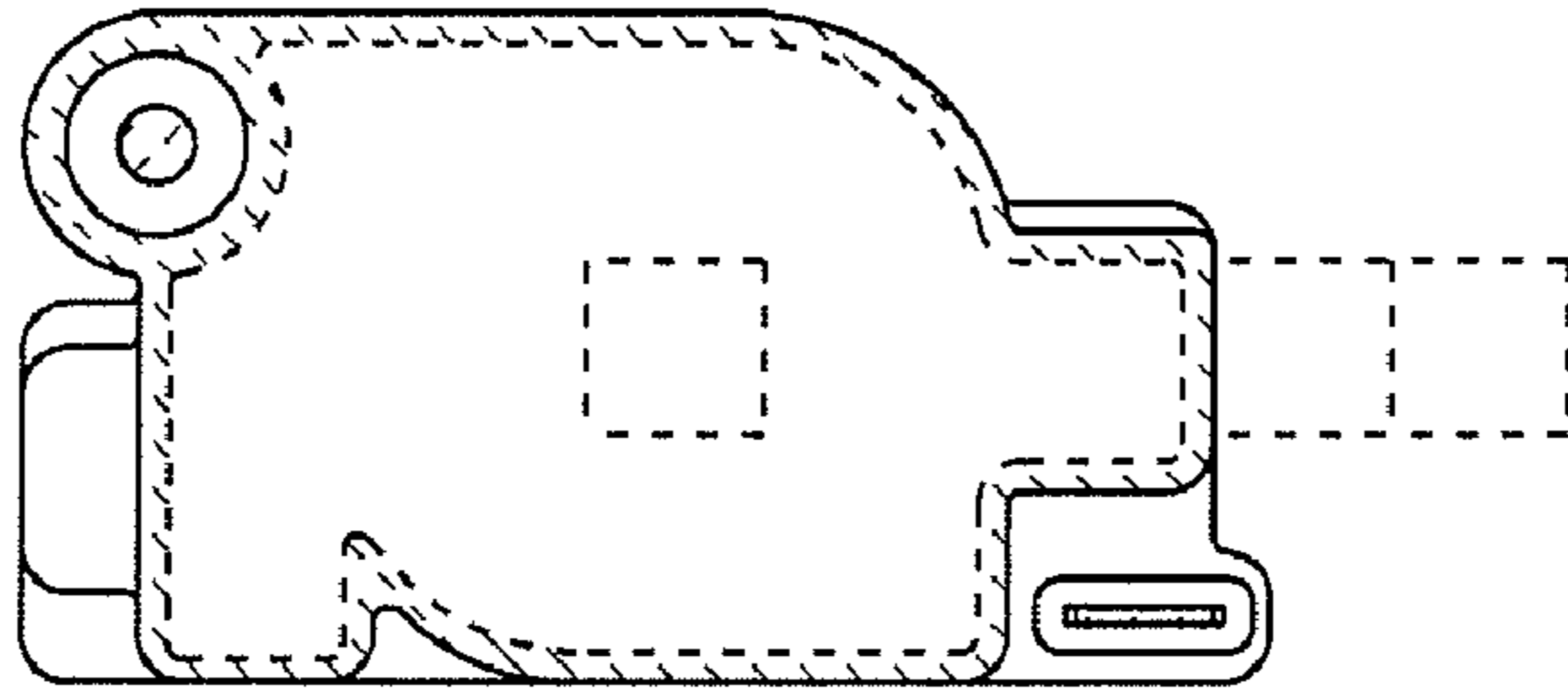


Fig.16

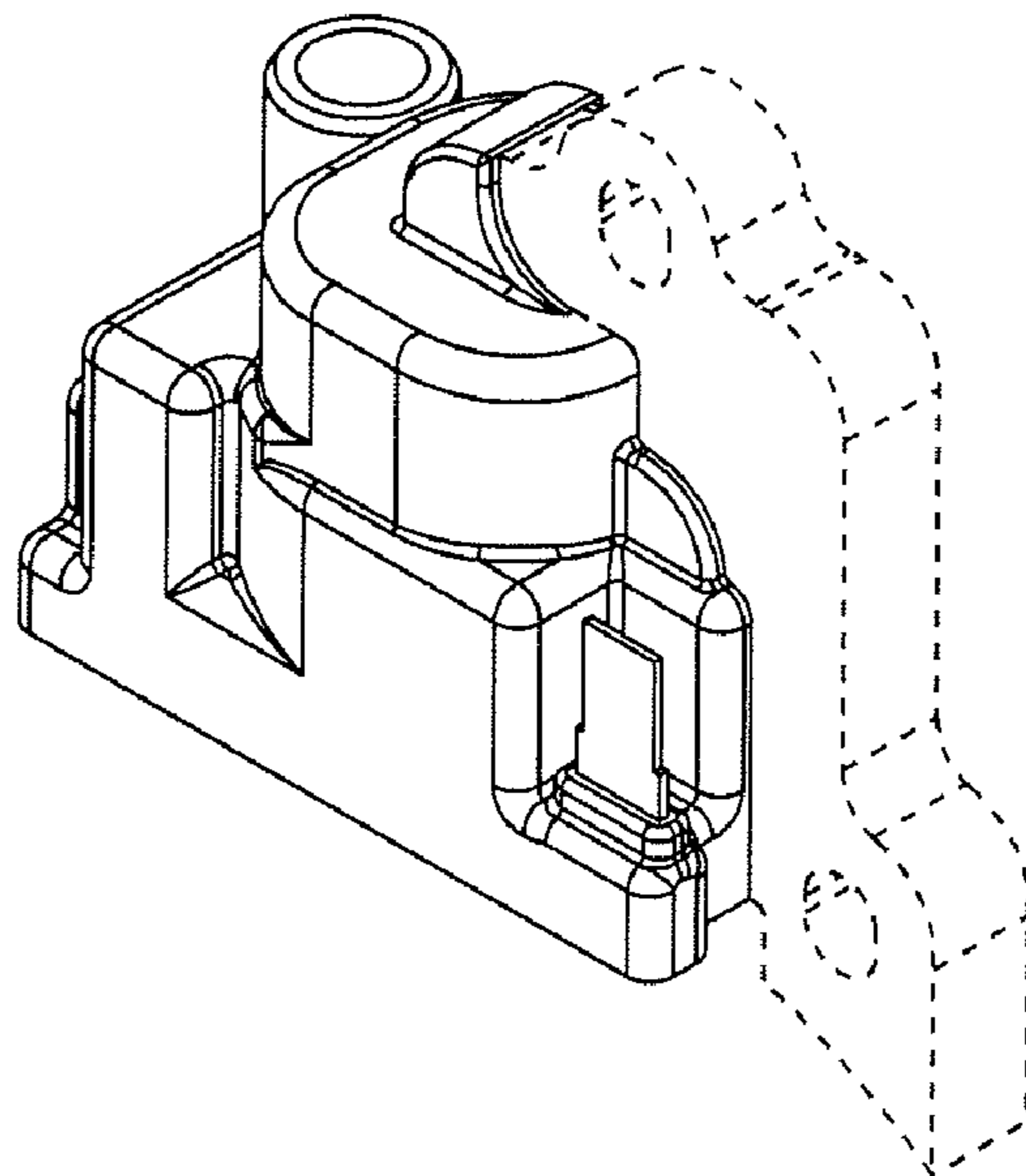


Fig. 17

