



US00D662882S

(12) **United States Design Patent**
Wu

(10) **Patent No.:** **US D662,882 S**
(45) **Date of Patent:** **** Jul. 3, 2012**

(54) **BATTERY CASING**

(75) Inventor: **Ming Wai Leo Wu**, Tseung Kwan O (HK)

(73) Assignee: **Acolyte Technologies Corporation**, New York, NY (US)

(**) Term: **14 Years**

(21) Appl. No.: **29/398,581**

(22) Filed: **Aug. 2, 2011**

(51) **LOC (9) Cl.** **13-02**

(52) **U.S. Cl.** **D13/119**

(58) **Field of Classification Search** D13/102-106,
D13/110, 118-120, 184; 429/96-100, 163,
429/176

See application file for complete search history.

(56) **References Cited**

U.S. PATENT DOCUMENTS

D104,851 S	6/1937	Hammer	
D106,292 S	10/1937	Hammer	
D124,524 S	1/1941	Benioff	
D143,901 S	2/1946	Dwiggins	
D143,903 S	2/1946	Dwiggins	
3,836,766 A	9/1974	Auerbach	
D234,155 S	1/1975	Gellert	
4,006,614 A	2/1977	Decker	
4,265,039 A	5/1981	Brooks	
D285,456 S	9/1986	Wiens	
D291,360 S	8/1987	De Vos et al.	
4,860,177 A	8/1989	Simms	
D303,373 S *	9/1989	Ching, Jr.	D13/103
D304,926 S *	12/1989	Ching, Jr.	D13/103
D319,078 S	8/1991	Hector, Sr.	
D331,638 S	12/1992	Vamberszky et al.	
5,307,250 A	4/1994	Pearson	
D348,535 S	7/1994	Burnett	
D349,778 S	8/1994	Johnson et al.	
D357,758 S	4/1995	Lipps et al.	
D370,072 S	5/1996	Arden	
D377,229 S	1/1997	Shalvi	
D384,181 S	9/1997	Borden	
5,685,097 A	11/1997	Marinov	

D397,233 S	8/1998	Bassford
D400,406 S	11/1998	House
6,120,162 A	9/2000	Guerrieri
D439,355 S	3/2001	Ford
D442,303 S	5/2001	Moriyama et al.
D443,093 S	5/2001	Chiang
D443,713 S	6/2001	Benensohn
D446,325 S	8/2001	Guerrieri
D447,584 S	9/2001	Guerrieri

(Continued)

OTHER PUBLICATIONS

Acolyte Technologies Corporation, Products Catalog, www.888Acolyte.com.

(Continued)

Primary Examiner — Rosemary K Tarcza

(74) *Attorney, Agent, or Firm* — Gottlieb, Rackman & Reisman, PC

(57) **CLAIM**

The ornamental design for a battery casing, as shown and described.

DESCRIPTION

FIG. 1 is a top, front and left side perspective view of a battery casing showing our new design;

FIG. 2 is a bottom, rear and right side perspective view thereof;

FIG. 3 is a right side elevational view thereof, the left side elevational view being a mirror image;

FIG. 4 is a front elevational view thereof;

FIG. 5 is a rear elevational view thereof;

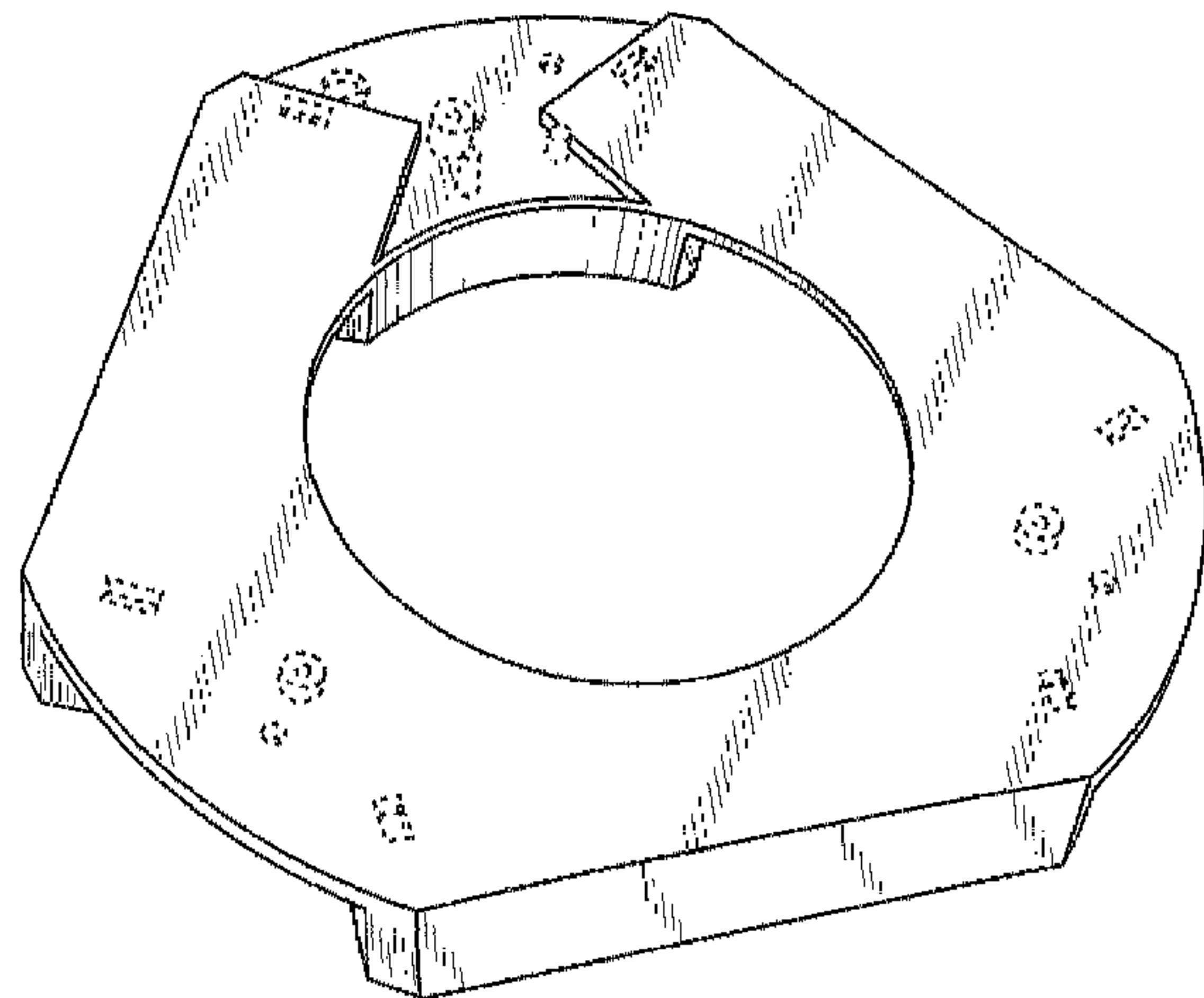
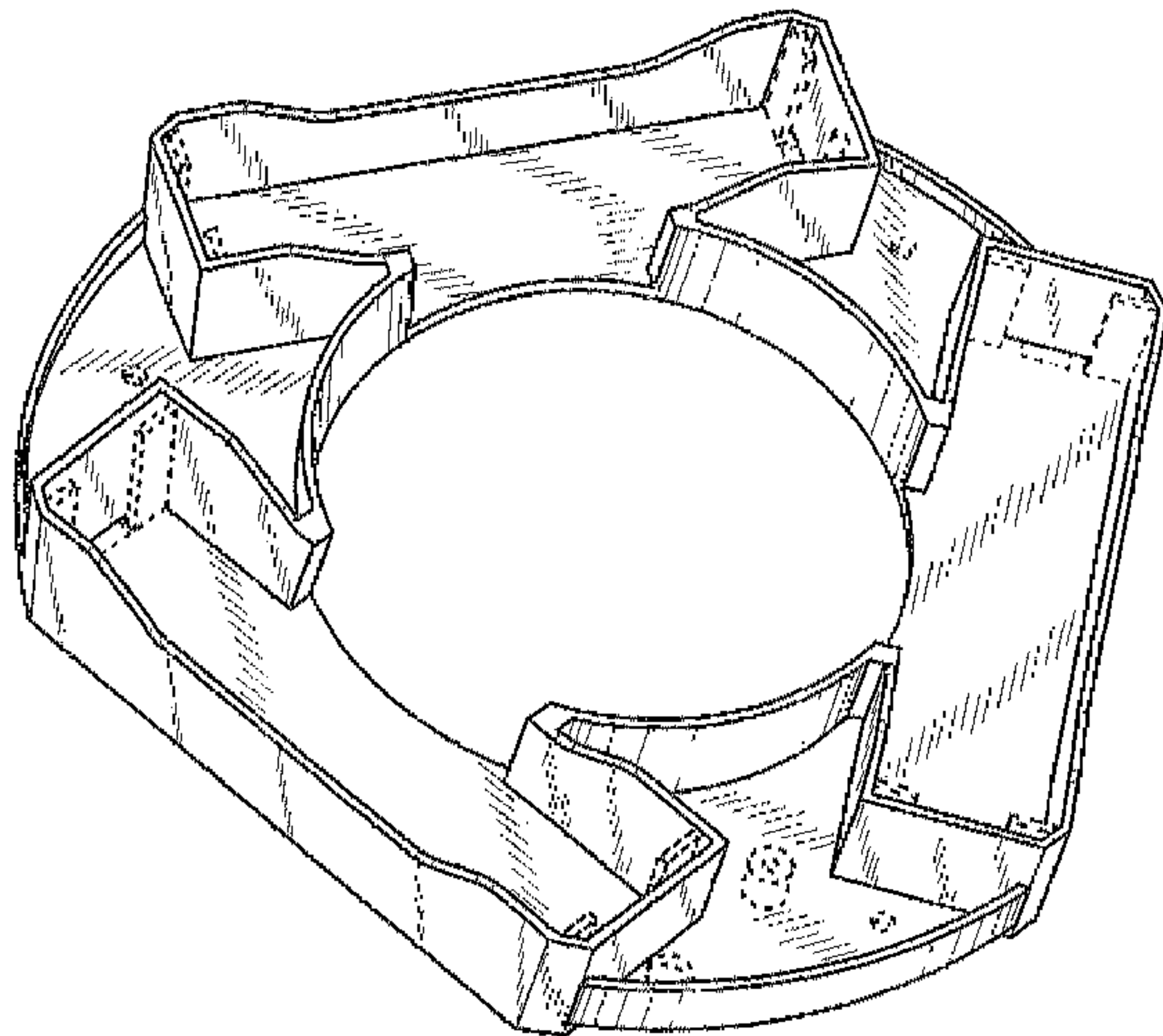
FIG. 6 is a top plan view thereof; and

FIG. 7 is a bottom plan view thereof; and,

FIG. 8 is an alternate top, front and left side perspective view of the battery casing.

The broken lines shown in the drawings are included for the purpose of illustrating environmental structure and form no part of the claimed design.

1 Claim, 5 Drawing Sheets



US D662,882 S

Page 2

U.S. PATENT DOCUMENTS

D462,938 S * 9/2002 Revak et al. D13/119
D470,891 S 2/2003 Grosz
D472,339 S 3/2003 Russello et al.
D482,469 S 11/2003 Guerrieri
6,641,283 B1 11/2003 Bohler
D484,270 S 12/2003 Yiu
D485,004 S 1/2004 Olson
D489,578 S 5/2004 Lai
D495,818 S 9/2004 Shieh
6,840,654 B2 1/2005 Guerrieri
D501,573 S 2/2005 Benensohn
6,848,807 B2 2/2005 Guerrieri
6,848,808 B2 2/2005 Guerrieri
6,857,771 B2 2/2005 Guerrieri
6,900,735 B2 5/2005 Guerrieri
D510,639 S 10/2005 Brady
D528,996 S 9/2006 Egawa
D535,039 S 1/2007 Sorokin
D535,262 S 1/2007 Saito et al.
D543,245 S 5/2007 Feibelman et al.
D544,117 S 6/2007 Coushaine
D552,543 S * 10/2007 Su D13/122
D561,097 S * 2/2008 Koeske D13/119
D561,924 S 2/2008 Yiu
D562,492 S 2/2008 Chen
D573,292 S 7/2008 Zheng et al.
D573,948 S * 7/2008 Itagaki et al. D13/119
D577,836 S 9/2008 Engebrigtsen
D586,491 S 2/2009 Levine
D587,197 S * 2/2009 Yoshikawa et al. D13/122
D590,098 S 4/2009 Campbell
D593,224 S 5/2009 Hanley
D598,053 S 8/2009 Sanchez
D598,583 S 8/2009 Levine

D603,811 S 11/2009 Son
D604,880 S 11/2009 Lovegrove
D605,586 S * 12/2009 Tong D13/103
D610,733 S 2/2010 Chang
D615,231 S 5/2010 van Klinken
D616,590 S 5/2010 Huang et al.
D617,038 S 6/2010 Feigenbaum
D620,187 S 7/2010 Quadri
D620,191 S 7/2010 Feigenbaum
D625,870 S 10/2010 Feigenbaum
D626,280 S 10/2010 Feigenbaum
D629,549 S 12/2010 Feigenbaum
D633,232 S 2/2011 Feigenbaum
D633,234 S 2/2011 Feigenbaum
D642,298 S 7/2011 Feigenbaum
D642,299 S 7/2011 Feigenbaum
D643,557 S 8/2011 Feigenbaum
D647,848 S * 11/2011 Yen et al. D13/118
2008/0158863 A1 7/2008 Tsai
2010/0039825 A1 2/2010 Yu et al.
2010/0271823 A1 10/2010 Huang et al.
2011/0064978 A1 * 3/2011 McGahan et al. 429/61

OTHER PUBLICATIONS

Japanese Patent Office, Office Action in connection with design application serial No. D 2010-013870, rejecting the subject design based on the publication of the product on Amazon.com (see attached photograph) on Jun. 22, 2009.

US Patent Office Pending Applications and their respective file histories U.S. Appl. Nos. 29/401,442, 29/398,581, 29/398,579, 29/398,578, 29/398,576, 29/398,573, 29/394,839, 29/360,778, 29/350,019, 29/346,996.

* cited by examiner

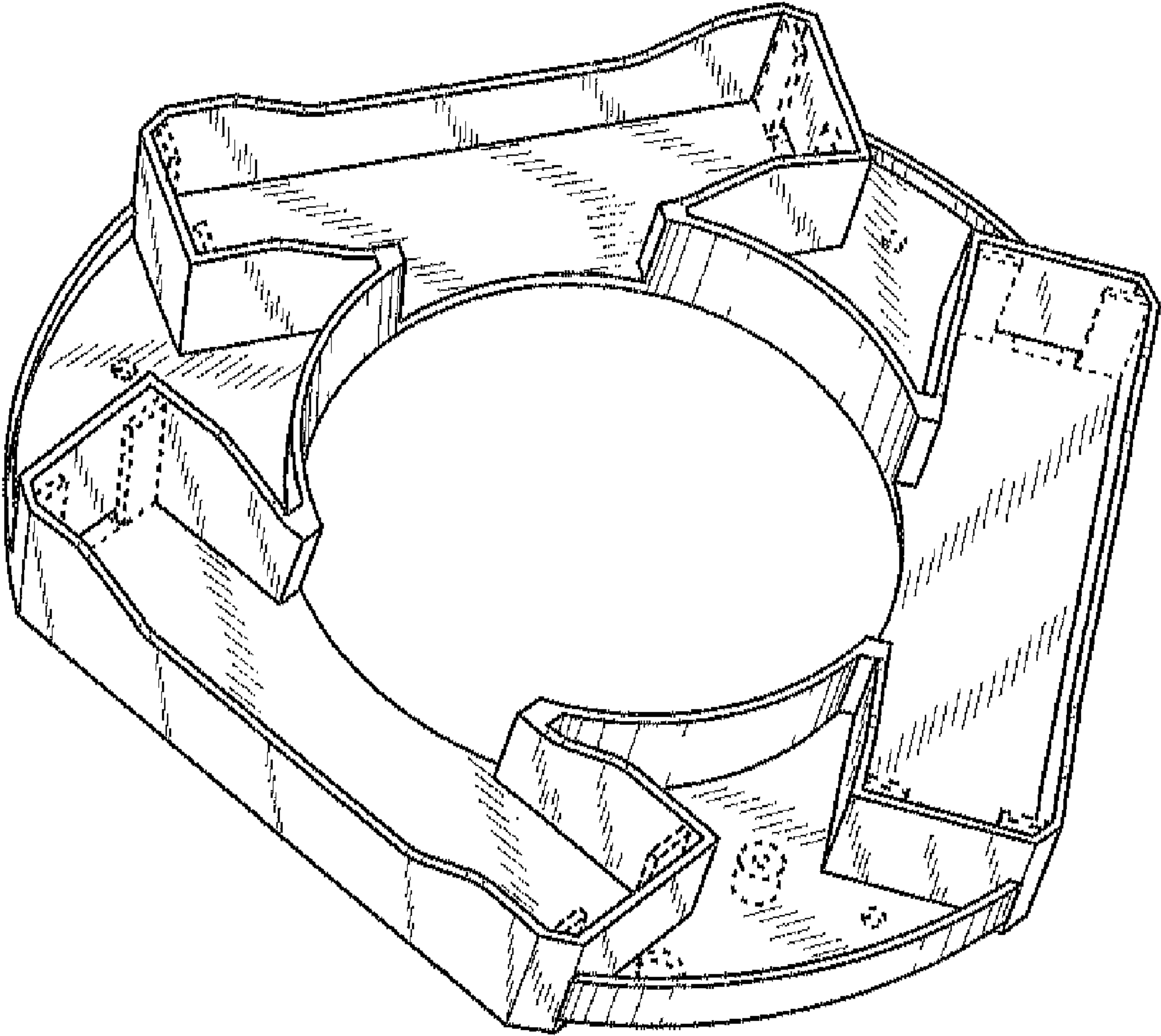


FIG. 1

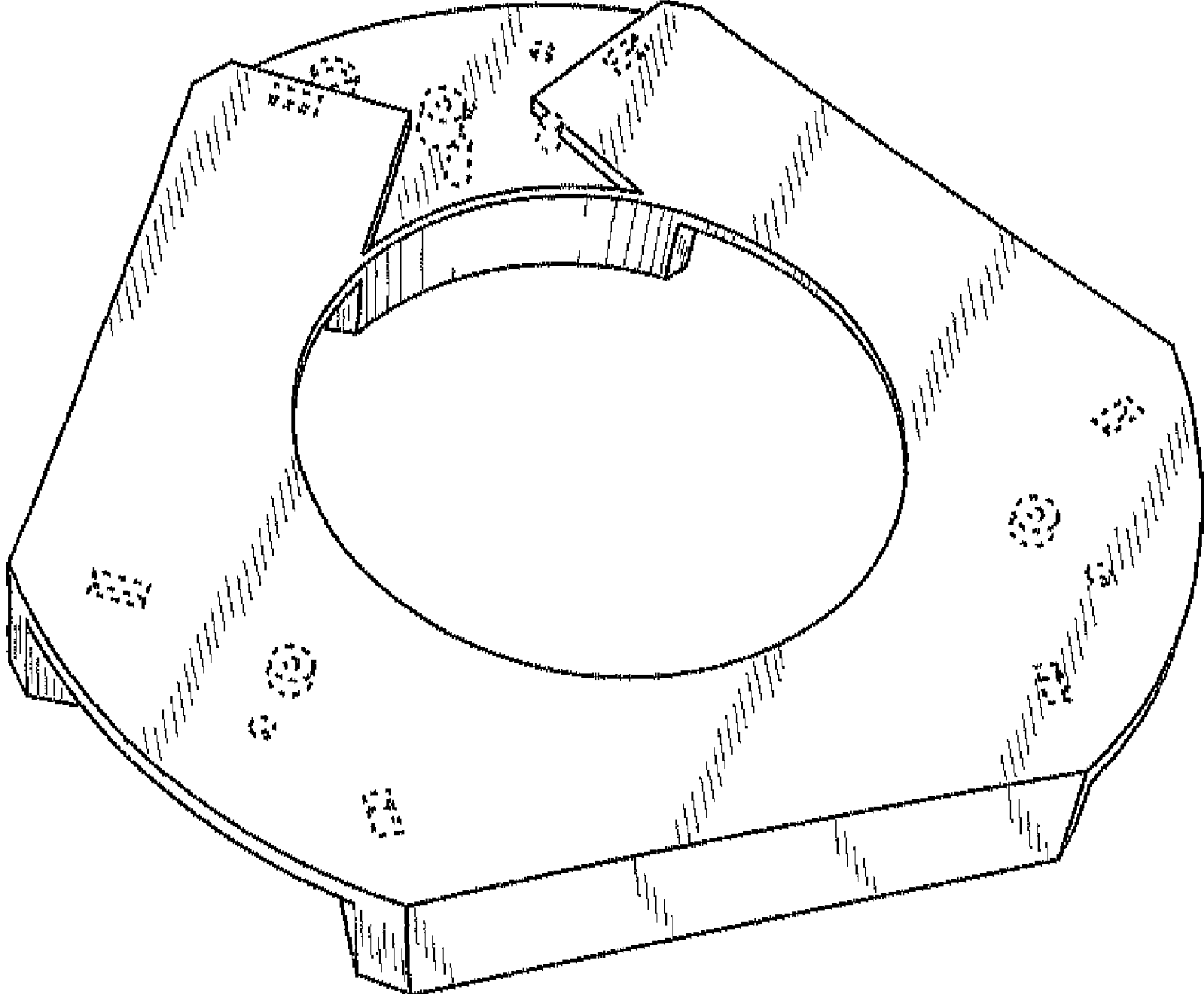


FIG. 2

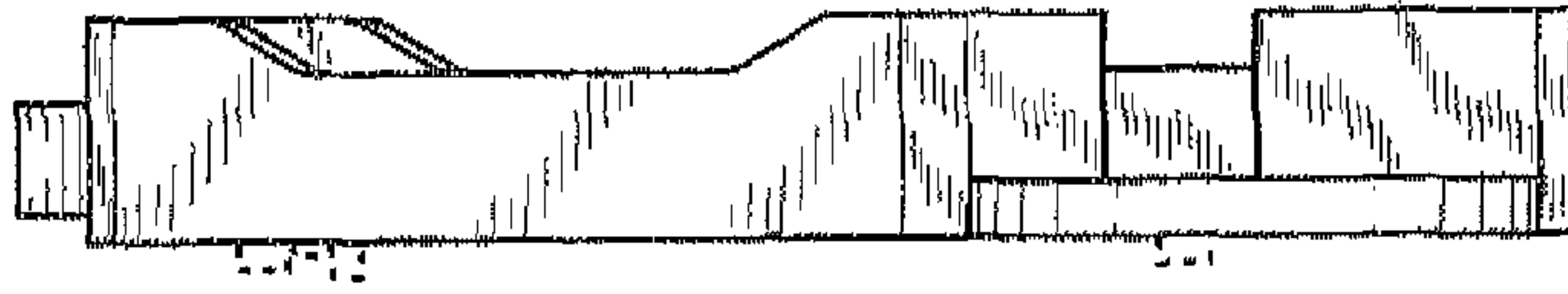


FIG. 3



FIG. 4

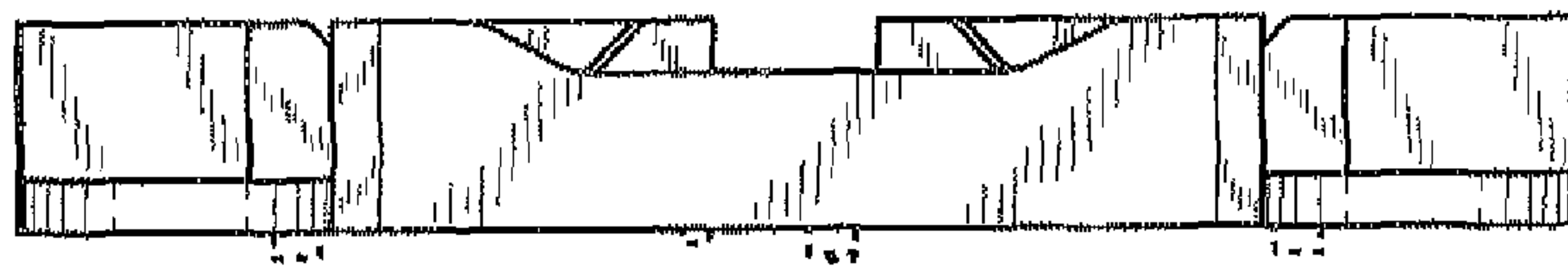


FIG. 5

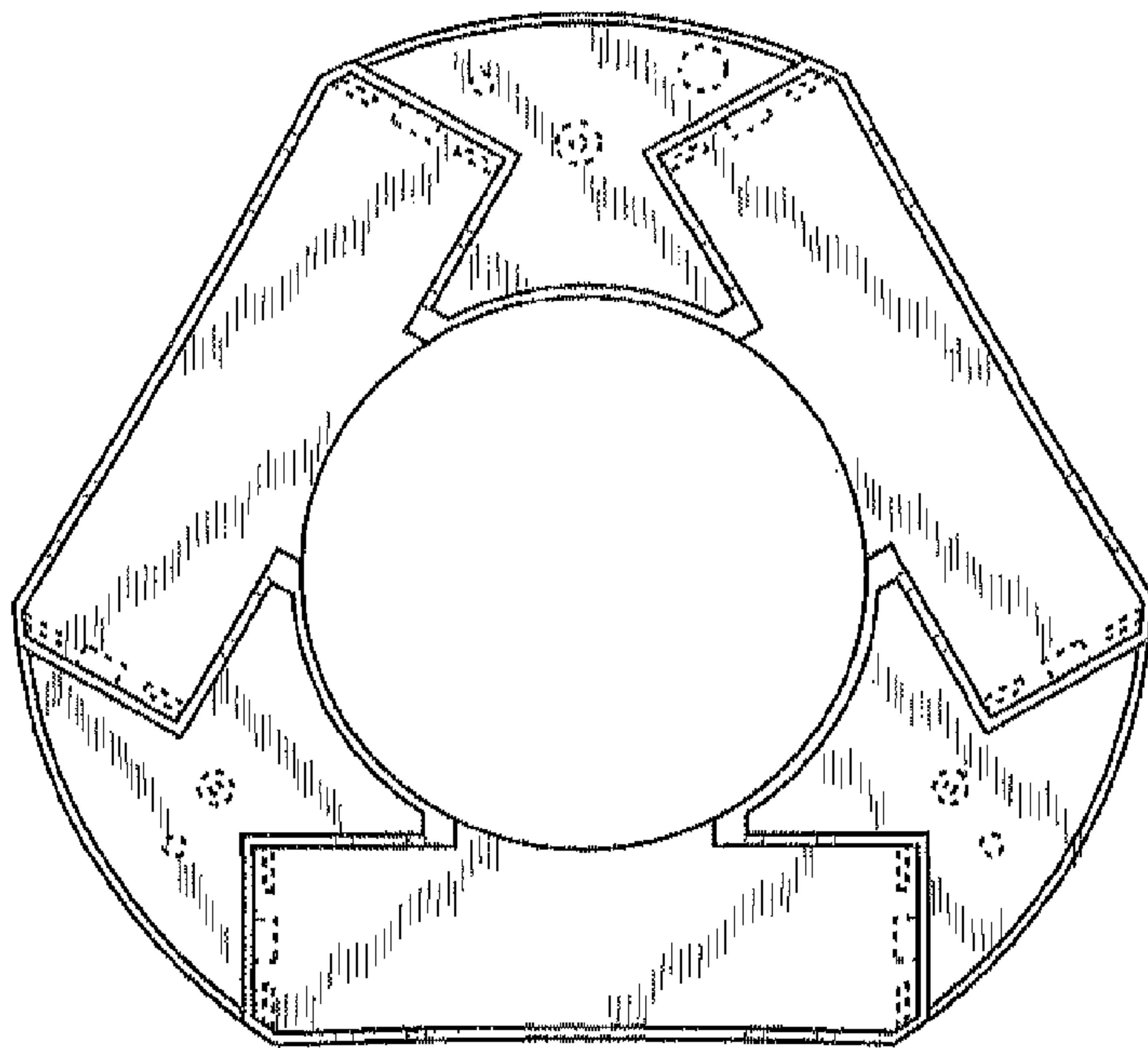


FIG. 6

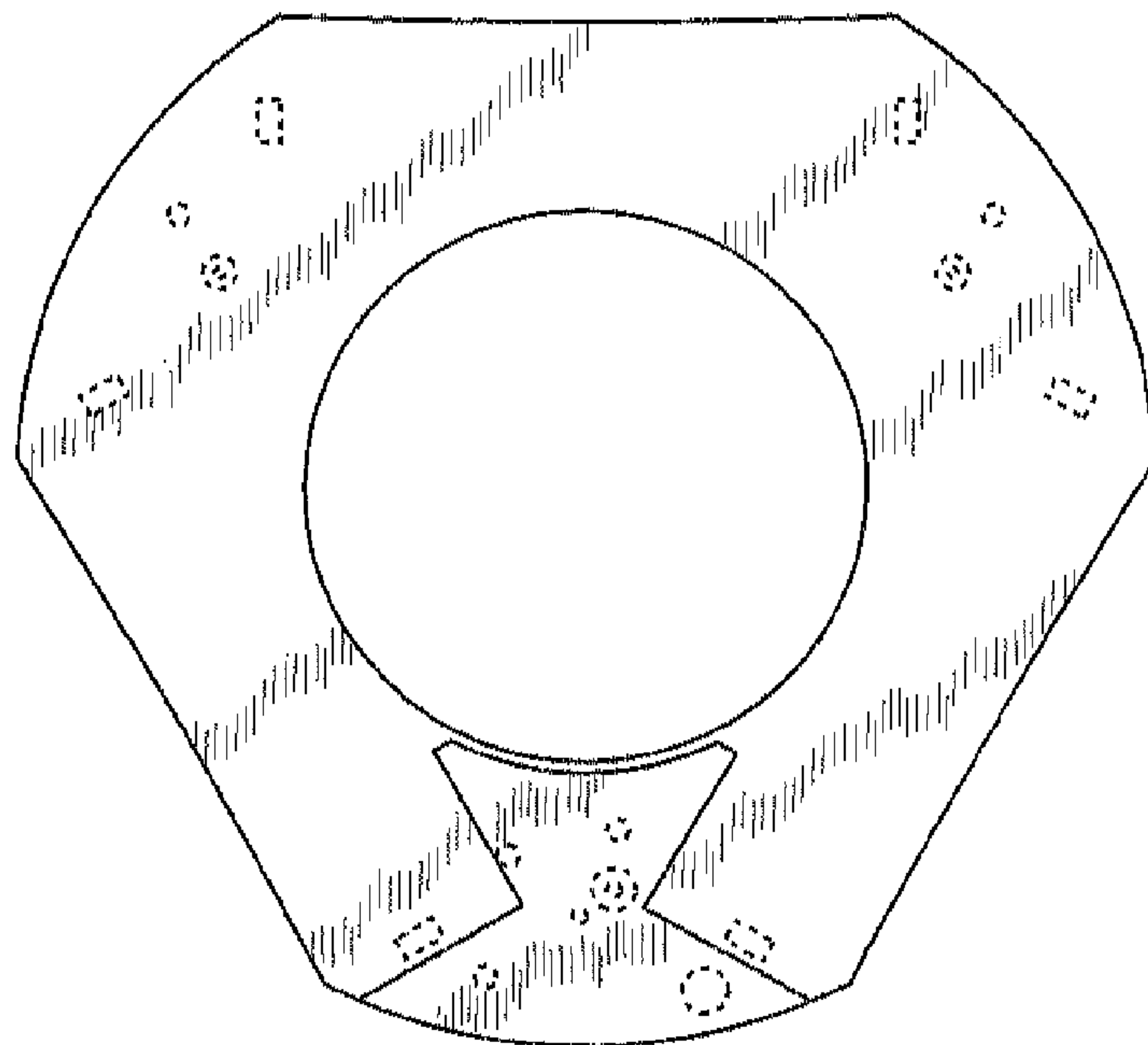


FIG. 7

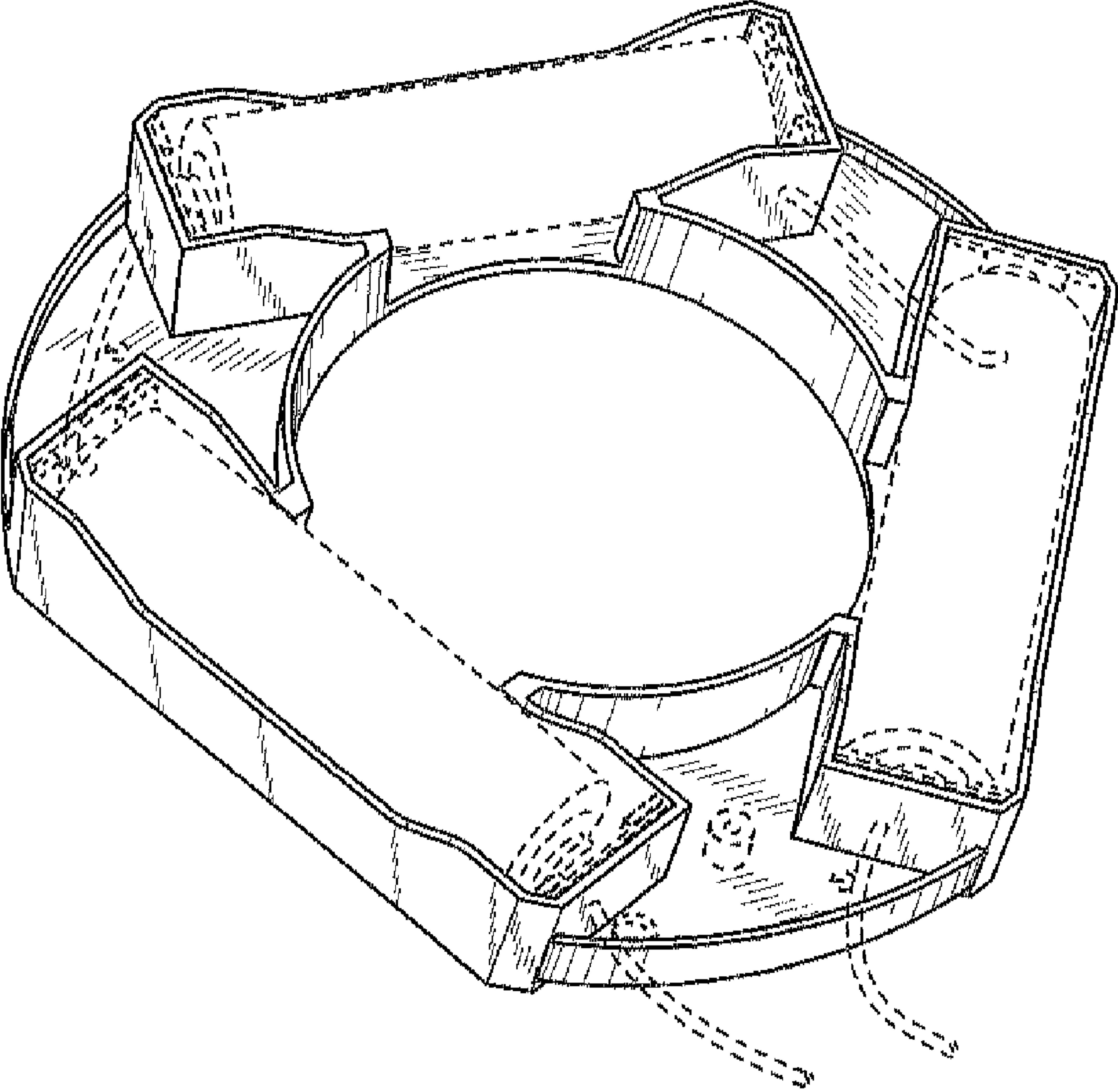


FIG. 8