



US00D662881S

(12) **United States Design Patent**  
**He et al.**

(10) **Patent No.:** **US D662,881 S**  
(45) **Date of Patent:** **\*\* Jul. 3, 2012**

(54) **GENERATOR**

(75) Inventors: **Changyu He**, Chongqing (CN);  
**Zhengdong Zhao**, Chongqing (CN);  
**Zhe Wu**, Chongqing (CN)

(73) Assignee: **LiFan Industry (Group) Co., Ltd.**,  
Chongqing (CN)

(\*\*) Term: **14 Years**

(21) Appl. No.: **29/396,009**

(22) Filed: **Jun. 23, 2011**

(30) **Foreign Application Priority Data**

Dec. 25, 2010 (CN) ..... 2010 3 0696618

(51) **LOC (9) Cl.** ..... **13-01**

(52) **U.S. Cl.** ..... **D13/116**

(58) **Field of Classification Search** ..... D13/116,  
D13/112, 113, 114, 122, 199; D15/1, 7,  
D15/199; 290/1 A, 1 B; 307/150, 151, 153;  
322/1, 2 R

See application file for complete search history.

(56) **References Cited**

**U.S. PATENT DOCUMENTS**

D282,252 S \* 1/1986 Yamaguchi et al. .... D13/116  
4,595,841 A \* 6/1986 Yaguchi ..... 290/1 A

4,608,946 A \* 9/1986 Tanaka et al. .... 123/2  
D305,880 S \* 2/1990 Ito et al. .... D13/116  
D310,348 S \* 9/1990 Higuchi et al. .... D13/114  
D335,862 S \* 5/1993 Kusunoki et al. .... D13/116  
D417,651 S \* 12/1999 Ohsumi ..... D13/116  
6,100,599 A \* 8/2000 Kouchi et al. .... 290/1 A  
D437,825 S \* 2/2001 Imai ..... D13/116  
D477,569 S \* 7/2003 Iwatate et al. .... D13/116  
D594,819 S \* 6/2009 Yamamoto et al. .... D13/116

\* cited by examiner

*Primary Examiner* — Derrick Holland

(74) *Attorney, Agent, or Firm* — McDermott Will & Emery  
LLP

(57) **CLAIM**

The ornamental design for a generator, as shown and  
described.

**DESCRIPTION**

FIG. 1 is a front view of a generator showing our new design;  
FIG. 2 is a back view thereof;  
FIG. 3 is a left side view thereof;  
FIG. 4 is a right side view thereof;  
FIG. 5 is a top view thereof; and,  
FIG. 6 is a perspective view thereof.

The broken lines shown represent unclaimed subject matter  
and form no part of the claimed design.

**1 Claim, 3 Drawing Sheets**



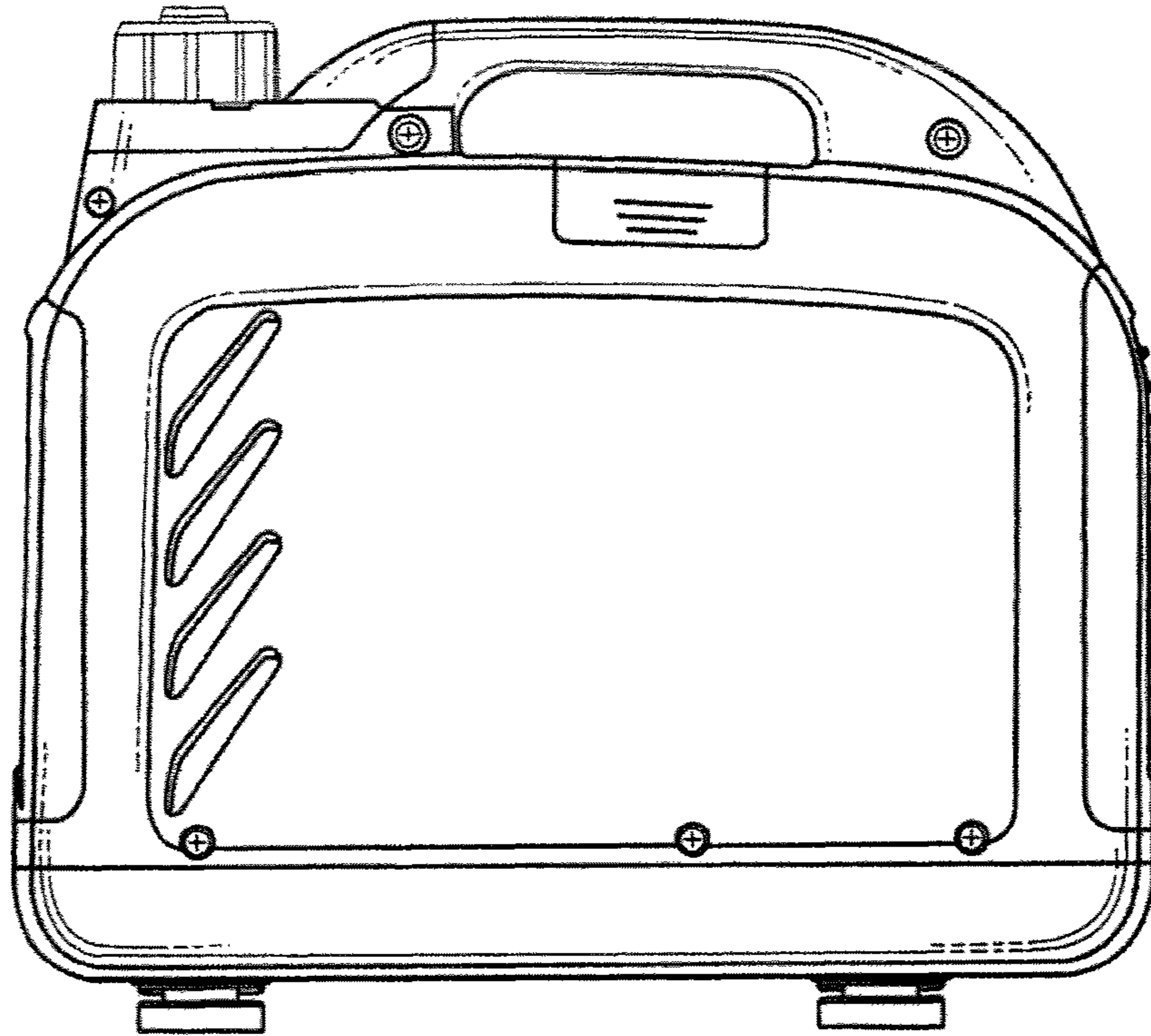


FIG. 1

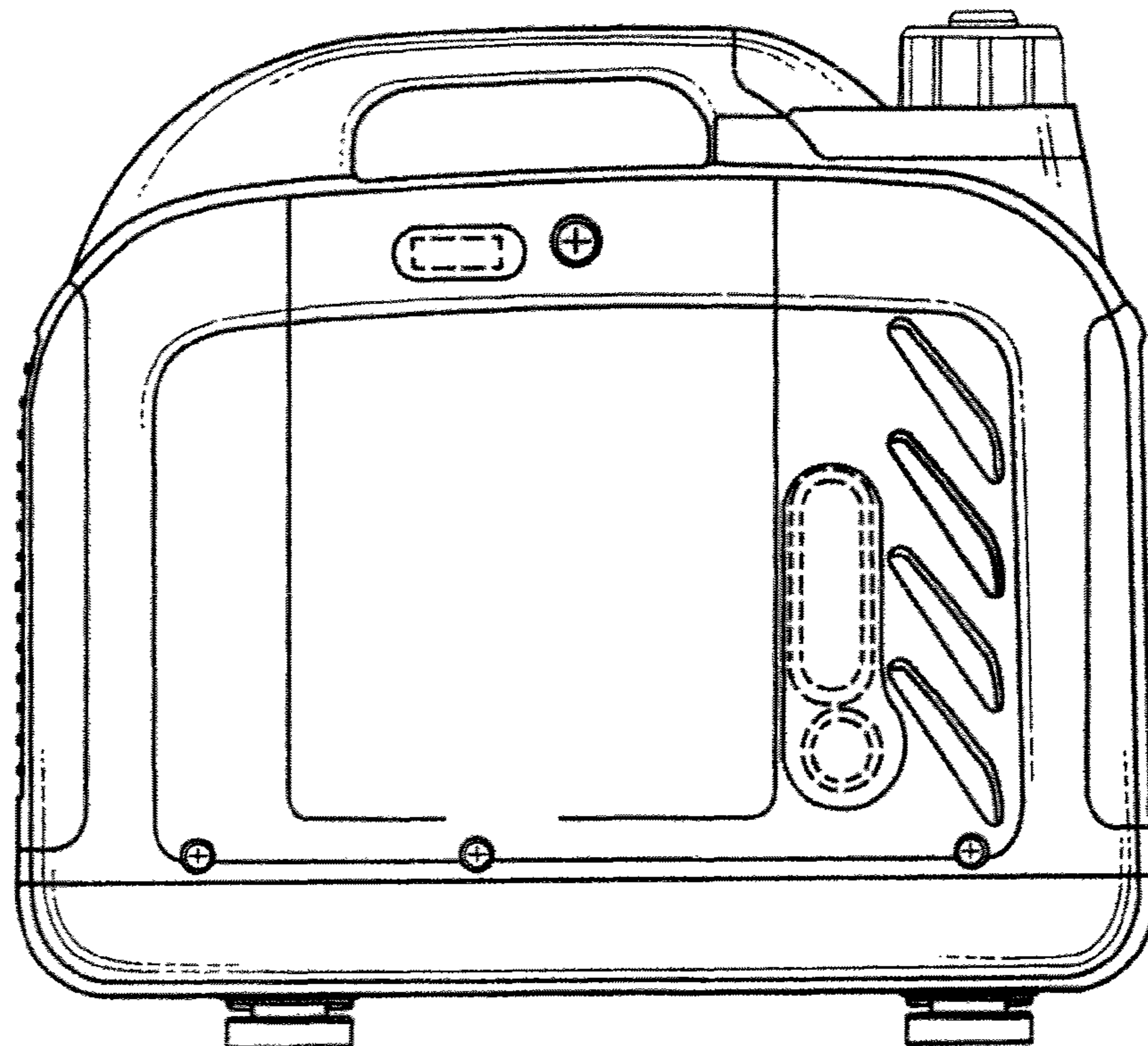


FIG. 2

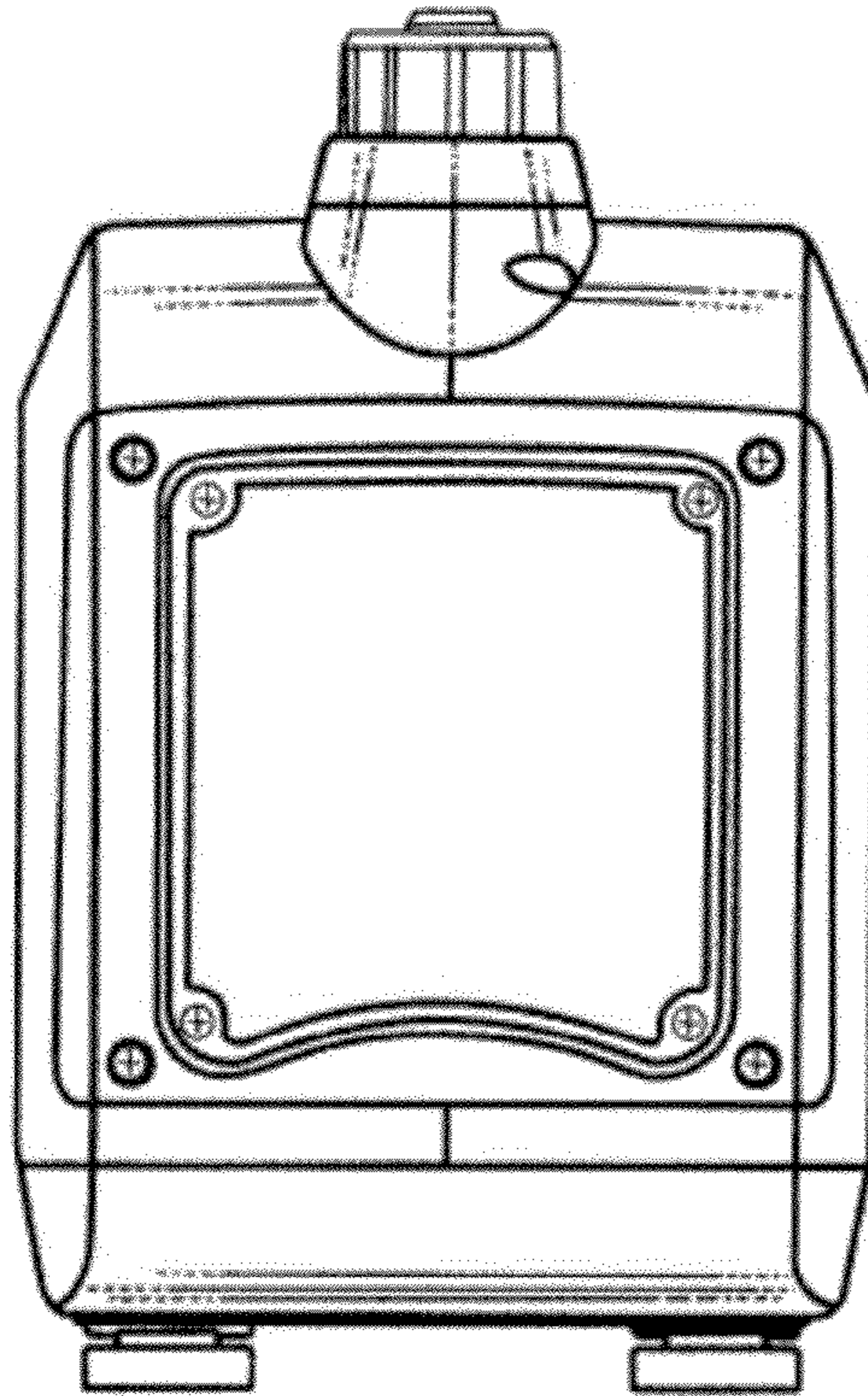


FIG. 3

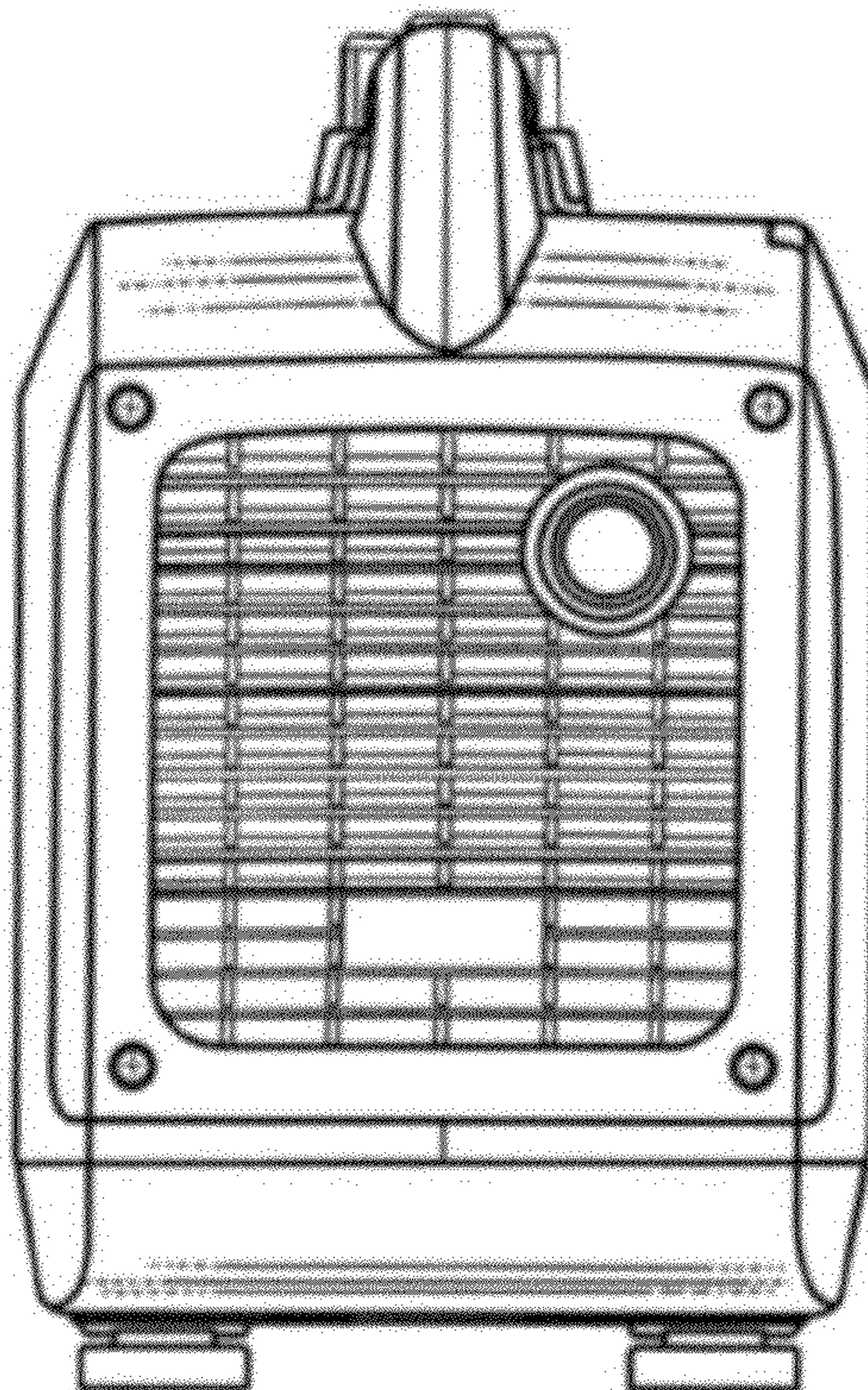


FIG. 4

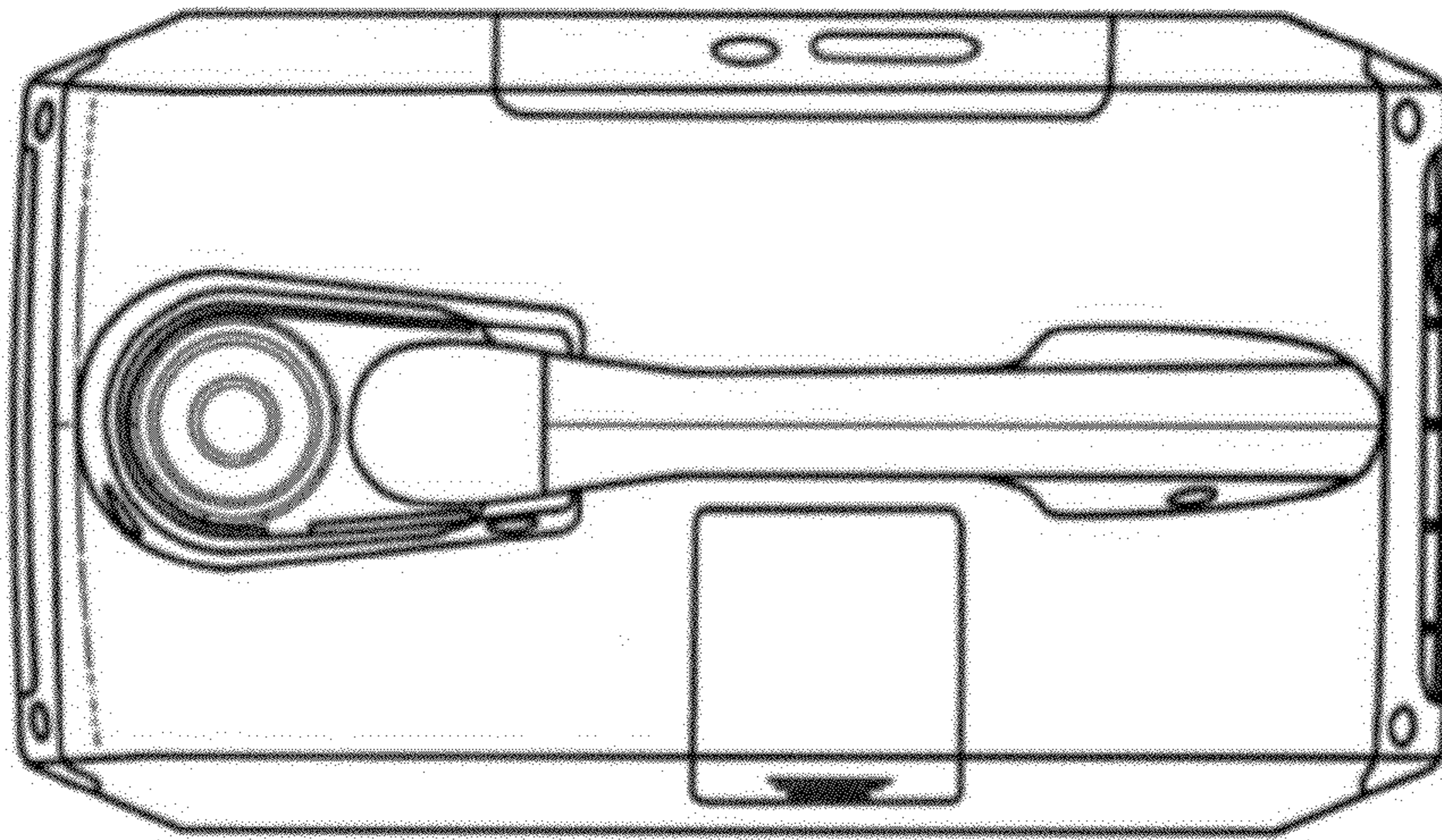


FIG. 5



FIG. 6