



US00D662871S

(12) **United States Design Patent**
Miyazaki

(10) **Patent No.:** **US D662,871 S**
(45) **Date of Patent:** **** Jul. 3, 2012**

(54) **TIRE**

(75) Inventor: **Tetsuji Miyazaki**, Osaka (JP)
(73) Assignee: **Toyo Tire & Rubber Co., Ltd.**, Osaka (JP)

(**) Term: **14 Years**

(21) Appl. No.: **29/379,615**

(22) Filed: **Nov. 22, 2010**

(30) **Foreign Application Priority Data**

Oct. 13, 2010 (JP) 2010-024493

(51) **LOC (9) Cl.** **12-15**

(52) **U.S. Cl.** **D12/517; D12/605**

(58) **Field of Classification Search** D12/505-532,
D12/605, 900-901;
152/209.1-209.9, 209.11-209.19, 209.21-209.28,
152/455

See application file for complete search history.

(56) **References Cited**

U.S. PATENT DOCUMENTS

D582,837 S *	12/2008	D'abrigeon	D12/517
D585,018 S *	1/2009	Shondel	D12/605
D596,555 S *	7/2009	Miyazaki	D12/519
D640,186 S *	6/2011	Miyazaki	D12/605
D647,457 S *	10/2011	Miyazaki	D12/531
D654,425 S *	2/2012	Nomura et al.	D12/517
D654,847 S *	2/2012	Miyazaki	D12/517
D656,089 S *	3/2012	Miyazaki	D12/605

FOREIGN PATENT DOCUMENTS

JP	1071548	3/2000
JP	1112474	4/2001
JP	1211497	5/2004
JP	1290763	12/2006
JP	1334761	5/2008
JP	1347776	11/2008

* cited by examiner

Primary Examiner — Stacia Cadmus

(74) *Attorney, Agent, or Firm* — Sterne, Kessler, Goldstein & Fox PLLC

(57) **CLAIM**

The ornamental design for a tire, as shown and described.

DESCRIPTION

FIG. 1 is a perspective view of a tire showing my new design; FIG. 2 is a front view thereof; FIG. 3 is a rear view thereof; FIG. 4 is a top plan view thereof, for which the bottom plan view is the same; FIG. 5 is a right side view thereof; FIG. 6 is a left side view thereof; FIG. 7 is an enlarged view taken along line 7-7 in FIG. 2; and, FIG. 8 is a cross-sectional view taken along line 8-8 in FIG. 5 and line 8'-8' in FIG. 7.

In the drawings, the broken lines defining portions of the sidewall, inner bead, and the peripheral boundary between the claimed tire tread and sidewall, and the unclaimed portion of the sidewall depict environmental subject matter that forms no part of the claimed design.

1 Claim, 8 Drawing Sheets

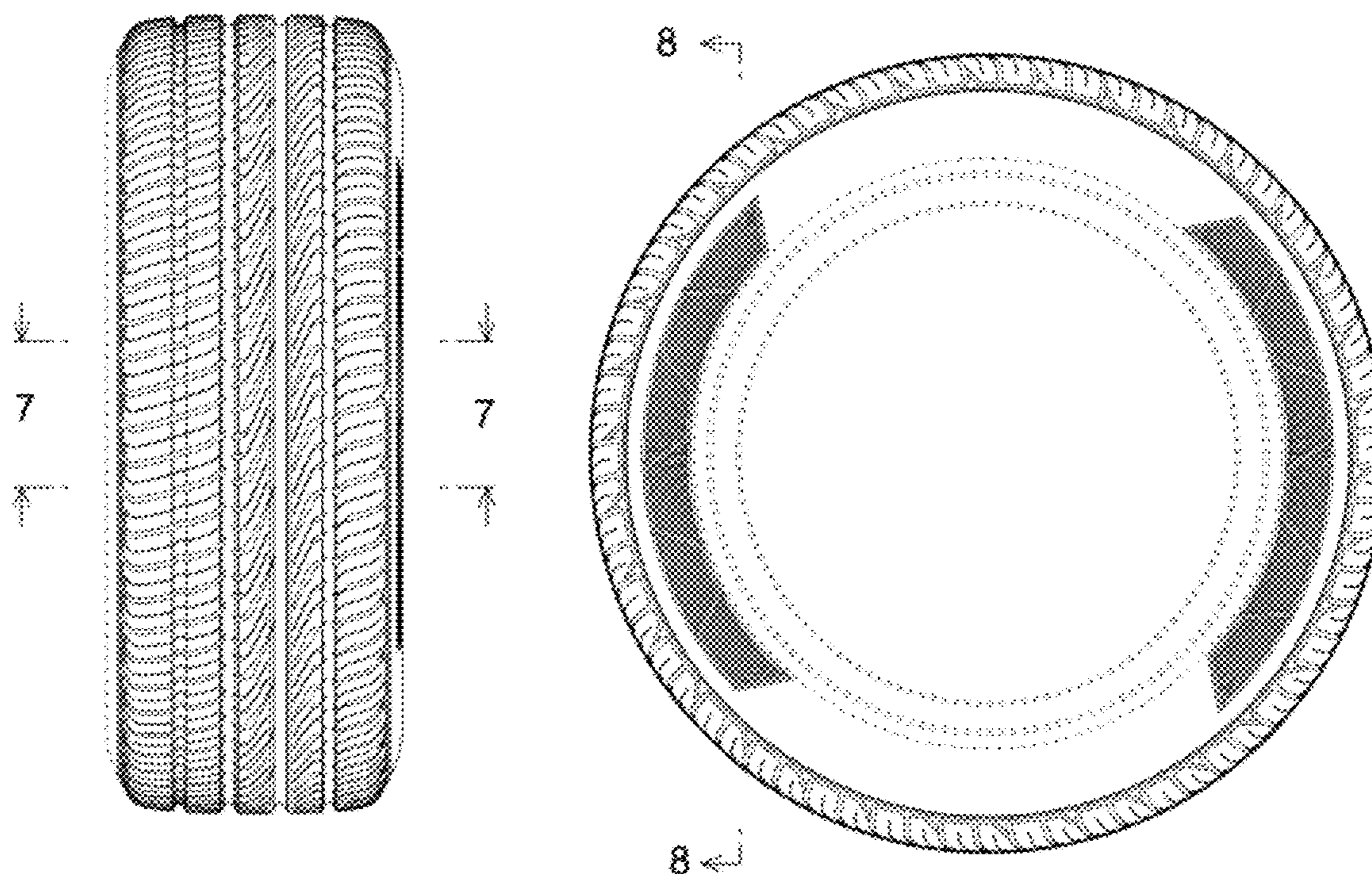




FIG. 1

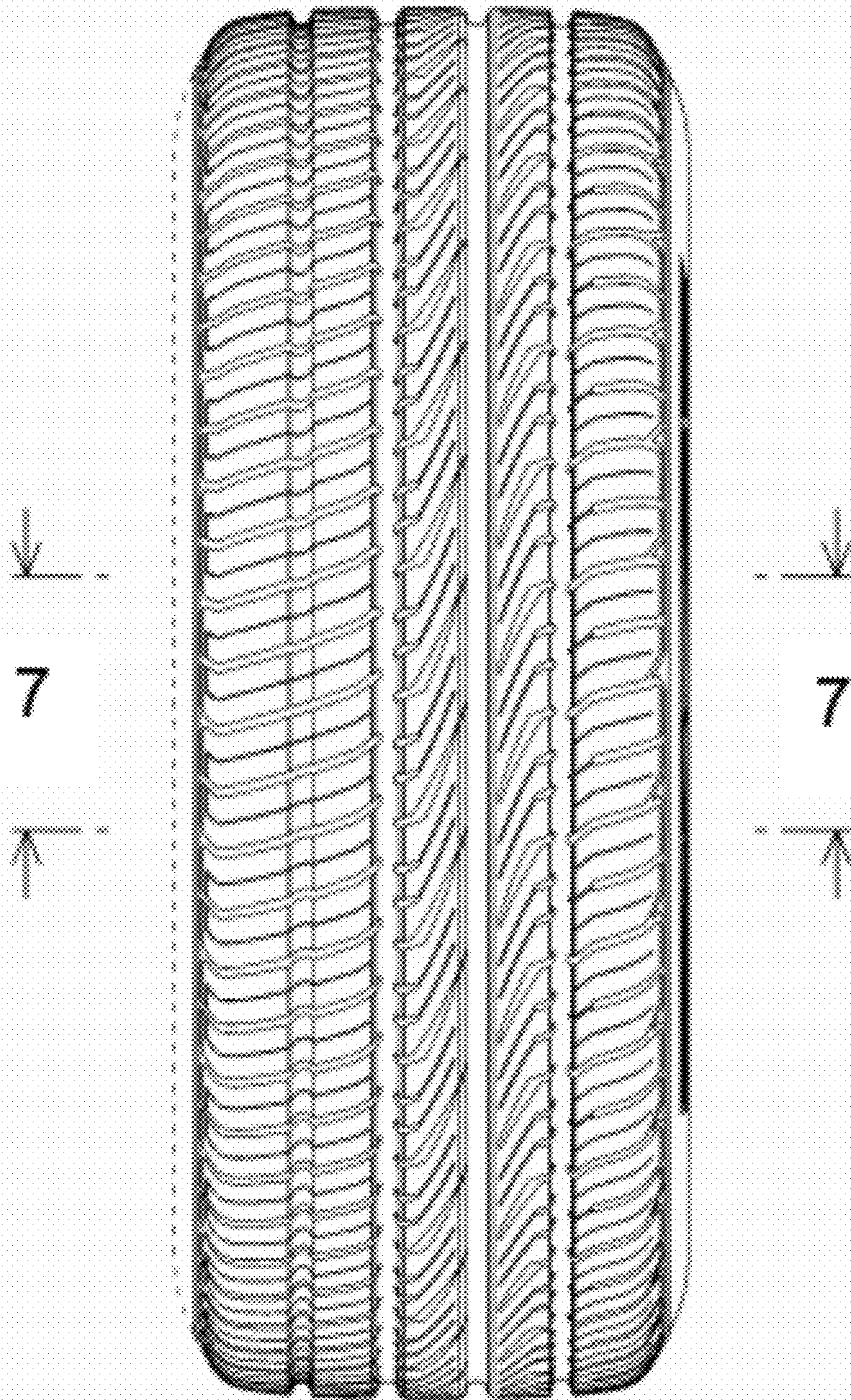


FIG. 2

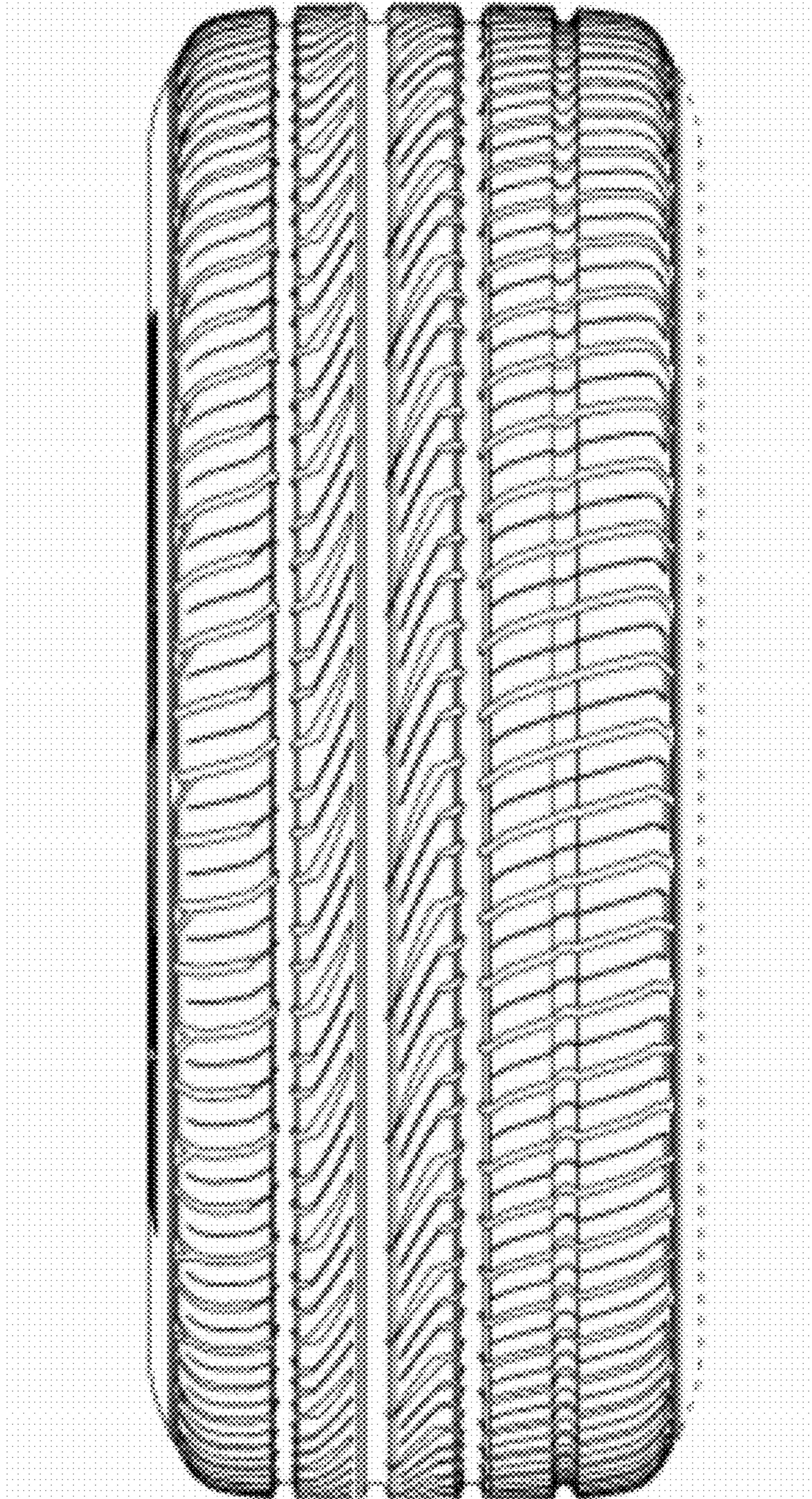


FIG. 3

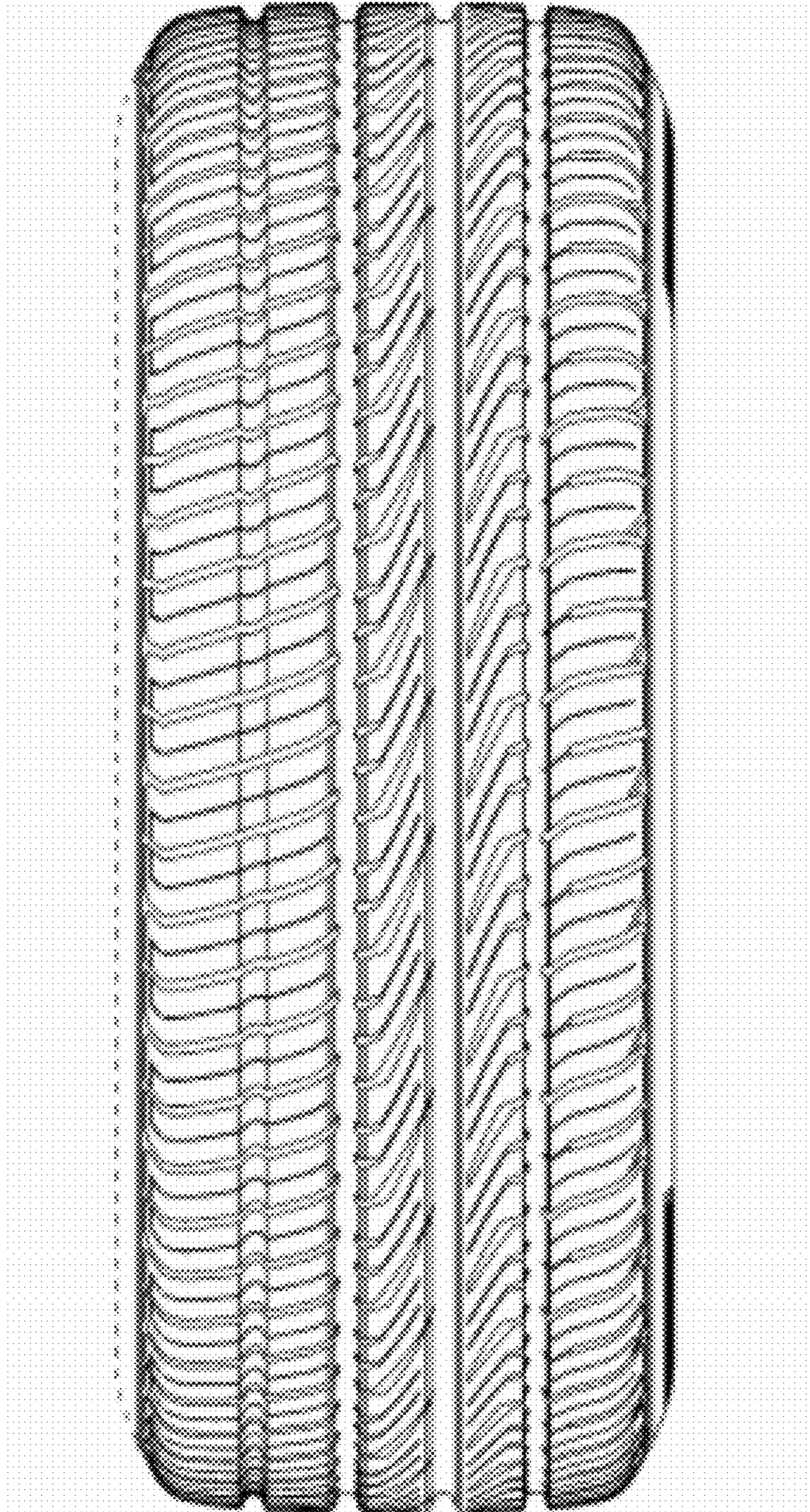


FIG. 4

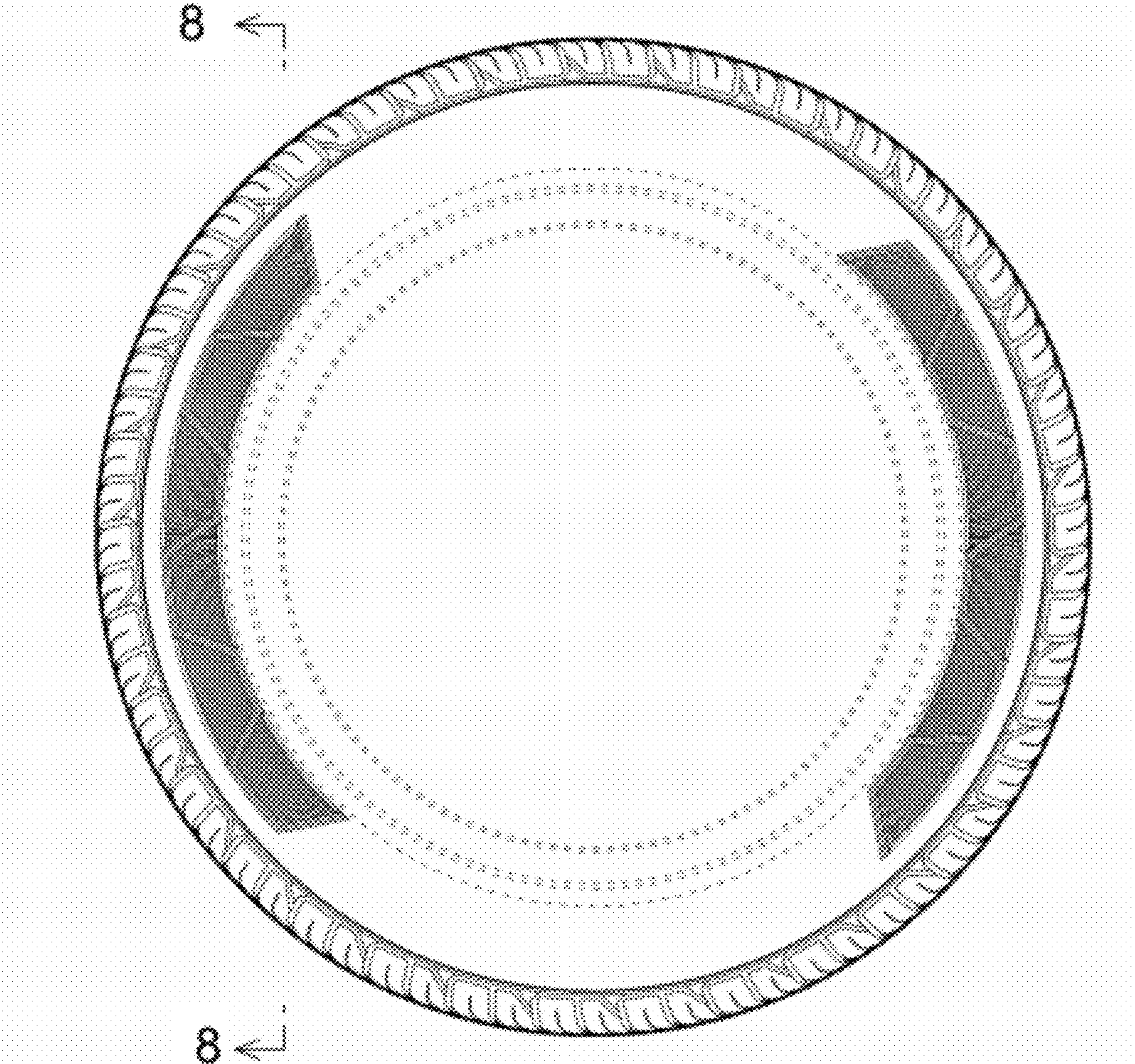


FIG. 5

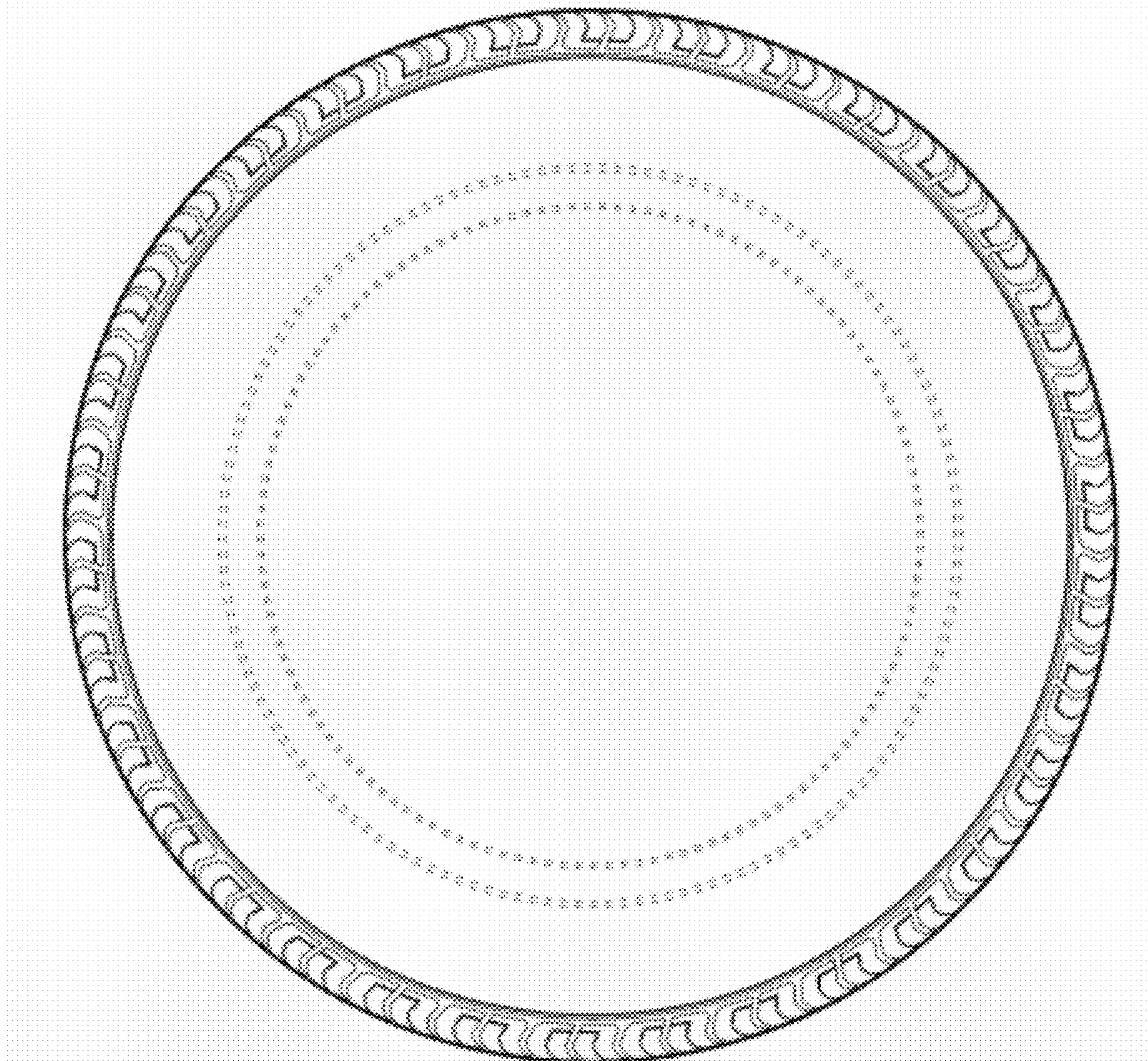


FIG. 6

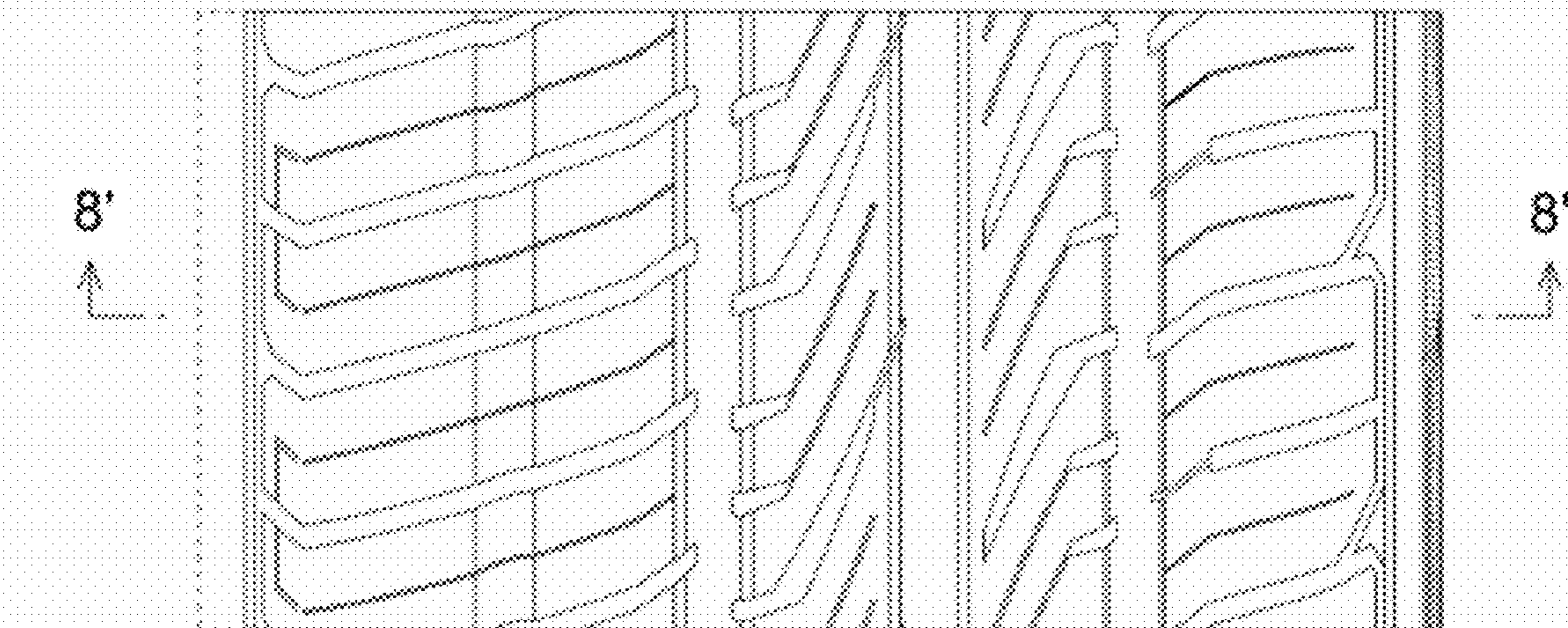


FIG. 7

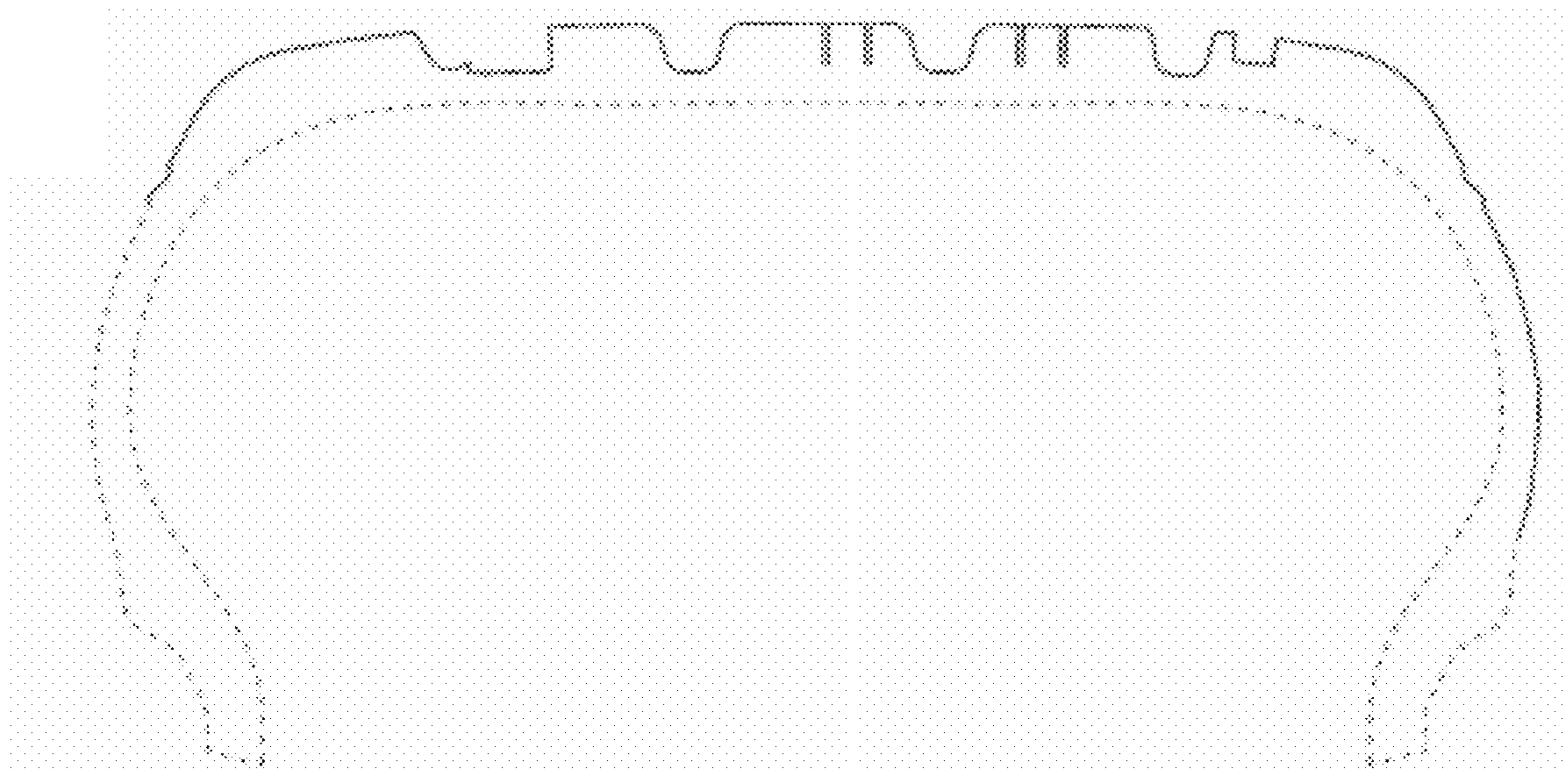


FIG. 8