



US00D662870S

(12) **United States Design Patent**
Russ

(10) **Patent No.:** **US D662,870 S**

(45) **Date of Patent:** **** Jul. 3, 2012**

(54) **VENTILATED CANOPY FOR A VEHICLE**

(76) Inventor: **William Russ**, Belhaven, NC (US)

(**) Term: **14 Years**

(21) Appl. No.: **29/410,770**

(22) Filed: **Jan. 12, 2012**

(51) **LOC (9) Cl.** **12-16**

(52) **U.S. Cl.** **D12/404**

(58) **Field of Classification Search** D12/401-405;
160/370.21, 370.22, 370.23; 280/770; 150/158,
150/165-167; 296/136.01, 95.1, 84.1, 77.1;
224/328; 135/88.01, 88.1, 91, 93, 95

See application file for complete search history.

(56) **References Cited**

U.S. PATENT DOCUMENTS

1,518,319 A	12/1924	Freedman et al.
D90,439 S	8/1933	Foley
D100,239 S	6/1936	Woodward et al.
D249,703 S	9/1978	Zimmerman et al.
D257,637 S	12/1980	Armbruster
D259,138 S	5/1981	Giles
D259,508 S	6/1981	Giles
D266,923 S	11/1982	Parks et al.
D277,027 S	1/1985	Waltz et al.
D285,546 S	9/1986	Hayslette

(Continued)

Primary Examiner — Caron D Veynar

Assistant Examiner — Katrina A Betton

(74) *Attorney, Agent, or Firm* — Maier & Maier, PLLC

(57) **CLAIM**

The ornamental design for a ventilated canopy for a vehicle, as shown and described.

DESCRIPTION

FIG. 1 is a top perspective view of a first embodiment of a ventilated canopy for a vehicle, showing my design;

FIG. 2 is a top view of the first embodiment;

FIG. 3 is a front view of the first embodiment;

FIG. 4 is a rear view of the first embodiment;

FIG. 5 is a left side view of the first embodiment, the right side view being a mirror image thereof;

FIG. 6 is a top perspective view of a second embodiment of a ventilated canopy for a vehicle, showing my design;

FIG. 7 is a top view of the second embodiment;

FIG. 8 is a front view of the second embodiment;

FIG. 9 is a rear view of the second embodiment;

FIG. 10 is a left side view of the second embodiment, the right side view being a mirror image thereof;

FIG. 11 is a bottom view common to both embodiments;

FIG. 12 is a bottom view common to both embodiments, with the fan bracket portion removed so as to show the aperture in the canopy;

FIG. 13 is a bottom perspective view of the fan bracket portion shown separately for clarity of disclosure this bracket is common to both embodiments;

FIG. 14 is a bottom view of the fan bracket portion, the top view being a mirror image thereof;

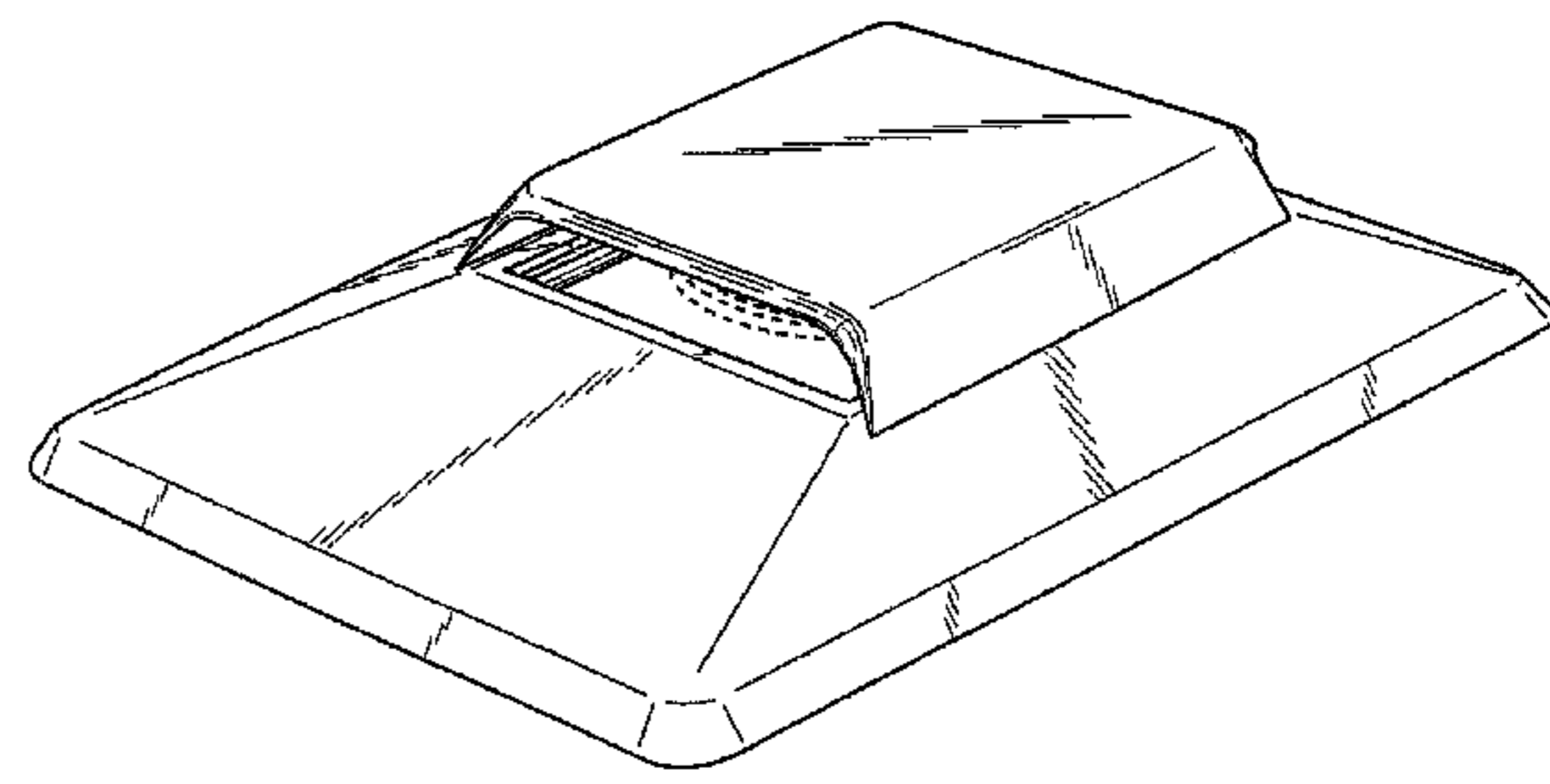
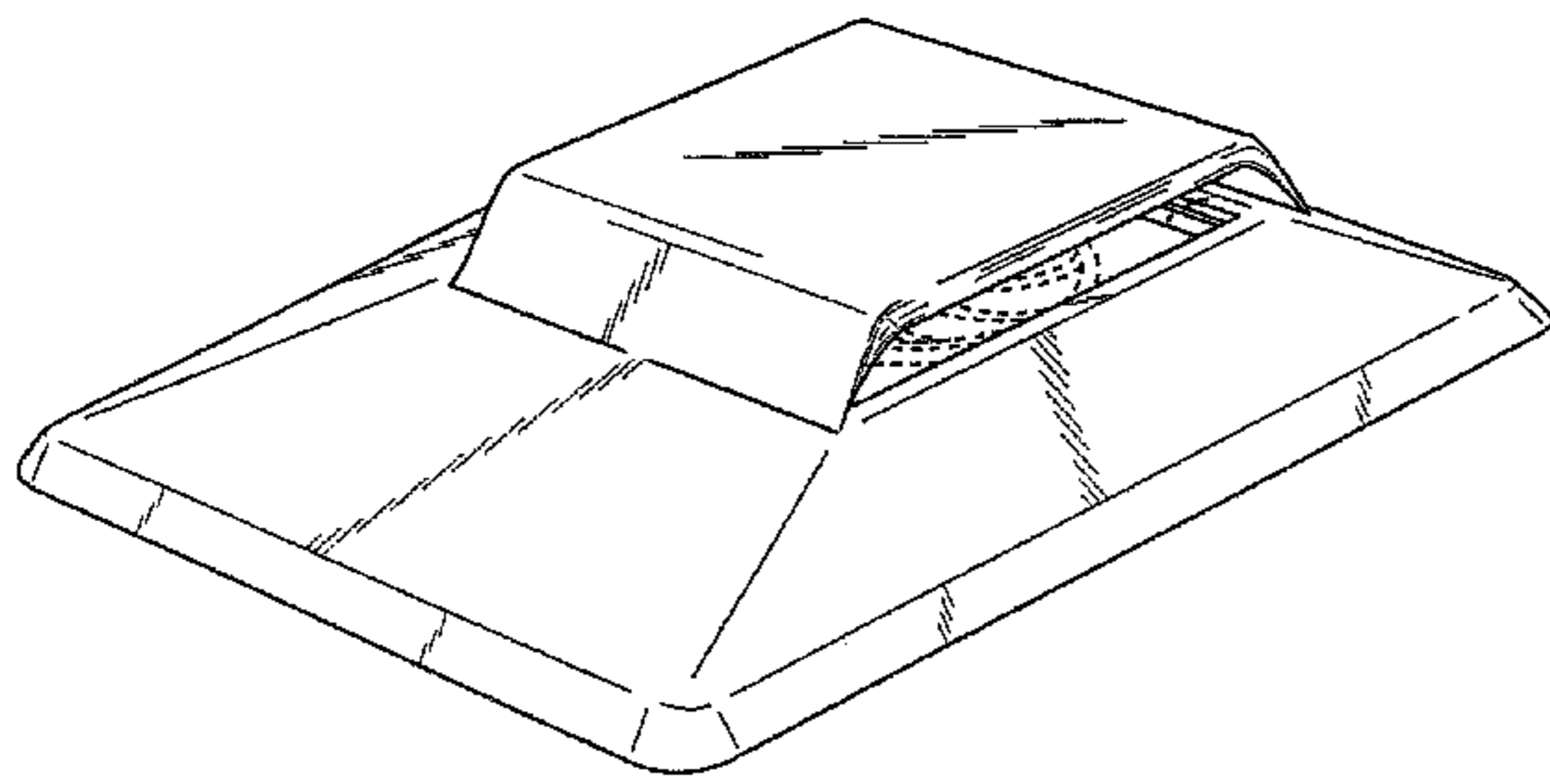
FIG. 15 is a left side view of the fan bracket portion, the right side view being a mirror image thereof;

FIG. 16 is a front view of the fan bracket portion; and,

FIG. 17 is a rear view of the fan bracket portion.

In the drawings, the broken lines depict a fan and form no part of the claim.

1 Claim, 9 Drawing Sheets



US D662,870 S

Page 2

U.S. PATENT DOCUMENTS

D329,690 S	9/1992	Herrick et al.		D541,917 S	5/2007	Pfeiffer	
D352,494 S	* 11/1994	Hubbach et al.	D12/401	D549,639 S	* 8/2007	Tuo	D12/401
D385,845 S	* 11/1997	Wagner	D12/401	D550,145 S	* 9/2007	Fisker et al.	D12/401
D472,870 S	* 4/2003	Friedrich	D12/404	D556,314 S	11/2007	Daniels, II et al.	
D481,987 S	* 11/2003	MacWilliam et al.	D12/401	D585,811 S	* 2/2009	Win	D12/401
D483,317 S	* 12/2003	Dowdey	D12/404	D586,721 S	* 2/2009	Hildebrand et al.	D12/401
D483,716 S	* 12/2003	Dowdey	D12/404	D598,534 S	8/2009	Marchesini	
D489,672 S	* 5/2004	Robinson et al.	D12/401	D621,777 S	* 8/2010	Shmul	D12/401
D491,876 S	* 6/2004	Geisler et al.	D12/401	D625,680 S	* 10/2010	de Waal	D12/404
D495,041 S	8/2004	Thomas		D629,093 S	12/2010	Polston	
D496,618 S	* 9/2004	Nakajima et al.	D12/195	D654,422 S	* 2/2012	Saracoglu	D12/401
D497,872 S	* 11/2004	Bonner et al.	D12/401				

* cited by examiner

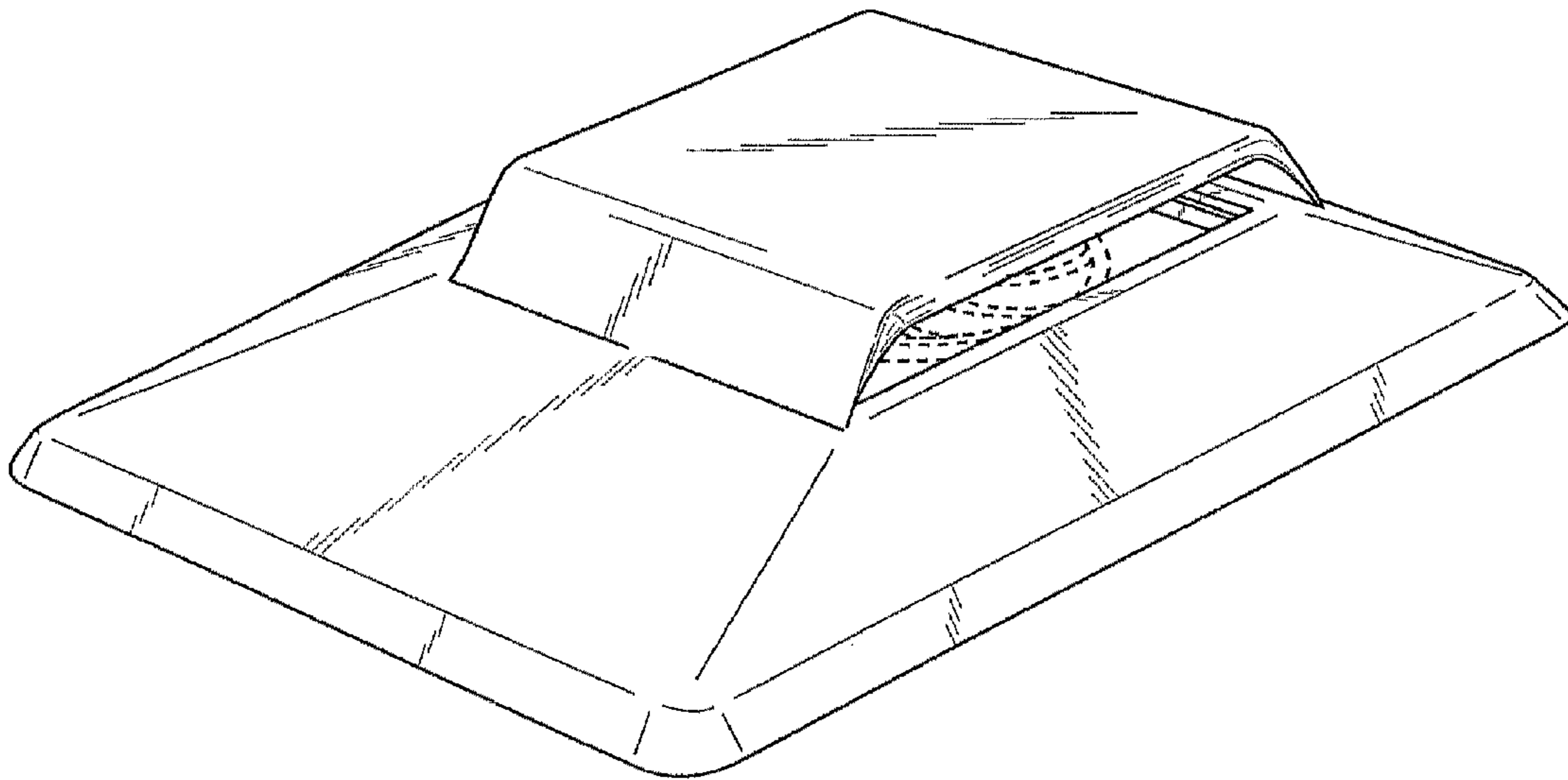


Fig. 1

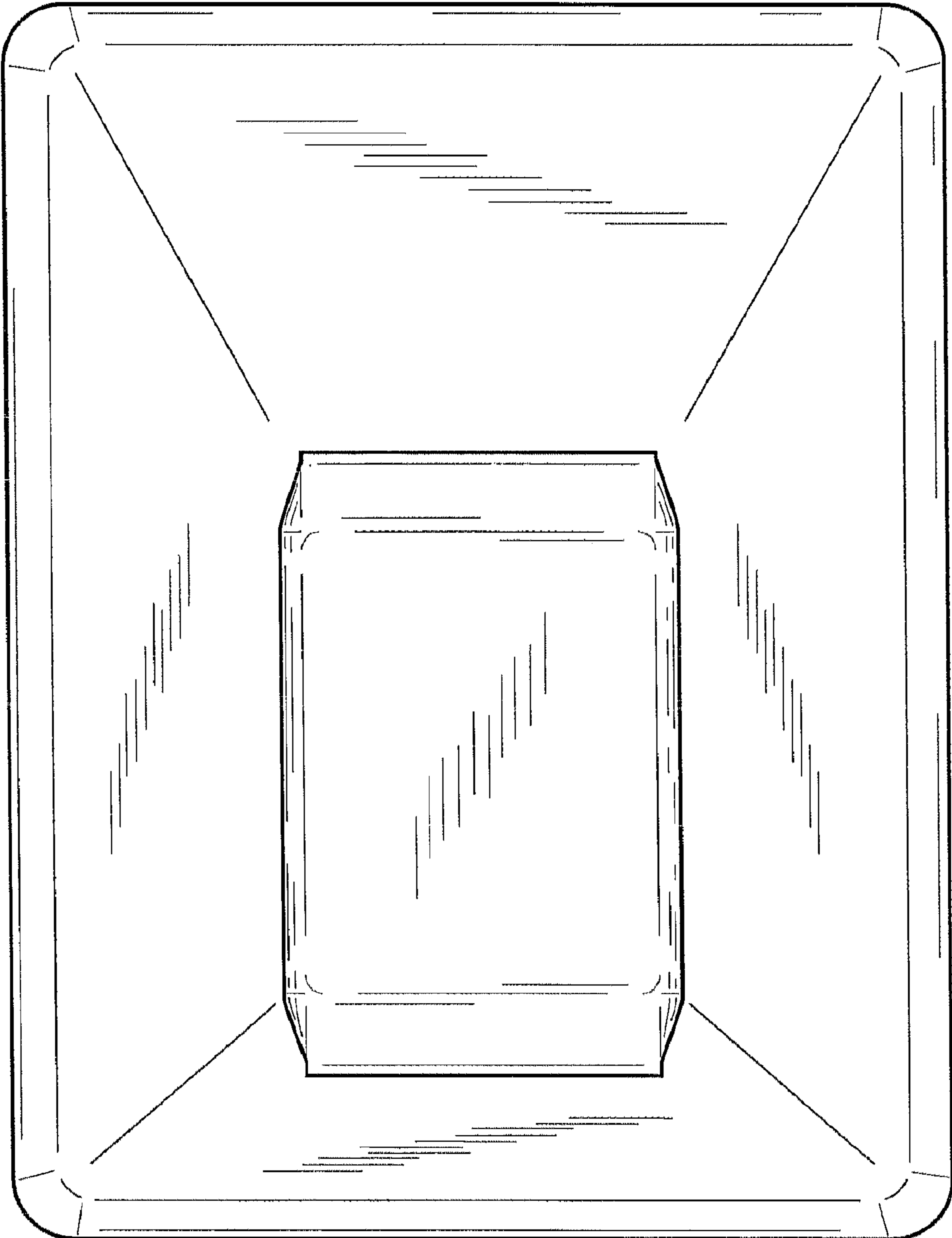


Fig. 2

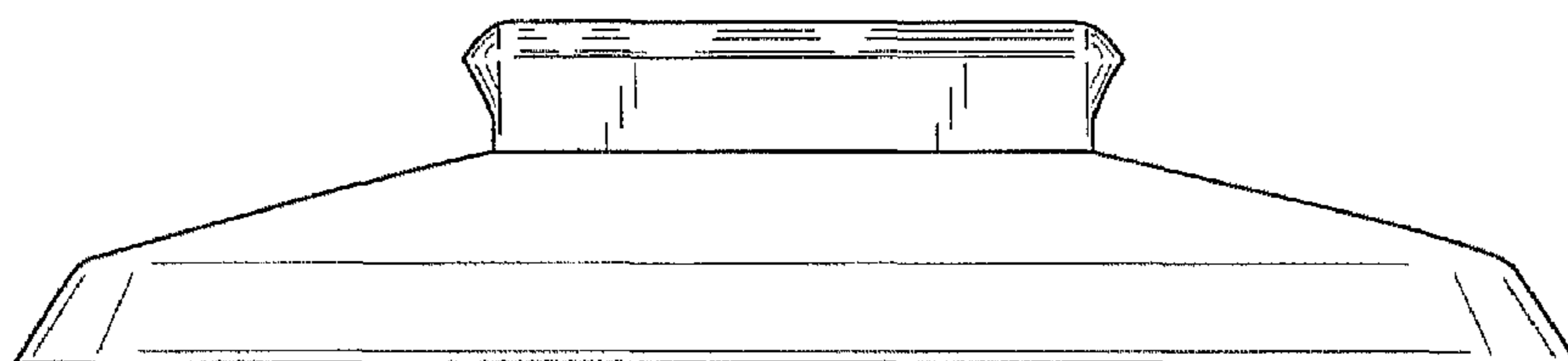


Fig. 3

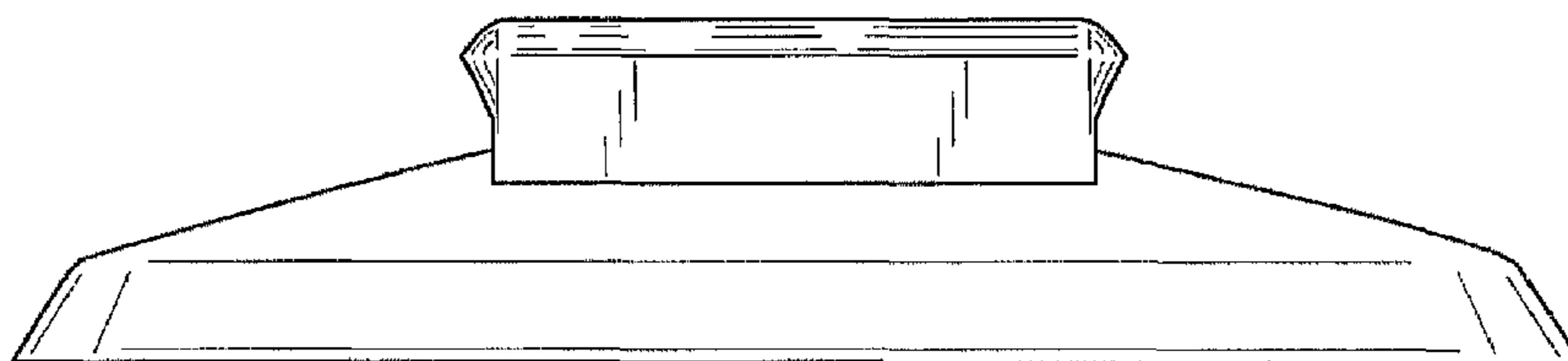


Fig. 4

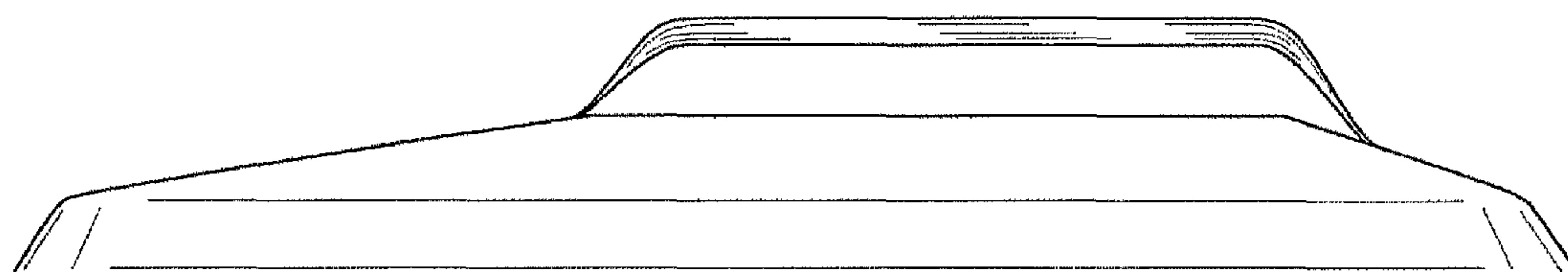


Fig. 5

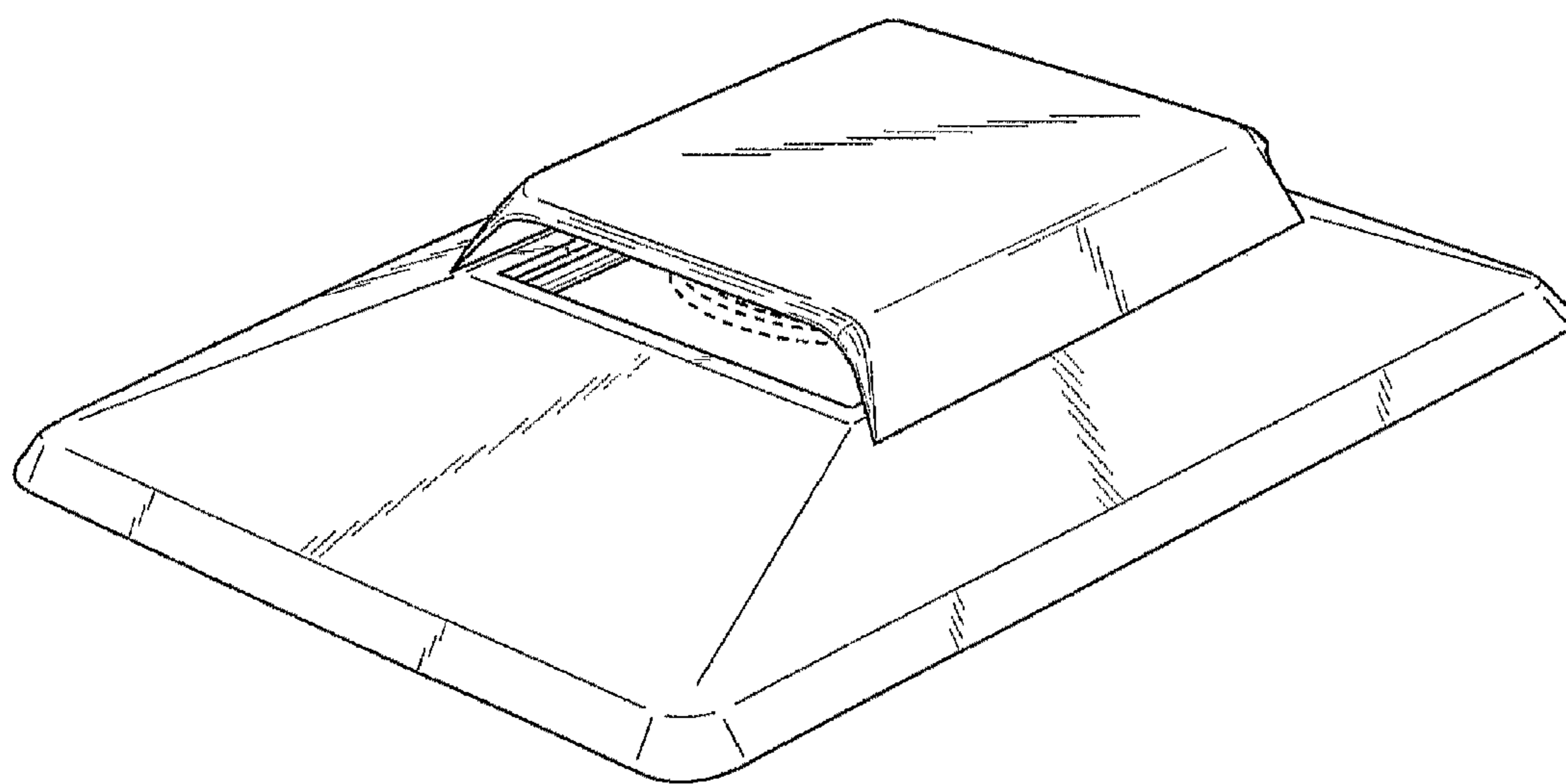


Fig. 6

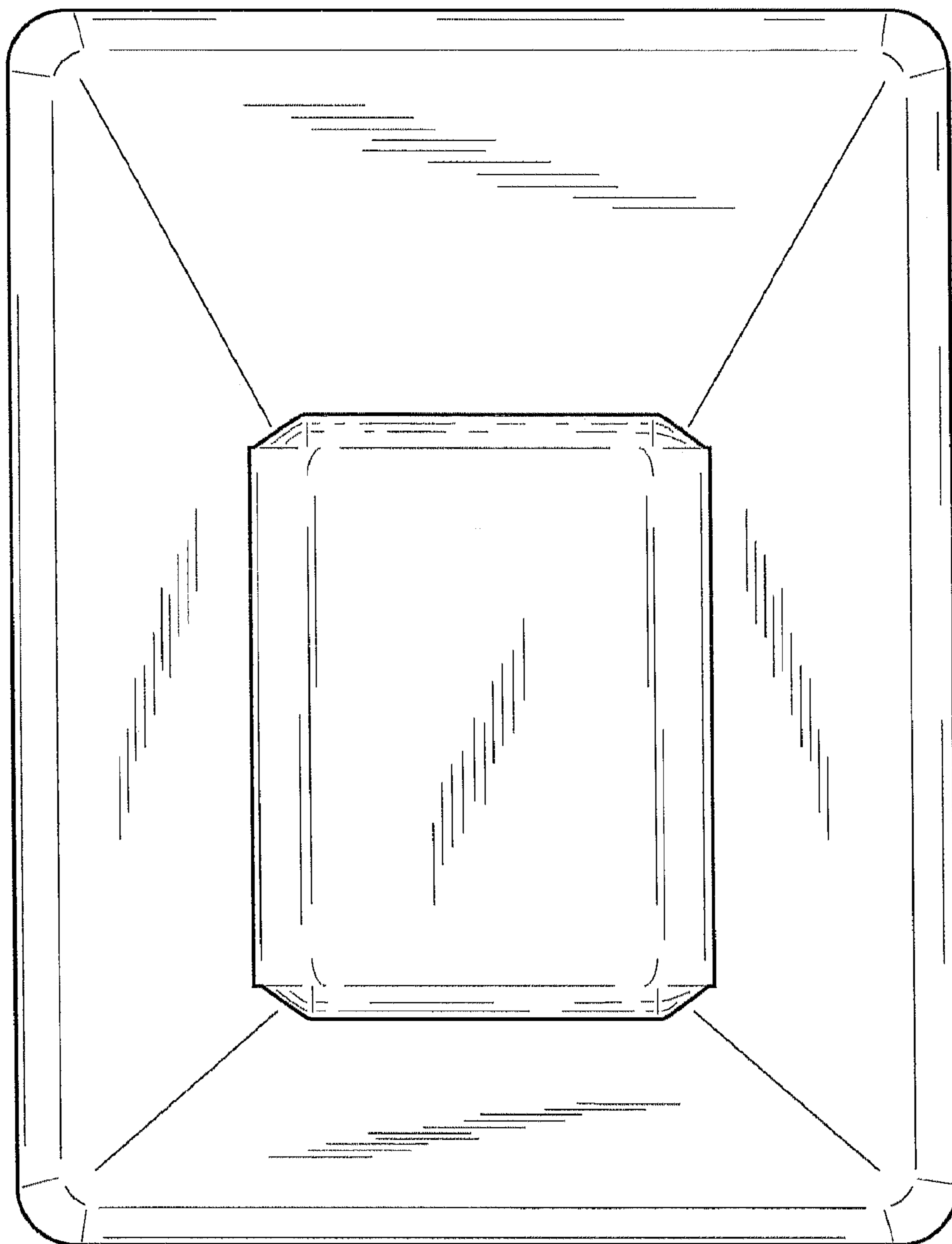


Fig. 7

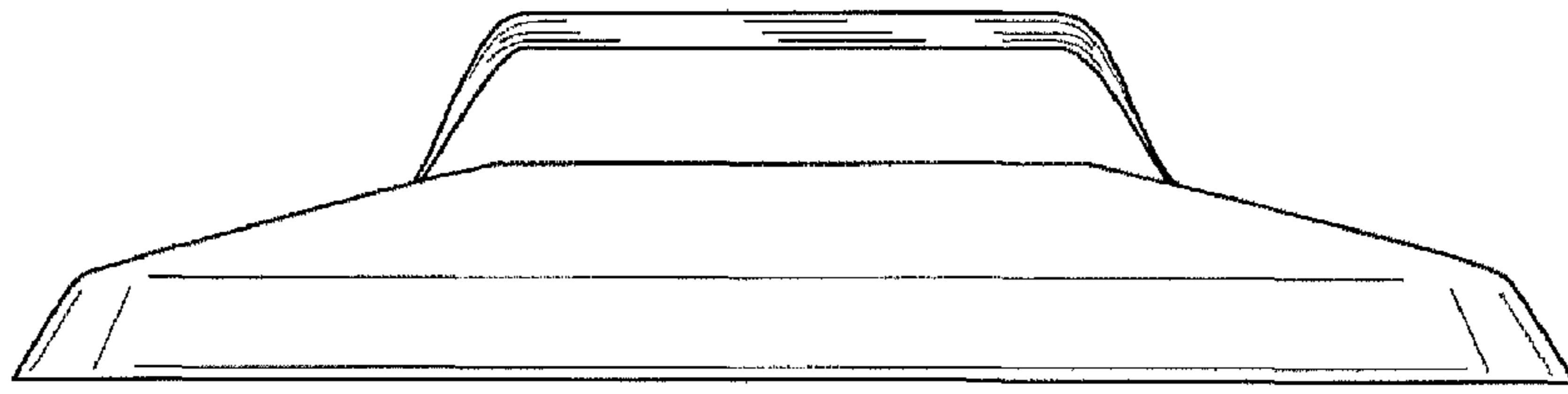


Fig. 8

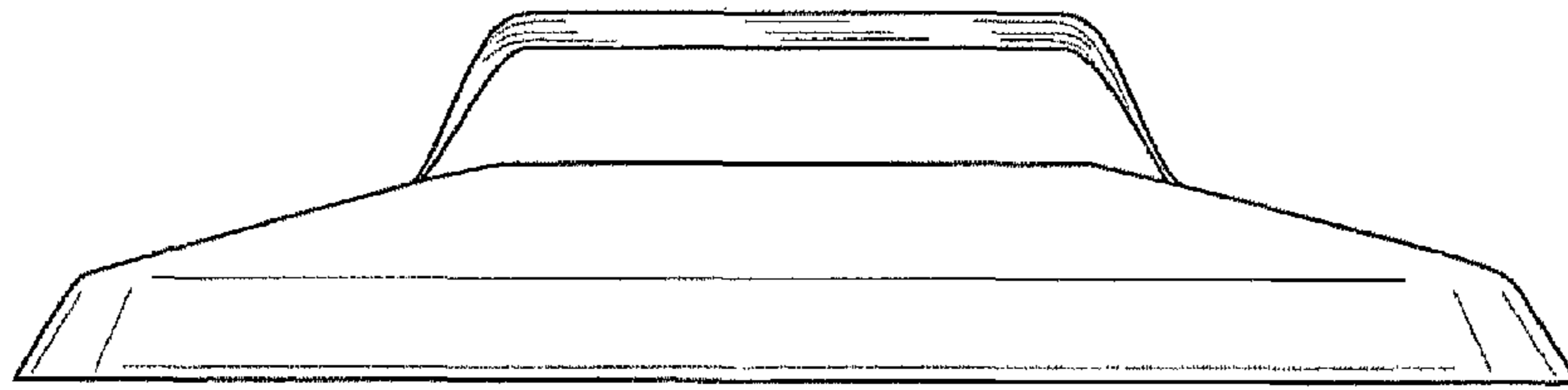


Fig. 9

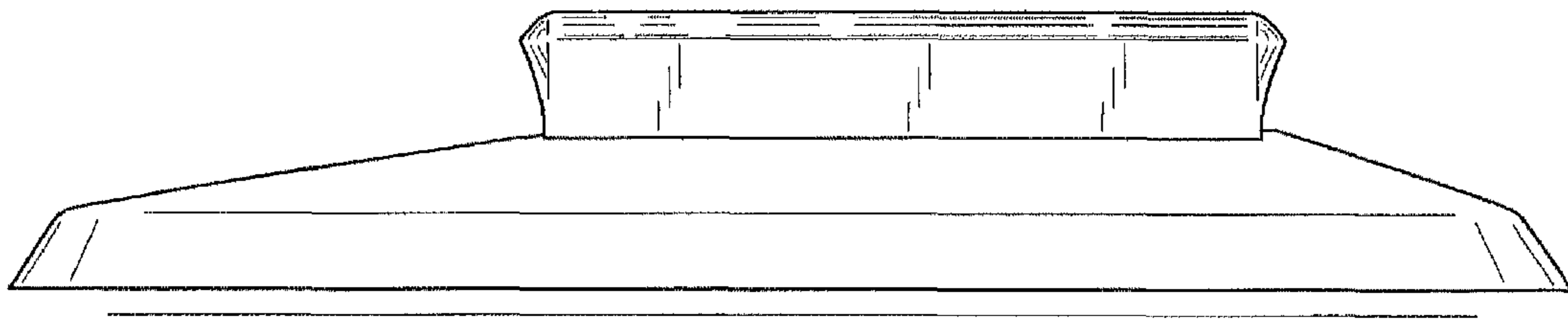


Fig. 10

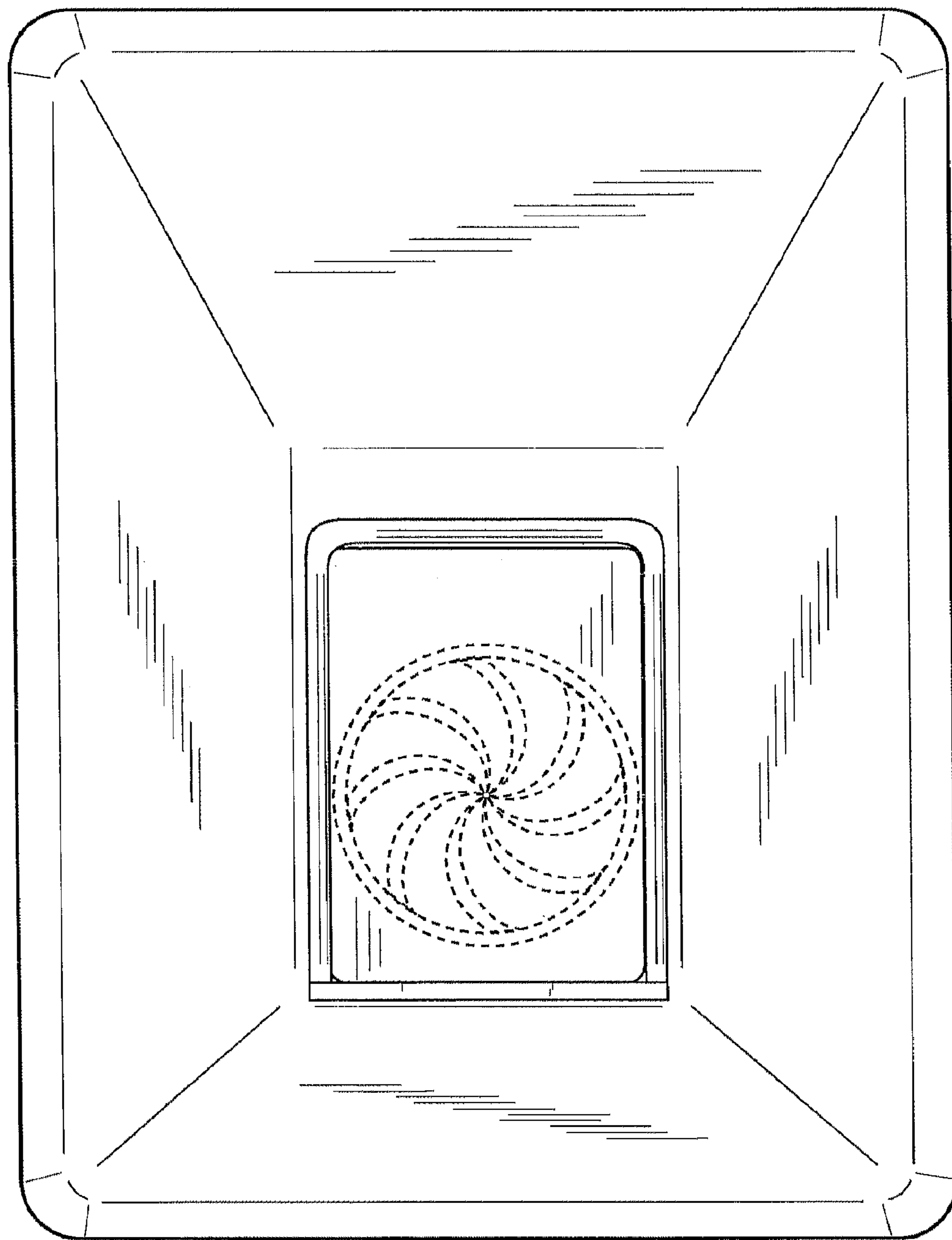


Fig. 11

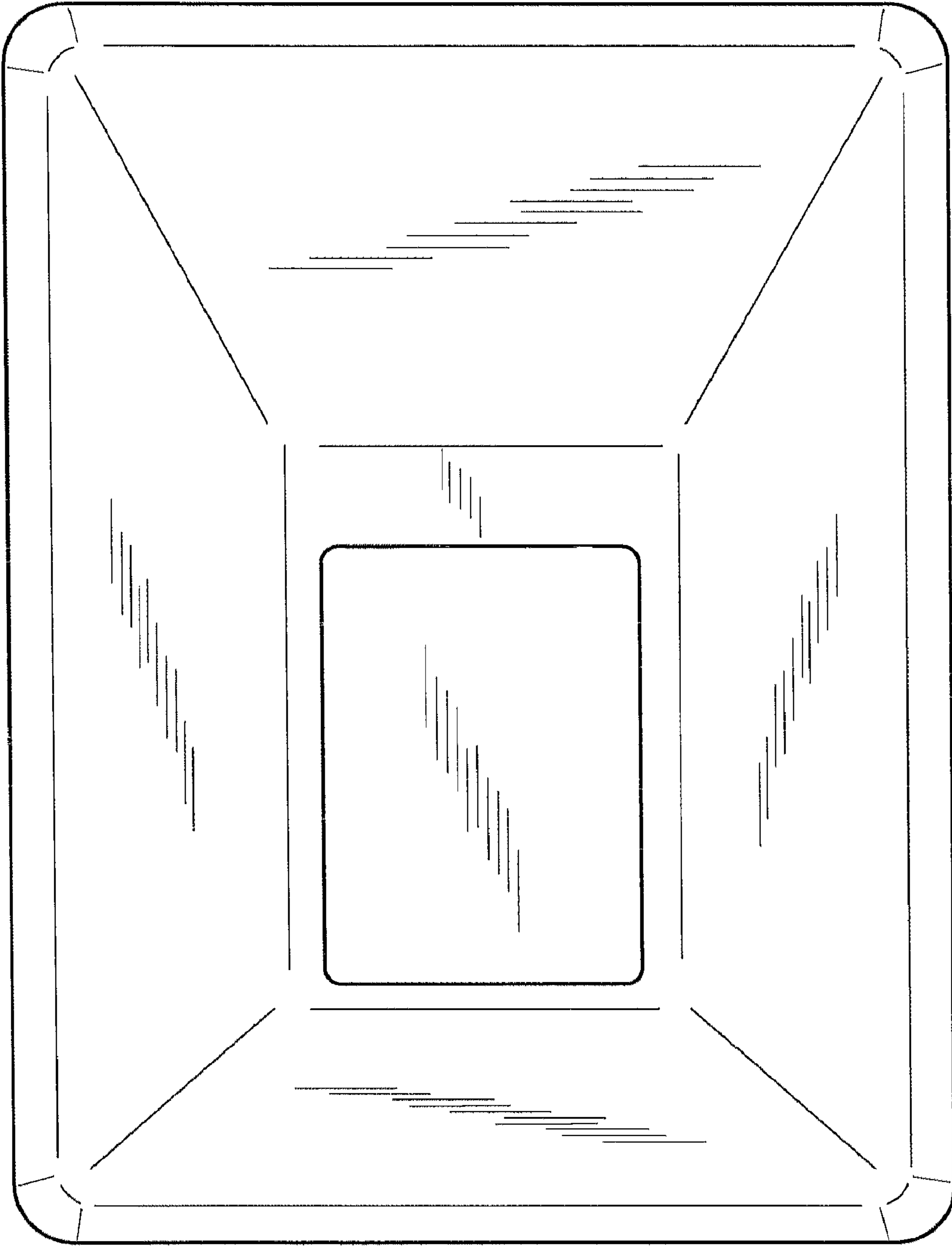


Fig. 12

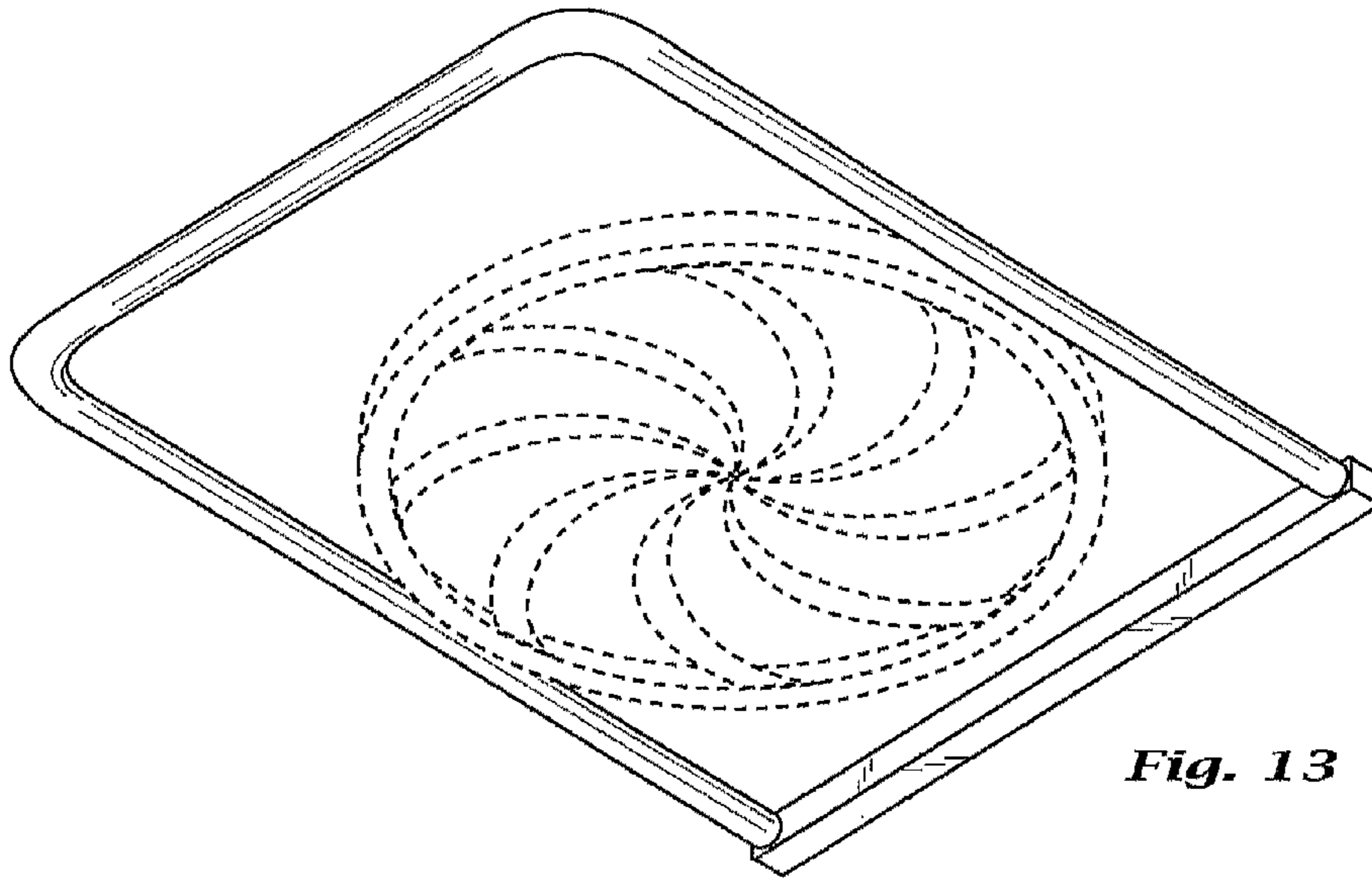


Fig. 13

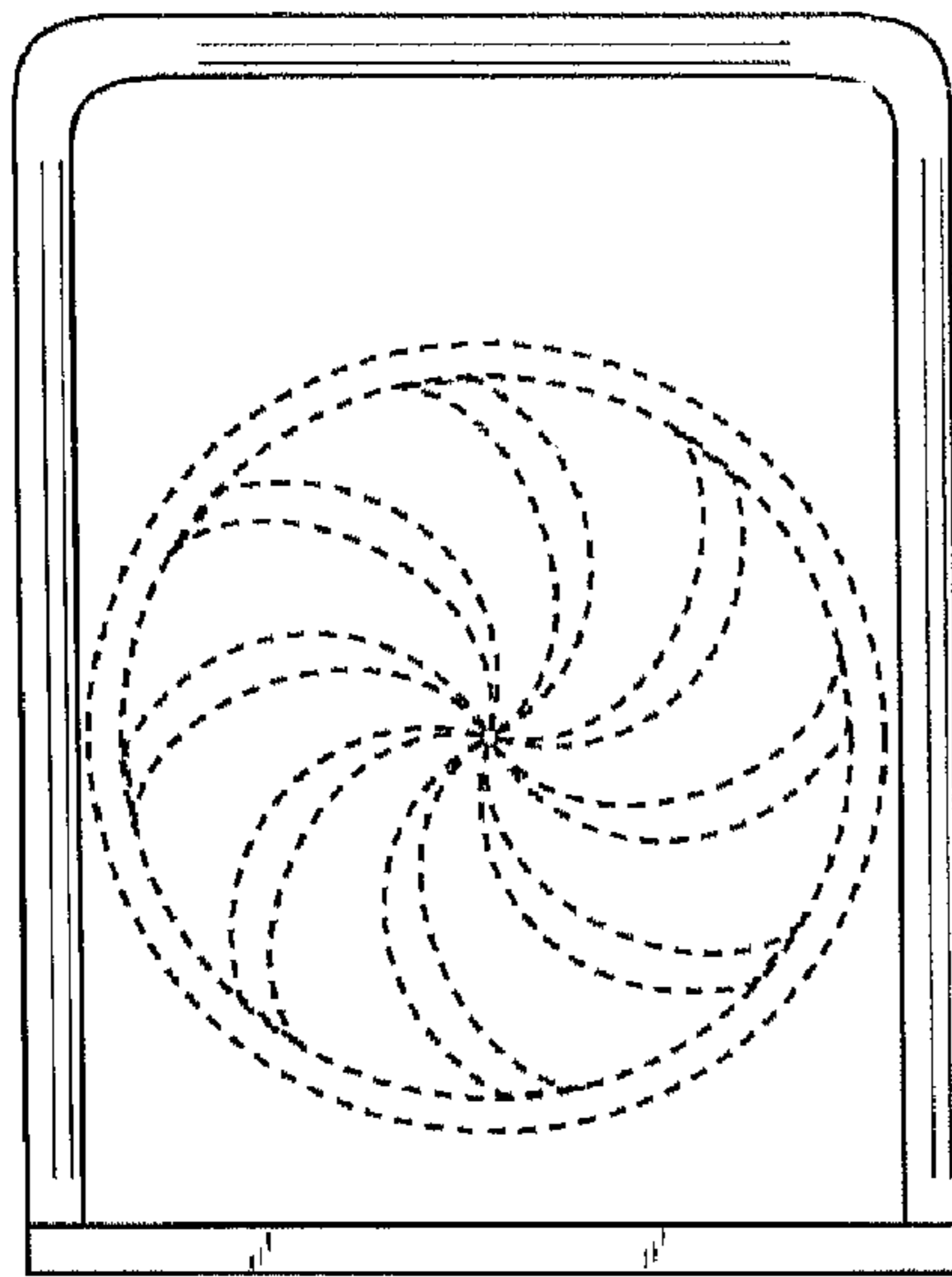


Fig. 14

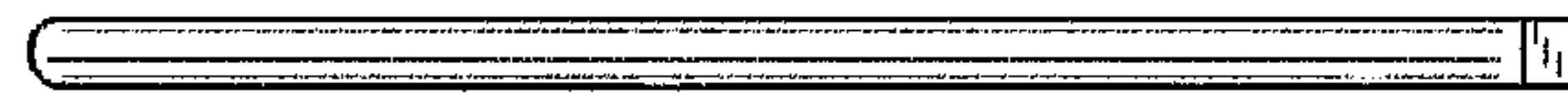


Fig. 15

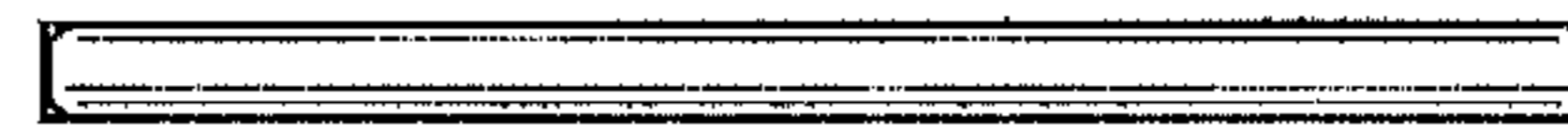


Fig. 16

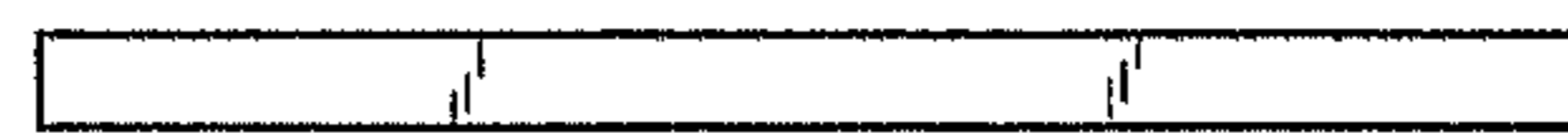


Fig. 17