

US00D662867S

(12) **United States Design Patent**  
**Neal et al.**

(10) **Patent No.:** **US D662,867 S**  
(45) **Date of Patent:** **\*\* Jul. 3, 2012**

(54) **TRUCK BUMPER STEP**

(76) Inventors: **Gene Neal**, Mesa, AZ (US); **Kennieth Neal**, Mesa, AZ (US); **Wyatt Ashton**, Mesa, AZ (US)

(\*\*) Term: **14 Years**

(21) Appl. No.: **29/417,350**

(22) Filed: **Apr. 2, 2012**

(51) **LOC (9) Cl.** ..... **12-16**

(52) **U.S. Cl.** ..... **D12/203**

(58) **Field of Classification Search** ..... D12/203,  
D12/162, 172; 224/521; 182/89-92, 150;  
280/163-165, 770, 507; D25/68-69, 62;  
293/117

See application file for complete search history.

(56) **References Cited**

**U.S. PATENT DOCUMENTS**

D330,536 S \* 10/1992 Holloway et al. .... D12/203  
D435,495 S \* 12/2000 McCoy et al. .... D12/162

D463,345 S \* 9/2002 Cipolla ..... D12/203  
D495,283 S \* 8/2004 Ashley et al. .... D12/203  
D511,319 S \* 11/2005 Wang ..... D12/203  
D535,928 S \* 1/2007 Crandall ..... D12/203  
D568,221 S \* 5/2008 Cord et al. .... D12/203  
D588,514 S \* 3/2009 Kudelko et al. .... D12/203  
D645,805 S \* 9/2011 Vukel ..... D12/203

\* cited by examiner

*Primary Examiner* — Stacia Cadmus

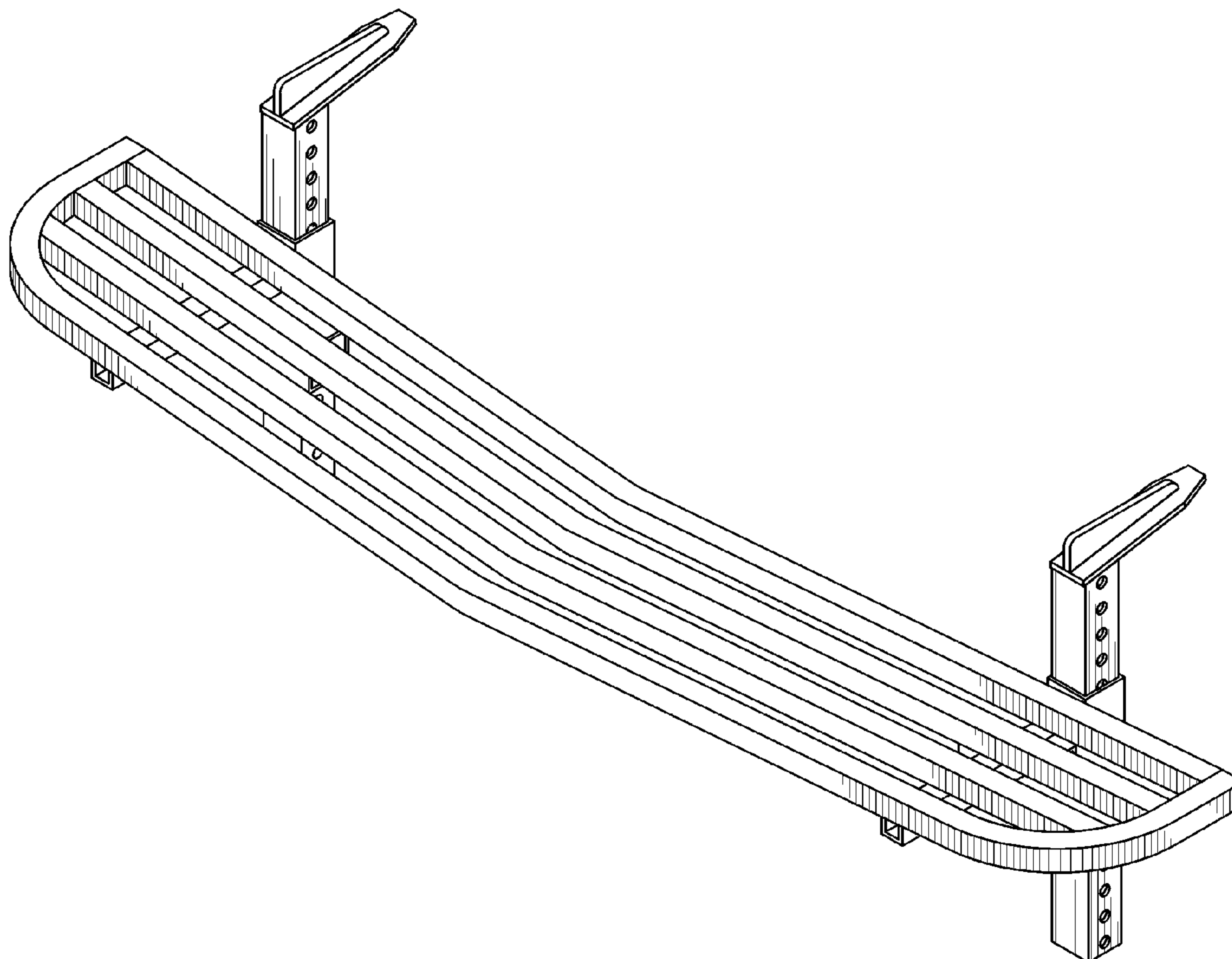
(57) **CLAIM**

The ornamental design for a truck bumper step, as shown.

**DESCRIPTION**

FIG. 1 is a front perspective view of a truck bumper step showing our new design;  
FIG. 2 is a front view thereof;  
FIG. 3 is a right view thereof, the left view being a mirror image thereof;  
FIG. 4 is a top view thereof;  
FIG. 5 is a bottom view thereof; and,  
FIG. 6 is a rear view thereof.

**1 Claim, 6 Drawing Sheets**



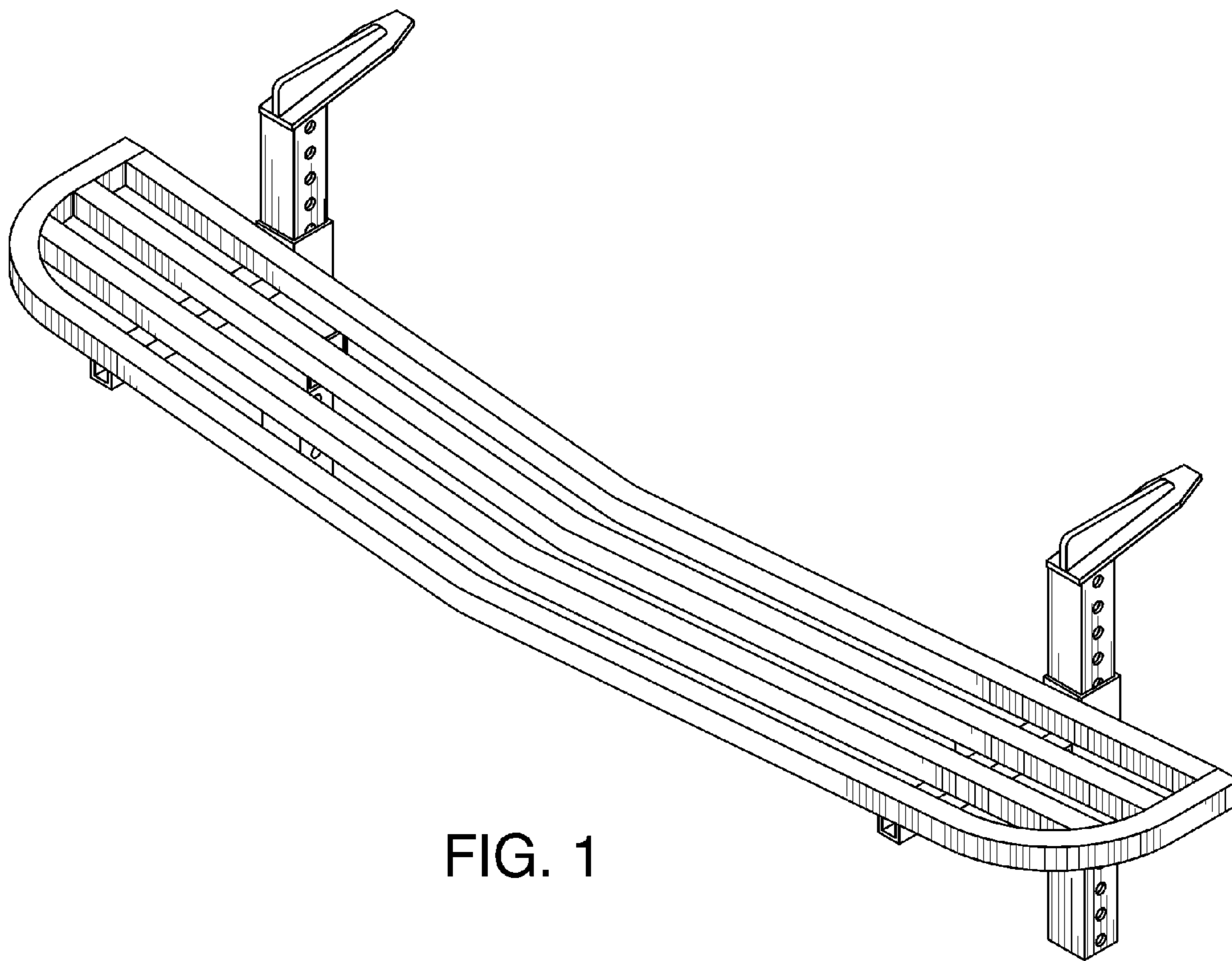


FIG. 1

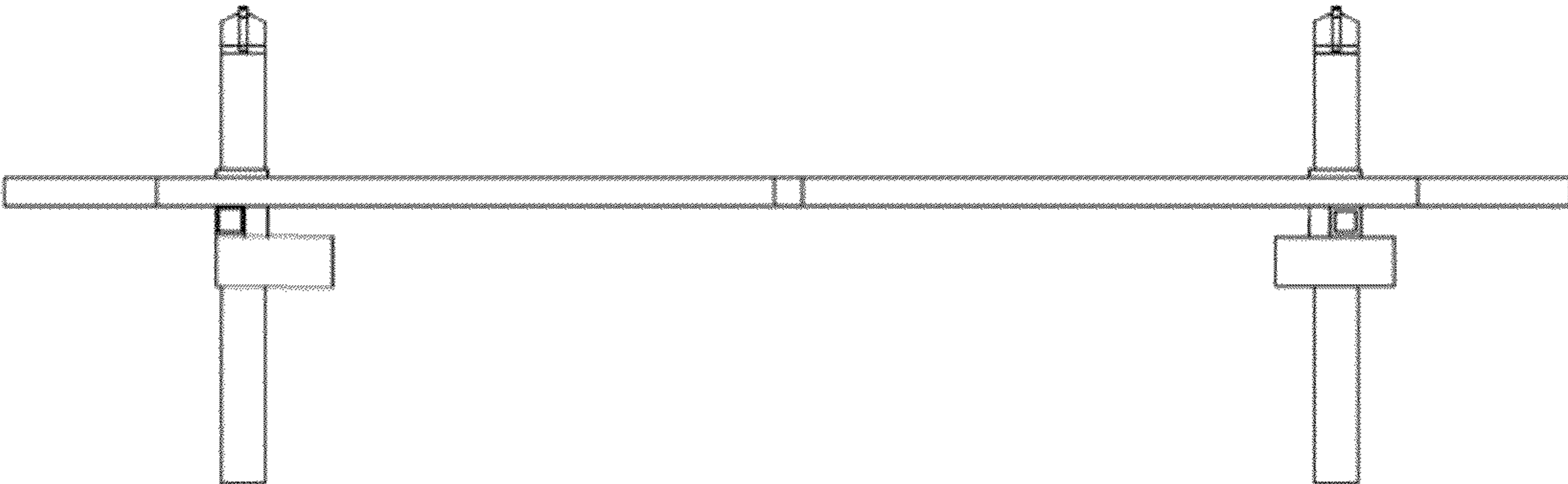


FIG. 2

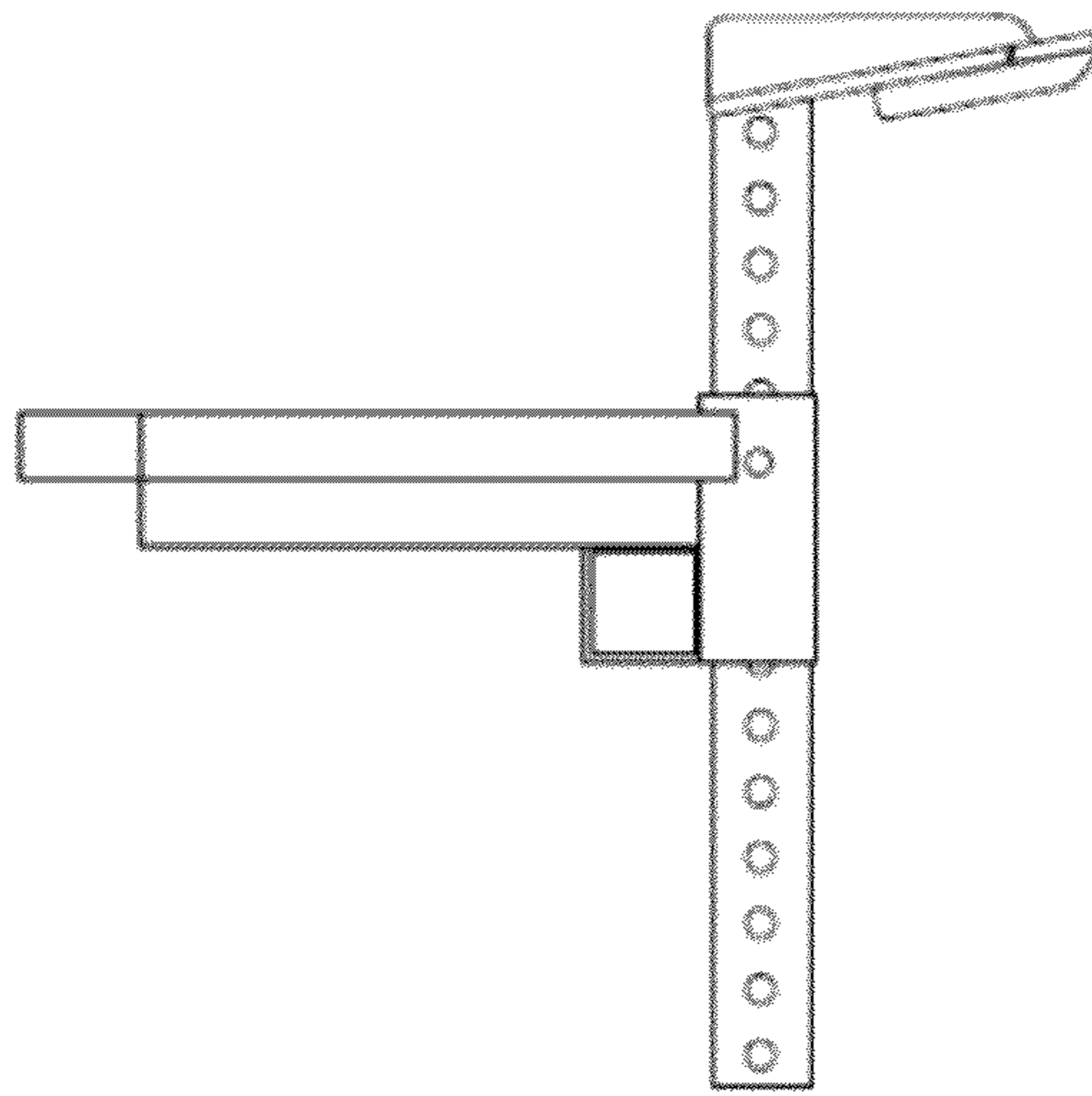


FIG. 3

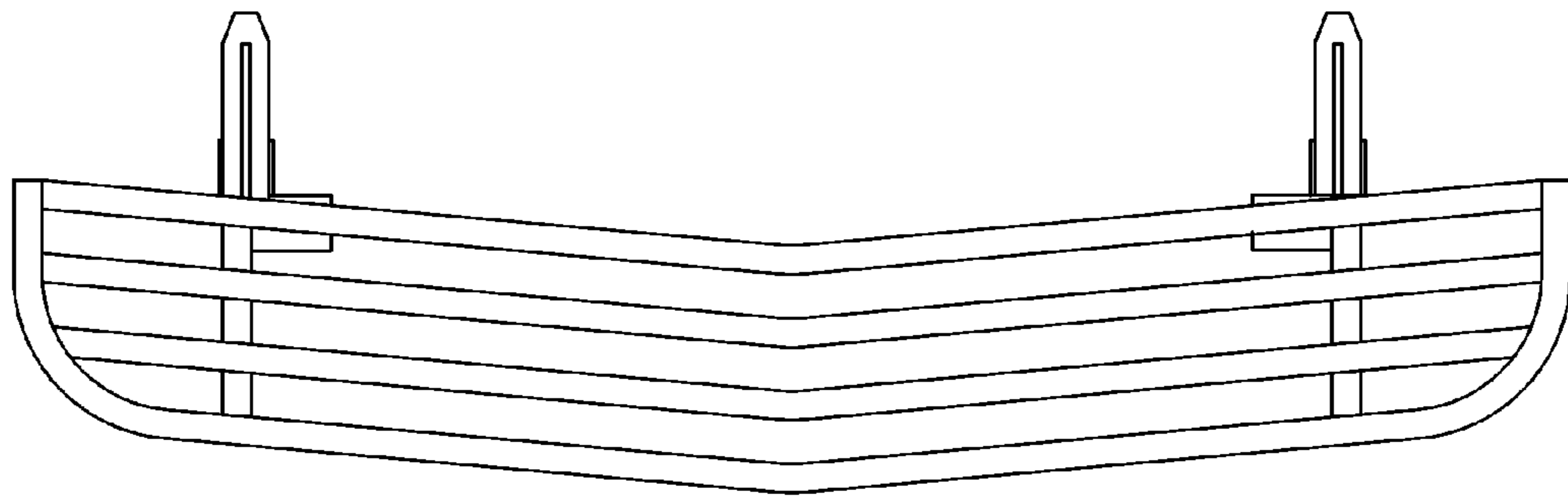


FIG. 4

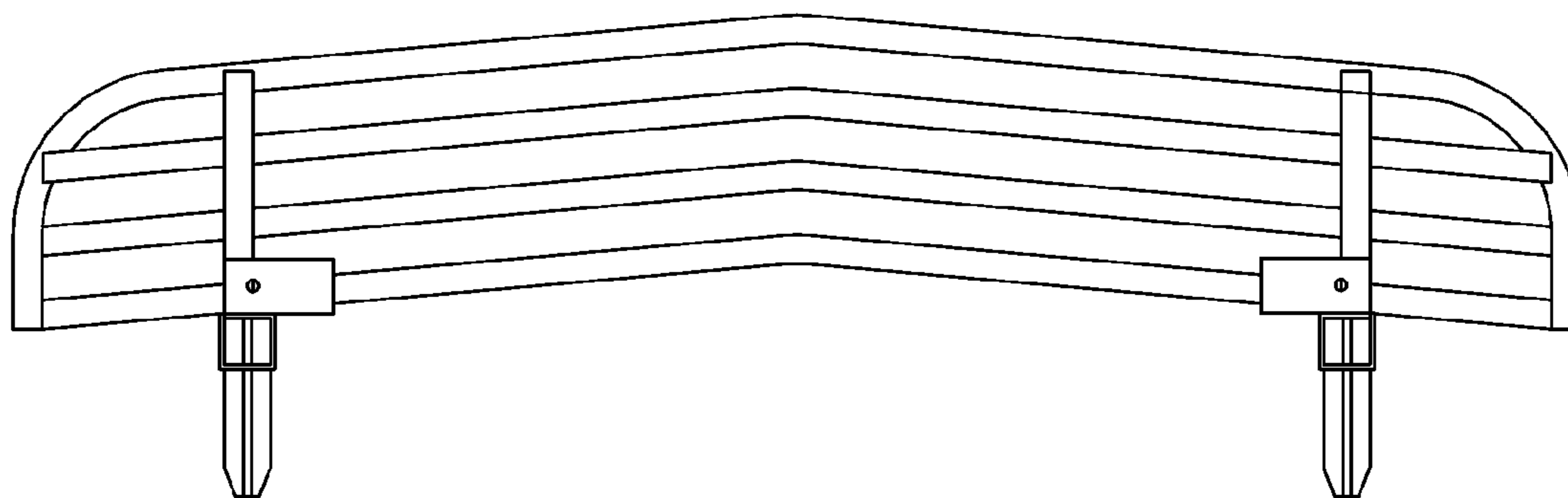


FIG. 5

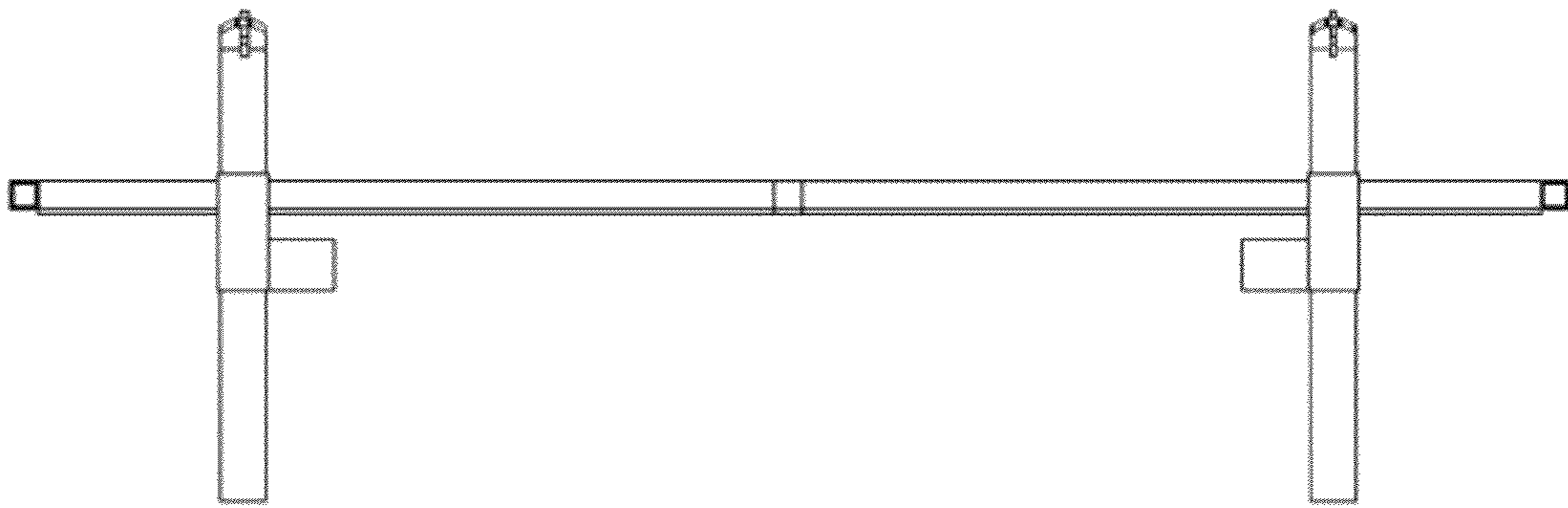


FIG. 6