

US00D662863S

(12) **United States Design Patent**
Scruggs et al.

(10) **Patent No.:** **US D662,863 S**

(45) **Date of Patent:** **** Jul. 3, 2012**

(54) **HITCH RECEIVER**

(75) Inventors: **Mark P. Scruggs**, Walled Lake, MI (US); **Jacob Belinky**, Carleton, MI (US)

(73) Assignee: **Cequent Performance Products, Inc.**, Plymouth, MI (US)

(**) Term: **14 Years**

(21) Appl. No.: **29/380,465**

(22) Filed: **Dec. 6, 2010**

(51) **LOC (9) Cl.** **12-16**

(52) **U.S. Cl.** **D12/162**

(58) **Field of Classification Search** D12/159,
D12/160, 161, 162; 56/DIG. 14; 37/399;
280/406.2, 407, 407.1, 408, 411.1, 416.1,
280/416.2, 416.3, 418, 418.1, 433, 434, 435,
280/441.1, 441.2, 455.1, 456.1, 480, 493,
280/504, 508; 224/42.11, 42.12, 42.14, 42.26,
224/400, 401, 412, 413, 488, 494, 500-501,
224/519, 537

See application file for complete search history.

(56) **References Cited**

U.S. PATENT DOCUMENTS

D334,163 S * 3/1993 McVey D12/162
D372,892 S * 8/1996 McCoy et al. D12/162
D384,924 S * 10/1997 Hanson et al. D12/162

D462,037 S * 8/2002 Pancheri et al. D12/162
6,494,478 B1 * 12/2002 MacKarvich 280/489
6,540,277 B2 * 4/2003 McCoy et al. 293/117
6,669,223 B2 * 12/2003 Sekaria et al. 280/495
6,846,001 B2 * 1/2005 Seksaria et al. 280/495
7,290,755 B1 * 11/2007 Thibodeaux 254/323

* cited by examiner

Primary Examiner — Michael Pratt

(74) *Attorney, Agent, or Firm* — McDonald Hopkins LLC

(57) **CLAIM**

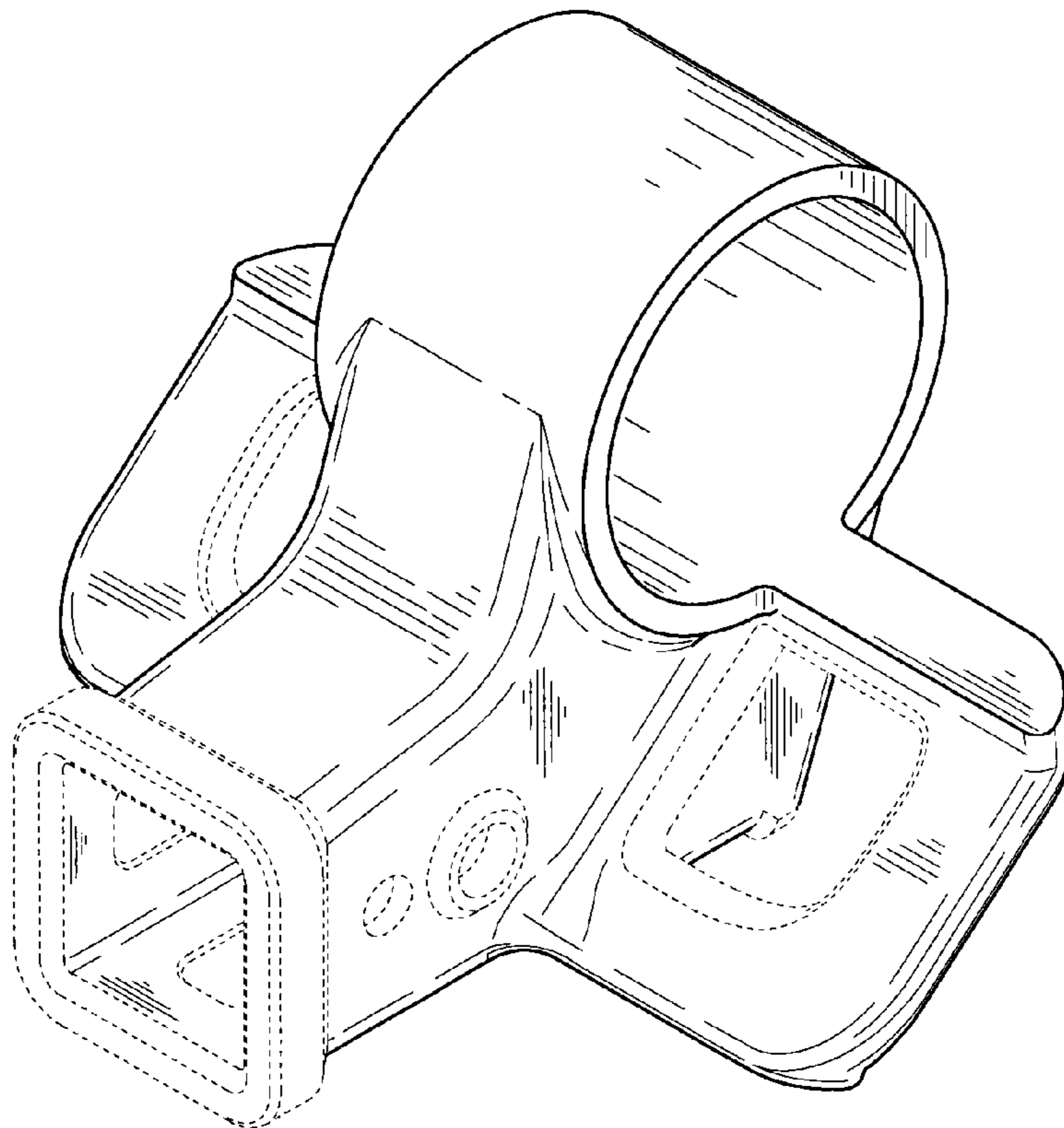
The ornamental design for a hitch receiver, as shown and described.

DESCRIPTION

FIG. 1 is a front, top, side perspective view of a hitch receiver showing our new design;
FIG. 2 is a back, bottom, side perspective view thereof;
FIG. 3 is a front view thereof;
FIG. 4 is a back view thereof;
FIG. 5 is a side view thereof;
FIG. 6 is a top view thereof; and,
FIG. 7 is a bottom view thereof.

The broken line showing of portions of the hitch receiver is included for the purpose of illustrating environment and forms no part of the claimed design.

1 Claim, 4 Drawing Sheets



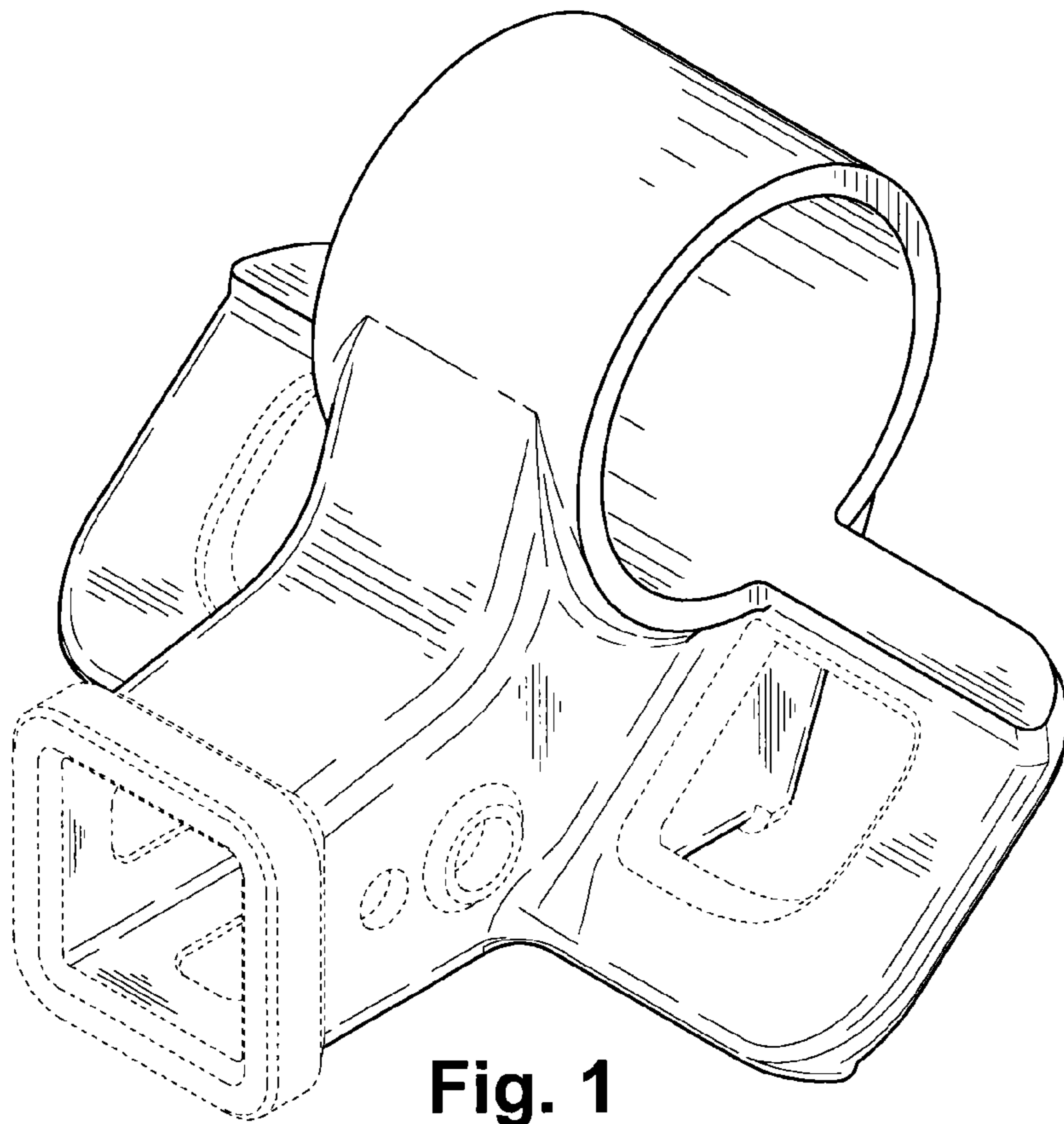


Fig. 1

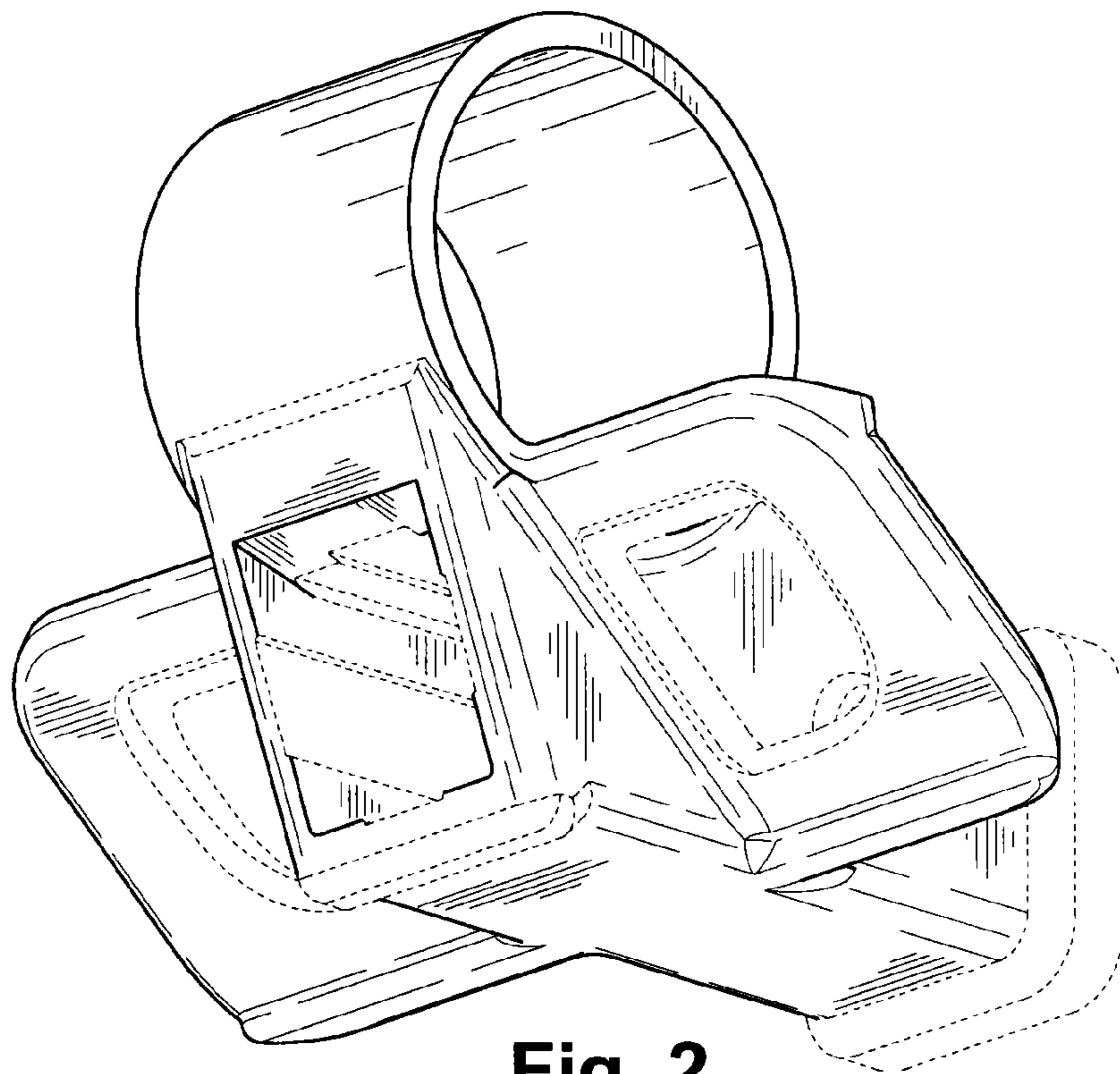


Fig. 2

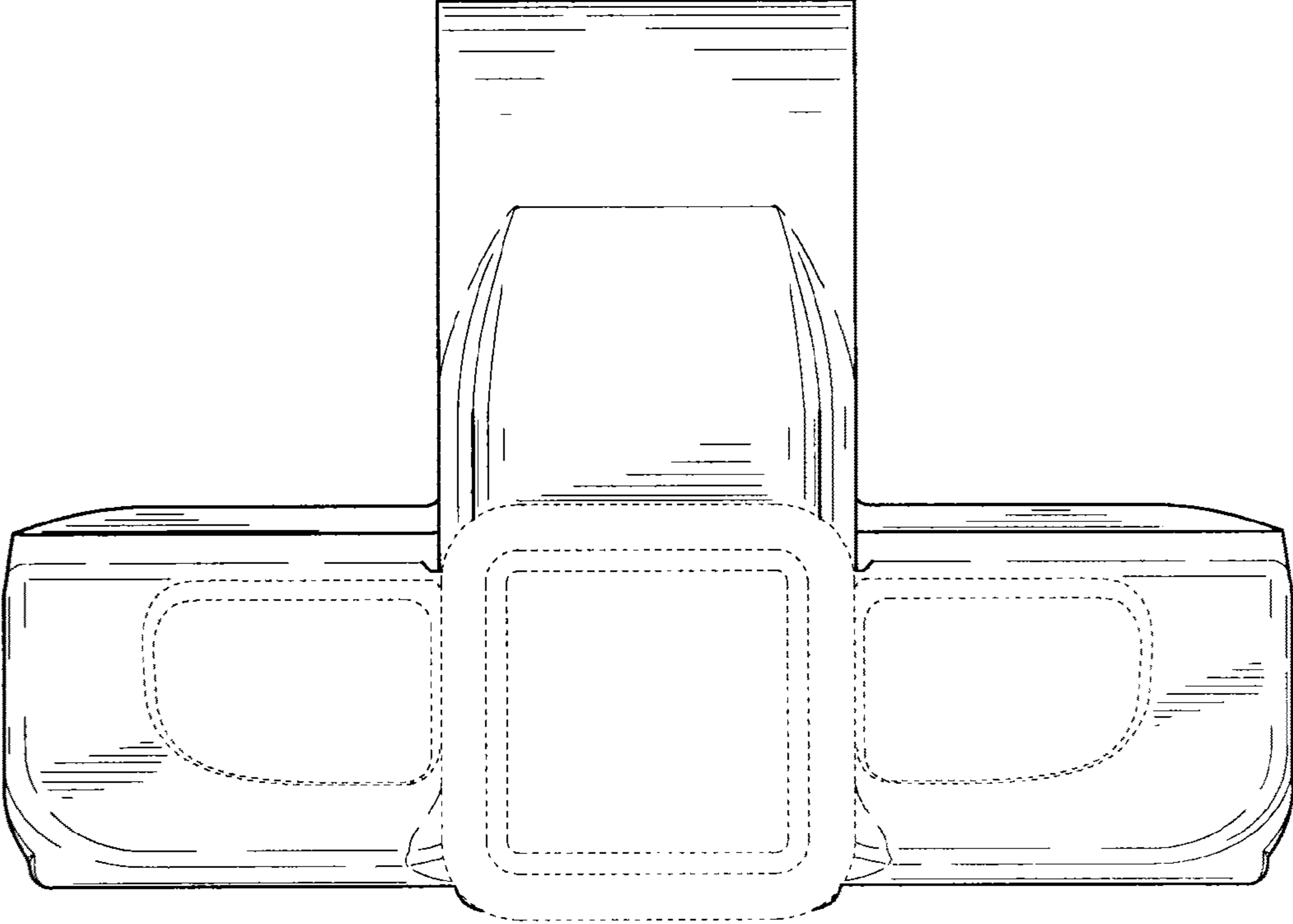


Fig. 3

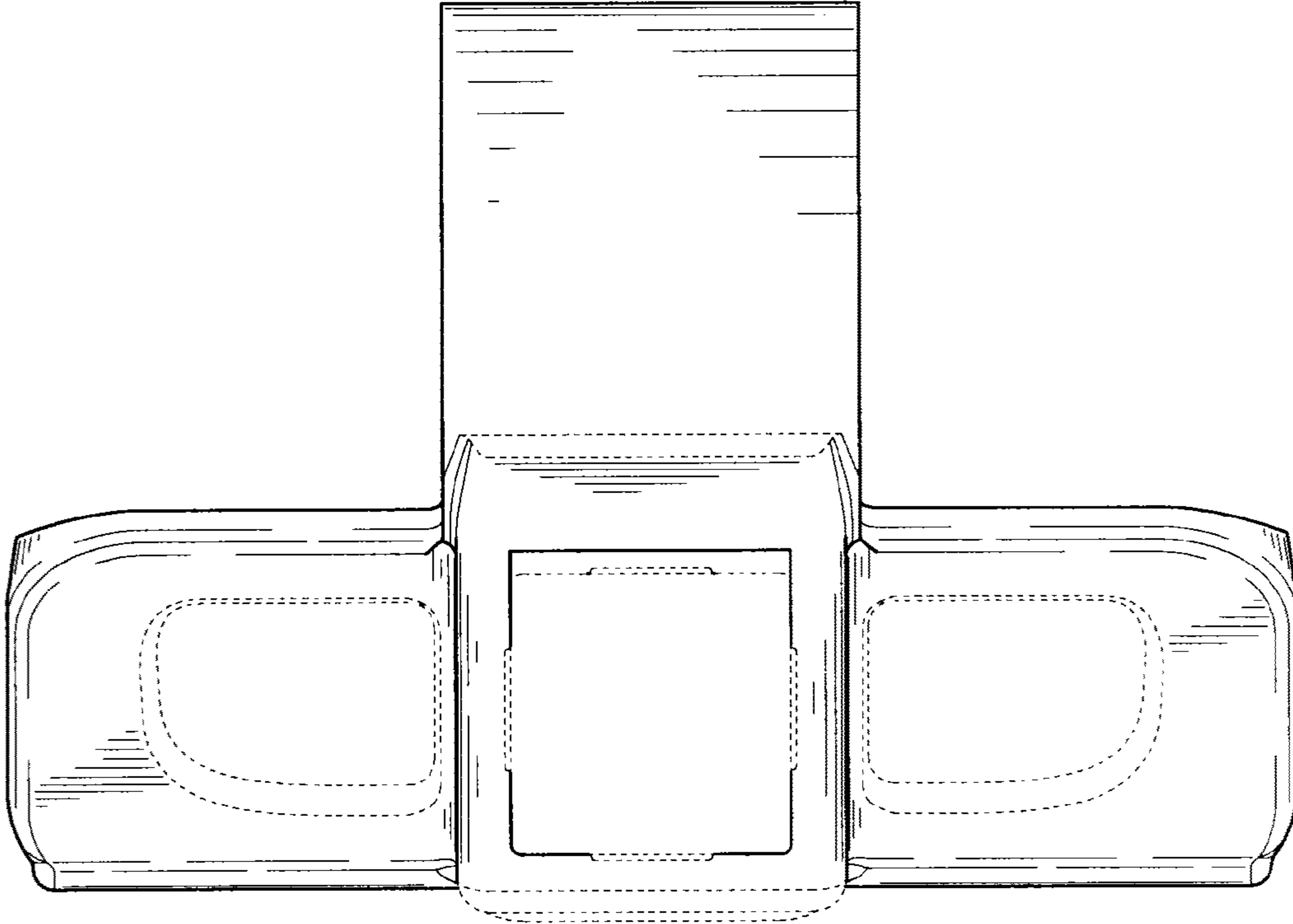


Fig. 4

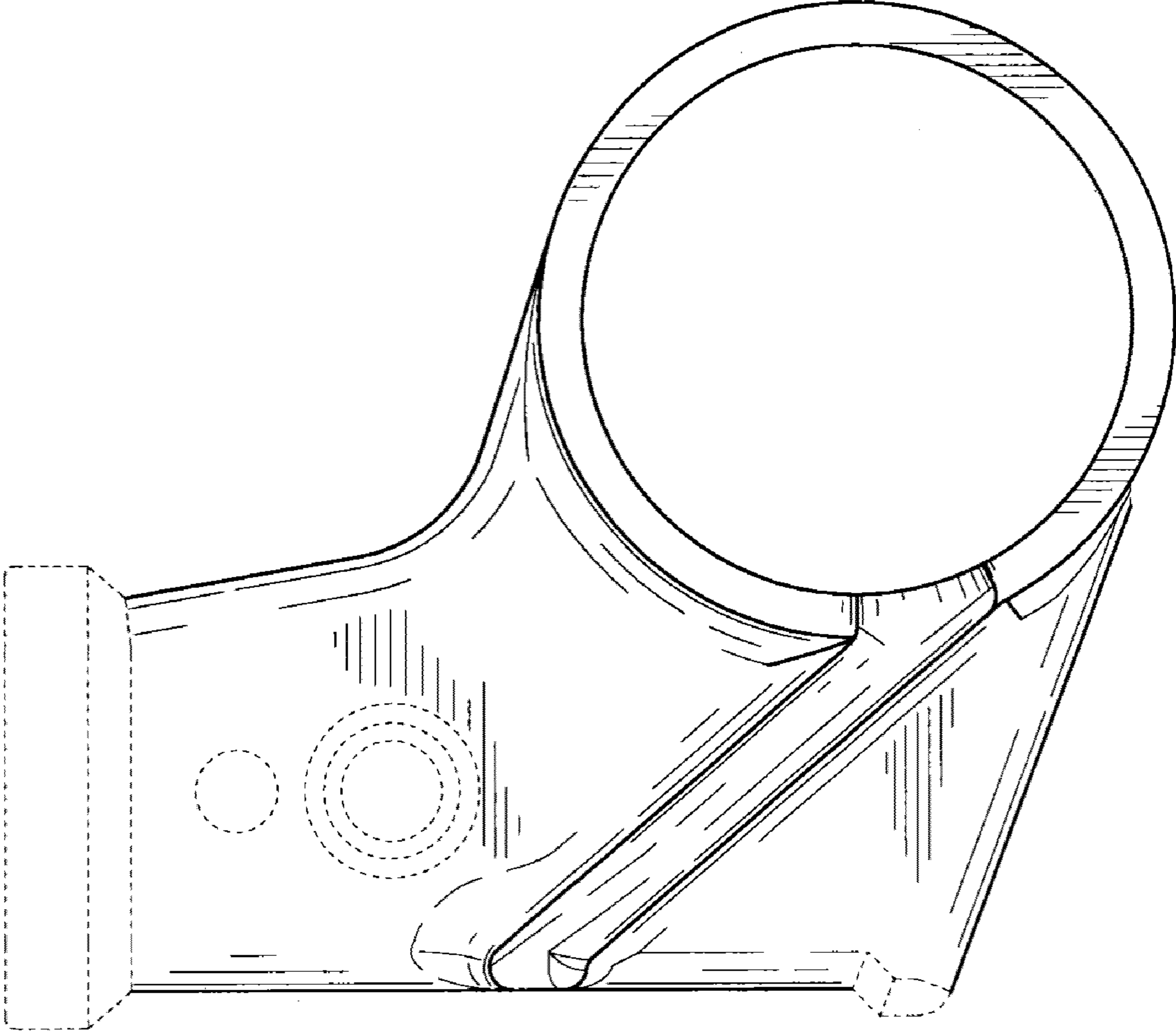


Fig. 5

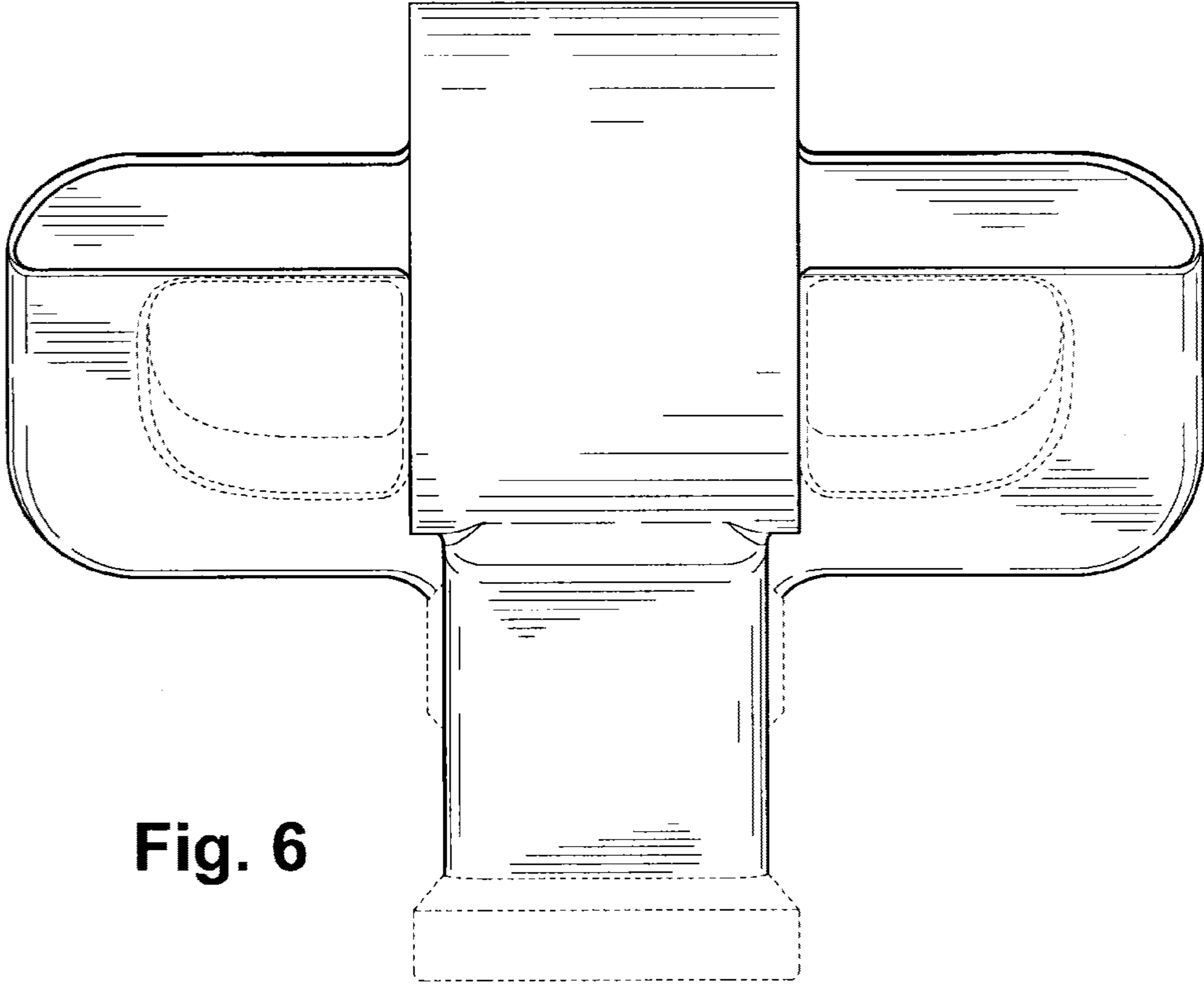


Fig. 6

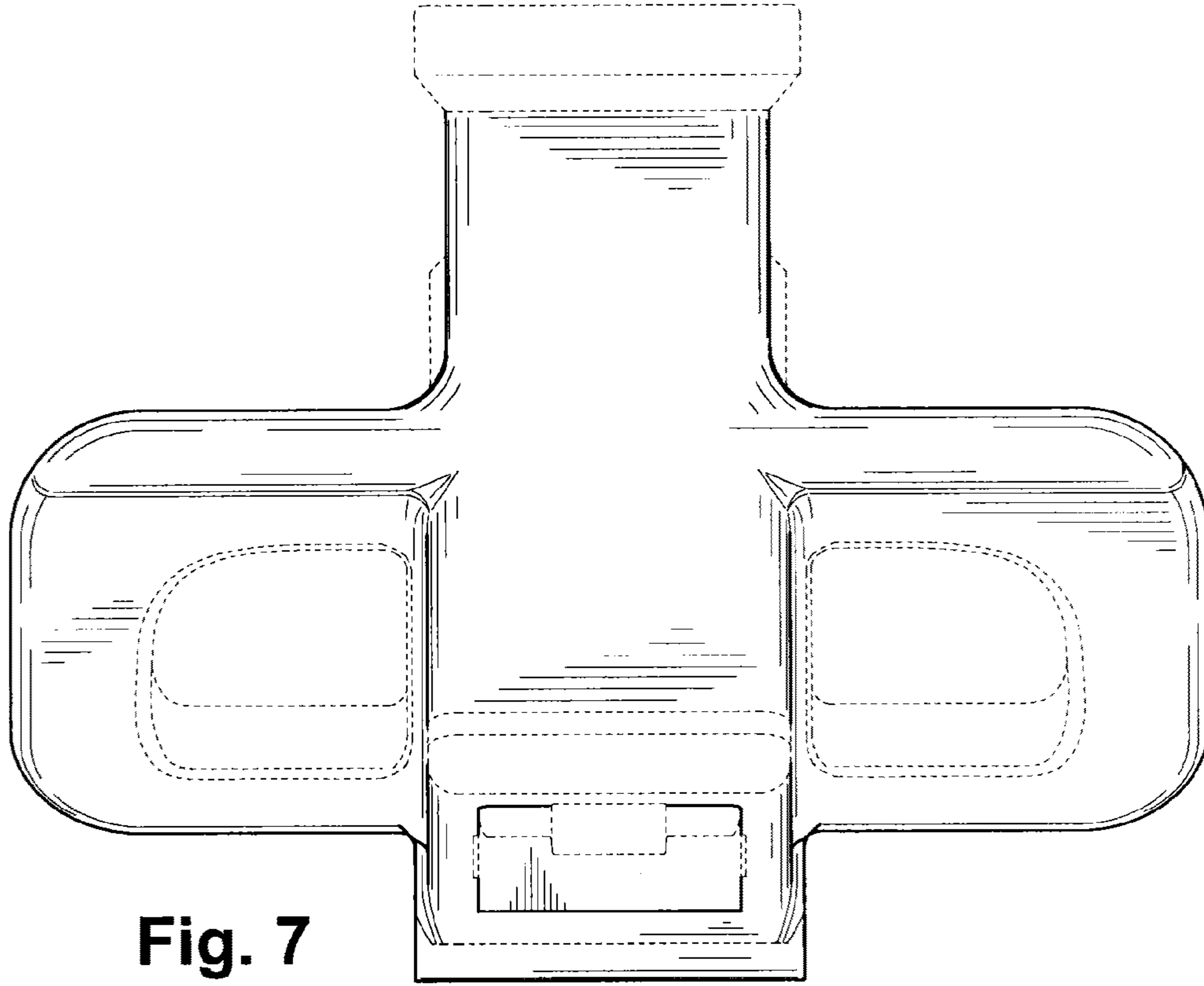


Fig. 7