



US00D662861S

(12) **United States Design Patent**
Foos

(10) **Patent No.:** **US D662,861 S**
(45) **Date of Patent:** **** Jul. 3, 2012**

(54) **FLOORBOARD RELOCATION KIT**

(76) Inventor: **Steve Foos**, Los Banos, CA (US)

(**) Term: **14 Years**

(21) Appl. No.: **29/392,736**

(22) Filed: **May 25, 2011**

(51) **LOC (9) Cl.** **12-11**

(52) **U.S. Cl.** **D12/114**

(58) **Field of Classification Search** D12/114,
D12/122, 203, 225, 110, 223; 180/230, 219,
180/220; 296/75; 280/288.4, 291, 163, 164.1;
74/143, 337.5, 473.16, 473.17, 478, 478.5,
74/560, 564, 594.4, 594.6, 594.7, 562.5,
74/562; D8/349, 354, 382; 248/200, 201,
248/274.1, 300; D15/5

See application file for complete search history.

(56) **References Cited**

U.S. PATENT DOCUMENTS

1,261,442 A 4/1918 Rigby
(Continued)

OTHER PUBLICATIONS

J & P Cycles® 2008 Parts and Accessories for your Harley-Davidson® Motorcycle catalog. Road Rod Floorboard Bracket Kits for 2002-2008 V-Rod®, p. 889, and Chrome Floorboard Brackets for 1983-2008 FL Models and Original-Style Bracket for 1936-1984 Big Twin Floorboards on p. 891.*

Primary Examiner — Susan M Lee

Assistant Examiner — Linda G. Brooks

(74) *Attorney, Agent, or Firm* — QuickPatents, Inc.; Kevin Prince

(57) **CLAIM**

What is claimed is the ornamental design for a floorboard relocation kit, as shown and described.

DESCRIPTION

FIG. 1 is a perspective view of my new design for a floorboard relocation kit, showing the right side bracket and the right side engine guard bracket;

FIG. 2 is a perspective view of the floorboard relocation kit, showing the left side bracket and the left side engine bracket;

FIG. 3 is a front elevational view of the left side bracket;

FIG. 4 is a rear elevational view of FIG. 3;

FIG. 5 is left side elevational view of FIG. 3;

FIG. 6 is a right side elevational view of FIG. 3;

FIG. 7 is a top plan view of FIG. 3;

FIG. 8 is a bottom plan view of FIG. 3;

FIG. 9 is a front elevational view of the ride side bracket;

FIG. 10 is a rear elevational view of FIG. 9;

FIG. 11 is a left side elevational view of FIG. 9;

FIG. 12 is a right side elevational view of FIG. 9;

FIG. 13 is a top plan view of FIG. 9;

FIG. 14 is a bottom plan view of FIG. 9;

FIG. 15 is a perspective view of the left side engine guard bracket of the floorboard relocation kit;

FIG. 16 is a left side elevational view of FIG. 15;

FIG. 17 is a right side elevational view of FIG. 15;

FIG. 18 is a top plan view of FIG. 15;

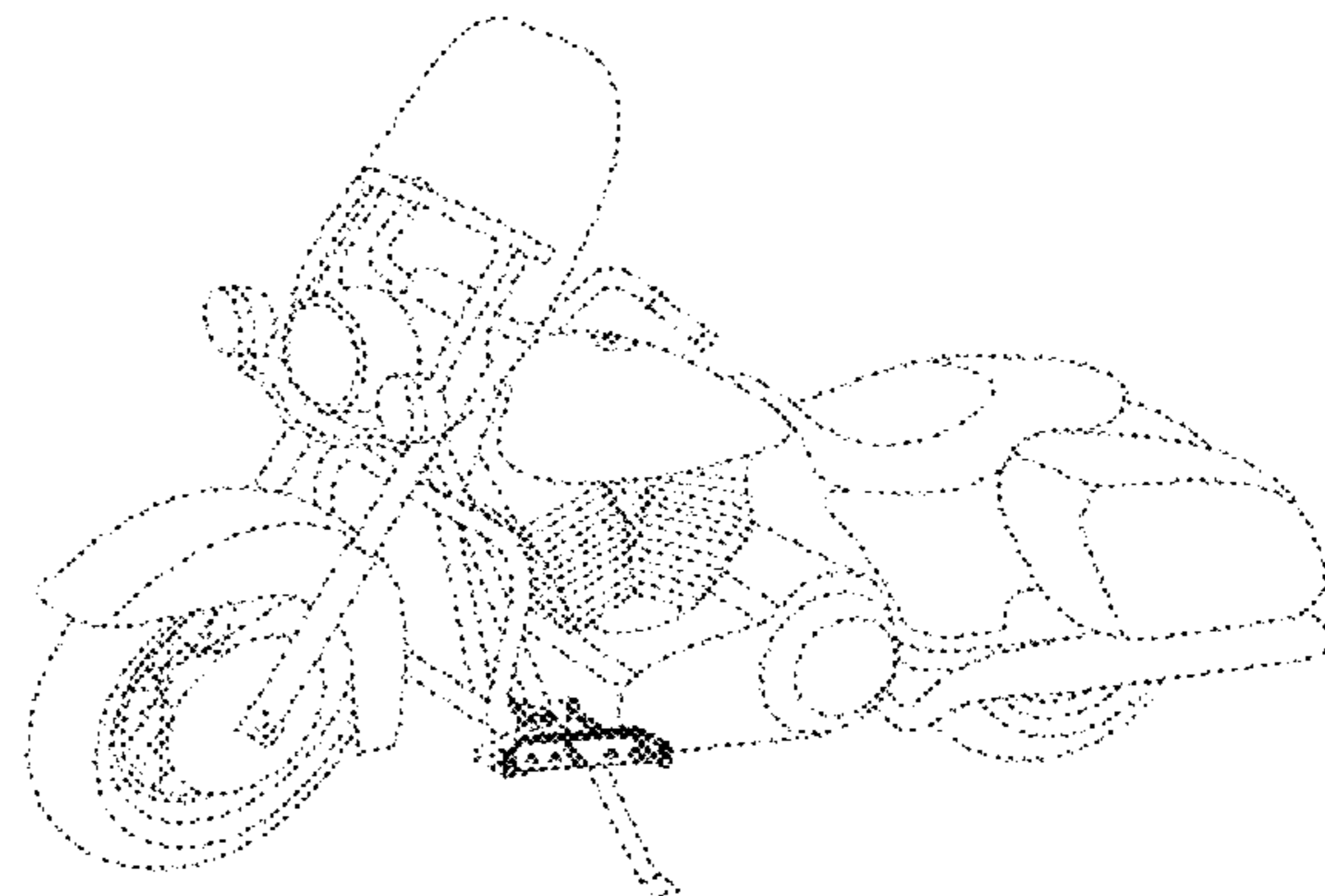
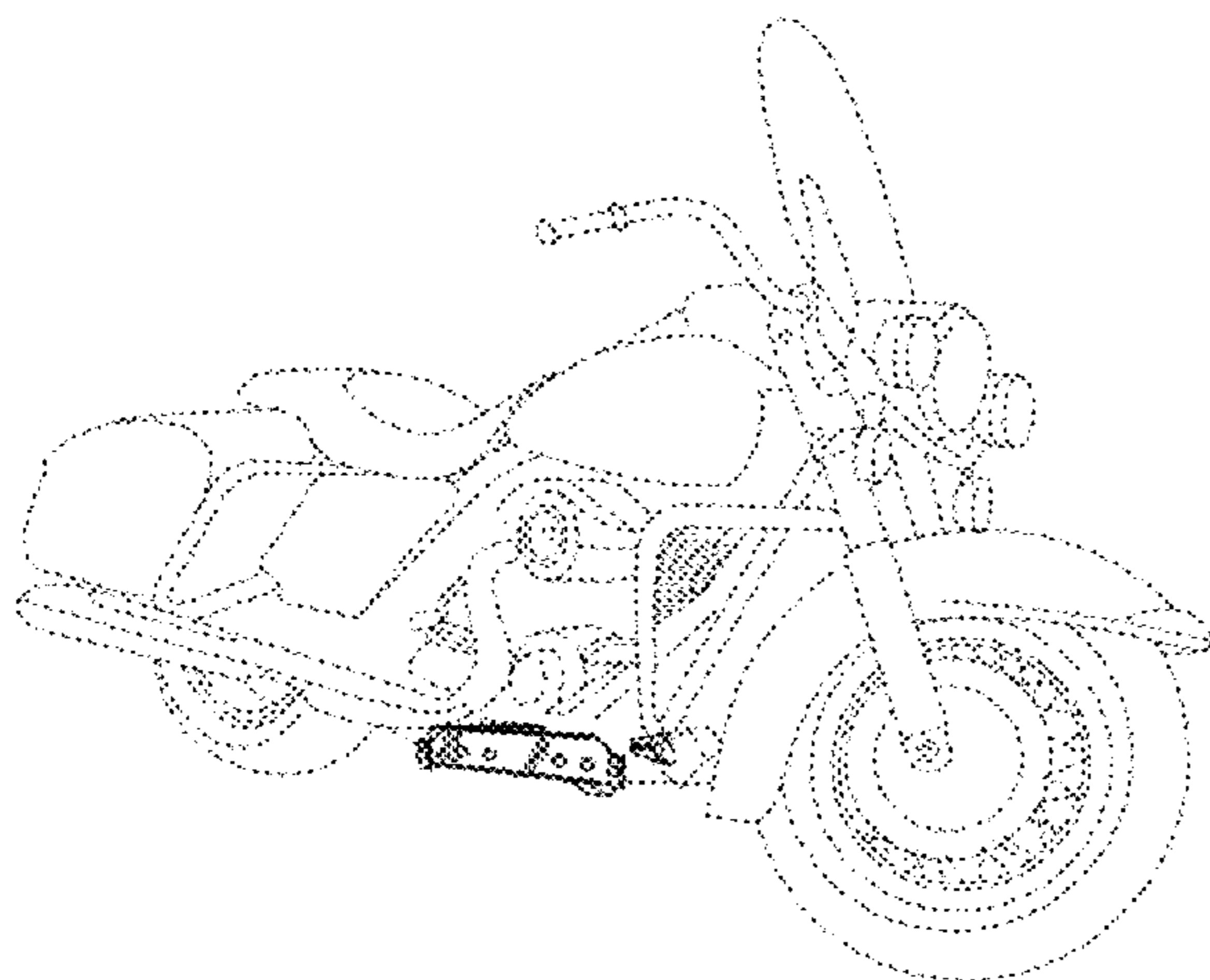
FIG. 19 is a bottom plan view of FIG. 15;

FIG. 20 is a front elevational view of FIG. 15; and,

FIG. 21 is a rear elevational view of FIG. 15.

The right side engine guard bracket of the floorboard relocation kit is a mirror image of the left side engine guard bracket. The broken lines showing a motorcycle in FIGS. 1 and 2 are included for the purpose of illustrating the components of the floorboard relocation kit in position of use, and form no part of the claimed design.

1 Claim, 10 Drawing Sheets



US D662,861 S

Page 2

U.S. PATENT DOCUMENTS

2,759,370	A	8/1956	Frates				
3,902,740	A	* 9/1975	Lucier et al.	280/304.3			
D242,852	S	* 12/1976	Henry	D12/114			
D267,471	S	* 1/1983	Mundorf	D8/354			
D270,823	S	10/1983	Mounts				
D283,413	S	4/1986	Preisler et al.				
4,754,946	A	7/1988	Constantin				
4,935,638	A	6/1990	Straka				
5,090,715	A	2/1992	Nakajima et al.				
D375,471	S	* 11/1996	Page et al.	D12/114			
5,720,359	A	2/1998	Attenello				
5,779,254	A	7/1998	James et al.				
6,688,628	B2	2/2004	Burkett				
7,114,739	B2	10/2006	Colano				
7,287,773	B1	10/2007	Stahel et al.				
D564,419	S	3/2008	Clontz				

* cited by examiner

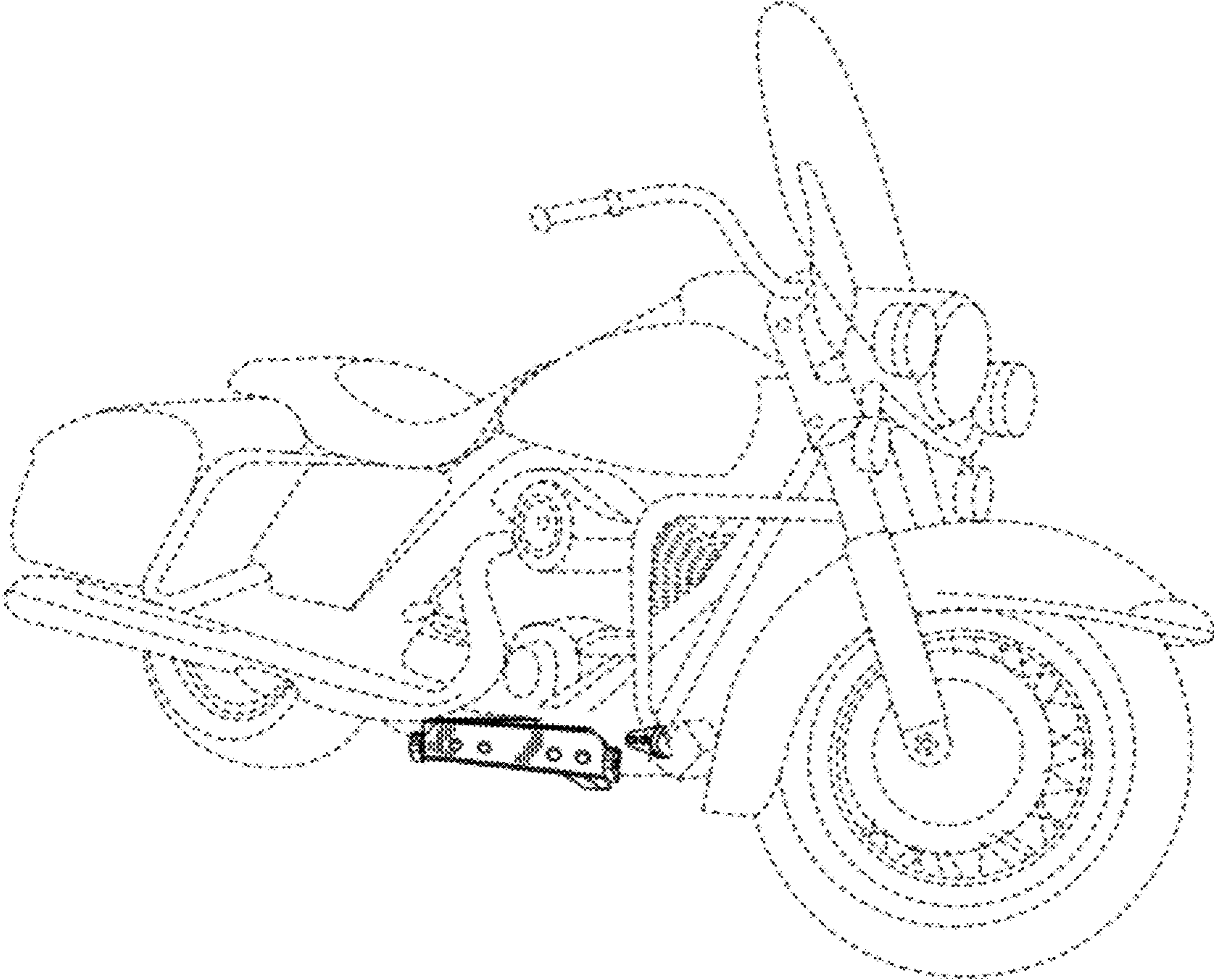


FIG. 1

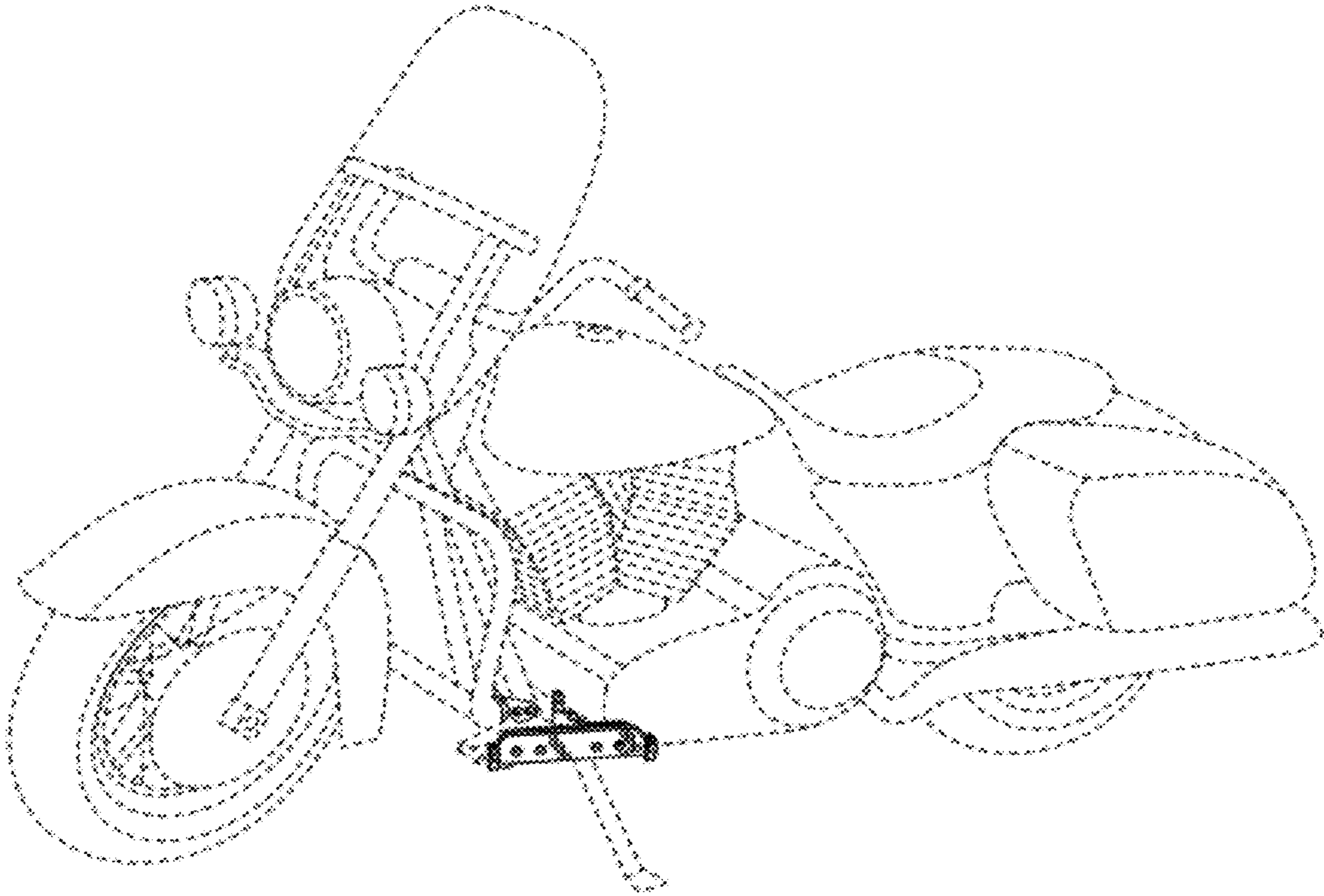


FIG. 2

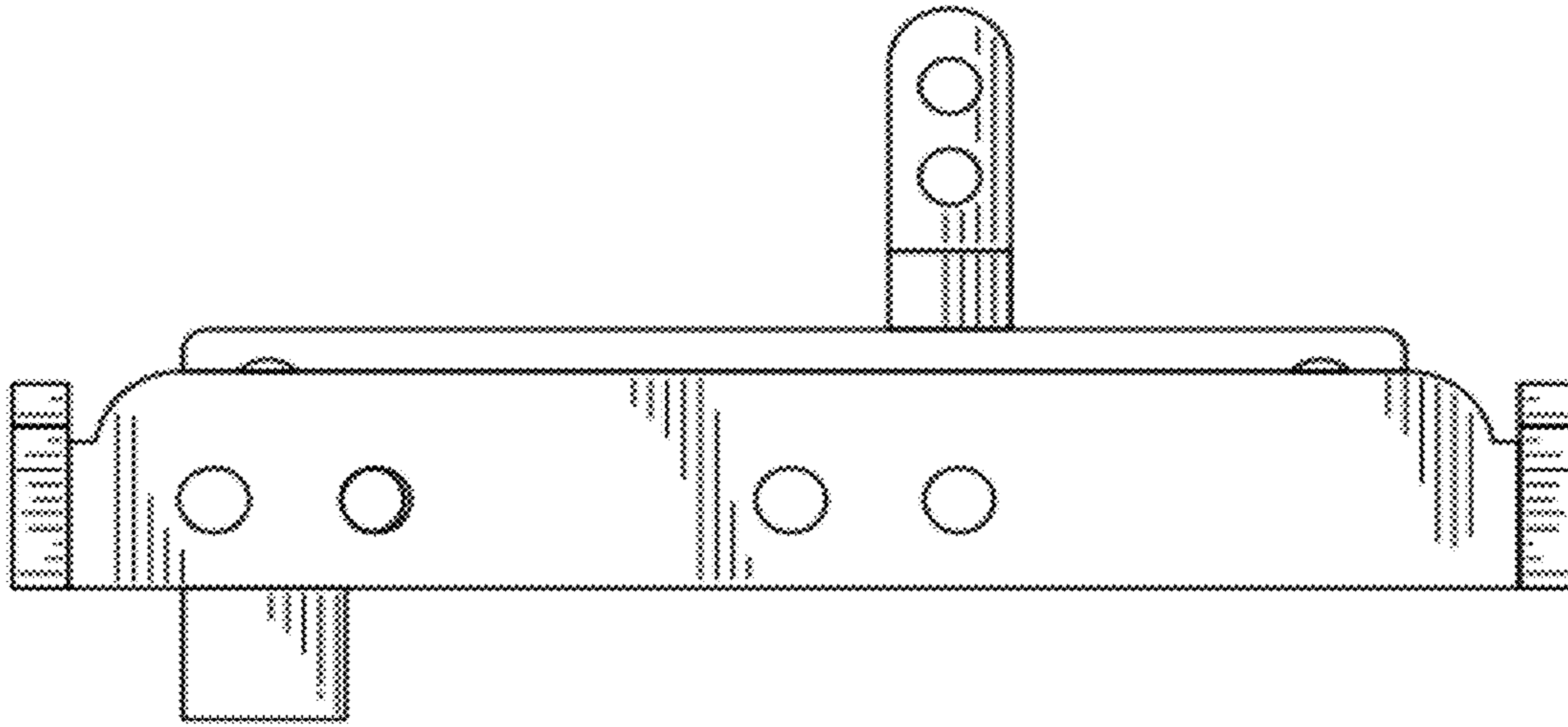


FIG. 3

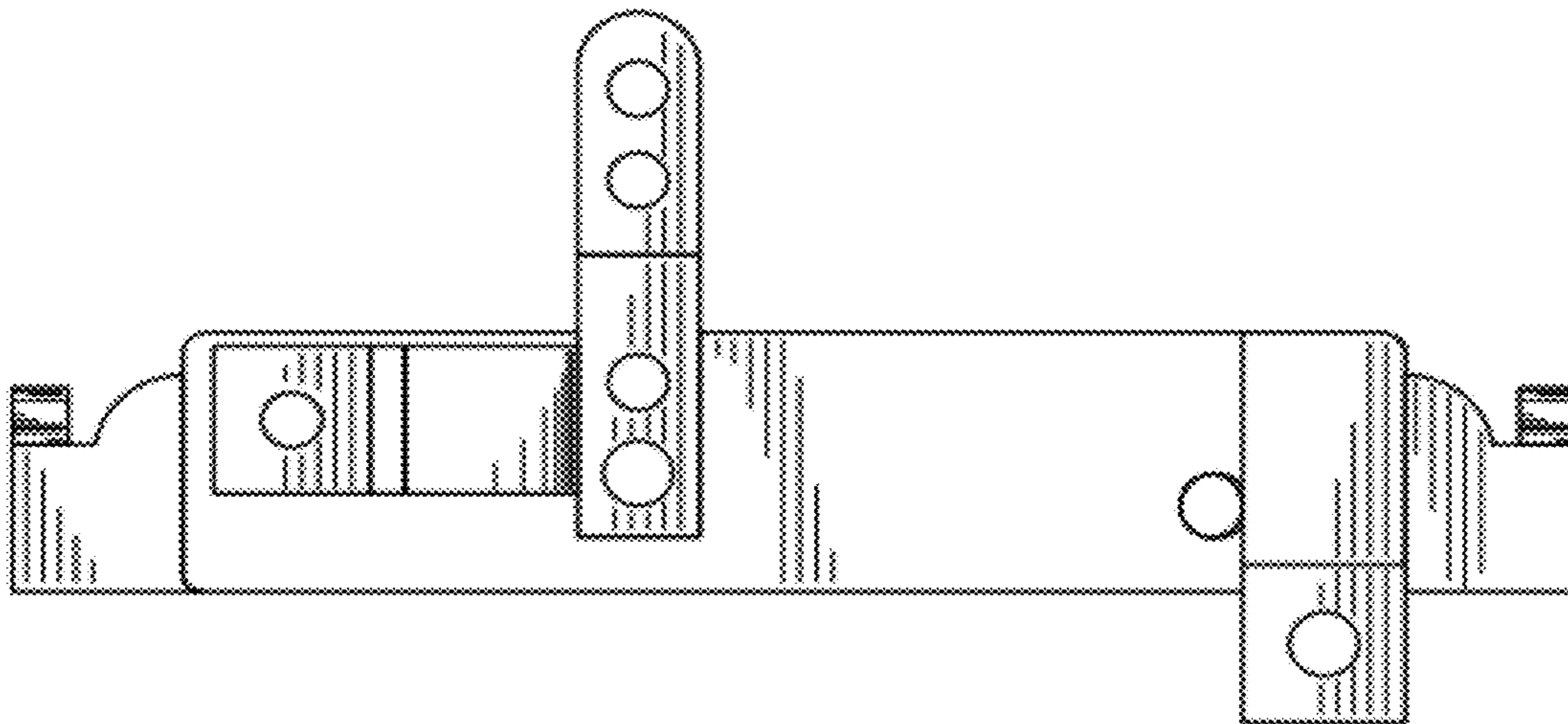


FIG. 4

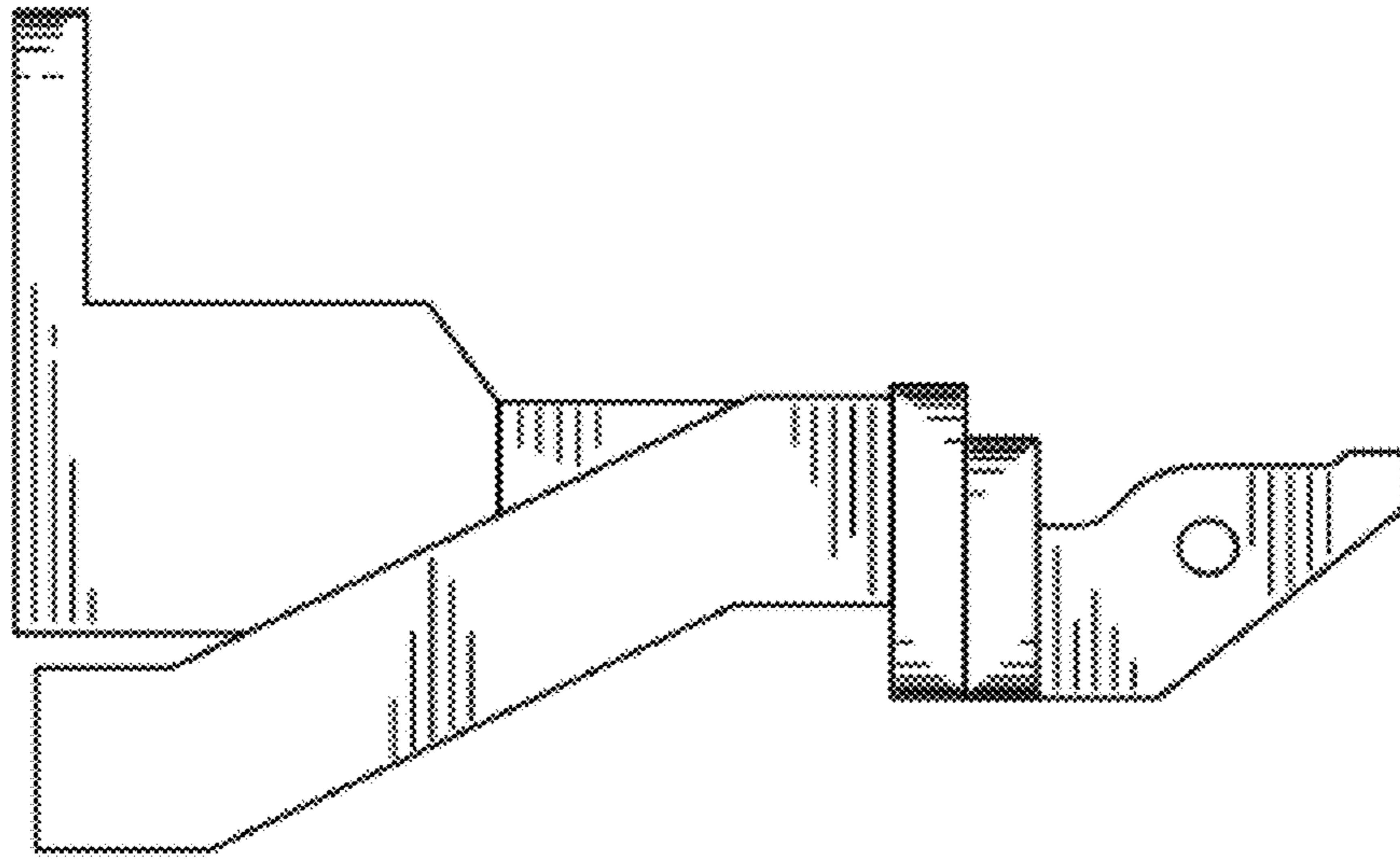


FIG. 5

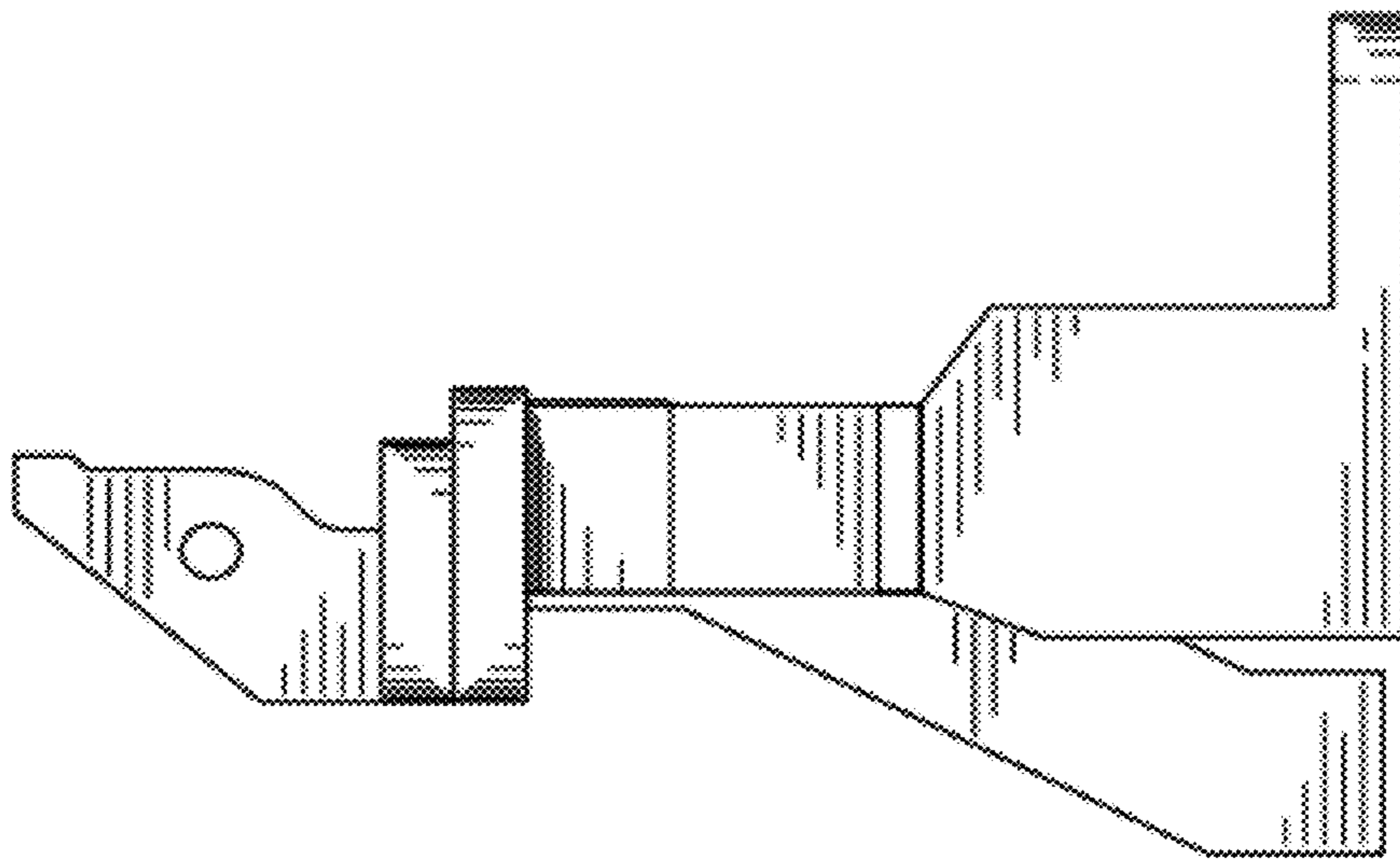


FIG. 6

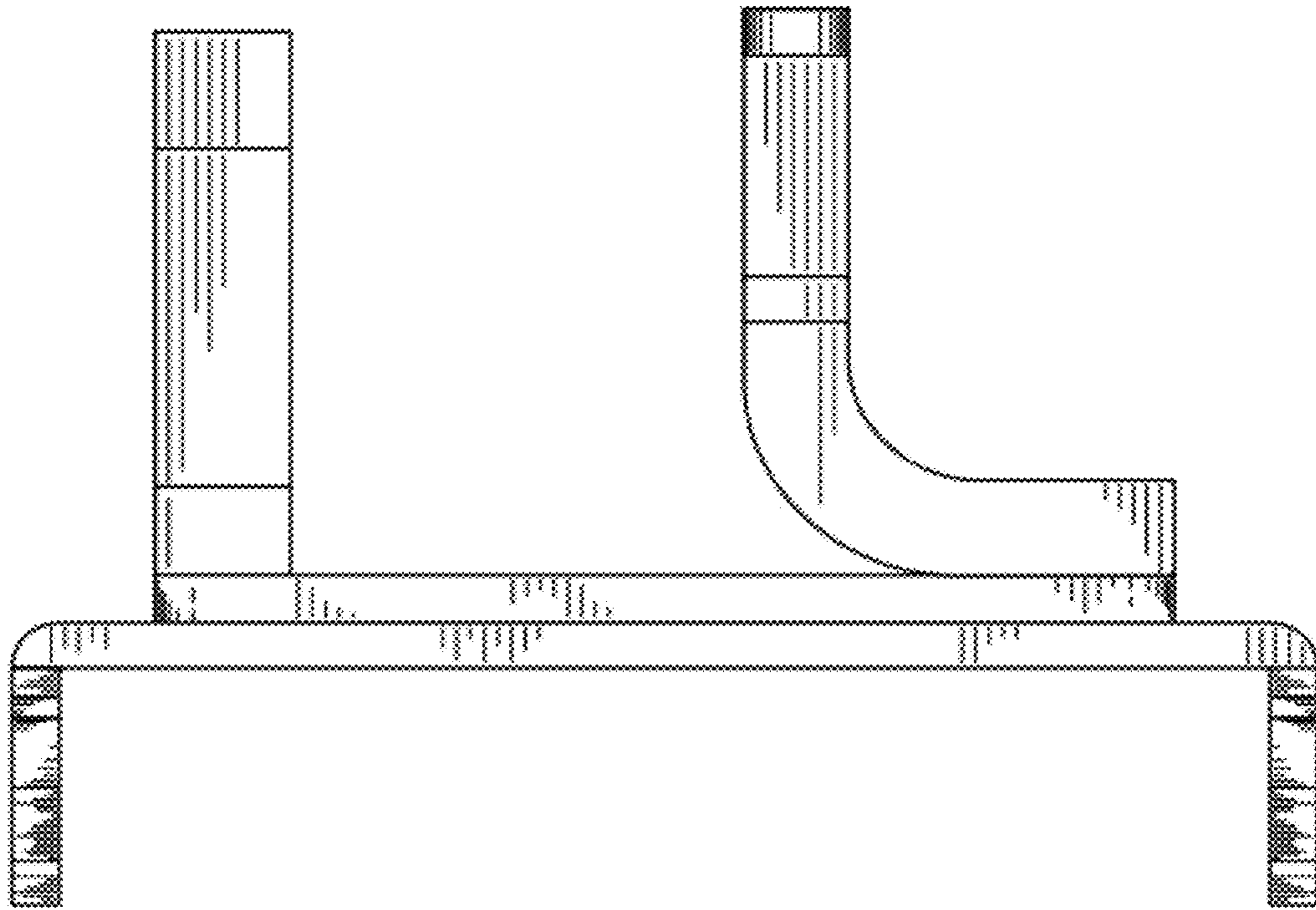


FIG. 7

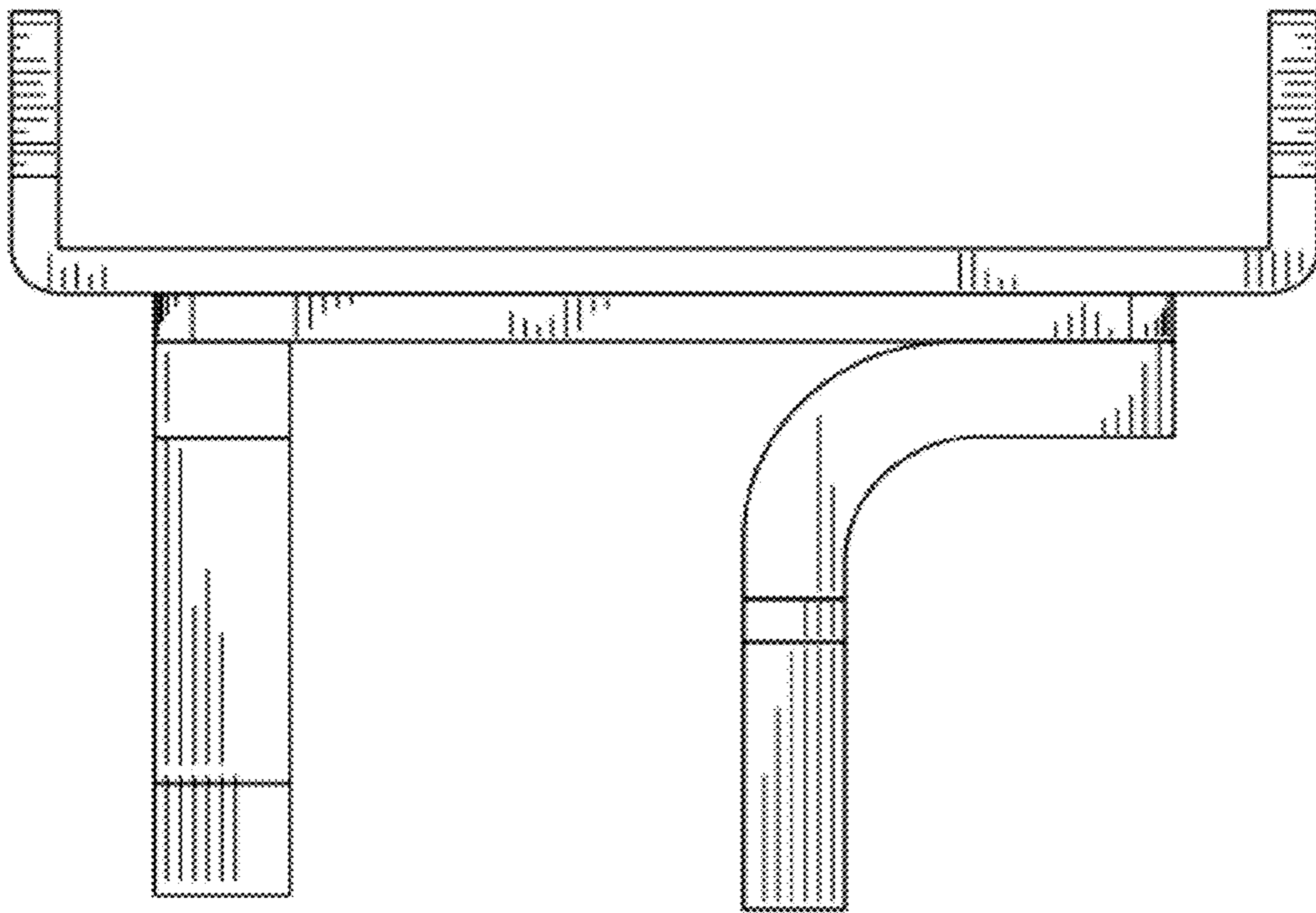


FIG. 8

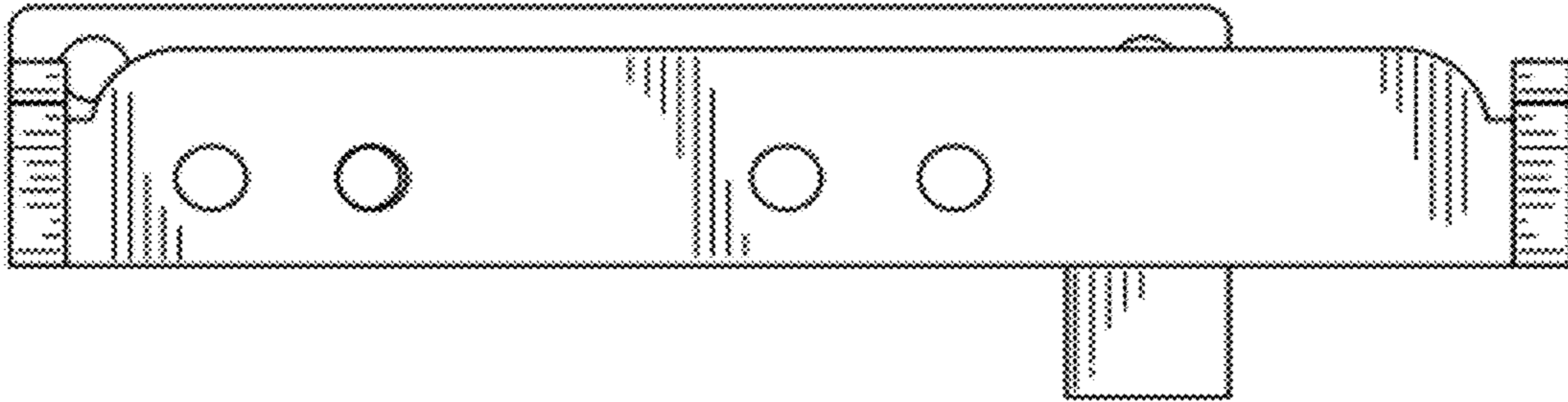


FIG. 9



FIG. 10

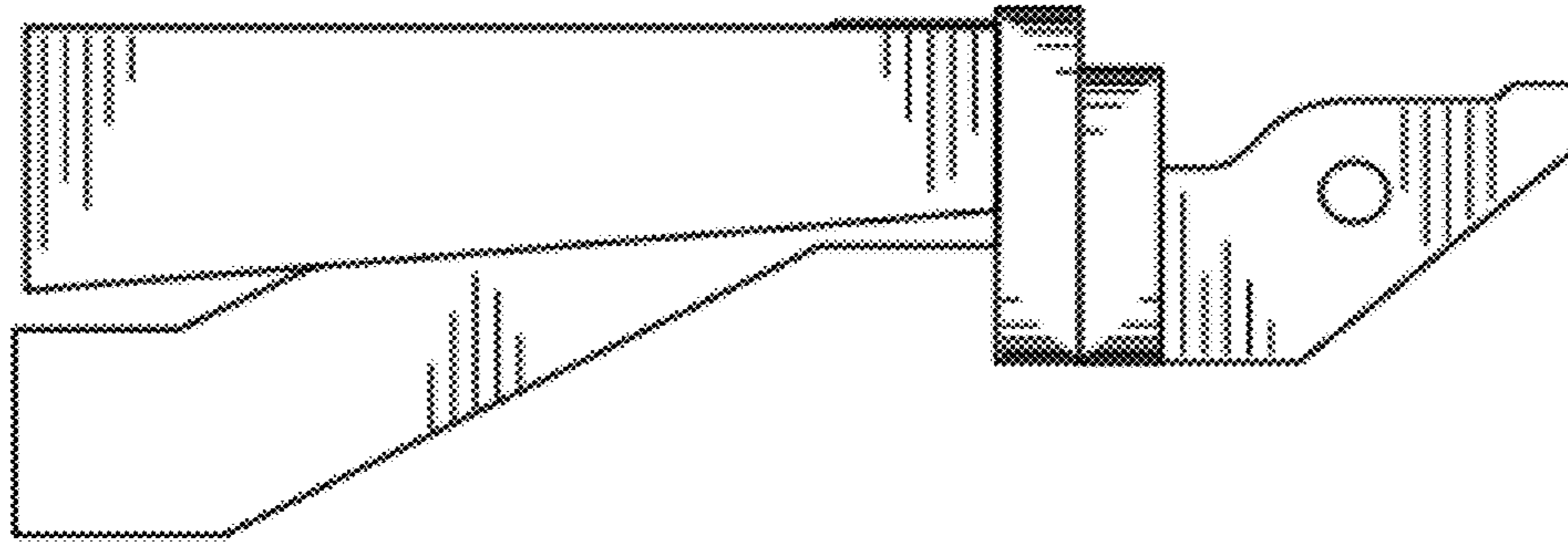


FIG. 11

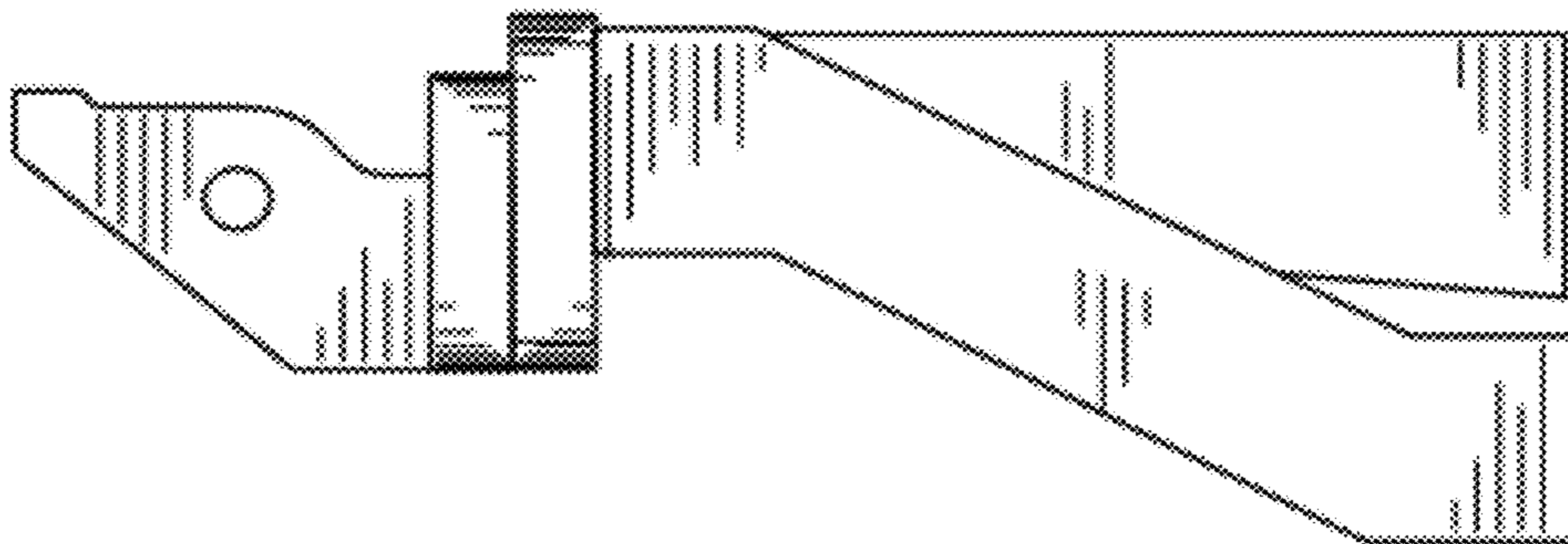


FIG. 12

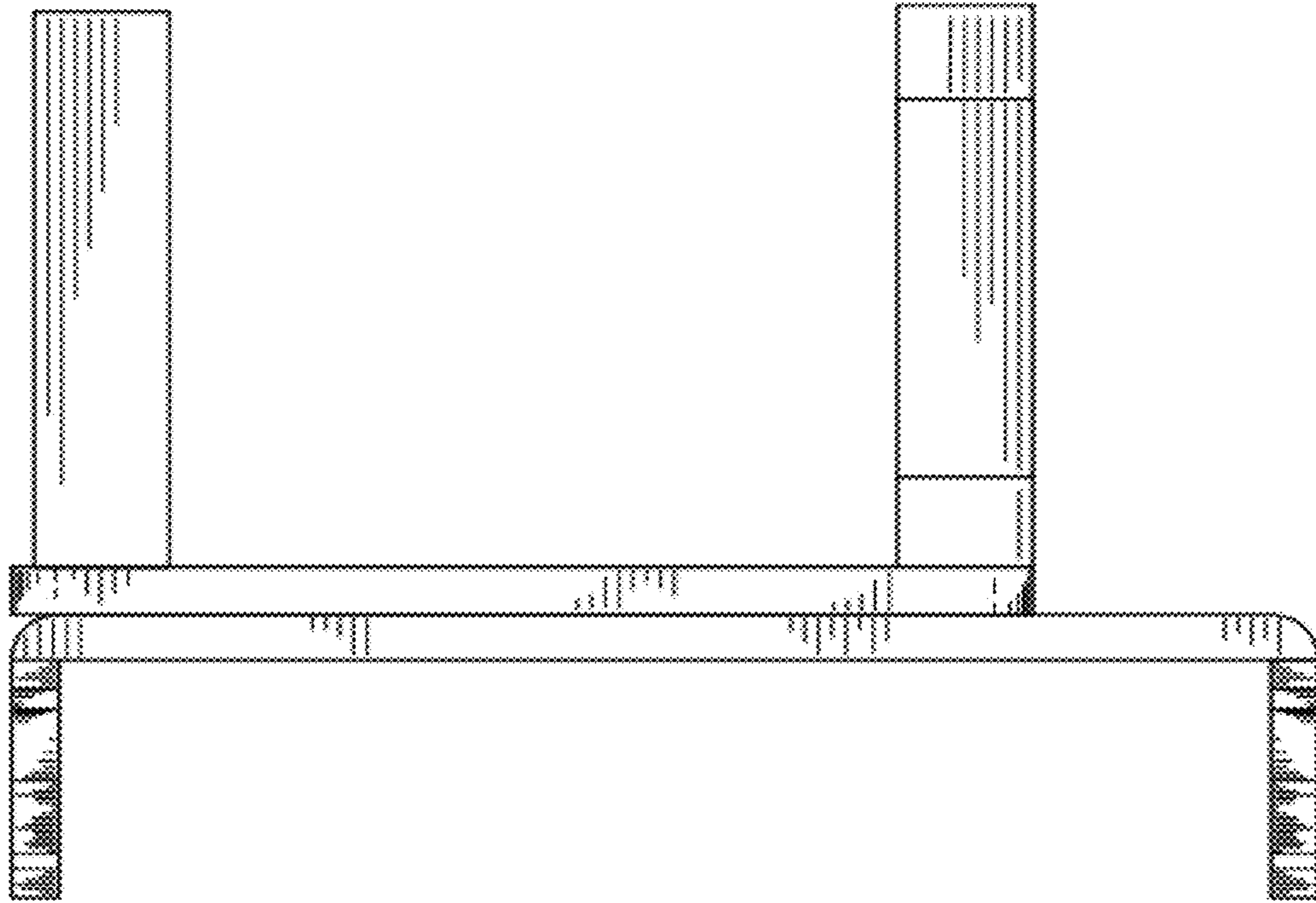


FIG. 13

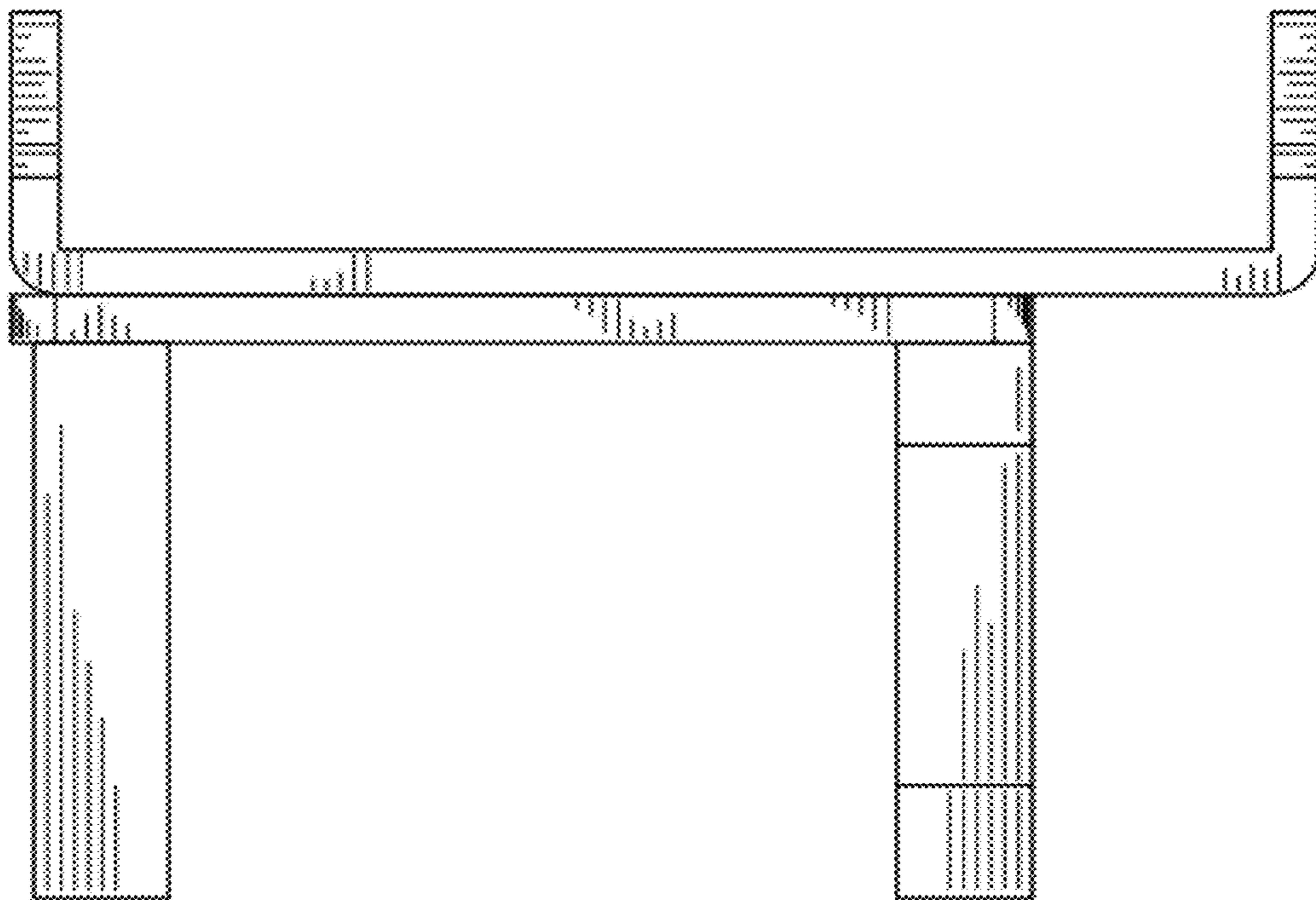


FIG. 14

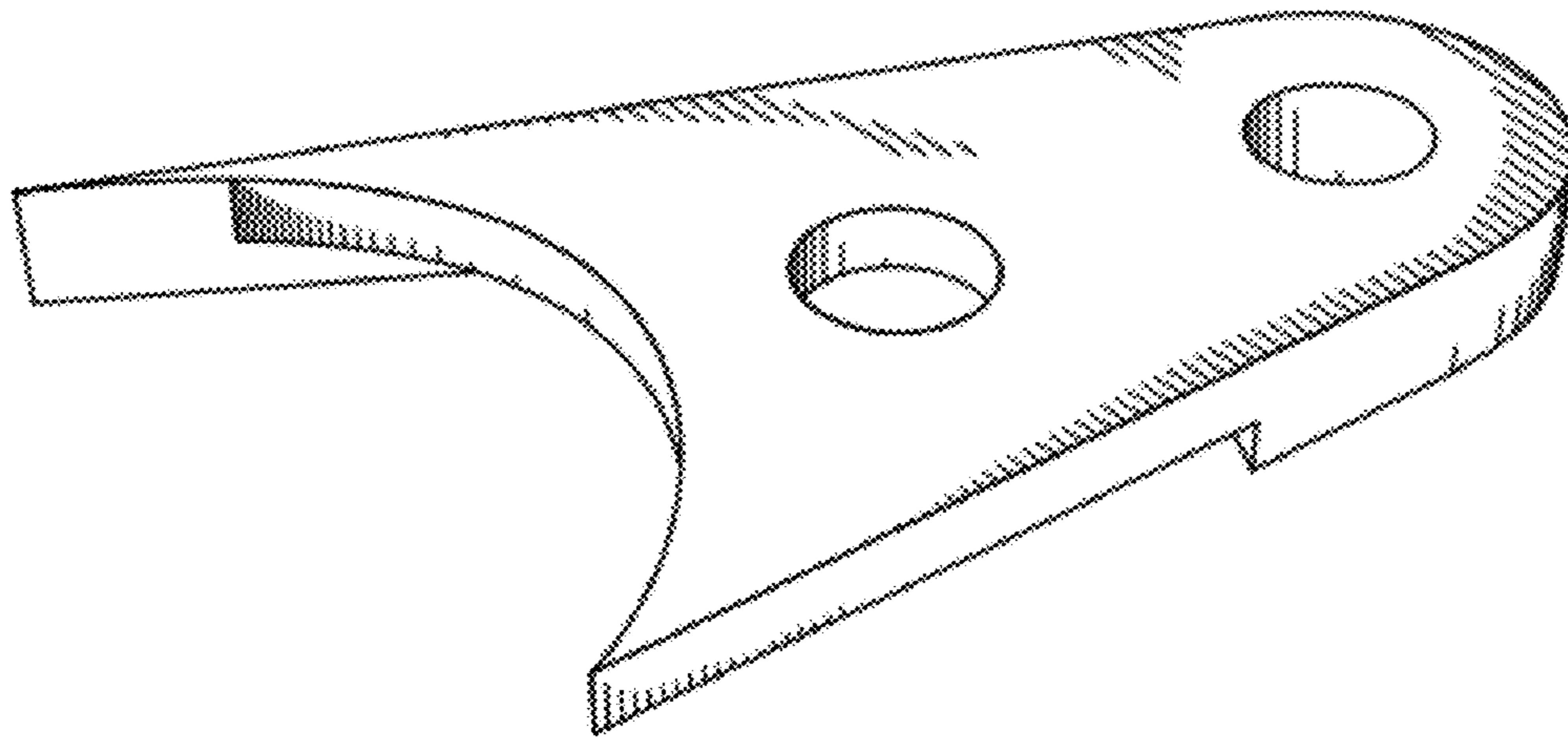


FIG. 15

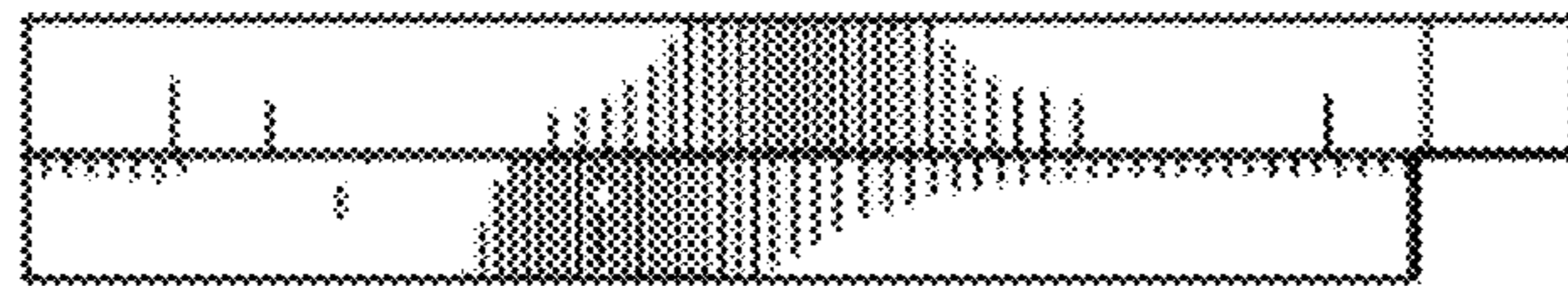


FIG. 16



FIG. 17



FIG. 18

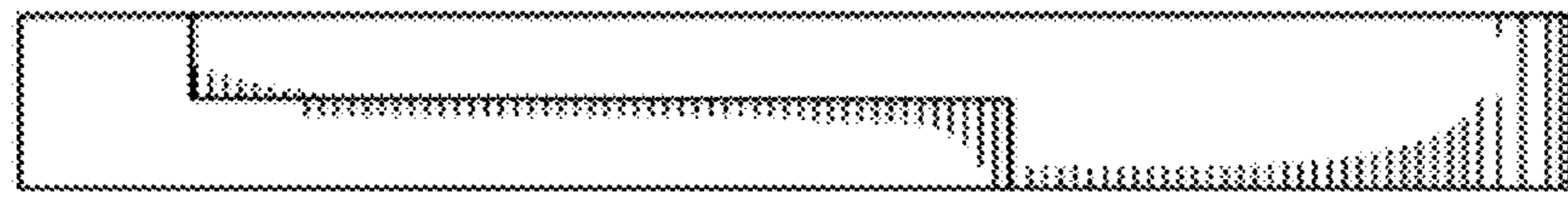


FIG. 19

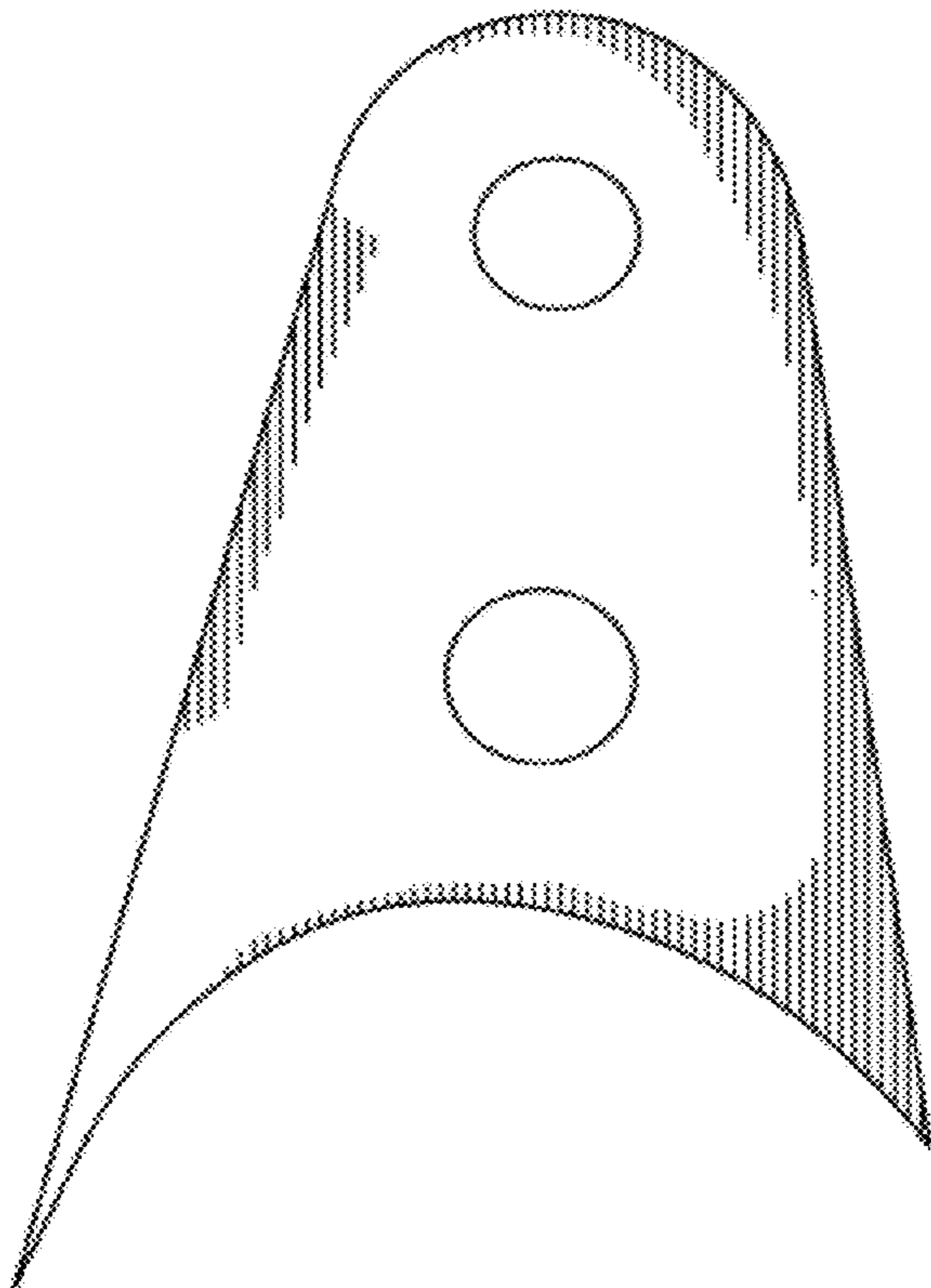


FIG. 20

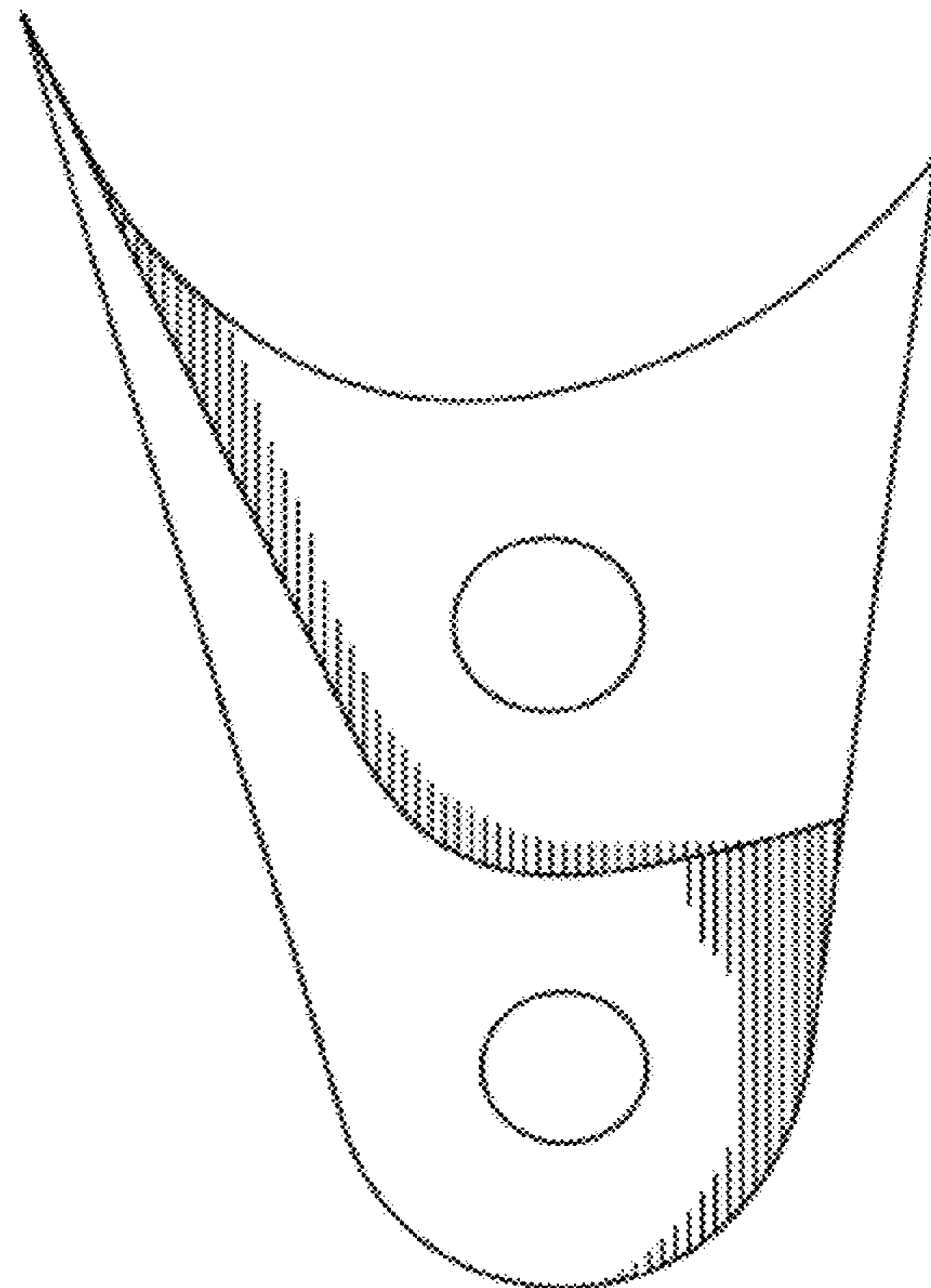


FIG. 21