



US00D662856S

(12) **United States Design Patent**
Burchland

(10) **Patent No.:** **US D662,856 S**

(45) **Date of Patent:** **** Jul. 3, 2012**

(54) **DRIVE OVER HOPPER**

(76) Inventor: **Aaron Burchland**, Gilman, IA (US)

(**) Term: **14 Years**

(21) Appl. No.: **29/407,526**

(22) Filed: **Nov. 30, 2011**

(51) **LOC (9) Cl.** **12-10**

(52) **U.S. Cl.** **D12/101**

(58) **Field of Classification Search** D12/19,
D12/129, 100-106, 111-112; D21/425,
D21/435; D34/21-26, 12, 16-19; 280/204,
280/205, 63, 475, 482, 647; 296/168, 180,
296/180.2, 61, 10, 100.01-100.08

See application file for complete search history.

(56) **References Cited**

U.S. PATENT DOCUMENTS

| | | | | |
|--------------|------|---------|------------------|-----------|
| 4,647,270 | A * | 3/1987 | Maloney | 414/470 |
| 5,342,162 | A * | 8/1994 | Robinette et al. | 414/483 |
| 6,250,874 | B1 * | 6/2001 | Cross | 414/537 |
| 6,722,726 | B1 * | 4/2004 | Parmer | 296/157 |
| 7,976,053 | B2 * | 7/2011 | Stettler | 280/491.3 |
| 7,980,582 | B2 * | 7/2011 | Schuettenberg | 280/476.1 |
| 8,061,754 | B1 * | 11/2011 | Webb | 296/61 |
| 2006/0133915 | A1 * | 6/2006 | Day | 414/537 |
| 2008/0292438 | A1 * | 11/2008 | Patterson | 414/537 |

OTHER PUBLICATIONS

Driver Over Hopper—Product Informaton, Burchland Manufacturing, Inc., 2008.

* cited by examiner

Primary Examiner — Caron D Veynar

Assistant Examiner — Katrina A Betton

(74) *Attorney, Agent, or Firm* — BrownWinick Law Firm; Camille L. Urban

(57) **CLAIM**

The ornamental design for a drive over hopper, as shown and described.

DESCRIPTION

FIG. 1 is a top side perspective view of a drive over hopper showing my new design;

FIG. 2 is an elevational view of a right side of the drive over hopper shown in FIG. 1;

FIG. 3 is an elevational view of a left side of the drive over hopper shown in FIG. 1;

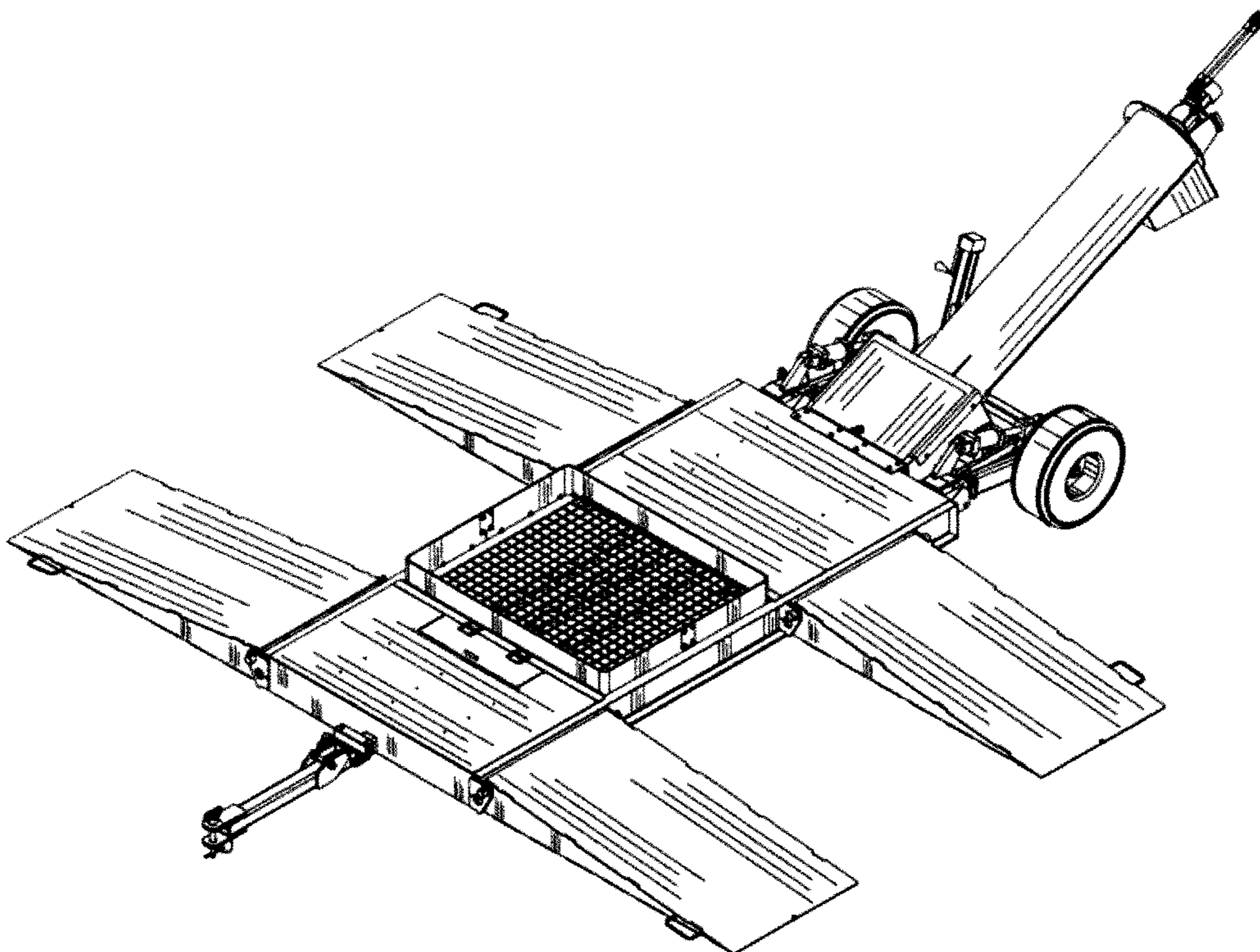
FIG. 4 is a top plan view thereof;

FIG. 5 is a bottom plan view thereof;

FIG. 6 is a rear elevational view thereof; and,

FIG. 7 is a front elevational view thereof.

1 Claim, 5 Drawing Sheets



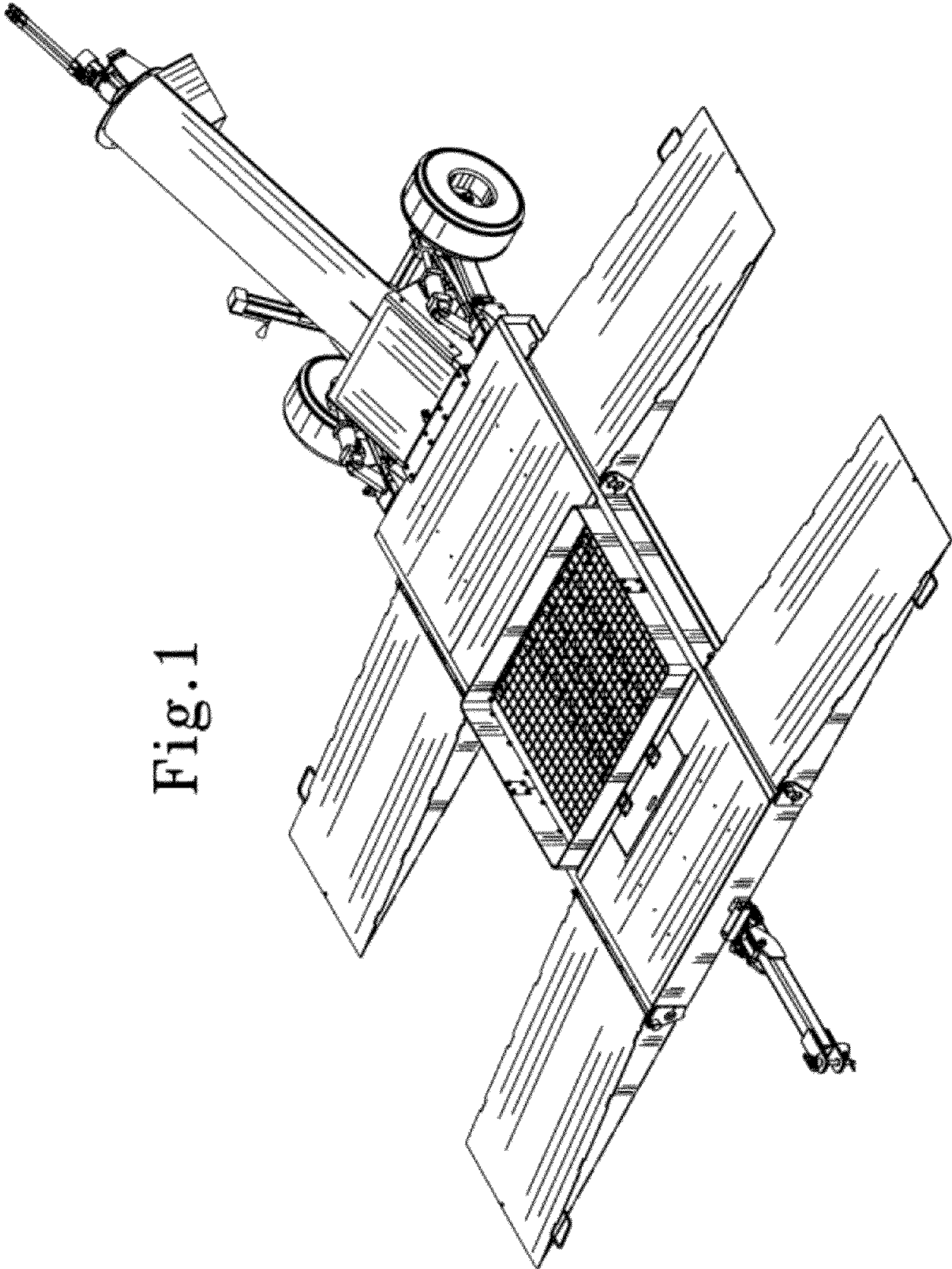


Fig.1

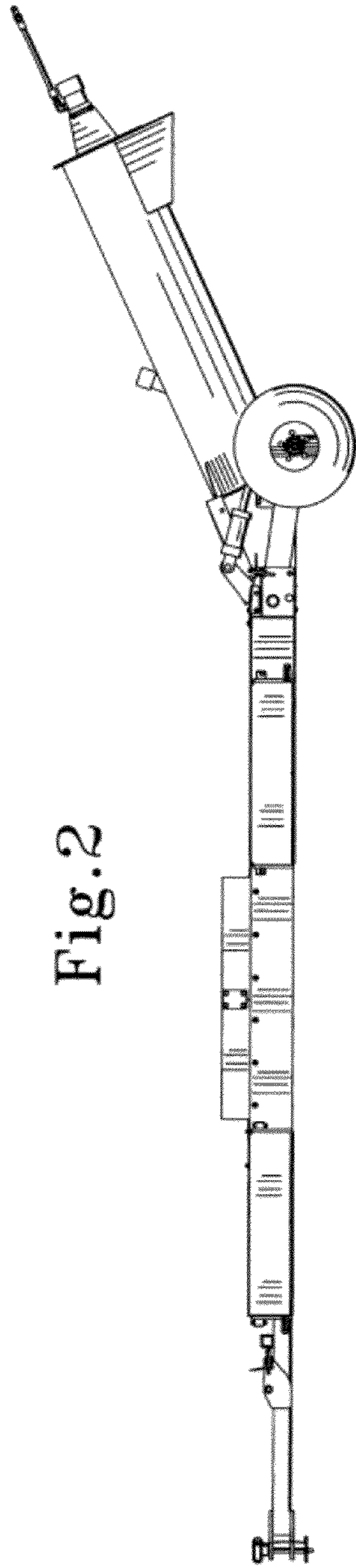


Fig. 2

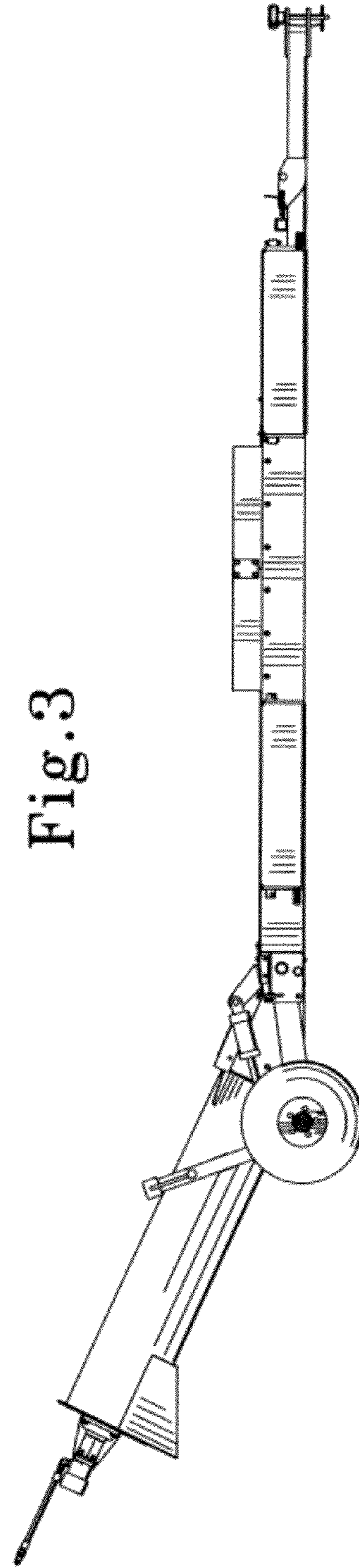


Fig. 3

Fig.4

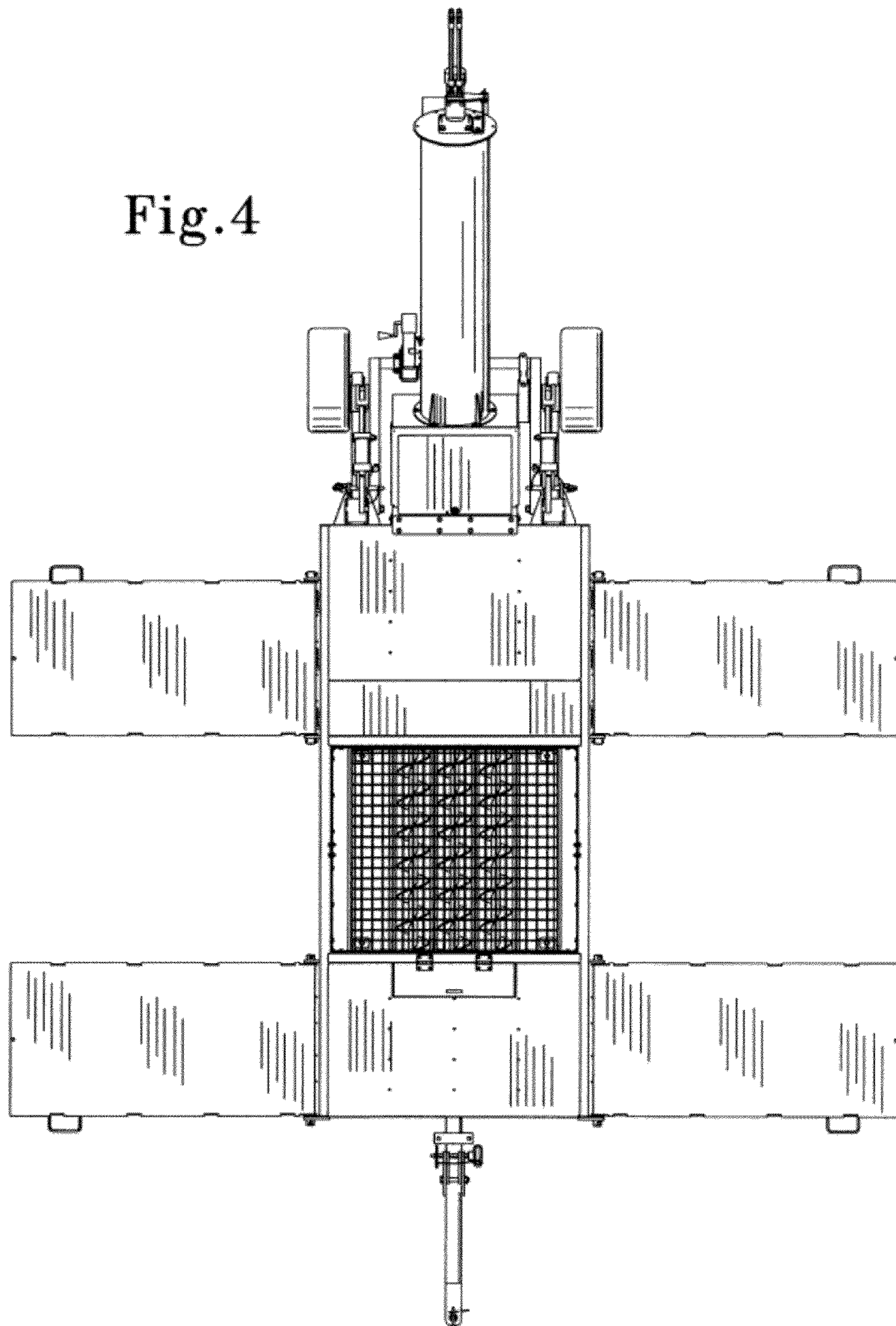


Fig.5

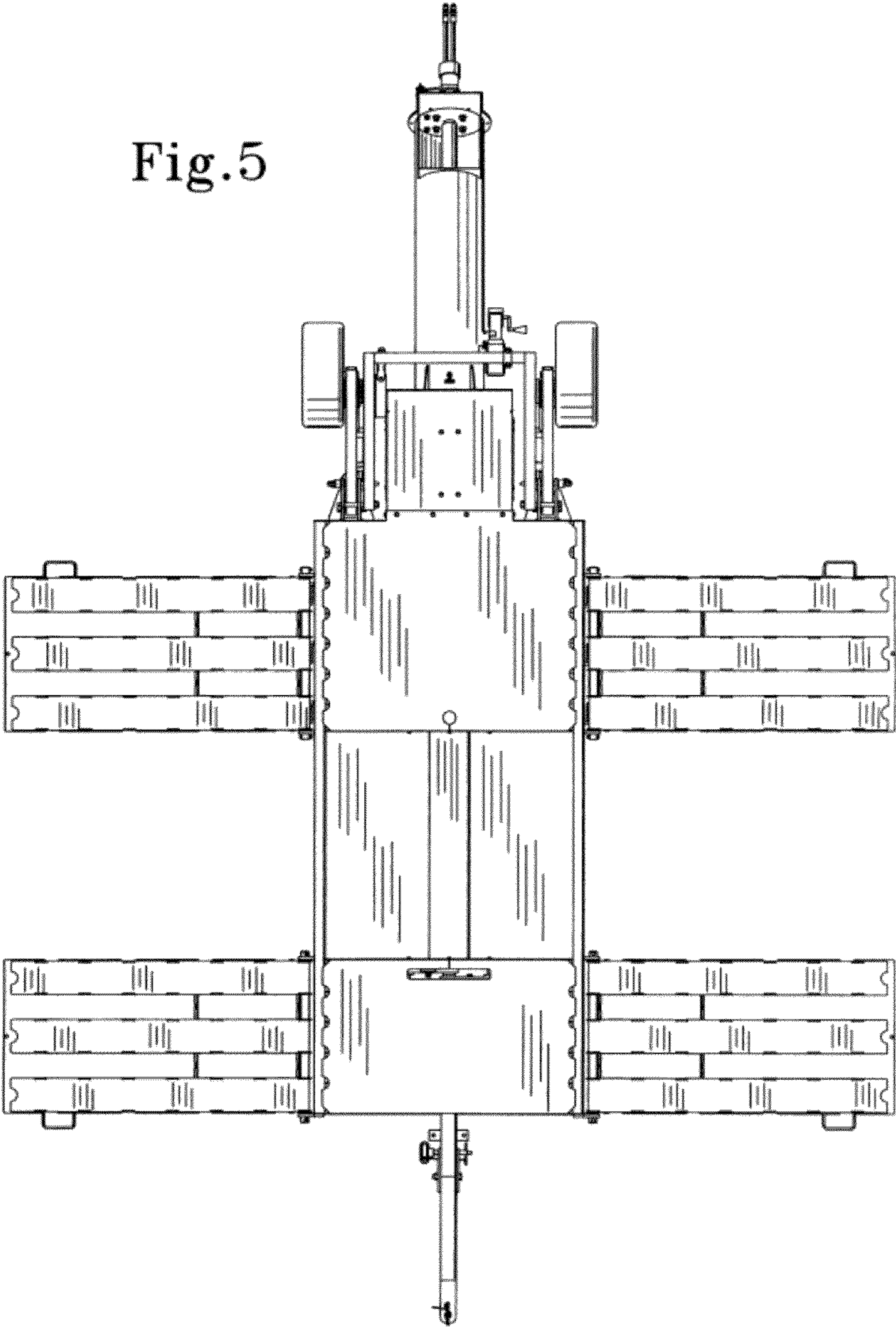


Fig.6

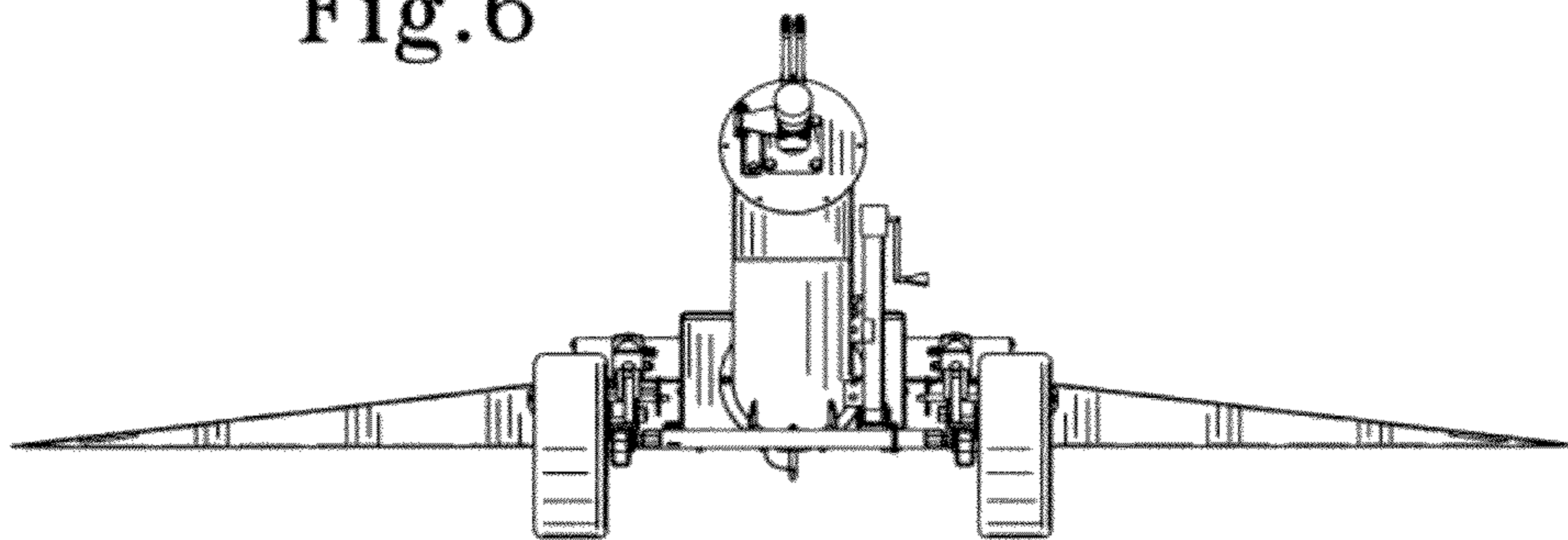


Fig.7

