



US00D662855S

(12) **United States Design Patent**
Wang

(10) **Patent No.:** **US D662,855 S**

(45) **Date of Patent:** **** Jul. 3, 2012**

(54) **ALL TERRAIN VEHICLE**

(56) **References Cited**

(75) Inventor: **Heyuan Wang**, Zhejiang Province (CN)

U.S. PATENT DOCUMENTS

(73) Assignee: **Zhejiang Xinyang Industry Co., Ltd.**,
Zhejiang Province (CN)

D327,237 S * 6/1992 Miyamoto et al. D12/87
D640,171 S * 6/2011 Danisi D12/87
D641,288 S * 7/2011 Sun D12/87
D650,311 S * 12/2011 Bracy D12/87

(**) Term: **14 Years**

* cited by examiner

(21) Appl. No.: **29/391,299**

Primary Examiner — Melody N Brown

(22) Filed: **May 6, 2011**

(57) **CLAIM**
The ornamental design for an all terrain vehicle.

(30) **Foreign Application Priority Data**

DESCRIPTION

Apr. 3, 2011 (CN) 2011 3 0065943

(51) **LOC (9) Cl.** **12-08**

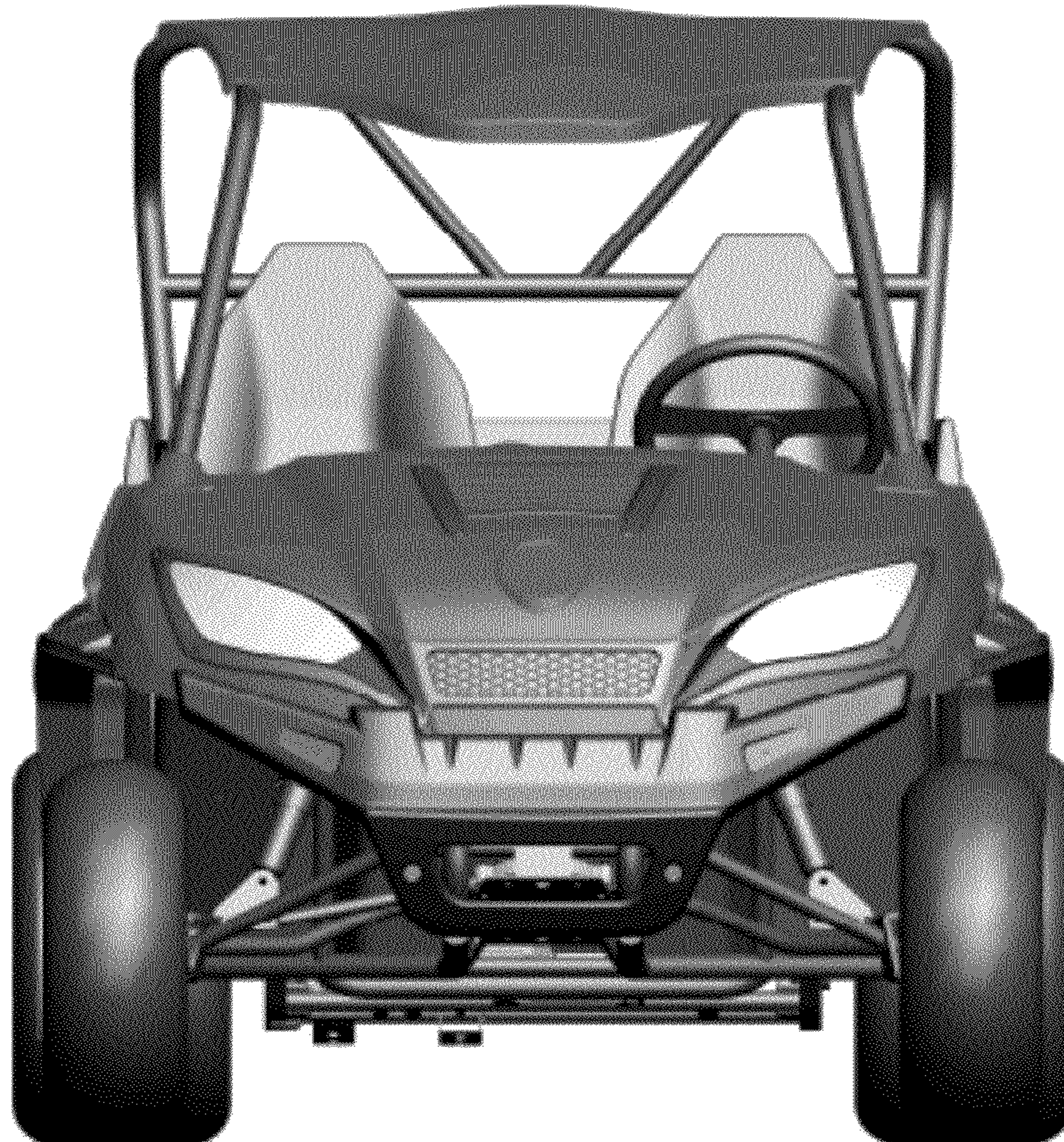
(52) **U.S. Cl.** **D12/87**

(58) **Field of Classification Search** D12/86,
D12/87, 1; D21/424, 433; 296/181.1, 181.5

FIG. 1 is a front elevational view of an all terrain vehicle showing my new design;
FIG. 2 is a rear elevational view thereof;
FIG. 3 is a left side view thereof;
FIG. 4 is a right side view thereof;
FIG. 5 is a top plan view thereof;
FIG. 6 is a perspective view thereof; and,
FIG. 7 is another perspective view thereof.

See application file for complete search history.

1 Claim, 5 Drawing Sheets



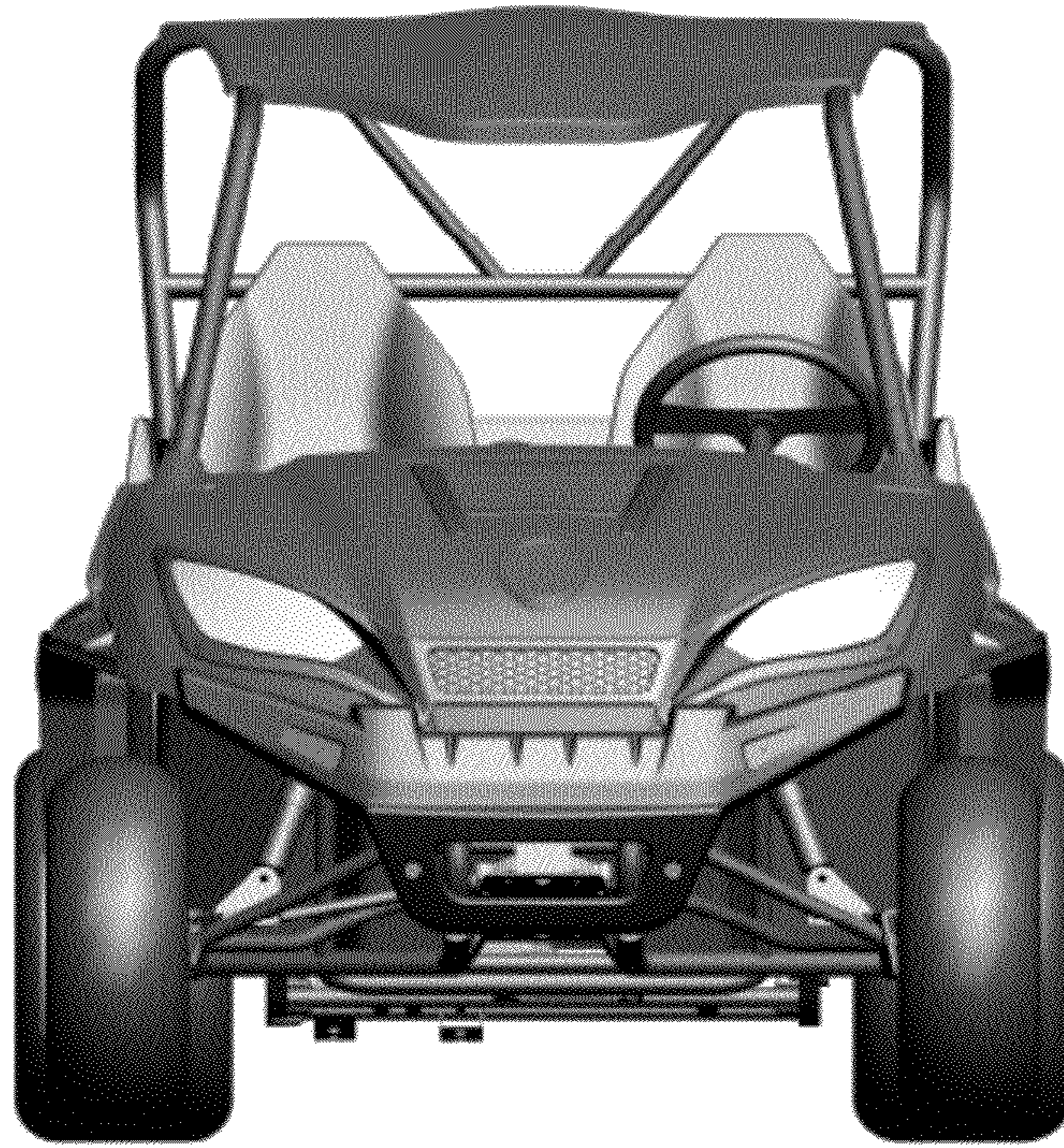


FIG. 1

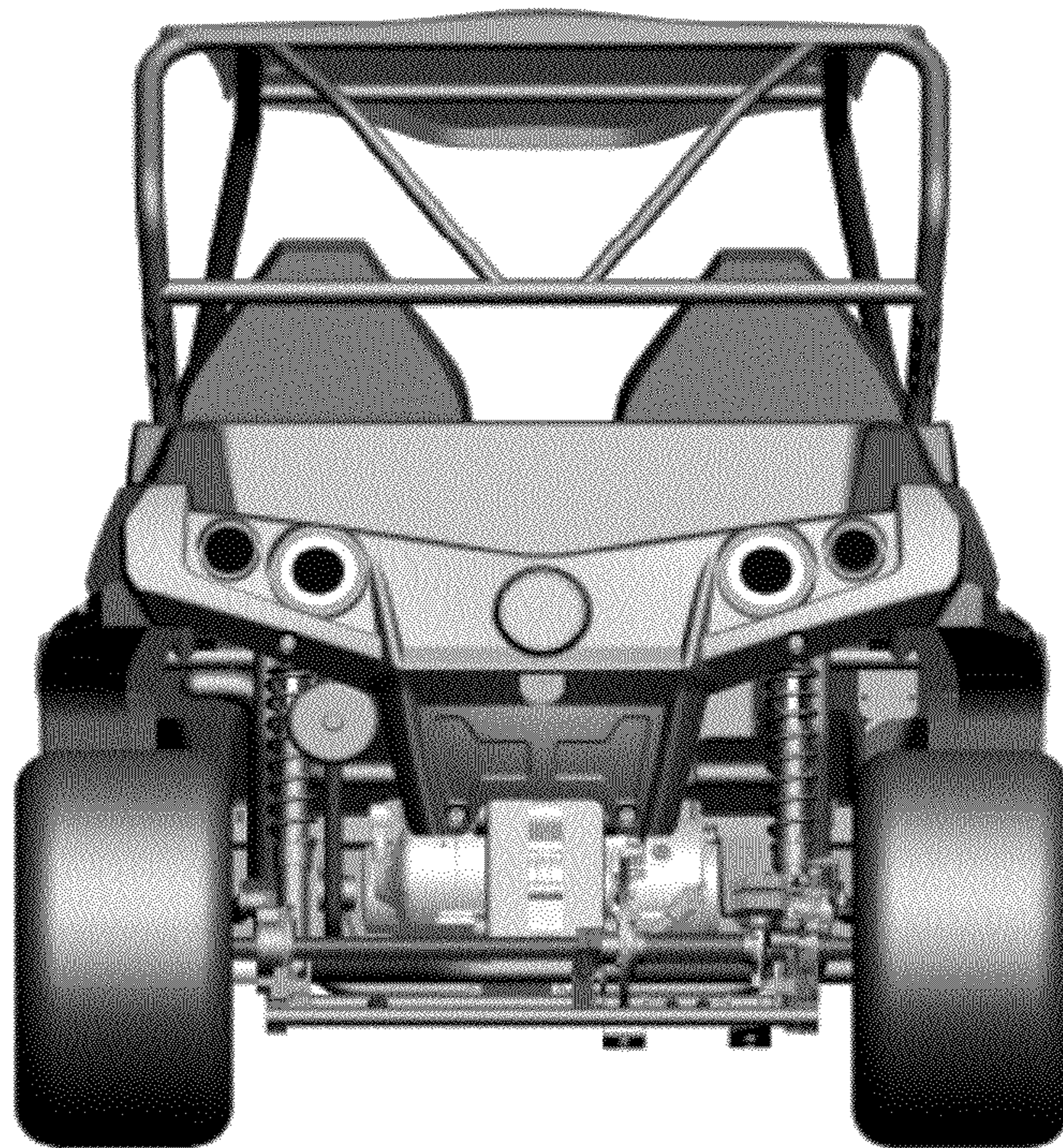


FIG. 2

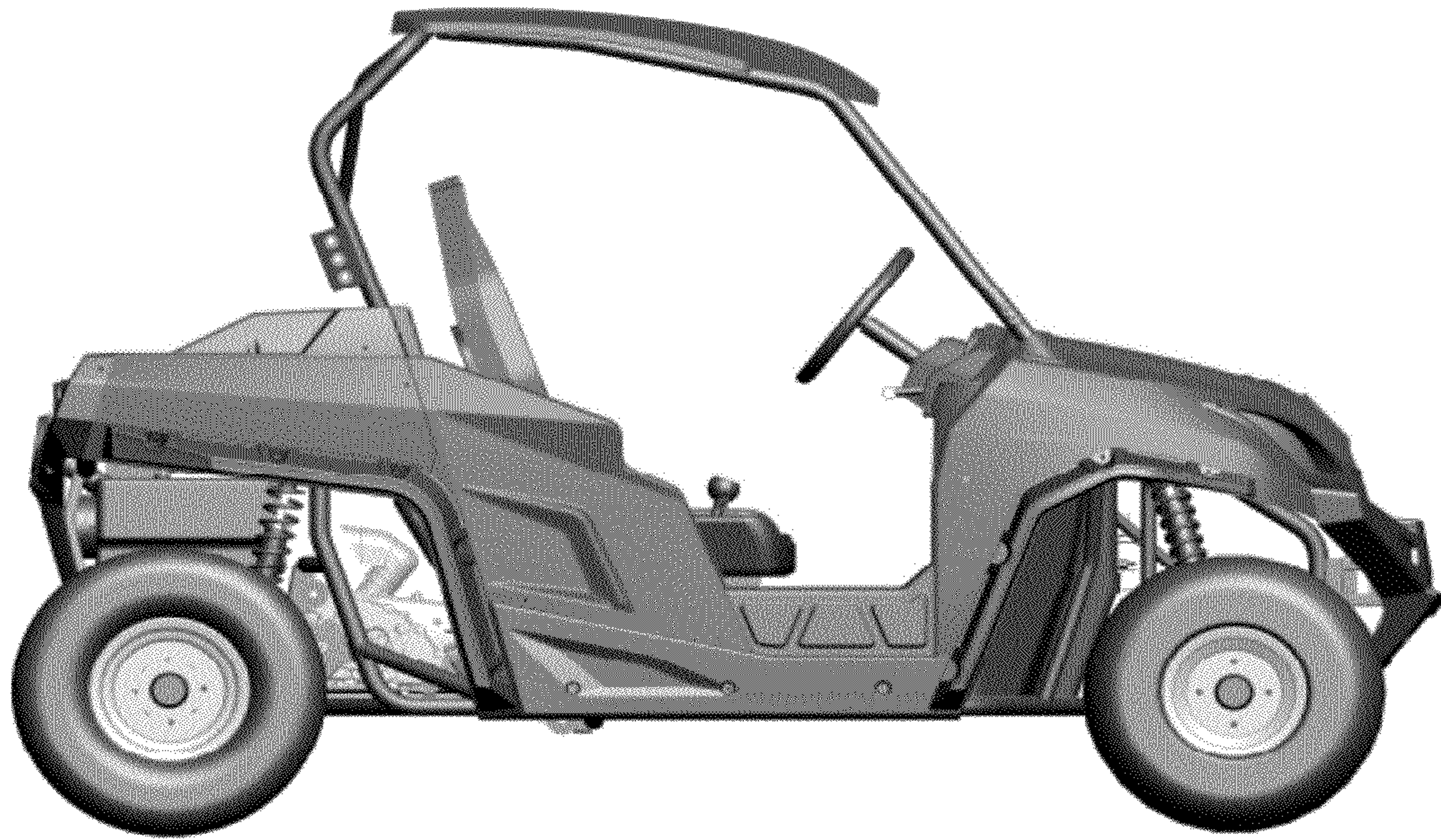


FIG. 3

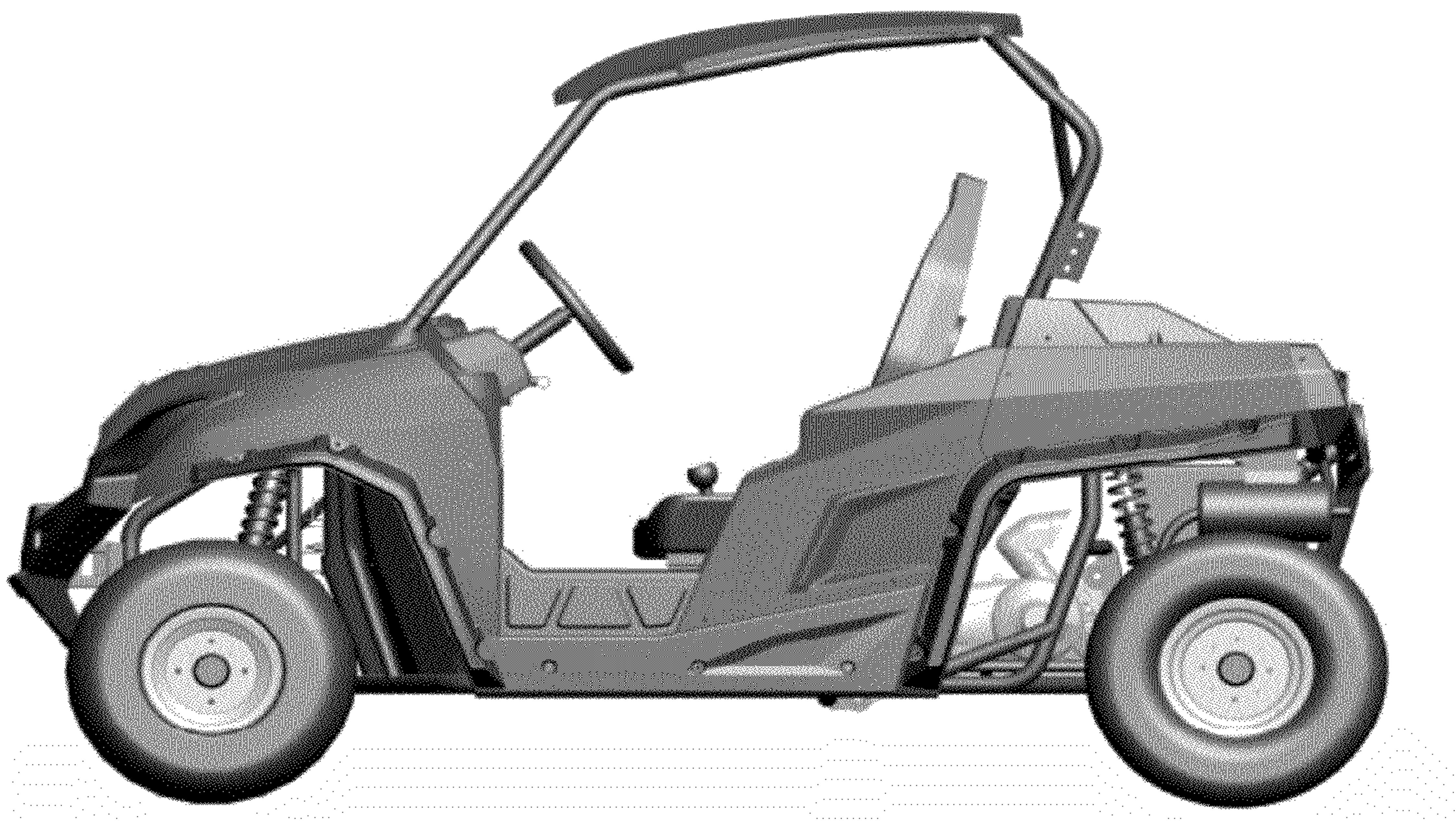


FIG. 4



FIG. 5



FIG. 6

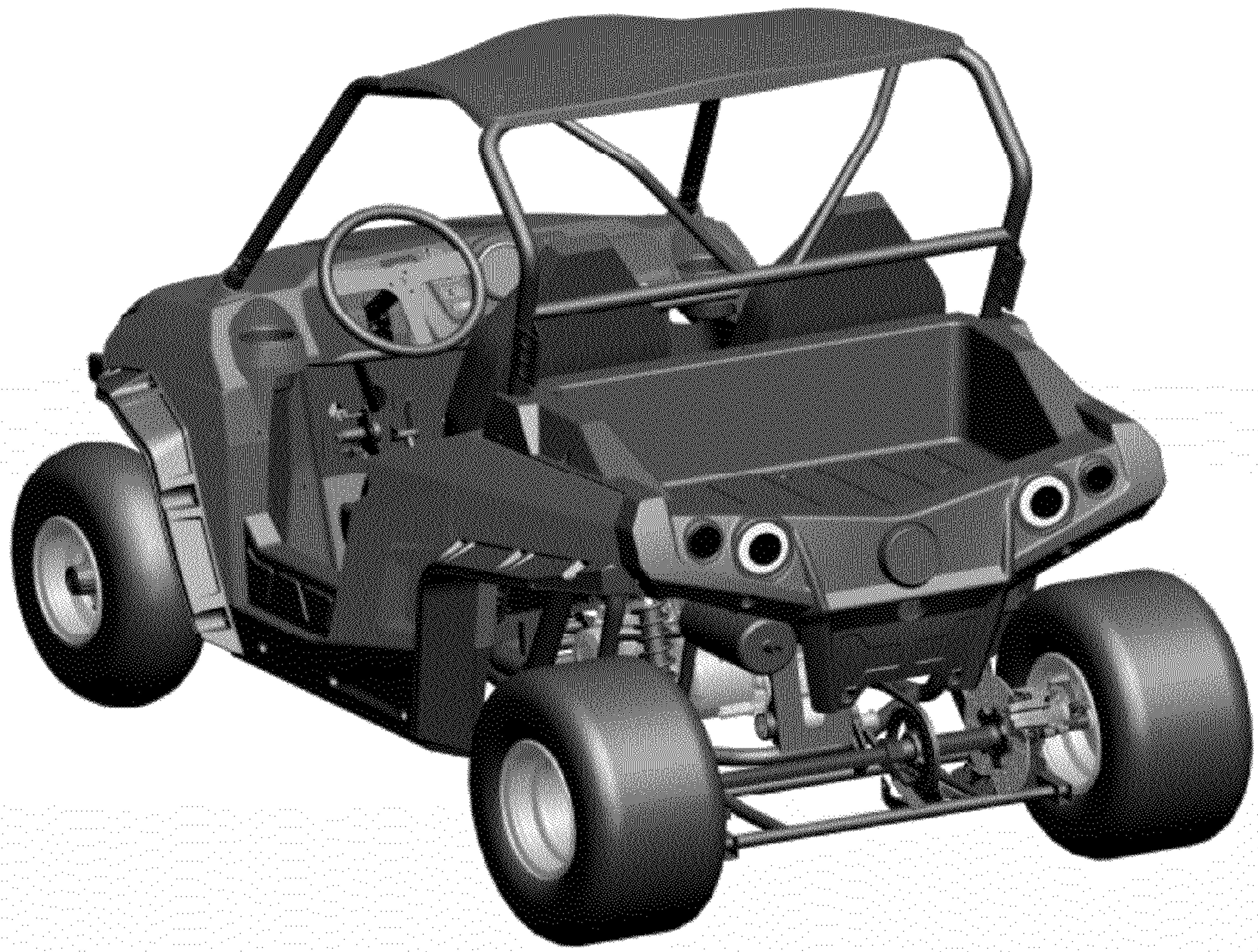


FIG. 7