



US00D662844S

(12) **United States Design Patent**  
**Guerrero**

(10) **Patent No.:** **US D662,844 S**  
(45) **Date of Patent:** **\*\* Jul. 3, 2012**

(54) **FLUID MEASUREMENT INSTRUMENT**

(75) Inventor: **Sergio Guerrero**, Valinda, CA (US)  
(73) Assignee: **Georg Fischer Signet LLC**, El Monte, CA (US)  
(\*\*) Term: **14 Years**

(21) Appl. No.: **29/385,876**

(22) Filed: **Feb. 22, 2011**

(51) **LOC (9) Cl.** ..... **10-04**

(52) **U.S. Cl.** ..... **D10/96**

(58) **Field of Classification Search** ..... D10/96;  
73/861.77, 861.79, 861.89, 861.91, 861.92;  
340/438, 425.5, 461, 462; 356/436; 417/321  
See application file for complete search history.

(56) **References Cited**

**U.S. PATENT DOCUMENTS**

D257,719 S	12/1980	Irion	
D282,448 S	2/1986	Hall	
D329,619 S	9/1992	Cartwright	
5,251,149 A *	10/1993	Williams et al.	702/46
D359,249 S	6/1995	Baarman	
D366,218 S	1/1996	Price et al.	
D441,672 S	5/2001	Fandrey et al.	
D483,276 S	12/2003	Schabbach	
D562,168 S	2/2008	Johnson et al.	
D628,105 S	11/2010	Lee	
D633,401 S *	3/2011	Cavanaugh et al.	D10/96

**OTHER PUBLICATIONS**

“Signet 8550-1 Flow Transmitter Manual” (Jan. 2009).  
“GF Piping Systems Datasheet —Type 8550” (Sep. 9, 2009).

\* cited by examiner

*Primary Examiner* — Antoine D Davis

(74) *Attorney, Agent, or Firm* — Tsirou Law, P.C.

(57) **CLAIM**

I claim the ornamental design for a fluid measurement instrument, as shown and described.

**DESCRIPTION**

FIG. 1 is a front perspective view of a fluid measurement instrument accordance with the new design.

FIG. 2 is a right elevational view of the fluid measurement instrument of FIG. 1.

FIG. 3 is a left elevational view of the fluid measurement instrument of FIG. 1.

FIG. 4 is a front elevational view of the fluid measurement instrument of FIG. 1.

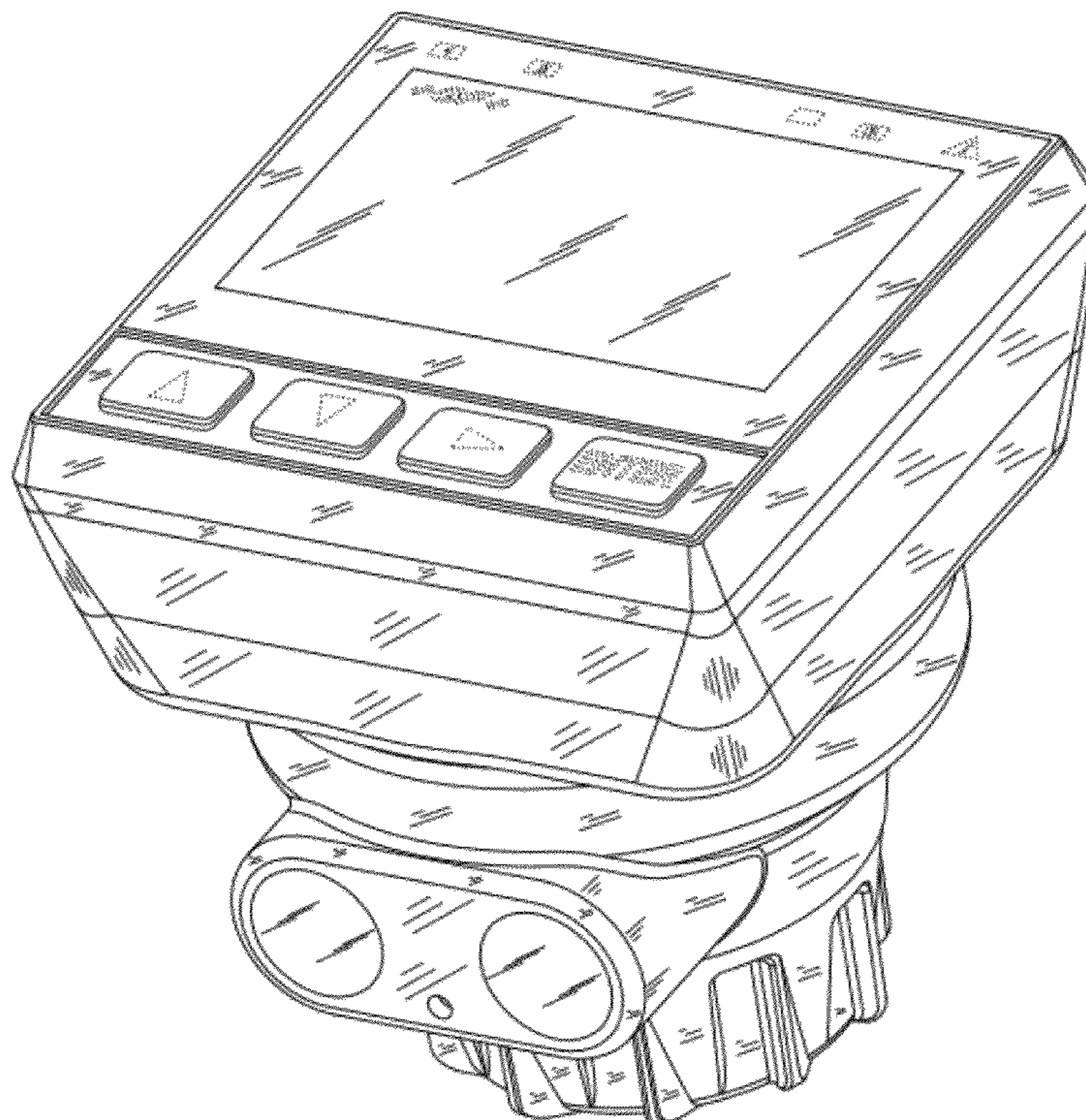
FIG. 5 is a back elevational view of the fluid measurement instrument of FIG. 1.

FIG. 6 is a top view of the fluid measurement instrument of FIG. 1; and,

FIG. 7 is a bottom view of the fluid measurement instrument of FIG. 1.

The dashed lines depict environmental aspects and form no part of the claimed design.

**1 Claim, 4 Drawing Sheets**





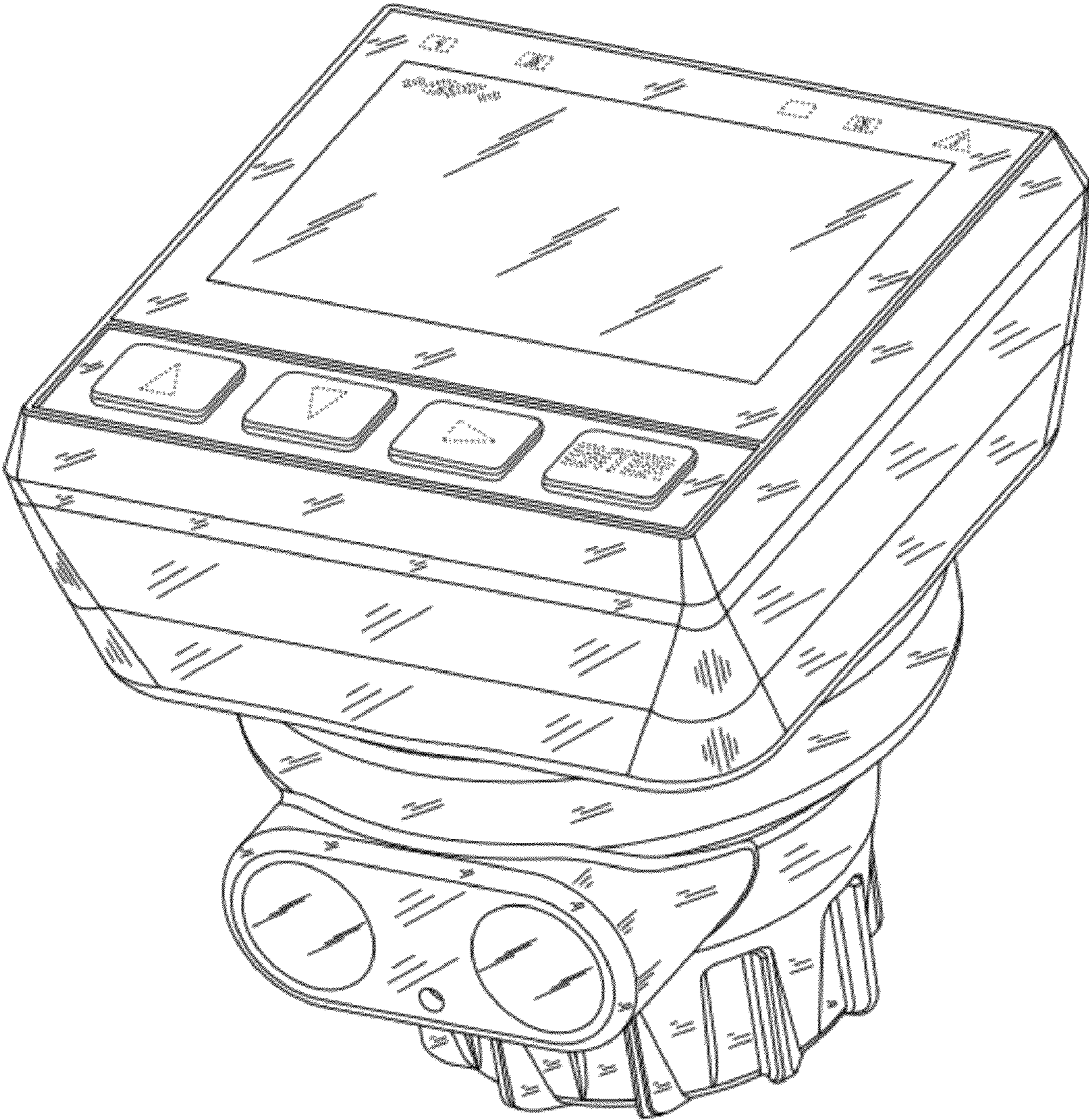


FIG. 1



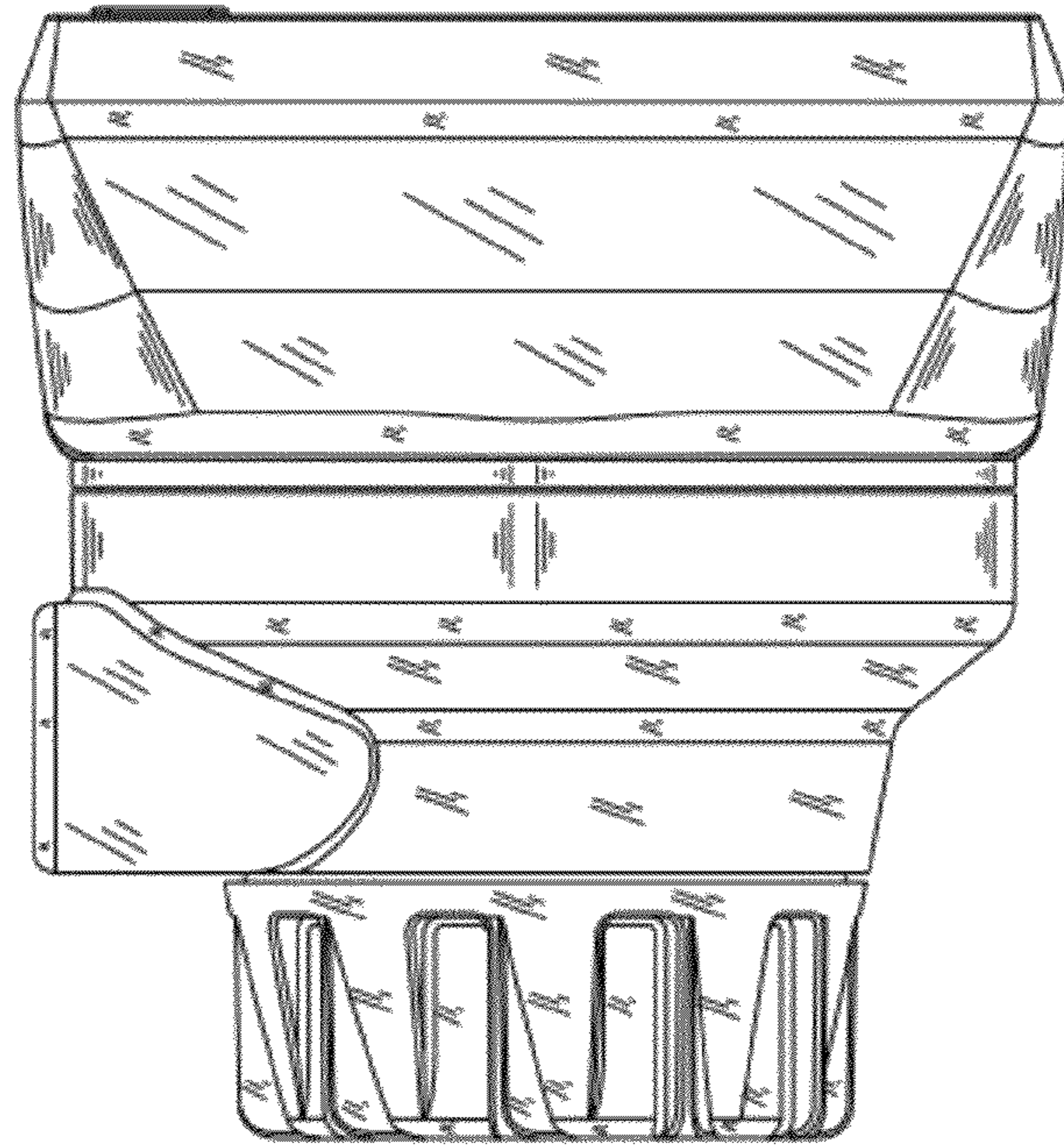


FIG. 2

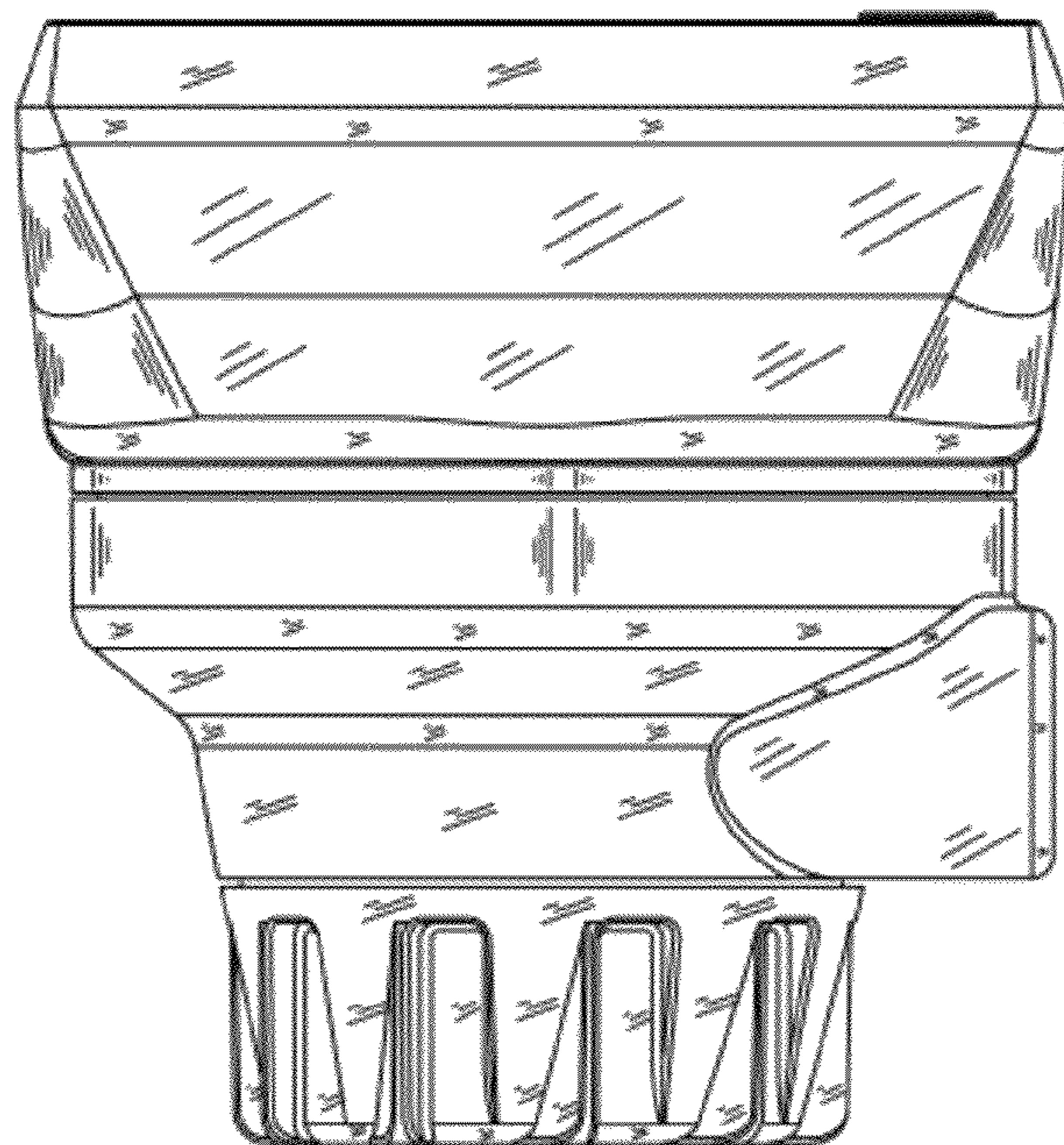


FIG. 3

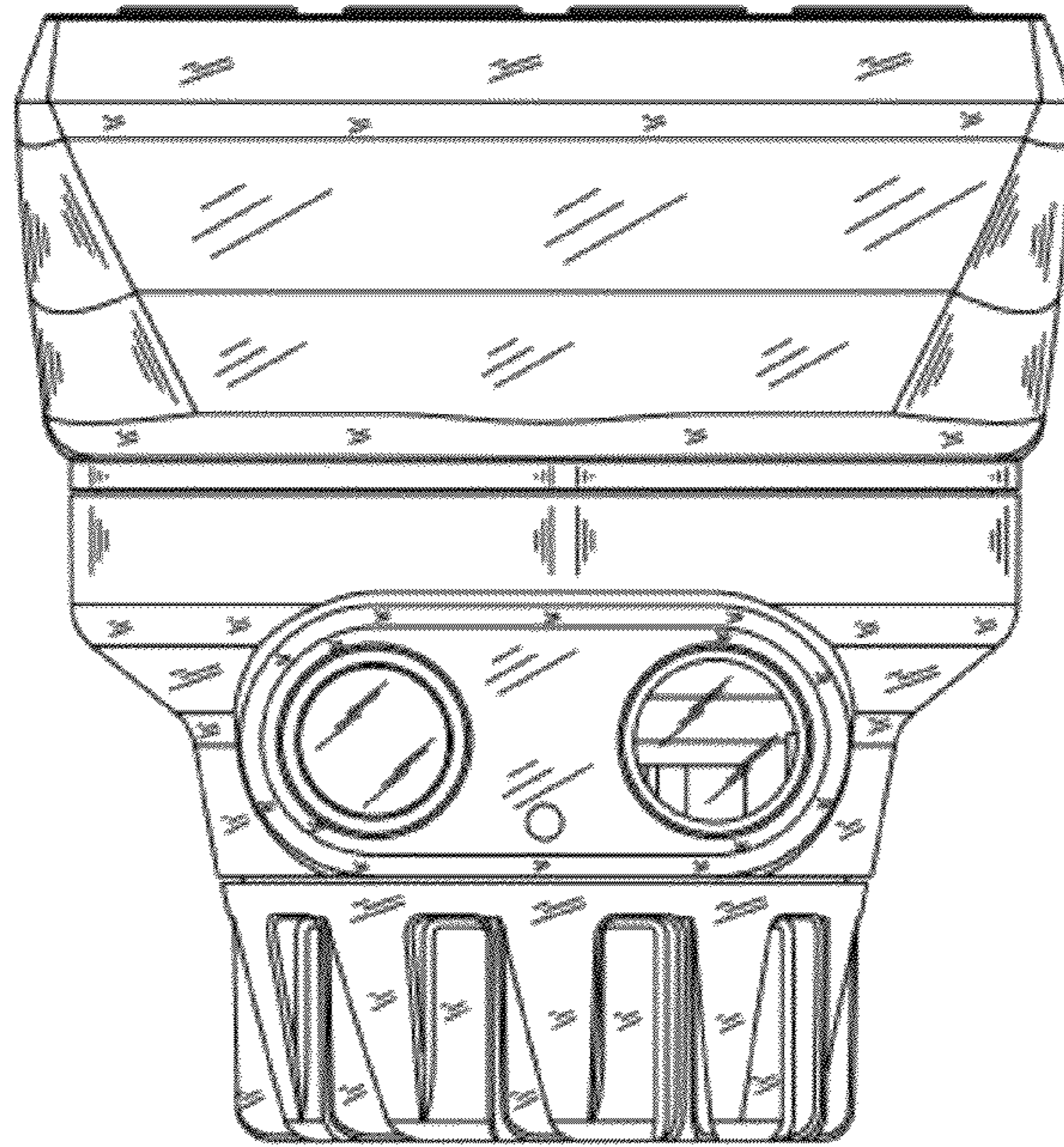


FIG. 4

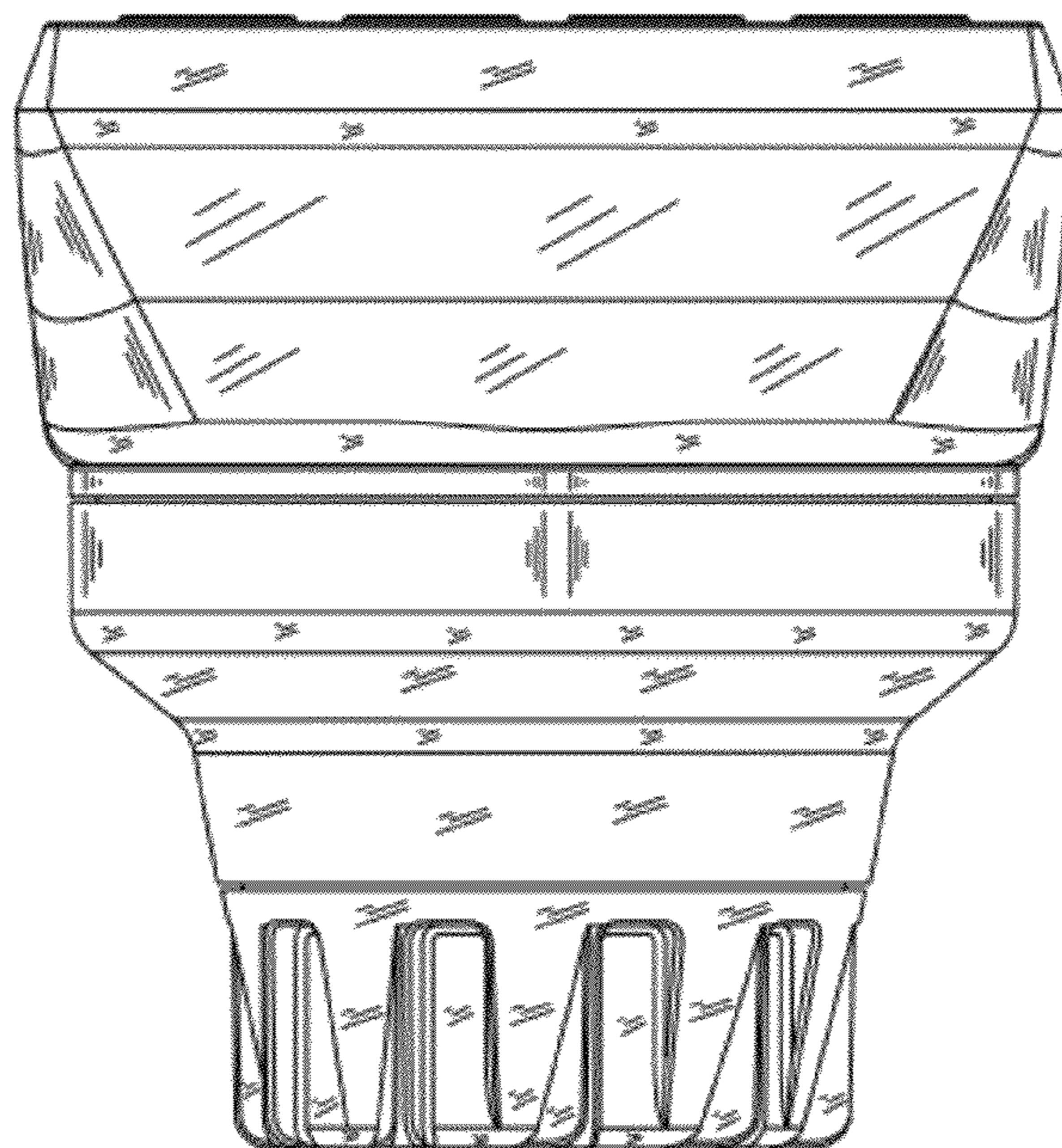


FIG. 5



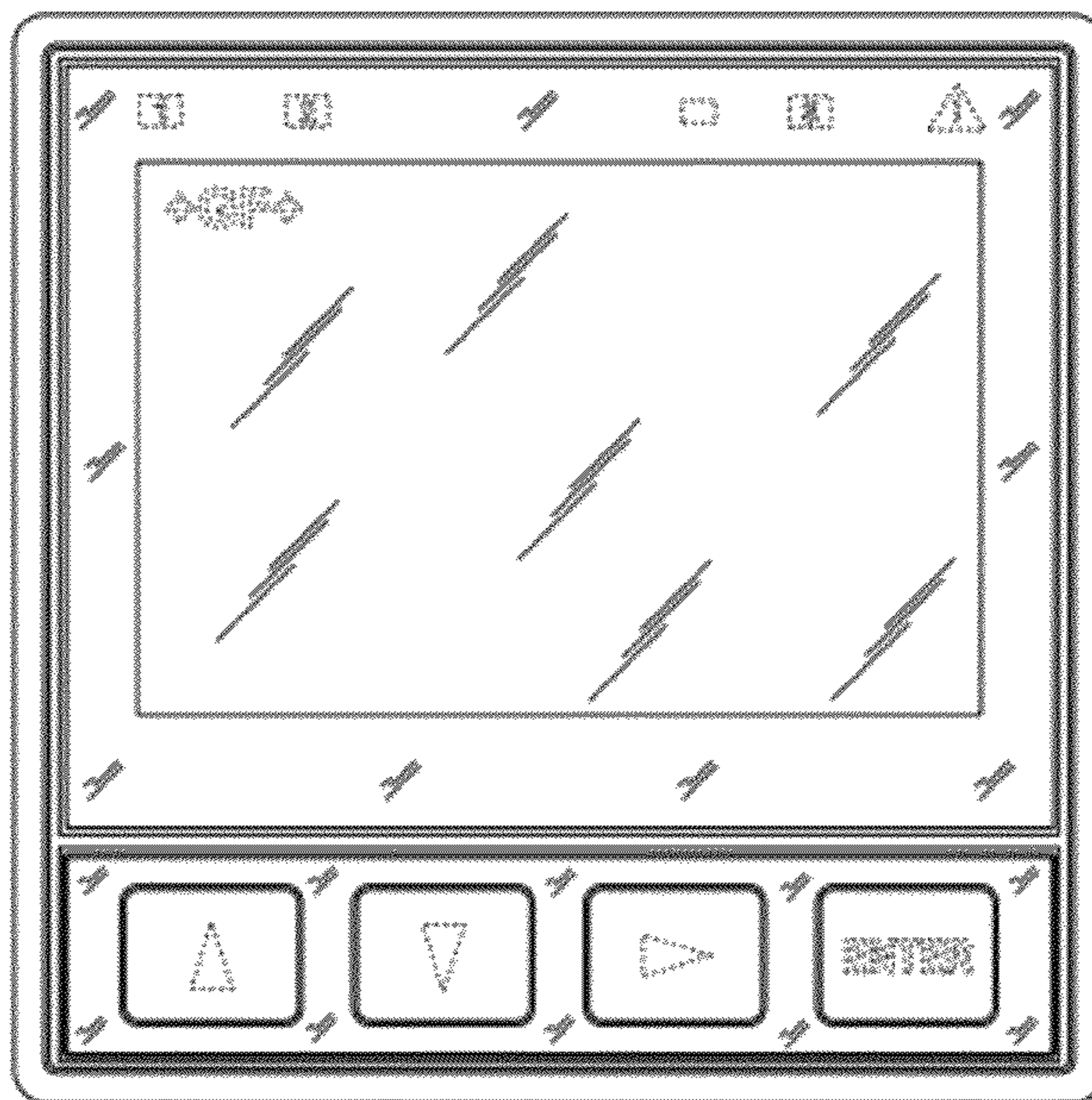


FIG. 6

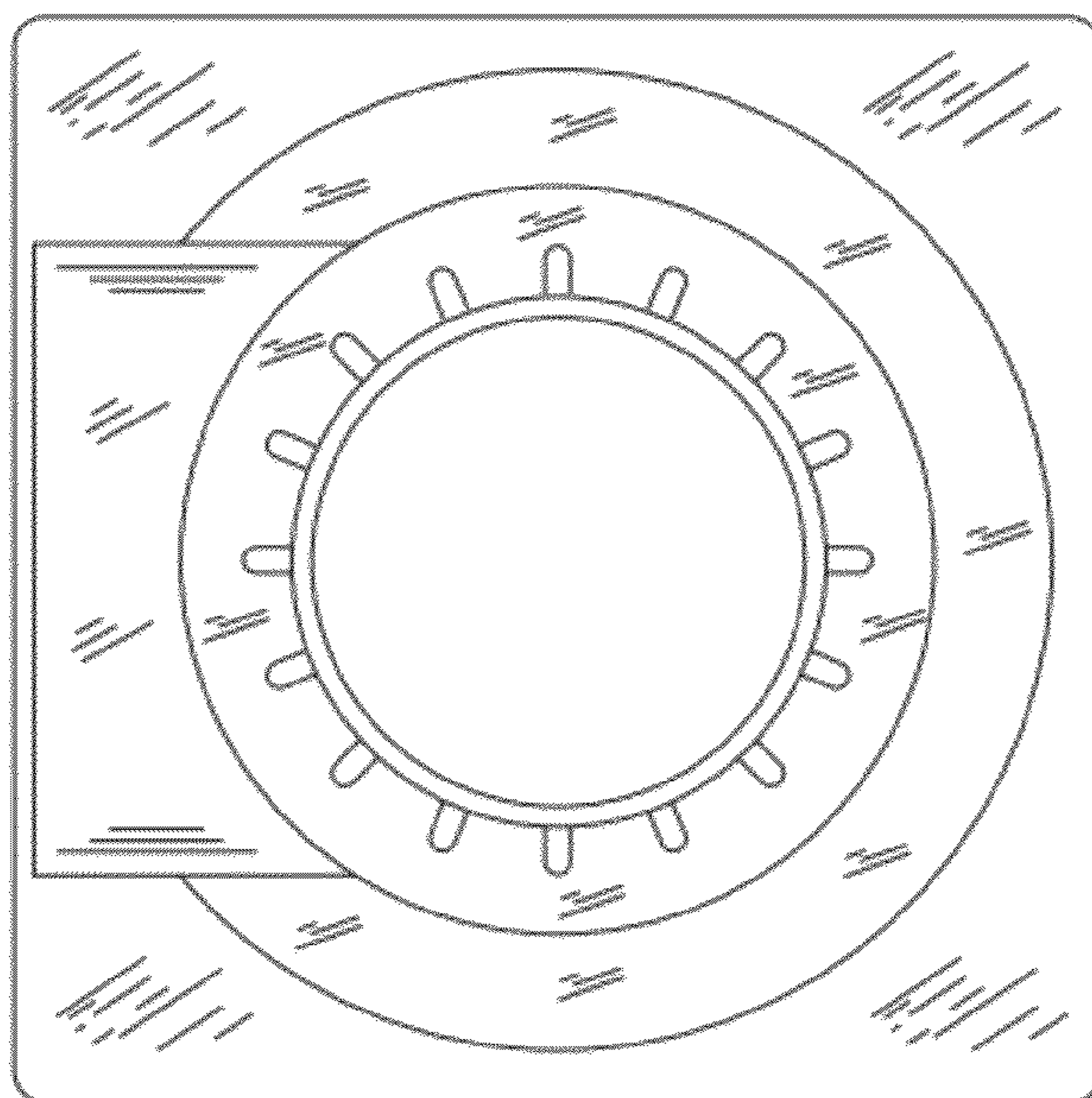


FIG. 7