



US00D662843S

(12) **United States Design Patent**
Ginther et al.

(10) **Patent No.:** **US D662,843 S**

(45) **Date of Patent:** **** Jul. 3, 2012**

(54) **ACOUSTIC SYSTEM TESTING DEVICE**

(56) **References Cited**

(75) Inventors: **James Ginther**, Boulder, CO (US);
John Timms, Longmont, CO (US);
Steven Emil Dananay, Longmont, CO
(US); **G. Wayne Moore**, Lyons, CO
(US)

U.S. PATENT DOCUMENTS

D319,501 S * 8/1991 Peterson D10/96
D378,316 S * 3/1997 Eckel D24/173
D545,702 S * 7/2007 Lord D10/78
2011/0132067 A1* 6/2011 Deangelo et al. 73/1.82
* cited by examiner

(73) Assignee: **Unisyn Medical Technologies**, Golden,
CO (US)

Primary Examiner — Antoine D Davis

(74) *Attorney, Agent, or Firm* — Marsh Fischmann &
Breyfogle LLP

(**) Term: **14 Years**

(57) **CLAIM**

The ornamental design for an acoustic-system testing device,
as shown and described.

(21) Appl. No.: **29/389,123**

DESCRIPTION

(22) Filed: **Apr. 6, 2011**

FIG. 1 is a perspective view;
FIG. 2 is a rear elevational view;
FIG. 3 is a top elevational view;
FIG. 4 is a right side elevational view;
FIG. 5 is a left side elevational view;
FIG. 6 is a front elevational view; and,
FIG. 7 is a bottom elevational view.
The portions of the drawings shown in broken lines illustrate
environment and form no part of the claimed design.

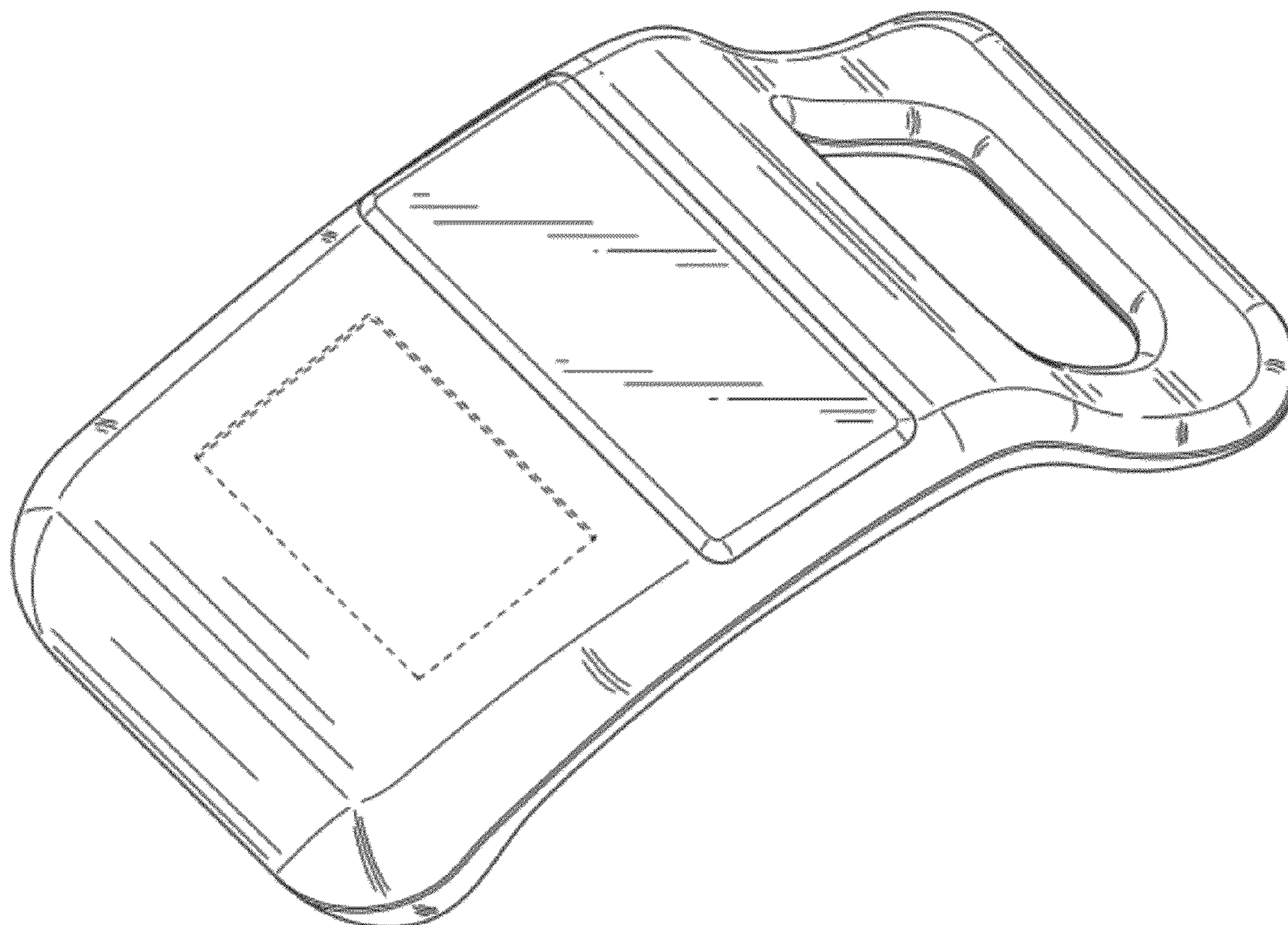
(51) **LOC (9) Cl.** **10-04**

(52) **U.S. Cl.** **D10/78; D24/173**

(58) **Field of Classification Search** D10/78,
D10/96; D24/133, 151, 173; 73/1.82, 589,
73/626; 324/686; 367/13

See application file for complete search history.

1 Claim, 5 Drawing Sheets



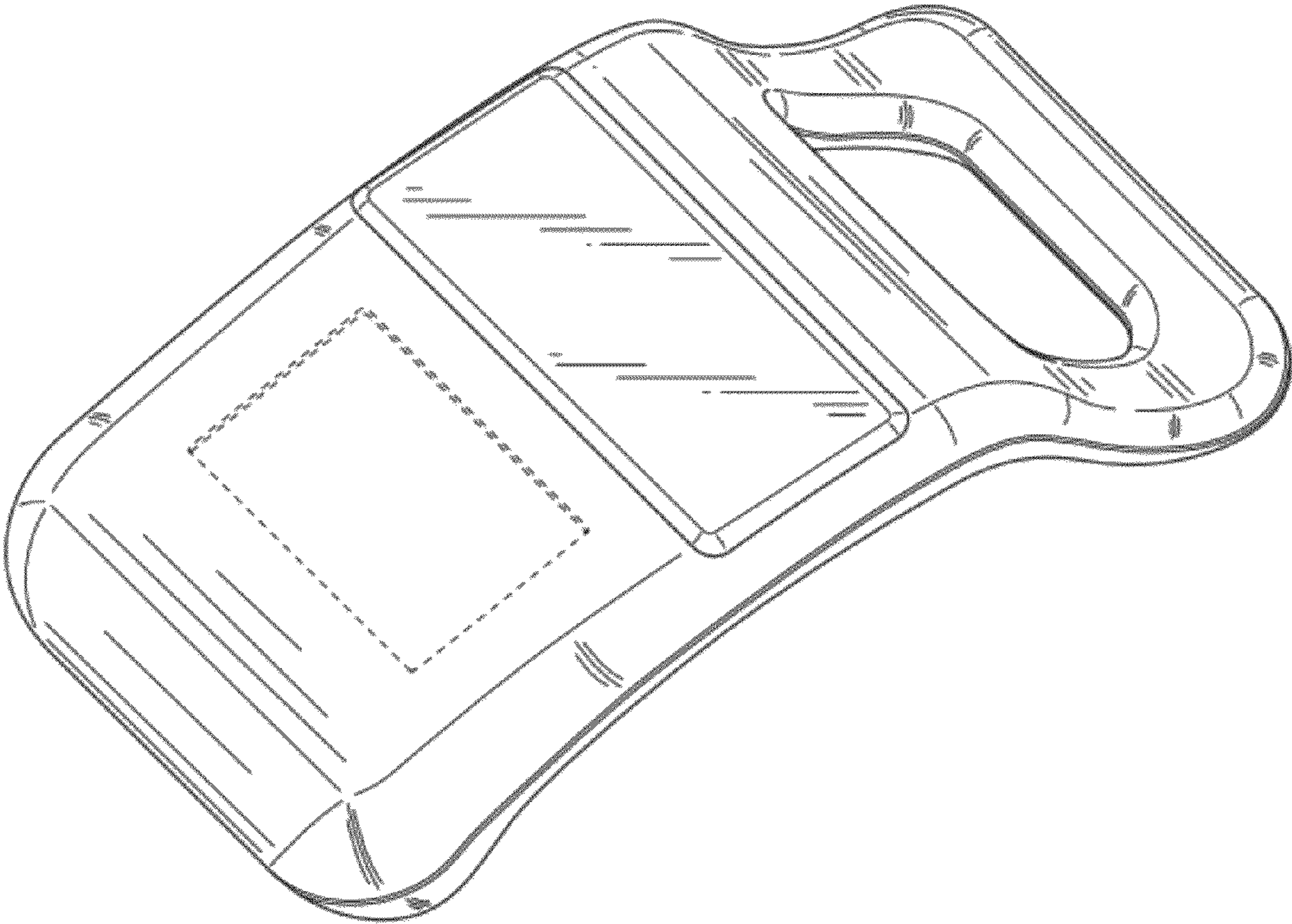


FIG.1

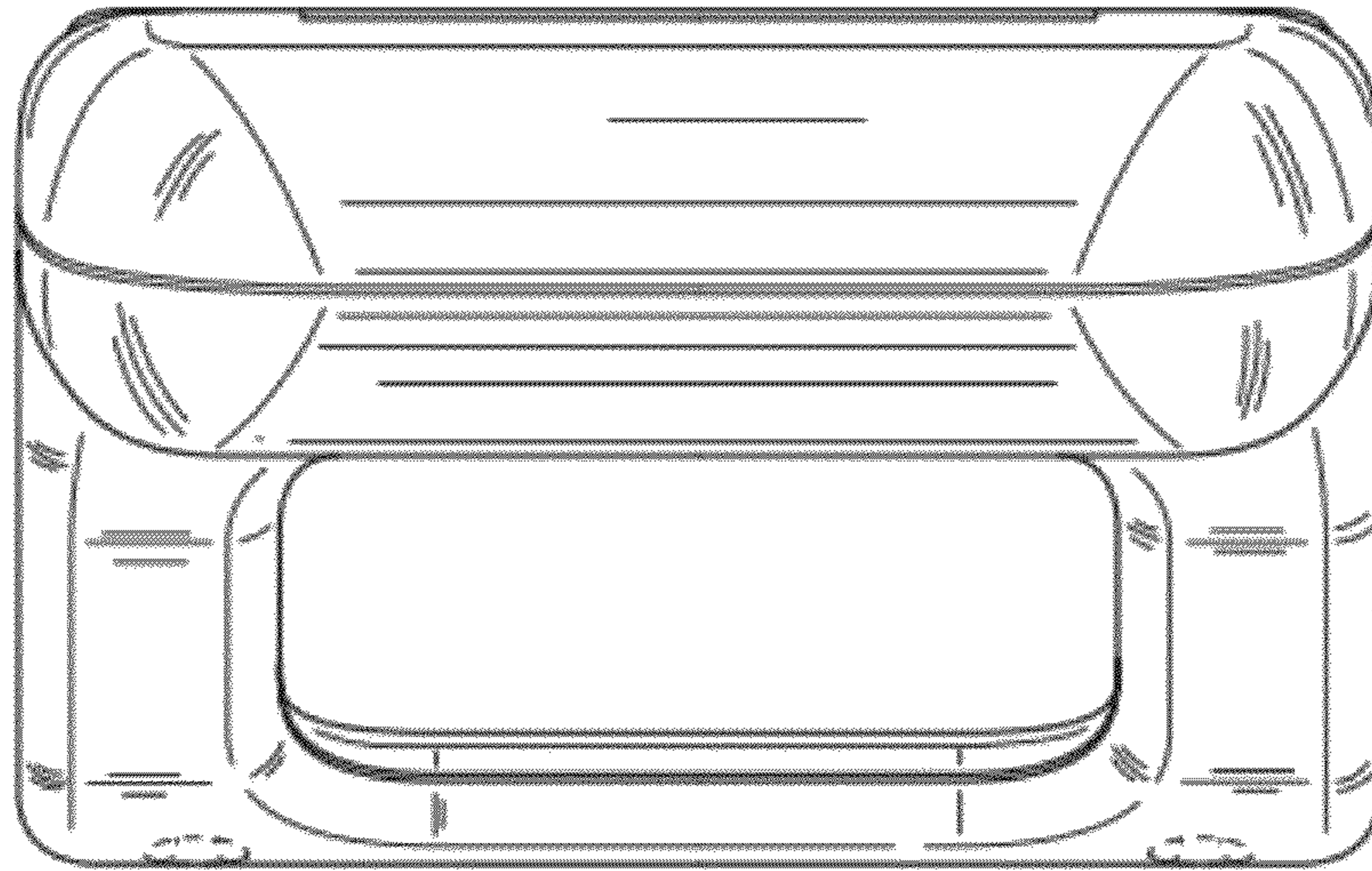


FIG. 2

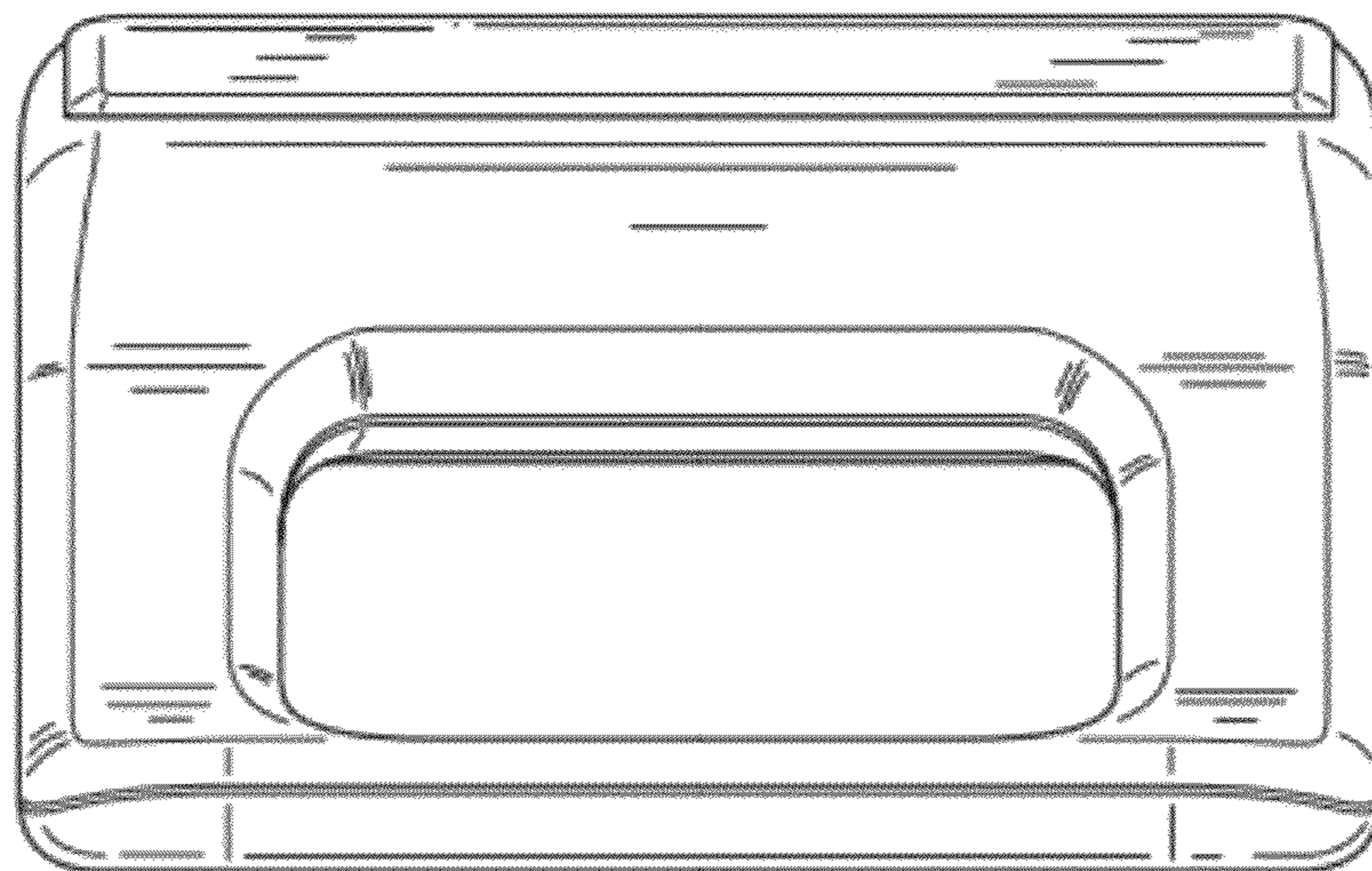


FIG. 3

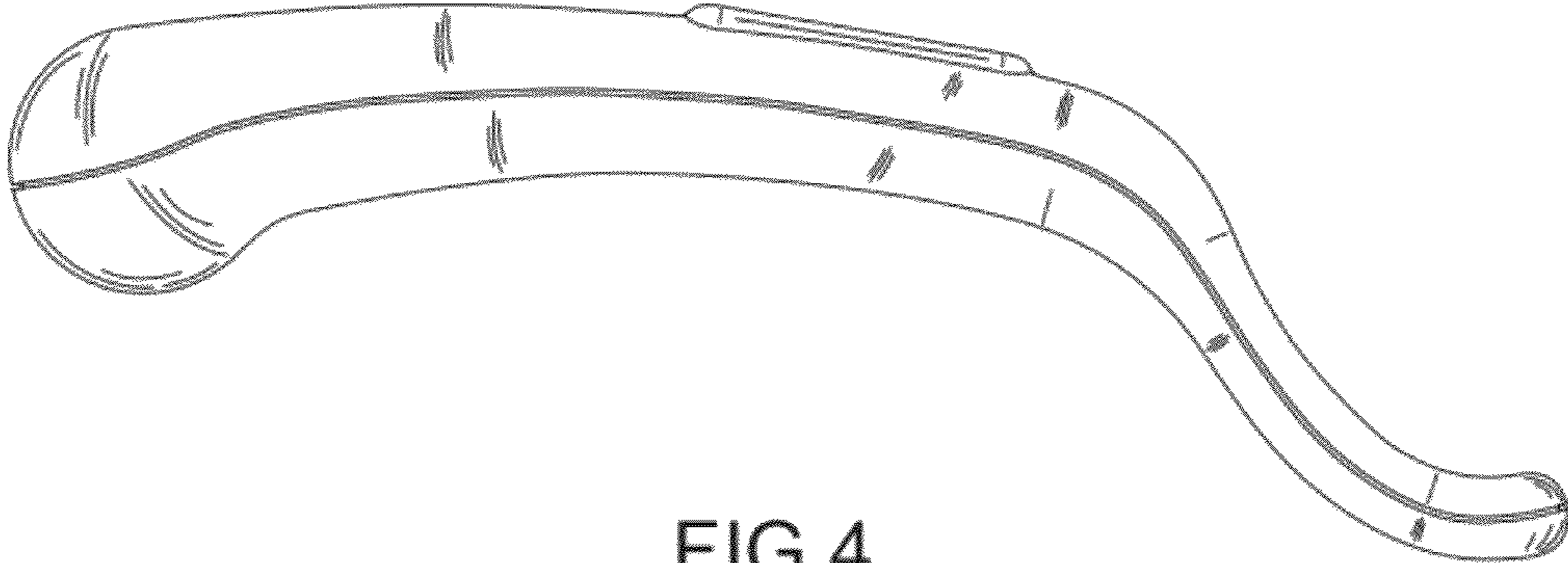


FIG. 4

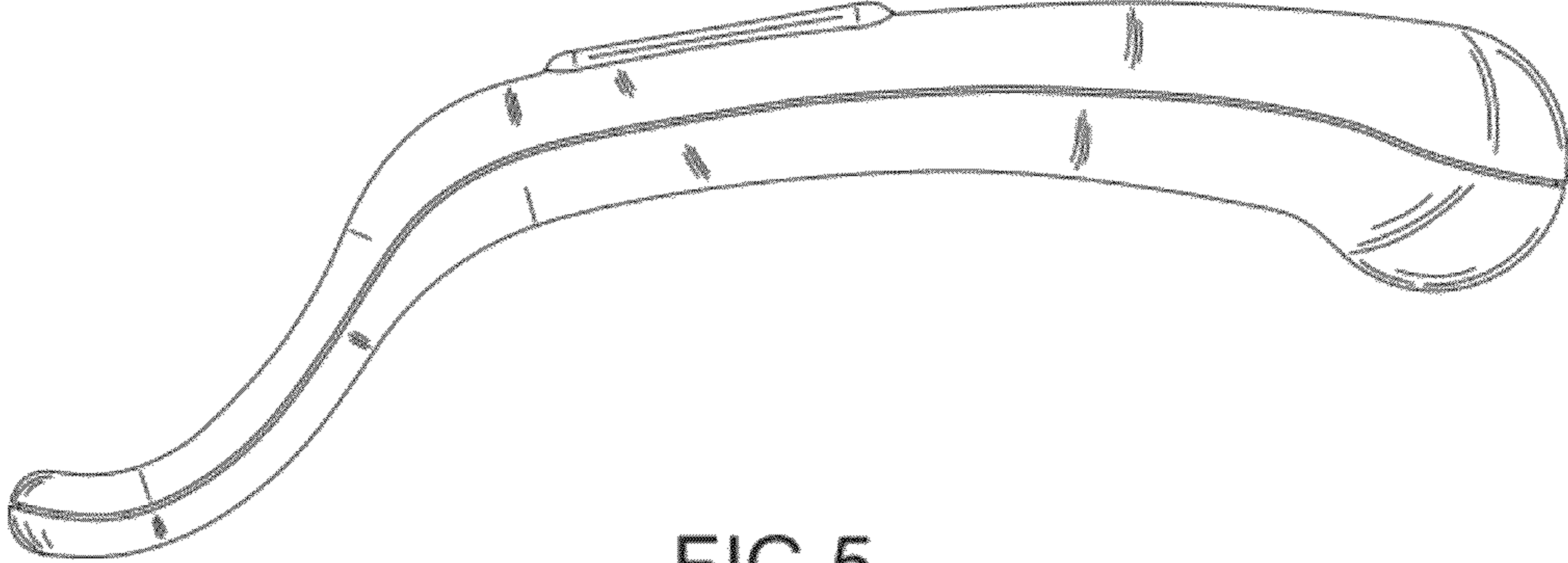


FIG. 5

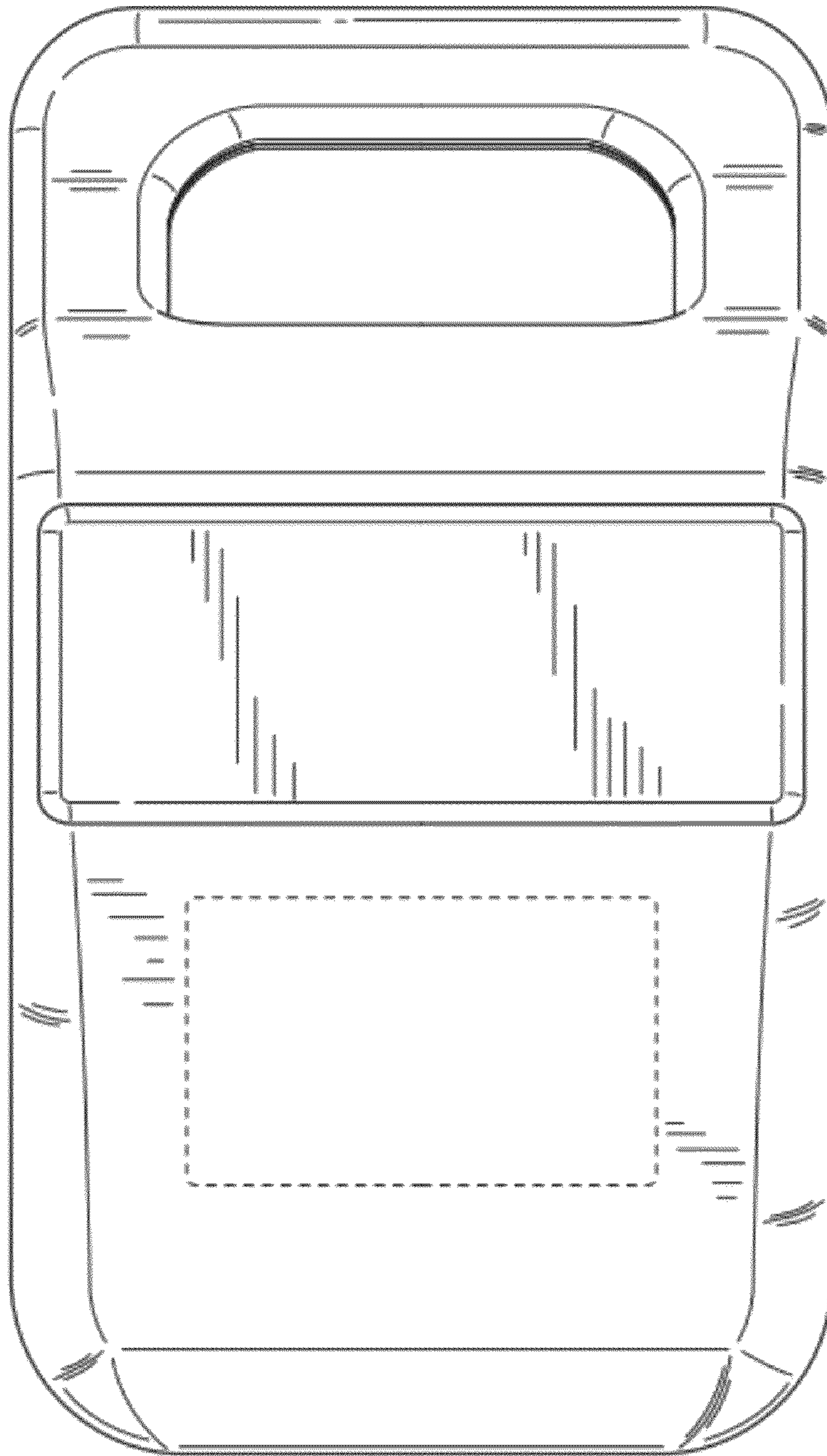


FIG.6

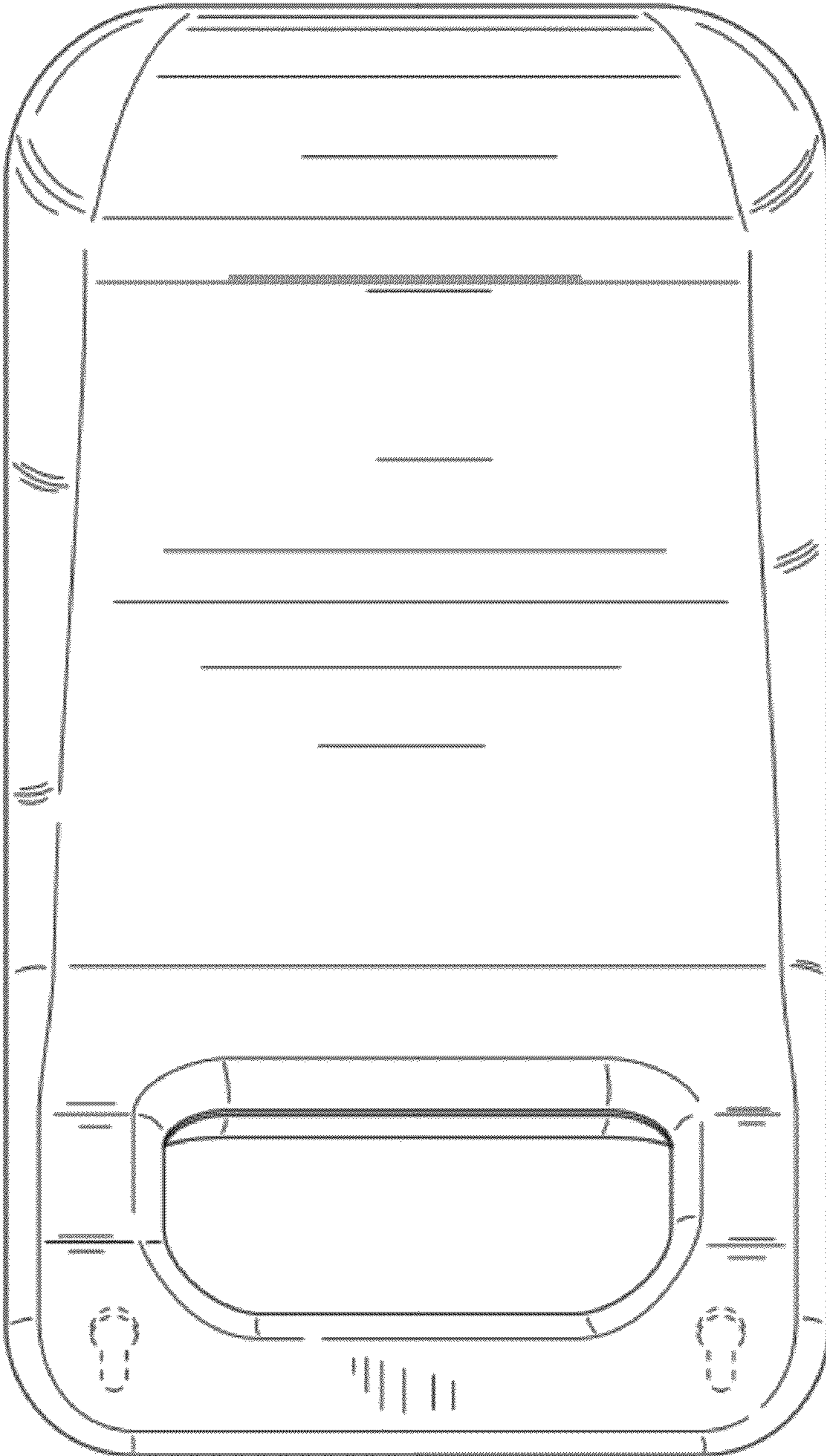


FIG.7