

US00D662842S

(12) **United States Design Patent**
Zhang

(10) **Patent No.:** **US D662,842 S**

(45) **Date of Patent:** **** Jul. 3, 2012**

(54) **DIGITAL CALIPER**

(76) Inventor: **Meng Zhang**, San Clemente, CA (US)

(**) Term: **14 Years**

(21) Appl. No.: **29/388,271**

(22) Filed: **Mar. 26, 2011**

(51) **LOC (9) Cl.** **10-04**

(52) **U.S. Cl.** **D10/73**

(58) **Field of Classification Search** D10/73;
33/783-832, DIG. 12

See application file for complete search history.

(56) **References Cited**

U.S. PATENT DOCUMENTS

D280,301	S *	8/1985	Nishina et al.	D10/73
4,586,260	A *	5/1986	Baxter et al.	33/706
4,963,811	A *	10/1990	Weber	320/101
D334,719	S *	4/1993	Yeo	D10/73
6,279,248	B1 *	8/2001	Walters	33/784
7,045,088	B2 *	5/2006	Matsumiya et al.	33/674

D556,064	S *	11/2007	Yang et al.	D10/73
D574,278	S *	8/2008	Zhang	D10/73
7,533,474	B2 *	5/2009	Saito et al.	33/811
7,765,712	B2 *	8/2010	Stockman	33/784

* cited by examiner

Primary Examiner — Antoine D Davis

(74) *Attorney, Agent, or Firm* — Let Z. Kwan, Esq.

(57) **CLAIM**

The ornamental design for a digital caliper, as shown and described.

DESCRIPTION

FIG. 1 is a top, right perspective view of a digital caliper showing my new design;

FIG. 2 is a left side view thereof;

FIG. 3 is a top plan view thereof;

FIG. 4 is a bottom plan view thereof;

FIG. 5 is a right side view thereof;

FIG. 6 is a head on view thereof; and,

FIG. 7 is a rear end view thereof.

1 Claim, 4 Drawing Sheets

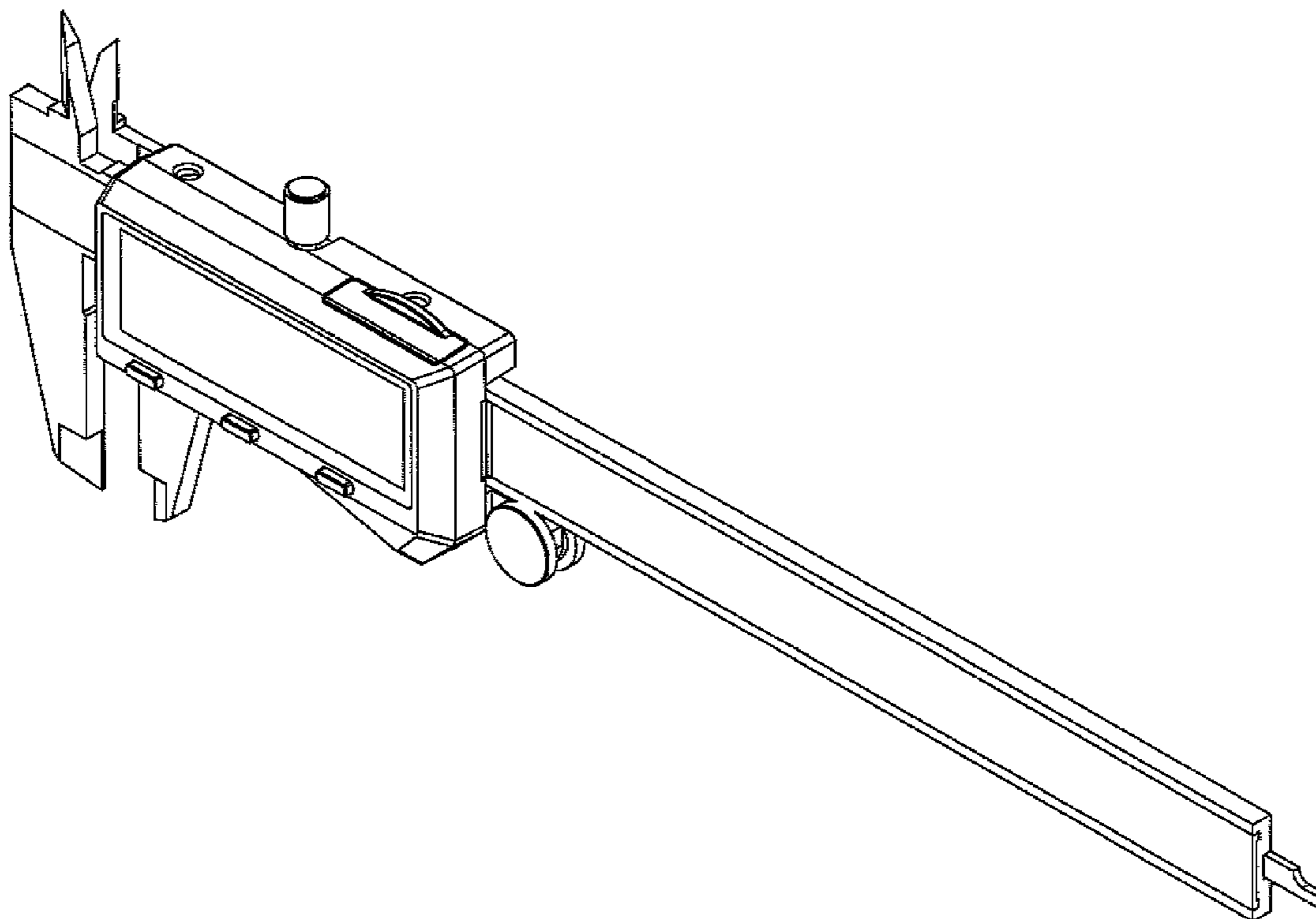
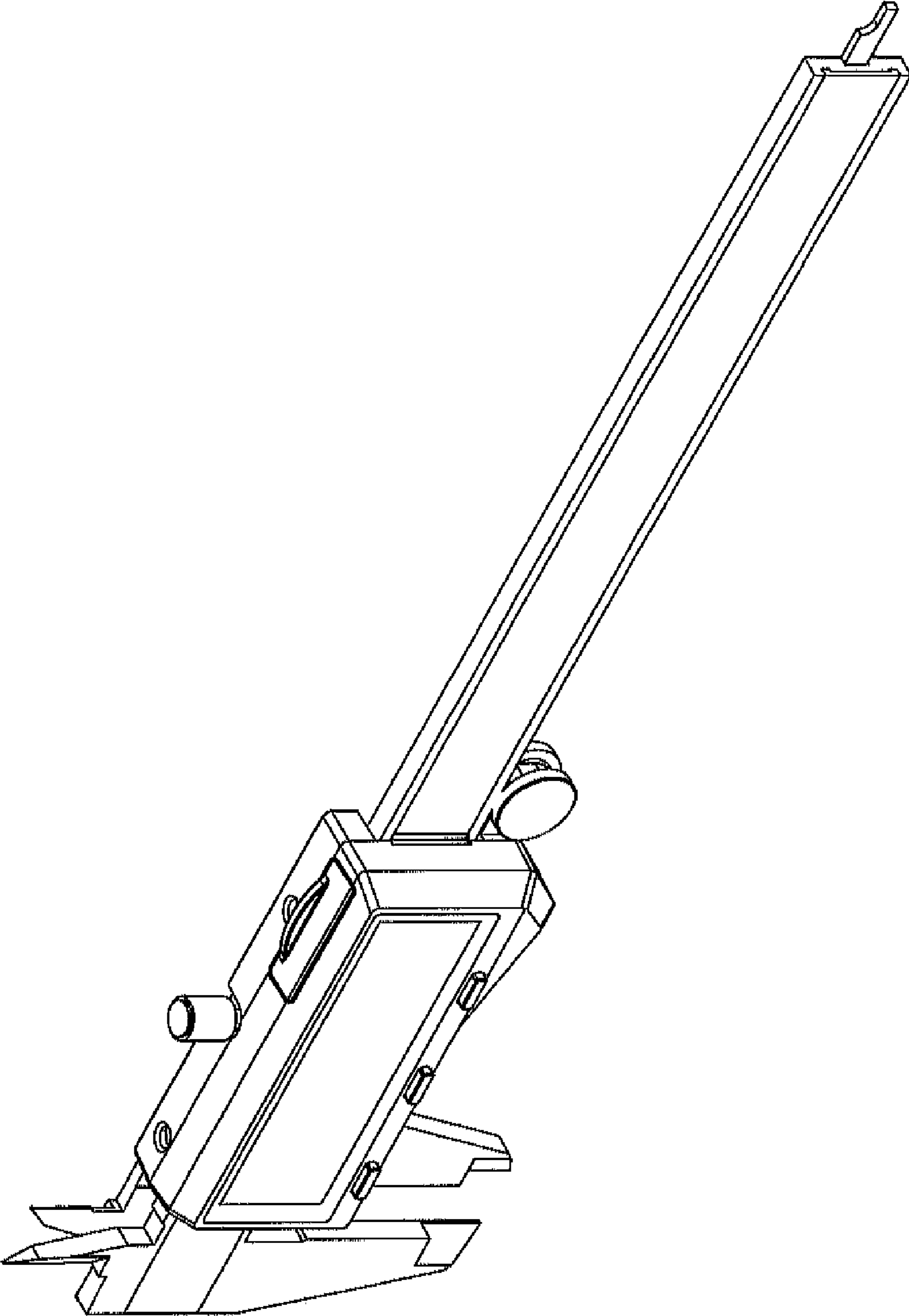
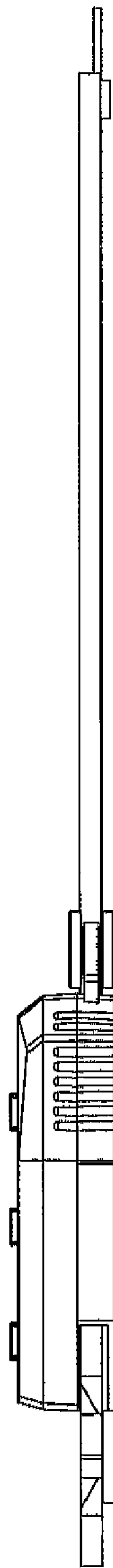
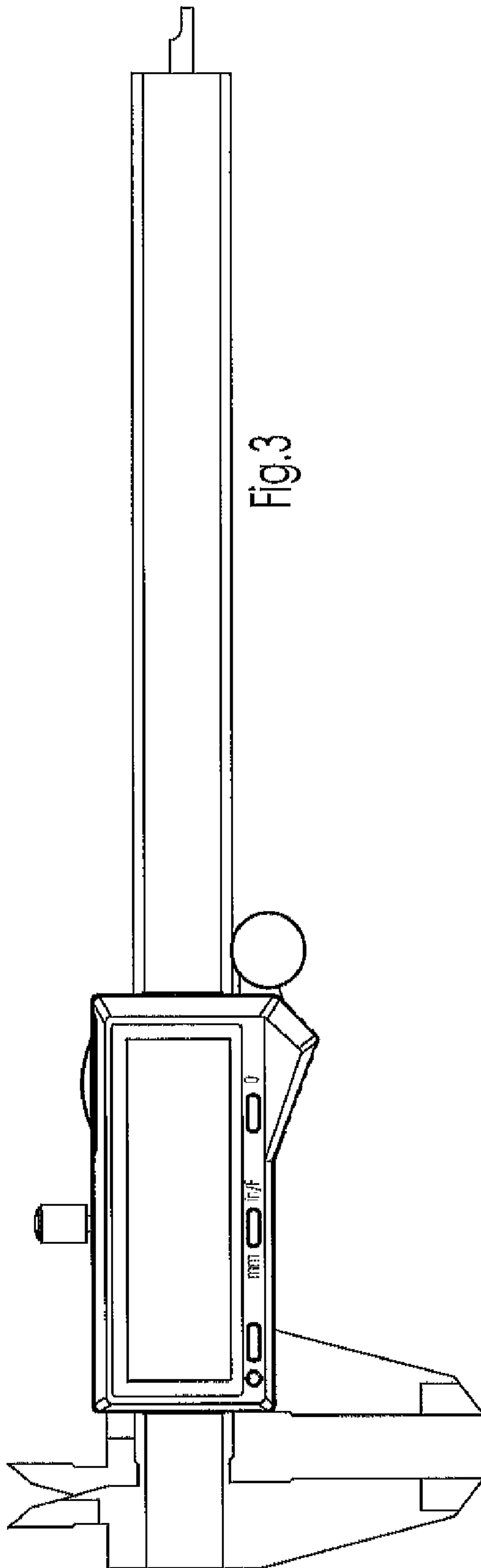


Fig.1





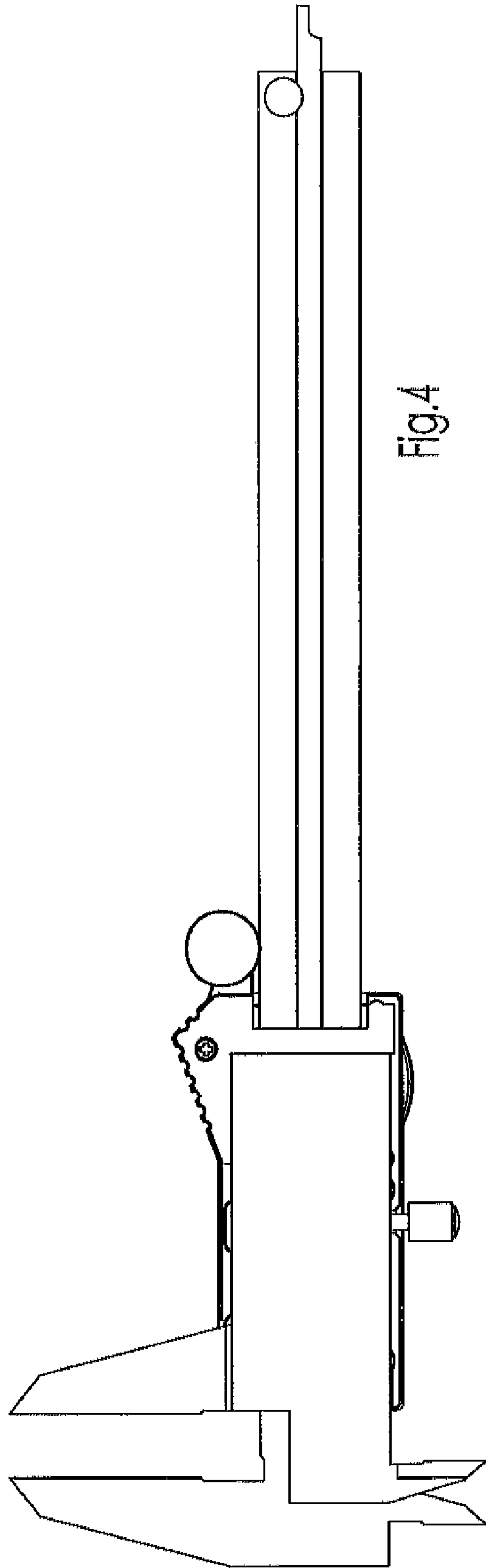


Fig. 4

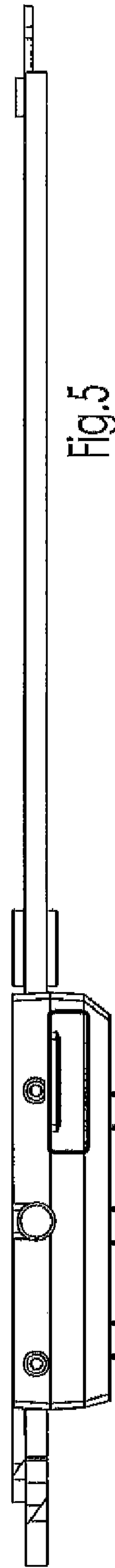


Fig. 5

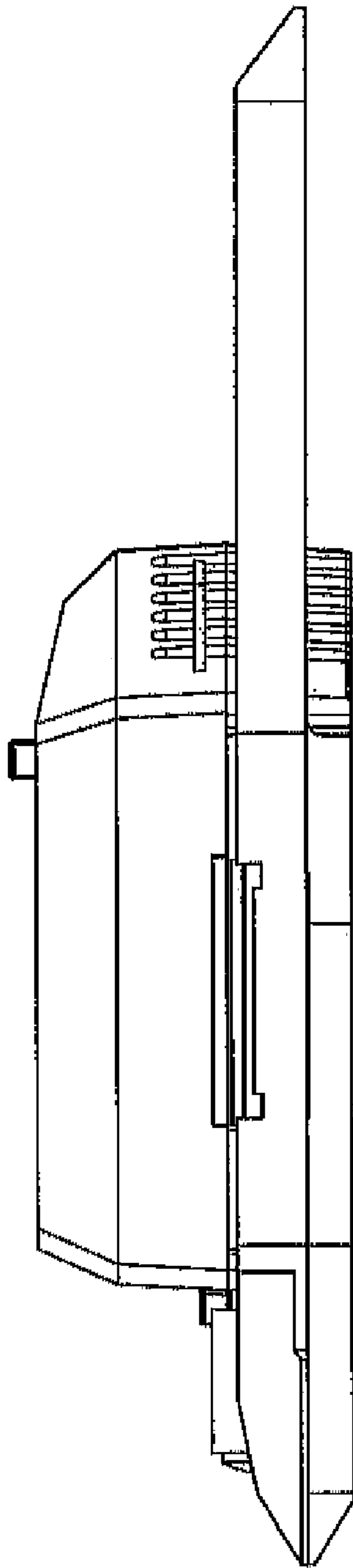


Fig. 6

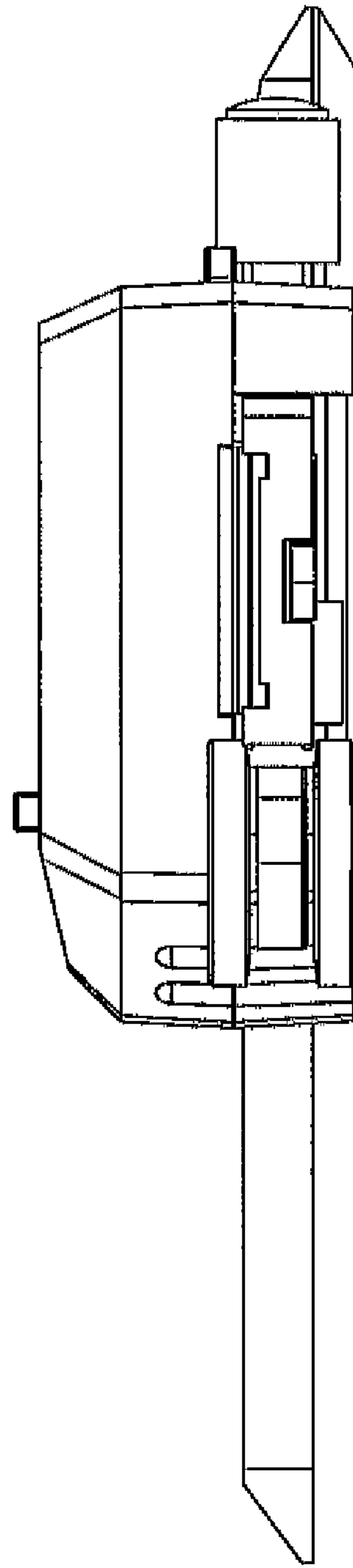


Fig. 7