



US00D662833S

(12) **United States Design Patent**
Sanfilippo et al.

(10) **Patent No.:** **US D662,833 S**

(45) **Date of Patent:** **** Jul. 3, 2012**

(54) **FLEXIBLE BAG**

(75) Inventors: **John E. Sanfilippo**, Barrington Hills, IL
(US); **Javier Soria**, West Chicago, IL
(US)

(73) Assignee: **Clear Lam Packaging, Inc.**, Elk Grove
Village, IL (US)

(**) Term: **14 Years**

(21) Appl. No.: **29/408,048**

(22) Filed: **Dec. 6, 2011**

(51) **LOC (9) Cl.** **09-05**

(52) **U.S. Cl.** **D9/707**

(58) **Field of Classification Search** D9/702-714,
D9/720-722, 416-417, 695-696; D24/118-119,
D24/207; 383/200, 207, 38, 208-209, 63,
383/61.1, 113; 229/87.06, 87.03, 87.08;
426/106, 115, 119-120, 122, 410; 222/94,
222/107, 541.1, 92, 541.2; 206/811, 229,
206/484; 219/727

See application file for complete search history.

(56) **References Cited**

U.S. PATENT DOCUMENTS

D336,034 S * 6/1993 Rebilas D9/709
D342,444 S * 12/1993 Smith D9/696

D360,824 S * 8/1995 Ossendryver D9/709
D478,276 S * 8/2003 Mobs et al. D9/707
6,789,945 B2 * 9/2004 Mobs et al. 383/37
D598,299 S * 8/2009 Isogai et al. D9/702
D634,644 S * 3/2011 Hofman D9/707
D645,761 S * 9/2011 Latour et al. D9/702

* cited by examiner

Primary Examiner — Caron D Veynar

Assistant Examiner — Abraham Bahta

(74) *Attorney, Agent, or Firm* — Cardinal Law Group

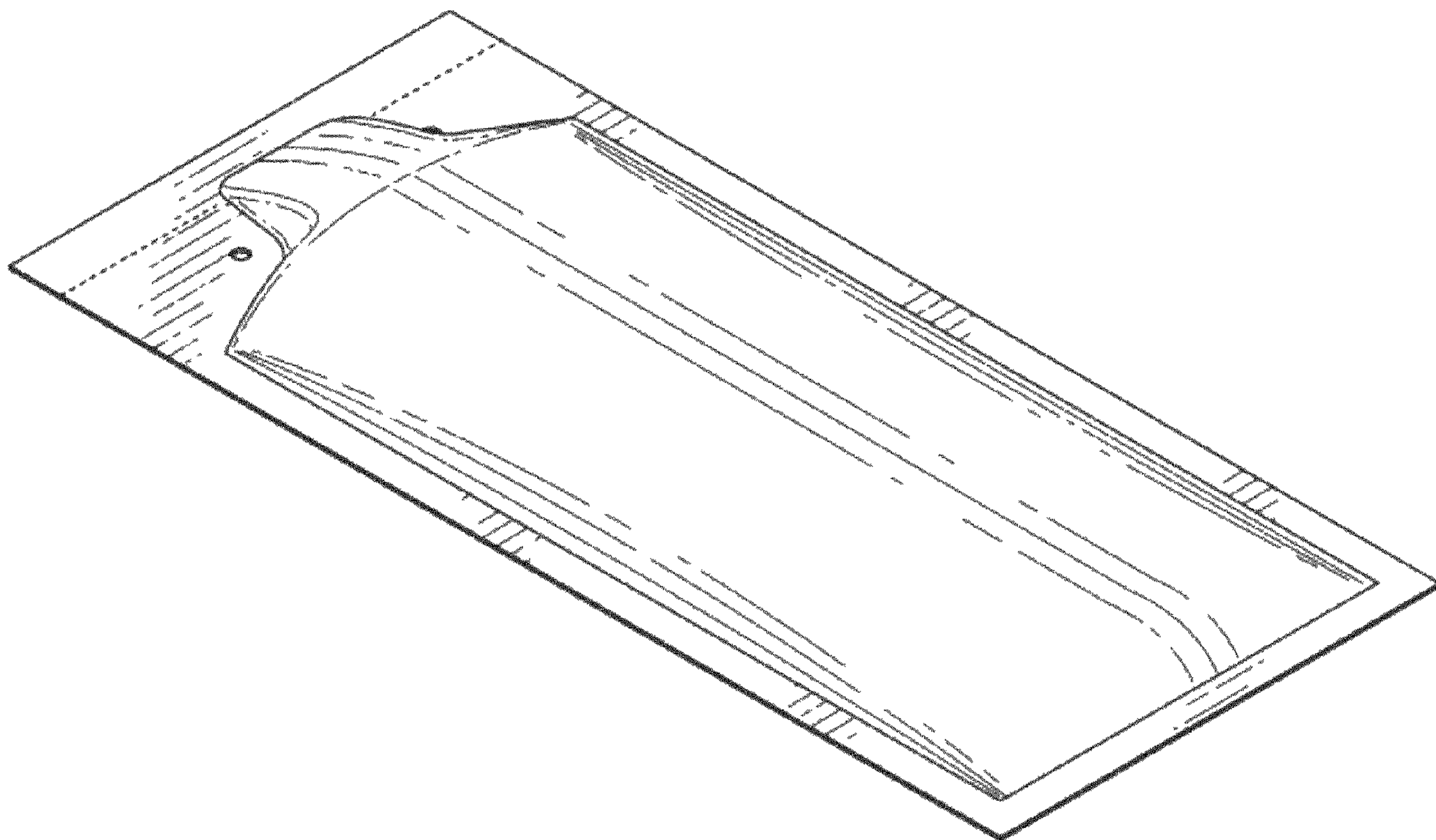
(57) **CLAIM**

The ornamental design for a flexible bag, as shown and described.

DESCRIPTION

FIG. 1 is a top perspective view of the flexible bag;
FIG. 2 is a another top perspective view of the flexible bag;
FIG. 3 is a top view of the flexible bag;
FIG. 4 is a bottom view of the flexible bag;
FIG. 5 is a left side view of the flexible bag;
FIG. 6 is a right side view of the flexible bag;
FIG. 7 is a front side view of the flexible bag; and,
FIG. 8 is a back side view of the flexible bag.
The broken lines shown in FIGS. 1-4 represent perforations that are part of the claimed design.

1 Claim, 6 Drawing Sheets



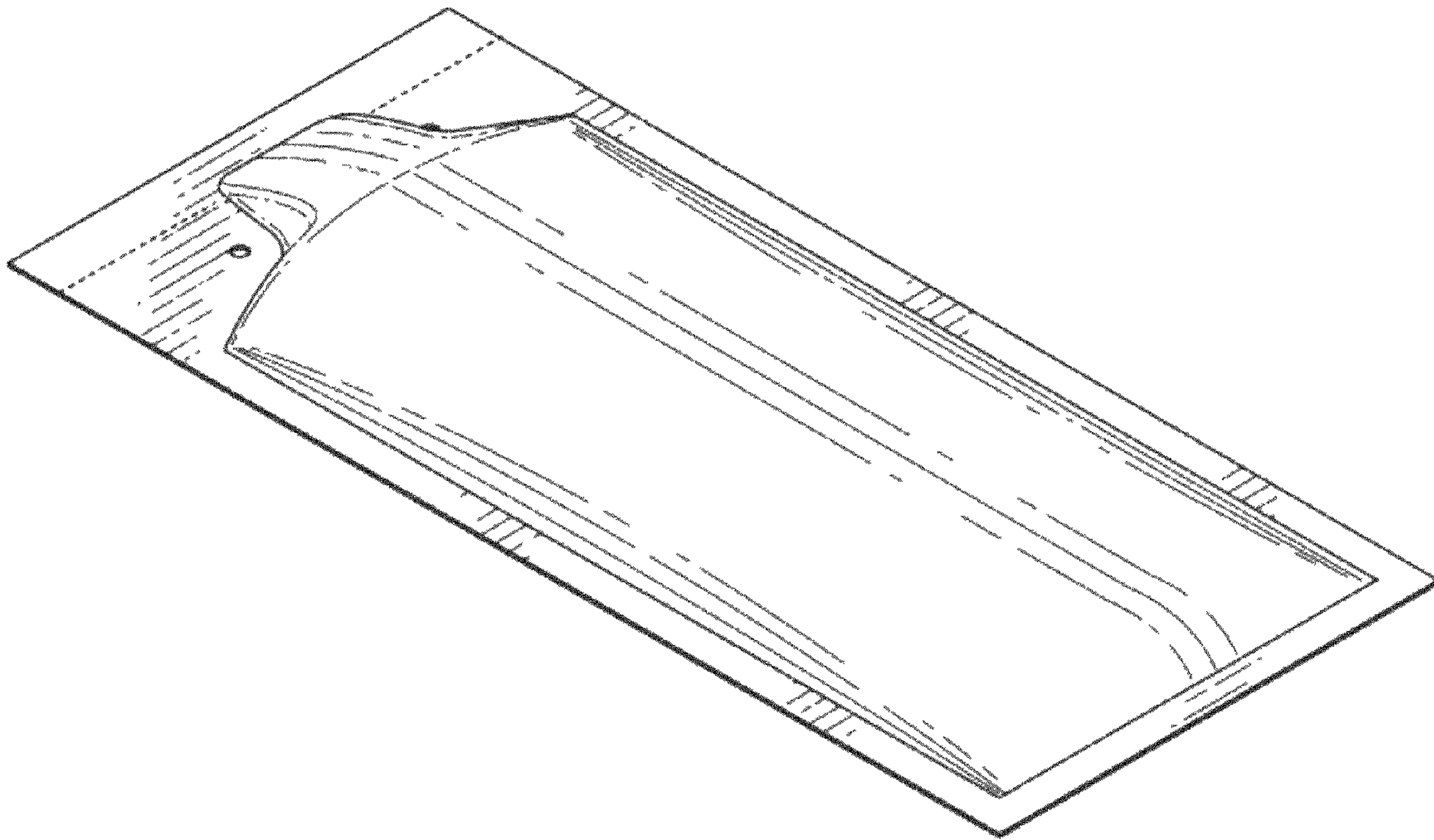


FIG. 1

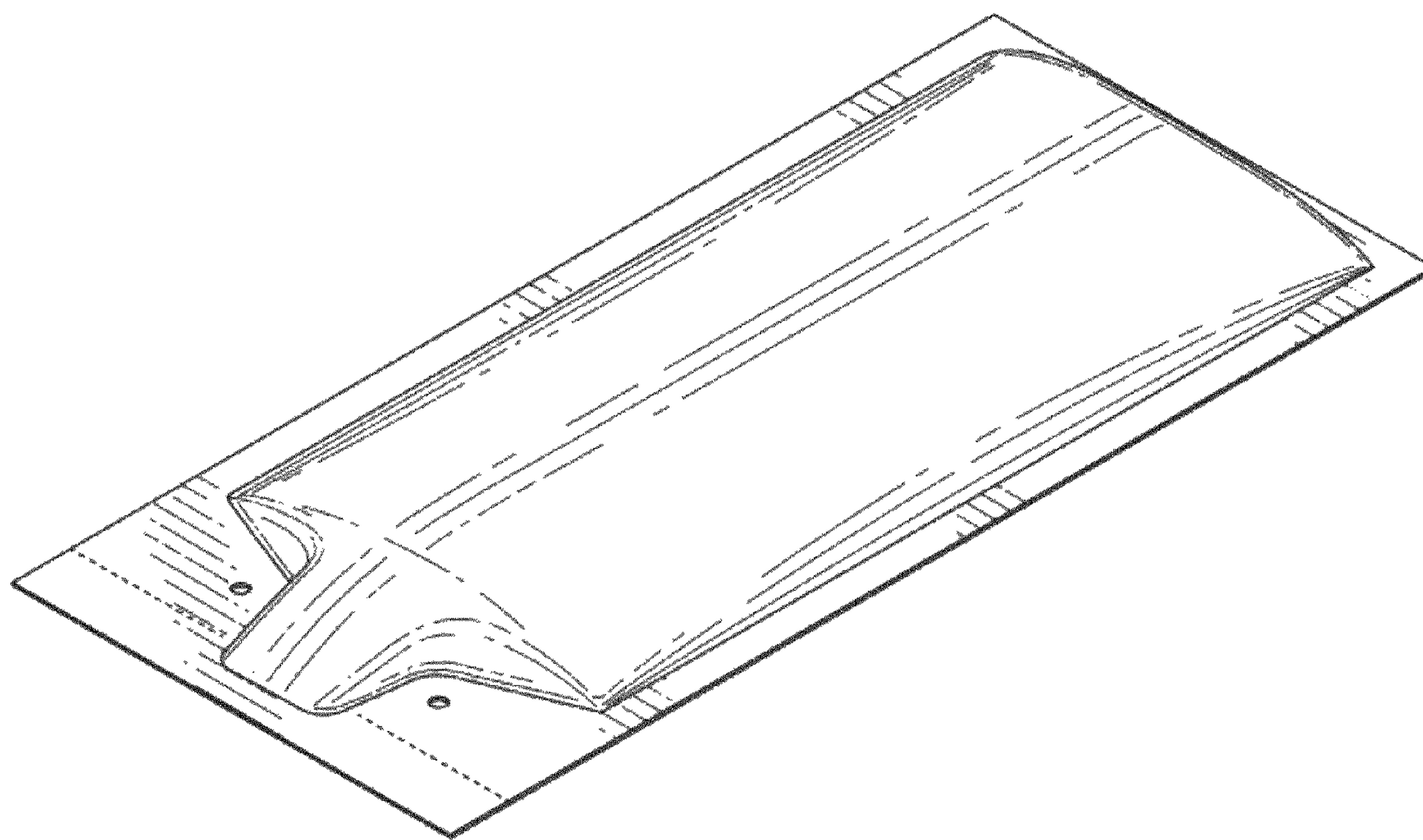


FIG. 2

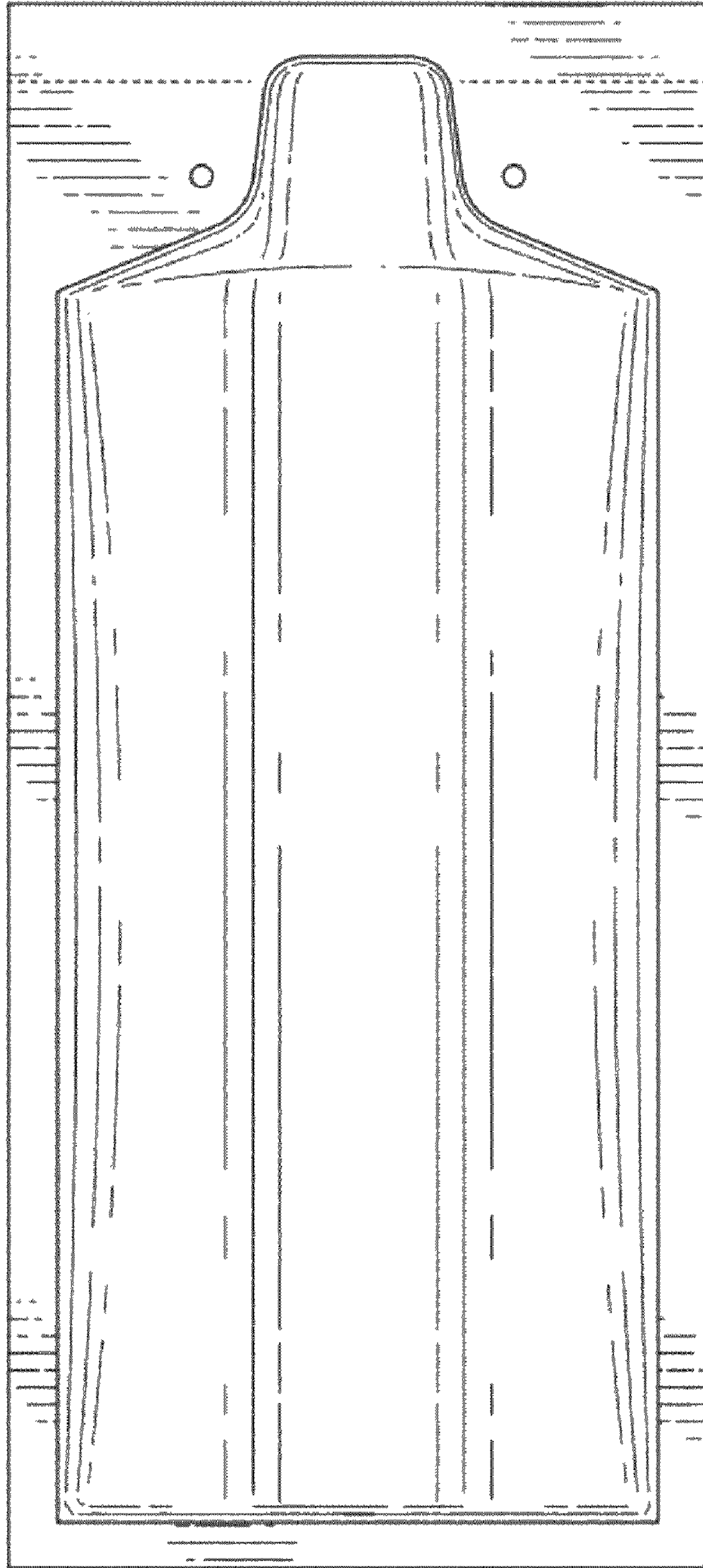


FIG. 3

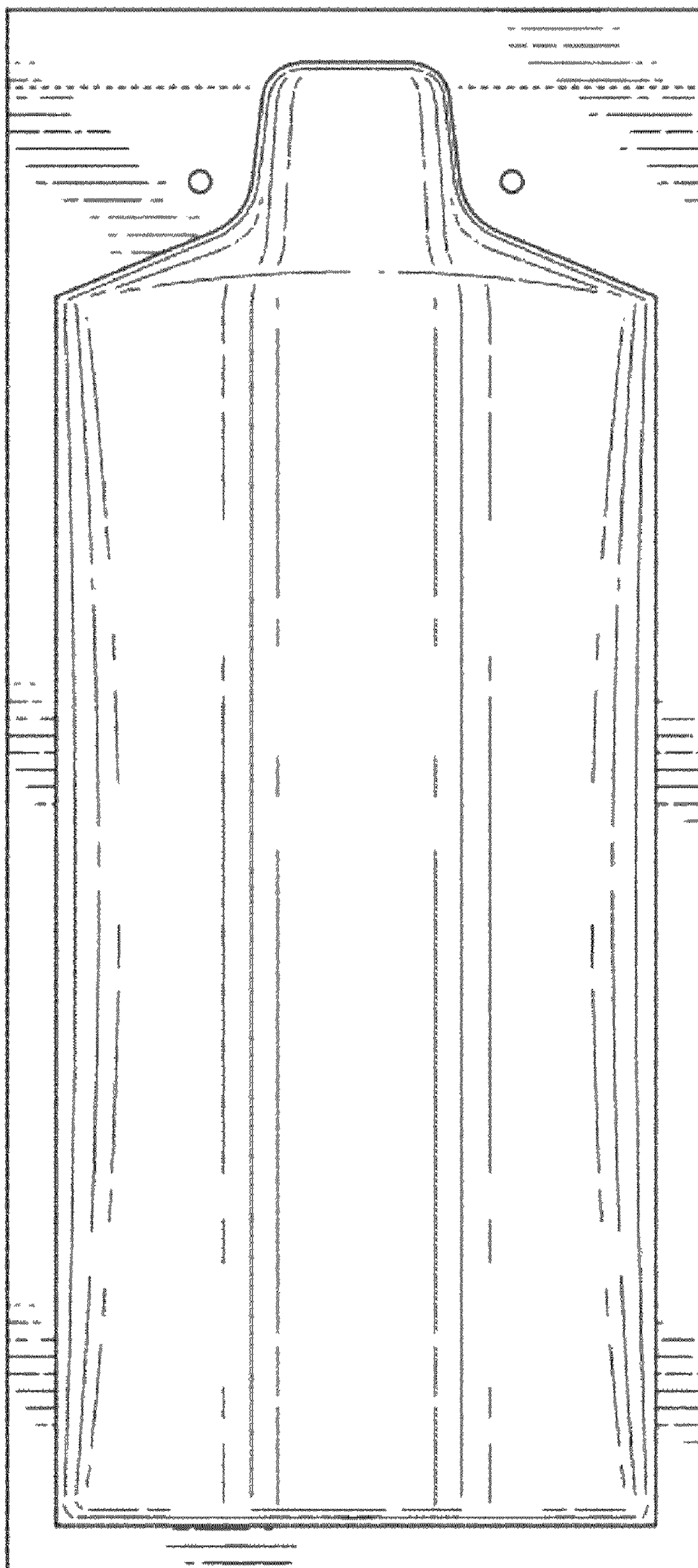


FIG. 4

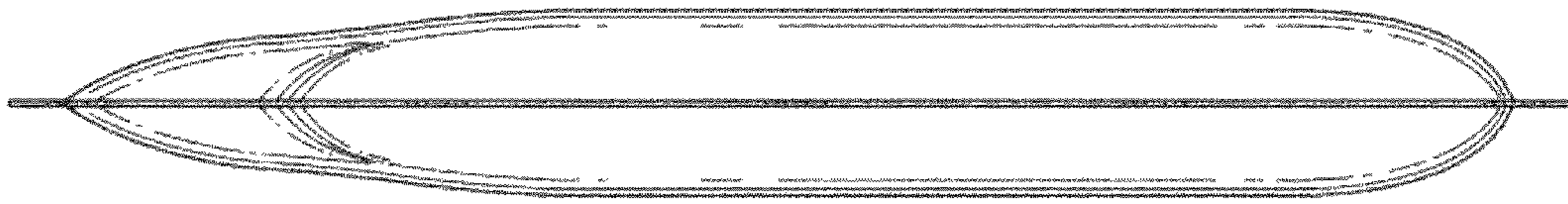


FIG. 5



FIG. 6

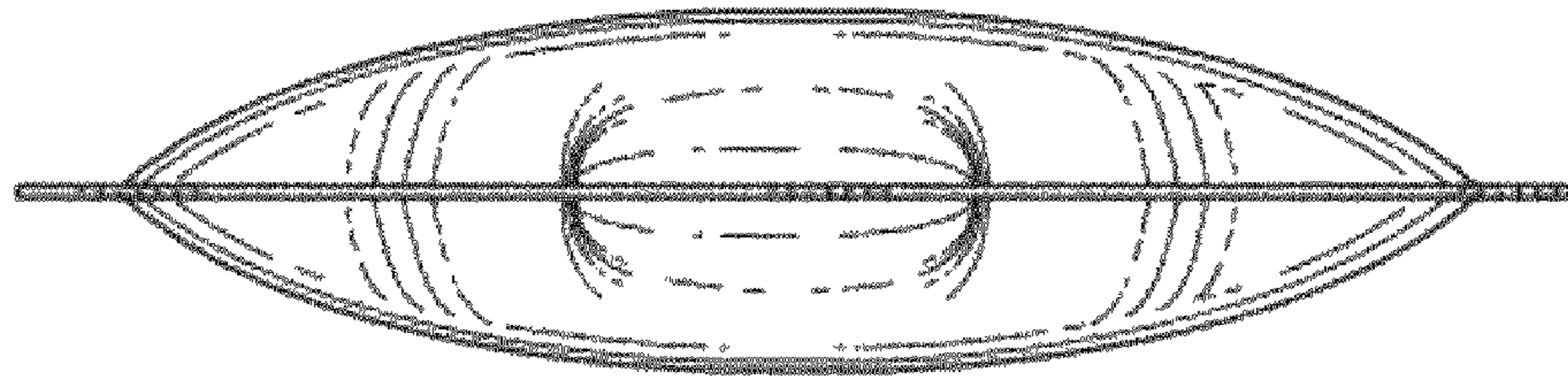


FIG. 7

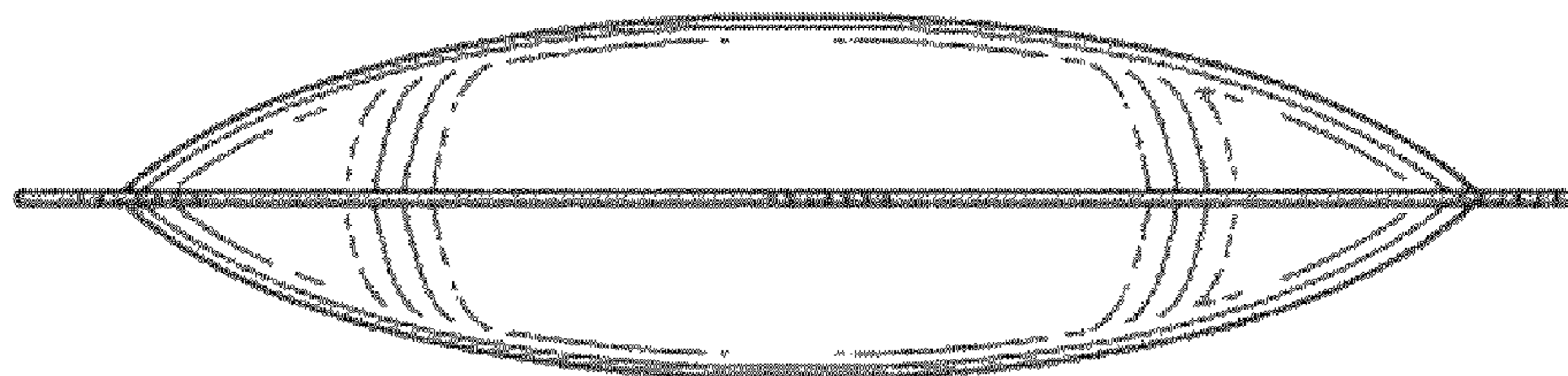


FIG. 8