

US00D662823S

(12) **United States Design Patent**
Coley, Jr. et al.

(10) **Patent No.:** **US D662,823 S**
(45) **Date of Patent:** **** Jul. 3, 2012**

(54) **BOTTLE**
(75) Inventors: **Ralph T. Coley, Jr.**, Cohasset, MA (US);
Robert Kleinrath,
Lakeville-Middleboro, MA (US);
Masaaki Sasaki, Matsudo (JP); **Takao**
Iizuka, Koto-ku (JP); **Michael T. Lane**,
Brooklyn, MI (US)

D62,784 S 7/1923 Marble
D64,125 S 12/1923 Miller
D68,732 S 11/1925 Root
3,784,040 A 1/1974 Douglas
D294,120 S 2/1988 Griesing et al.
D294,679 S 3/1988 Griesing et al.
D300,005 S 2/1989 Jacobs et al.
4,805,788 A 2/1989 Akiho
4,850,493 A 7/1989 Howard, Jr.
D308,482 S 6/1990 Wild

(73) Assignee: **Ocean Spray Cranberries, Inc.**,
Lakeville-Middleboro, MA (US)

(Continued)

(**) Term: **14 Years**

JP 565158 3/1993

FOREIGN PATENT DOCUMENTS

(Continued)

(21) Appl. No.: **29/371,771**

(22) Filed: **Sep. 12, 2011**

OTHER PUBLICATIONS

Coley, Jr. et al., U.S. Appl. No. 29/371,511, filed Mar. 31, 2011.

(Continued)

Related U.S. Application Data

(60) Continuation of application No. 29/371,511, filed on
Mar. 31, 2011, now Pat. No. Des. 645,753, which is a
division of application No. 29/347,675, filed on Apr. 8,
2010, now Pat. No. Des. 637,494, which is a division of
application No. 29/311,815, filed on Jun. 30, 2009,
now Pat. No. Des. 648,219.

Primary Examiner — Elizabeth J Oswecki

(74) *Attorney, Agent, or Firm* — Nixon & Vanderhye P.C.

(51) **LOC (9) Cl.** **09-01**

(52) **U.S. Cl.** **D9/516**

(58) **Field of Classification Search** D9/516,
D9/530, 541, 542, 543, 559, 560, 563, 564,
D9/565, 566, 569, 570, 571, 574, 575, 434;
215/379, 381–385; 220/600, 602, 608, 660,
220/662, 669, 675

See application file for complete search history.

(57)

CLAIM

The ornamental design for a bottle, as shown and described.

DESCRIPTION

FIG. 1 is a front view of a bottle according to my/our design,
with the rear view being identical (with the exception of the
phantom-line threaded portion on the neck);

FIG. 2 is a left side view thereof, with the right side view
thereof being identical (with the exception of the phantom-
line threaded portion on the neck); and,
FIG. 3 is a top view thereof.

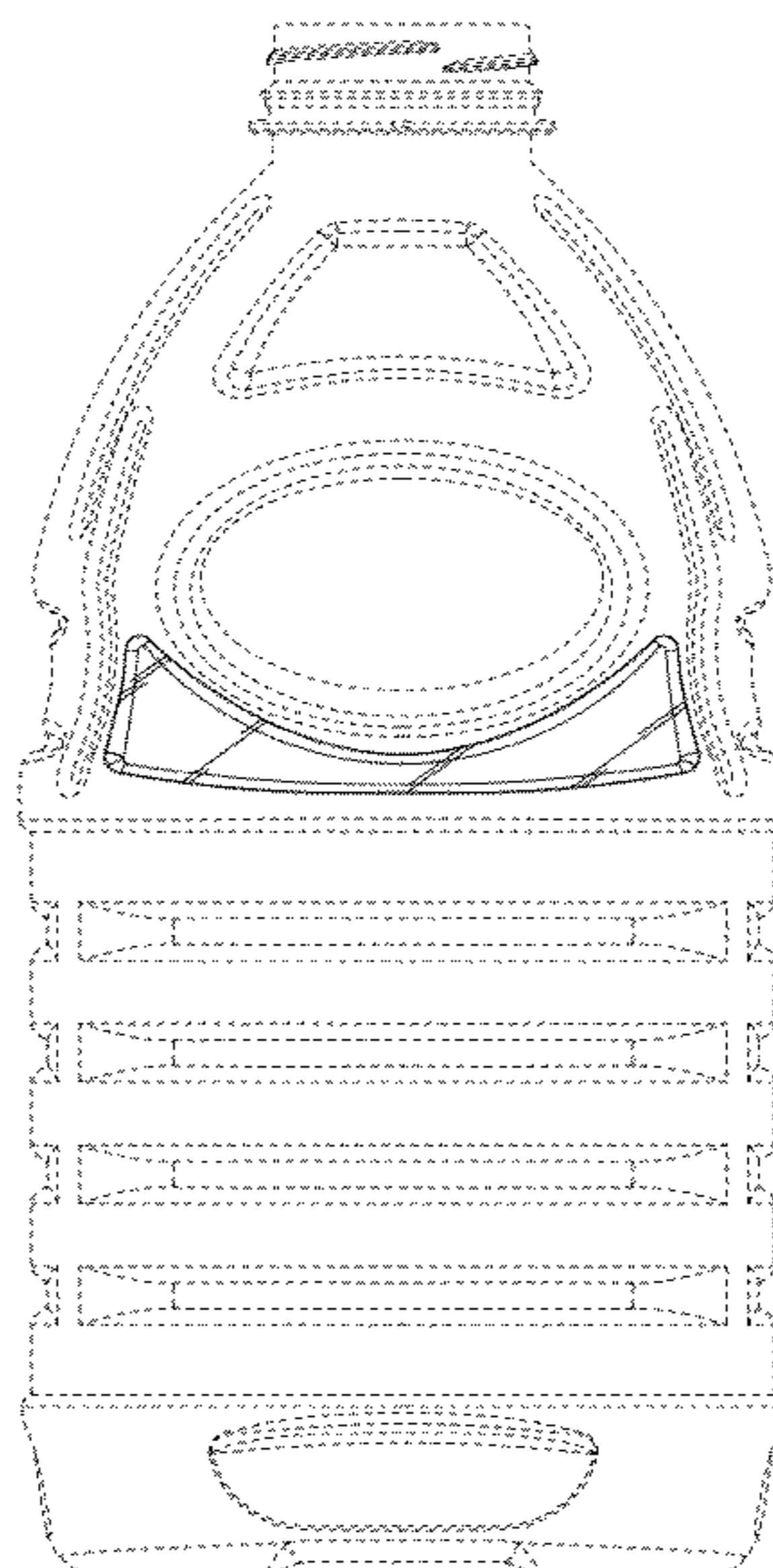
Where included, broken lines showing environment or struc-
ture are for illustrative purposes only and form no part of the
claimed design.

(56) **References Cited**

U.S. PATENT DOCUMENTS

D22,058 S 12/1892 Rockwood
D58,077 S 6/1921 Eckl

1 Claim, 3 Drawing Sheets



US D662,823 S

U.S. PATENT DOCUMENTS			FOREIGN PATENT DOCUMENTS		
4,949,861	A	8/1990 Cochran	D543,460	S *	5/2007 Perry et al. D9/516
D315,678	S	3/1991 Darr	D547,670	S	7/2007 Heisner
5,067,622	A	11/1991 Garver et al.	D548,599	S	8/2007 Blasko
5,158,817	A	10/1992 Krishnakumar	D553,988	S *	10/2007 Perry et al. D9/516
5,217,128	A	6/1993 Stenger et al.	D559,685	S *	1/2008 Riddick et al. D9/516
5,222,615	A	6/1993 Ota et al.	D560,496	S	1/2008 Heisner
5,238,129	A	8/1993 Ota	D561,038	S	2/2008 Yourist et al.
5,246,122	A	9/1993 Schick et al.	D564,359	S	3/2008 Trollope et al.
5,269,437	A	12/1993 Gygax	D564,890	S	3/2008 Coley et al.
D346,556	S	5/1994 Sirico et al.	D565,962	S	4/2008 Sasaki et al.
D347,391	S	5/1994 Guertin	D568,159	S	5/2008 Bellevigne
5,337,909	A	8/1994 Vaillencourt	D568,167	S	5/2008 Sasaki et al.
D354,000	S	1/1995 Hoyt	D568,169	S	5/2008 Sasaki et al.
5,593,056	A	1/1997 Mero et al.	D569,257	S	5/2008 Yourist et al.
D388,330	S	12/1997 Zimmer	D570,219	S	6/2008 Blasko
5,713,480	A	2/1998 Petre et al.	D570,693	S	6/2008 Venkatarman et al.
D392,188	S	3/1998 Darr et al.	D570,694	S	6/2008 Venkatarman et al.
5,732,838	A	3/1998 Young	D574,715	S	8/2008 Sasaki et al.
5,735,421	A	4/1998 Deemer et al.	D576,493	S	9/2008 Coley et al.
5,758,790	A	6/1998 Ewing, Jr.	D576,882	S *	9/2008 Meeker et al. D9/516
5,762,221	A	6/1998 Tobias et al.	D577,594	S	9/2008 Sasaki et al.
5,833,115	A	11/1998 Eiten	D578,400	S	10/2008 Sasaki et al.
5,848,516	A	12/1998 Ban	D580,268	S *	11/2008 Roman et al. D9/516
5,908,127	A	6/1999 Weick et al.	7,455,189	B2 *	11/2008 Lane et al. 215/381
5,971,184	A	10/1999 Krishnakumar et al.	D582,284	S	12/2008 Ogg
5,988,417	A	11/1999 Cheng et al.	D586,215	S *	2/2009 Gonzalez et al. D9/516
6,016,932	A	1/2000 Gaydosh et al.	D586,664	S	2/2009 Darr et al.
6,029,837	A	2/2000 Slat et al.	D589,803	S	4/2009 Sasaki et al.
D421,721	S	3/2000 Guertin	D591,156	S	4/2009 George et al.
6,095,360	A	8/2000 Shmagin et al.	D593,417	S	6/2009 Miller et al.
6,112,925	A	9/2000 Nahill et al.	D597,849	S	8/2009 Aoyagi et al.
6,149,024	A	11/2000 Deemer et al.	D598,774	S	8/2009 Schlies et al.
6,161,713	A	12/2000 Krich	D598,782	S	8/2009 Sasaki et al.
6,213,326	B1	4/2001 Denner et al.	D599,657	S *	9/2009 Bruno et al. D9/434
6,264,053	B1	7/2001 Slat	D600,134	S	9/2009 Black
D451,032	S	11/2001 Iizuka et al.	D601,426	S	10/2009 Darr et al.
D452,444	S	12/2001 Iizuka et al.	D602,782	S	10/2009 Lepoitevin
D454,069	S	3/2002 Guislain	7,631,775	B2	12/2009 Heisner et al.
D454,072	S	3/2002 Harrity et al.	D607,730	S	1/2010 Lepoitevin
D459,234	S	6/2002 Bourque et al.	D610,010	S *	2/2010 Schwartz et al. D9/516
6,467,639	B2	10/2002 Mooney	D610,461	S	2/2010 Billig et al.
6,569,376	B2	5/2003 Wurster et al.	D611,347	S	3/2010 Dodge et al.
6,575,321	B2 *	6/2003 Bourque et al. 215/384	D611,820	S	3/2010 Dodge et al.
D481,318	S	10/2003 Iizuka et al.	D612,234	S *	3/2010 Westemeyer D9/434
6,637,612	B2	10/2003 Maczek	D612,253	S	3/2010 Shimamoto et al.
6,662,961	B2	12/2003 Yourist	D615,407	S	5/2010 Shimamoto et al.
6,666,001	B2	12/2003 Mero	D618,549	S	6/2010 Boiros et al.
6,672,468	B1	1/2004 Mount et al.	D623,952	S	9/2010 Yourist et al.
6,672,470	B2	1/2004 Wurster et al.	7,857,157	B2	12/2010 Lane et al.
6,749,075	B2 *	6/2004 Bourque et al. 215/384	D631,363	S *	1/2011 Herstol et al. D9/557
6,752,284	B1	6/2004 Akiyama et al.	7,882,971	B2 *	2/2011 Kelley et al. 215/373
6,830,158	B2 *	12/2004 Yourist 215/381	D637,493	S *	5/2011 Furlong et al. D9/516
D503,627	S	4/2005 Johnston et al.	D637,494	S	5/2011 Coley, Jr. et al.
D507,746	S	7/2005 Sasaki et al.	D644,121	S *	8/2011 Kight et al. D9/707
6,913,405	B2	7/2005 Fischer et al.	D644,122	S *	8/2011 Kight et al. D9/707
6,926,163	B2	8/2005 Darr et al.	D645,753	S *	9/2011 Coley et al. D9/516
6,974,047	B2 *	12/2005 Kelley et al. 215/381	2001/0037992	A1	11/2001 Tanabe et al.
6,981,604	B2	1/2006 Iizuka et al.	2003/0116526	A1	6/2003 Mehanna
6,997,336	B2	2/2006 Yourist et al.	2003/0136754	A1	7/2003 Bourque et al.
6,998,091	B2	2/2006 Iizuka et al.	2003/0161980	A1	8/2003 Nelson
7,004,342	B2	2/2006 Bourque et al.	2003/0205550	A1	11/2003 Prevot et al.
7,017,763	B2	3/2006 Kelley	2004/0129669	A1	7/2004 Kelley et al.
7,055,711	B2	6/2006 Sasaki et al.	2004/0164046	A1	8/2004 Kelley
7,059,486	B2	6/2006 Van Der Heijden et al.	2004/0164047	A1	8/2004 White
7,066,345	B2	6/2006 Itokawa et al.	2005/0211660	A1	9/2005 Galownia et al.
D525,527	S	7/2006 Ogg	2005/0211661	A1	9/2005 Galownia et al.
D525,528	S	7/2006 Lane et al.	2005/0218107	A1	10/2005 Sabold et al.
D526,198	S	8/2006 Sasaki et al.	2006/0091102	A1	5/2006 Bourque et al.
D527,266	S	8/2006 Yourist et al.	2006/0151425	A1	7/2006 Kelley et al.
7,097,061	B2	8/2006 Simpson, Jr. et al.	2006/0175283	A1	8/2006 Piccioli et al.
D528,004	S *	9/2006 Ratzlaff D9/516	2006/0207962	A1	9/2006 Coley et al.
D528,421	S	9/2006 Sasaki et al.	2007/0039918	A1	2/2007 Lane et al.
D528,427	S	9/2006 Sasaki et al.	2007/0045222	A1	3/2007 Denner et al.
D533,782	S	12/2006 Ogg et al.	2007/0095785	A1	5/2007 Ishikawa et al.
D533,786	S	12/2006 Ogg et al.	2007/0170144	A1	7/2007 Lane et al.
D540,680	S *	4/2007 Perry et al. D9/516	2007/0187354	A1	8/2007 Sasaki
D541,657	S *	5/2007 Mongeon et D9/516			
D543,112	S *	5/2007 Bridgman et al. D9/516			

OTHER PUBLICATIONS

Coley, Jr. et al., U.S. Appl. No. 29/311,815, filed Jun. 30, 2009.
Coley, Jr., U.S. Appl. No. 29/311,818, filed Jun. 30, 2009.
Coley, Jr., U.S. Appl. No. 12/458,114, filed Jun. 30, 2009.
Iizuka et al., U.S. Appl. No. 60/144,243, filed Jul. 19, 1999.

Screen Shot A from advertisement airing Mar. 3, 2008.
Screen Shot B from advertisement airing Mar. 3, 2008.
Screen Shot C from advertisement airing Mar. 23, 2009.
Screen Shot D from advertisement airing Jan. 12, 2009.

* cited by examiner

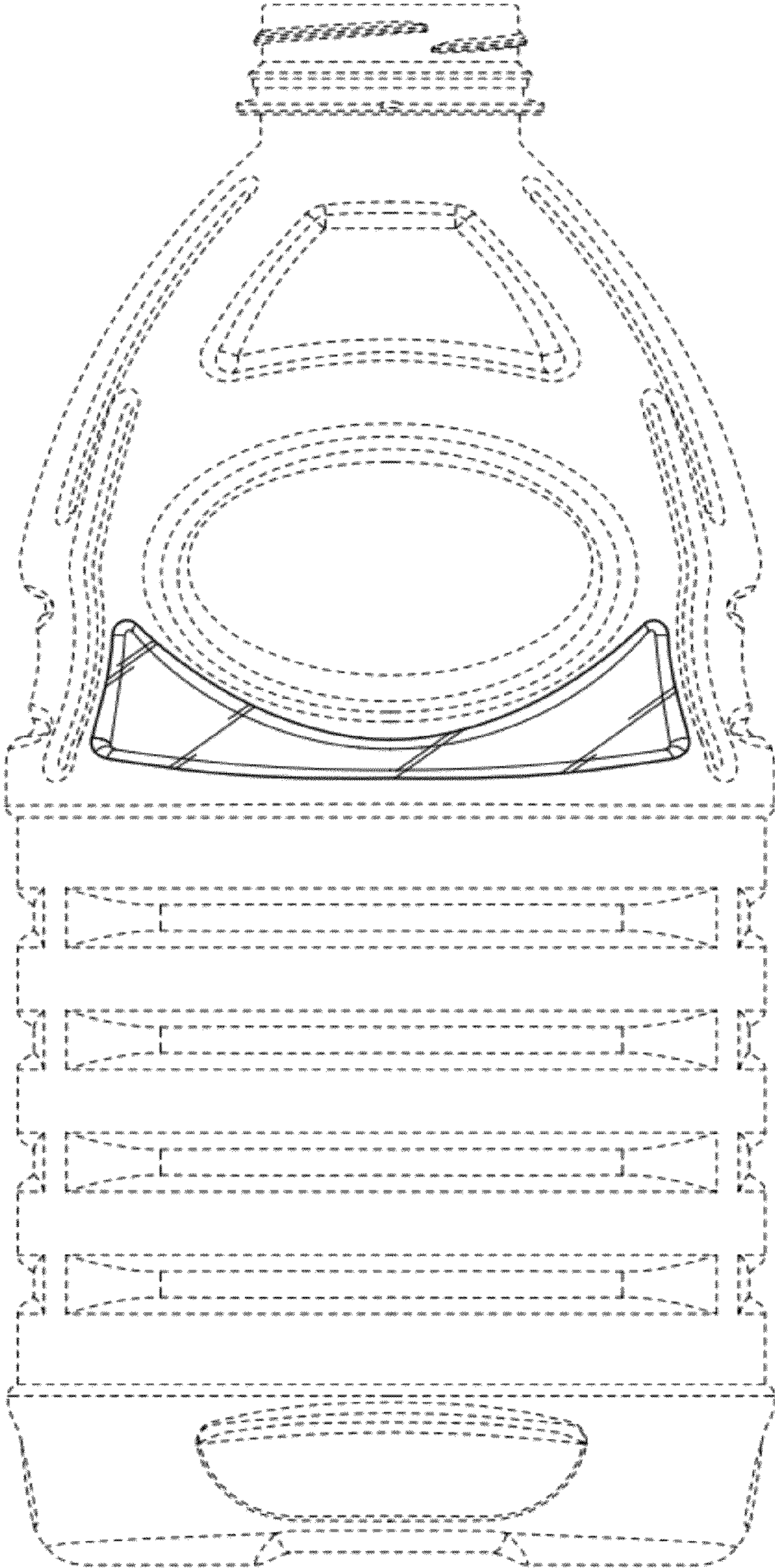


FIG. 1

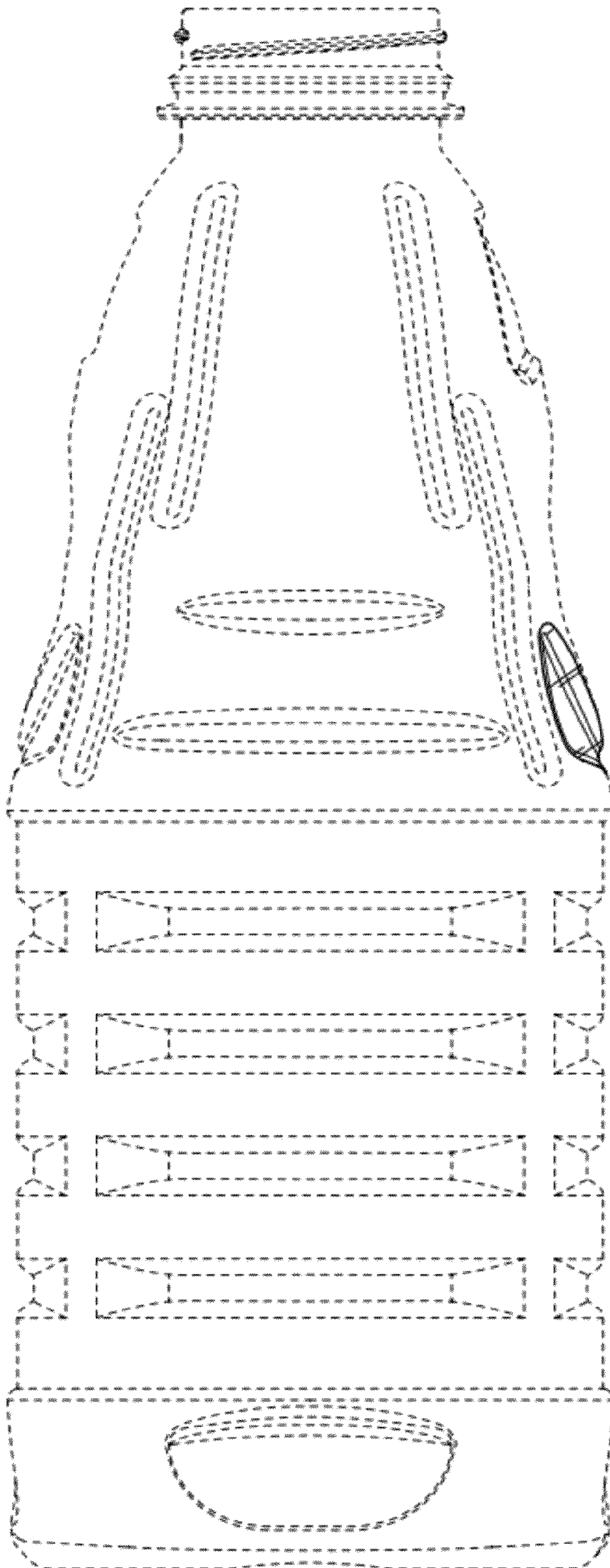


FIG. 2

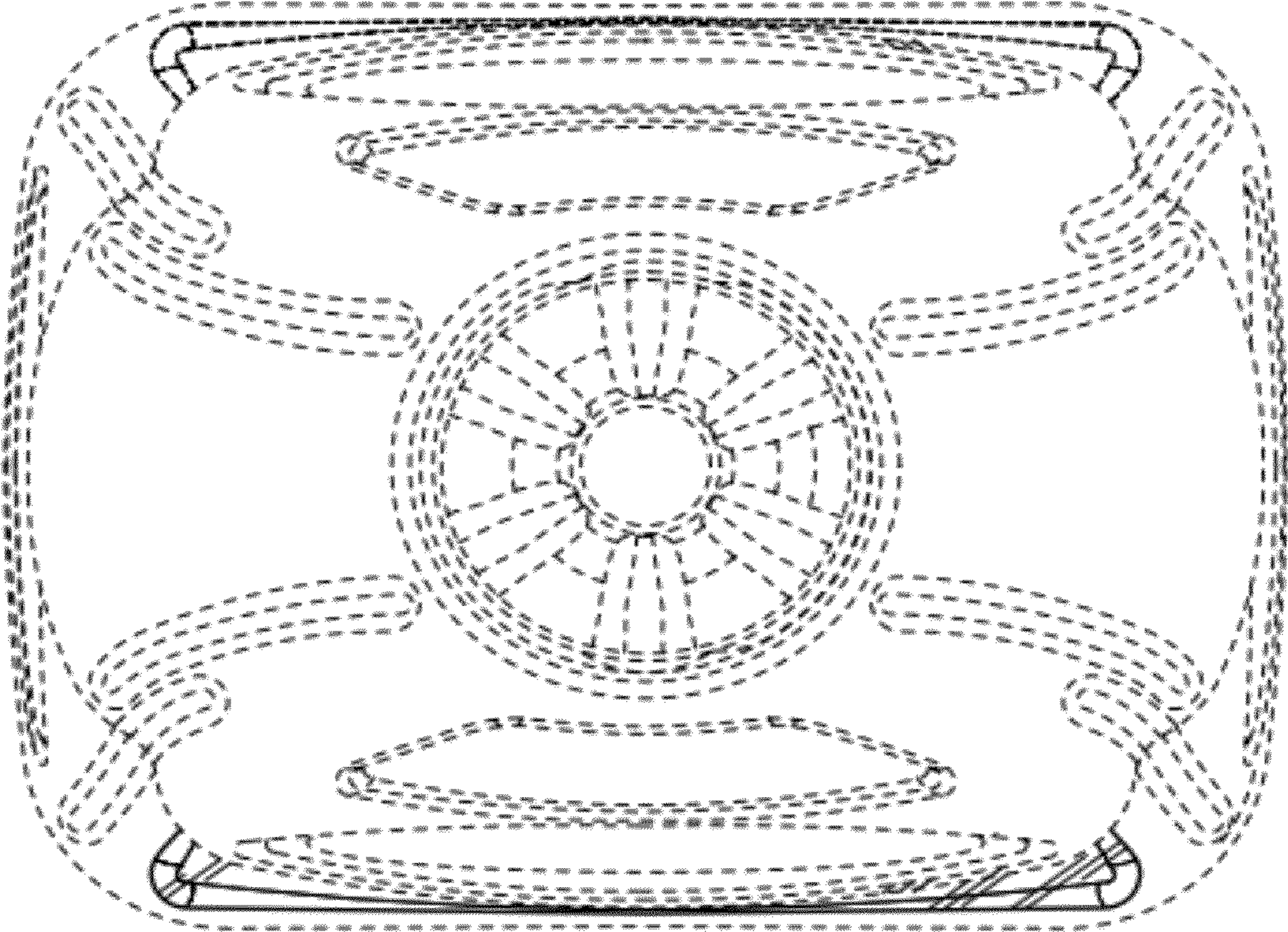


FIG. 3