

US00D662822S

(12) **United States Design Patent**
Morais et al.

(10) **Patent No.:** **US D662,822 S**
(45) **Date of Patent:** **** Jul. 3, 2012**

(54) **POT**

(75) Inventors: **Gabriela Dellia Bueno de Morais**, São Paulo (BR); **Marcio Miranda de Faria**, Vinhedo (BR); **Keila Bueno Ramos Pastrello**, São Paulo (BR); **Fabiana Tomás Pellicciari**, Sao Paulo (BR); **Frederico Gelli**, Rio de Janeiro (BR); **Érika Martins Freitas de Andrade**, Rio de Janeiro (BR); **Rodrigo Maia Gonçalves**, Niterói (BR)

(73) Assignee: **Natura Cosméticos S.A.**, Itapeverica da Serra SP (BR)

(**) Term: **14 Years**

(21) Appl. No.: **29/362,687**

(22) Filed: **May 28, 2010**

(30) **Foreign Application Priority Data**

Nov. 30, 2009 (BR) DI6904476-7

(51) **LOC (9) Cl.** **09-01**

(52) **U.S. Cl.** **D9/504**

(58) **Field of Classification Search** D9/500, D9/502-505, 516, 537, 539, 544-545, 549, D9/551, 558, 574-575, 444-445, 454, 682, D9/686, 688-693; D28/4, 8, 76, 78, 82; 215/379, 382-384; 220/660, 662, 669, 675
See application file for complete search history.

(56) **References Cited**

U.S. PATENT DOCUMENTS

D26,314 S *	11/1896	Miller	D9/504
D218,399 S *	8/1970	Campbell et al.	D9/504
D256,334 S *	8/1980	Stahel, II	D9/504
D256,778 S *	9/1980	Stahel, II	D9/504
D306,826 S *	3/1990	Bormioli	D9/504
D316,961 S *	5/1991	Hoening	D9/504
D353,521 S *	12/1994	Booten	D7/629
D391,162 S *	2/1998	Kokenge	D9/504
D446,456 S *	8/2001	Adachi et al.	D9/529

* cited by examiner

Primary Examiner — Ian Simmons

Assistant Examiner — Dana L Sipos

(74) *Attorney, Agent, or Firm* — B. Aaron Schulman, Esq.; Stites & Harbison PLLC

(57) **CLAIM**

The ornamental design for a pot, as shown and described.

DESCRIPTION

FIG. 1 is a perspective top view showing the new design for the pot.

FIG. 2 is a front view thereof.

FIG. 3 is a top view thereof.

FIG. 4 is a bottom view thereof.

FIG. 5 is a perspective top view showing an alternative embodiment of the new design for the pot.

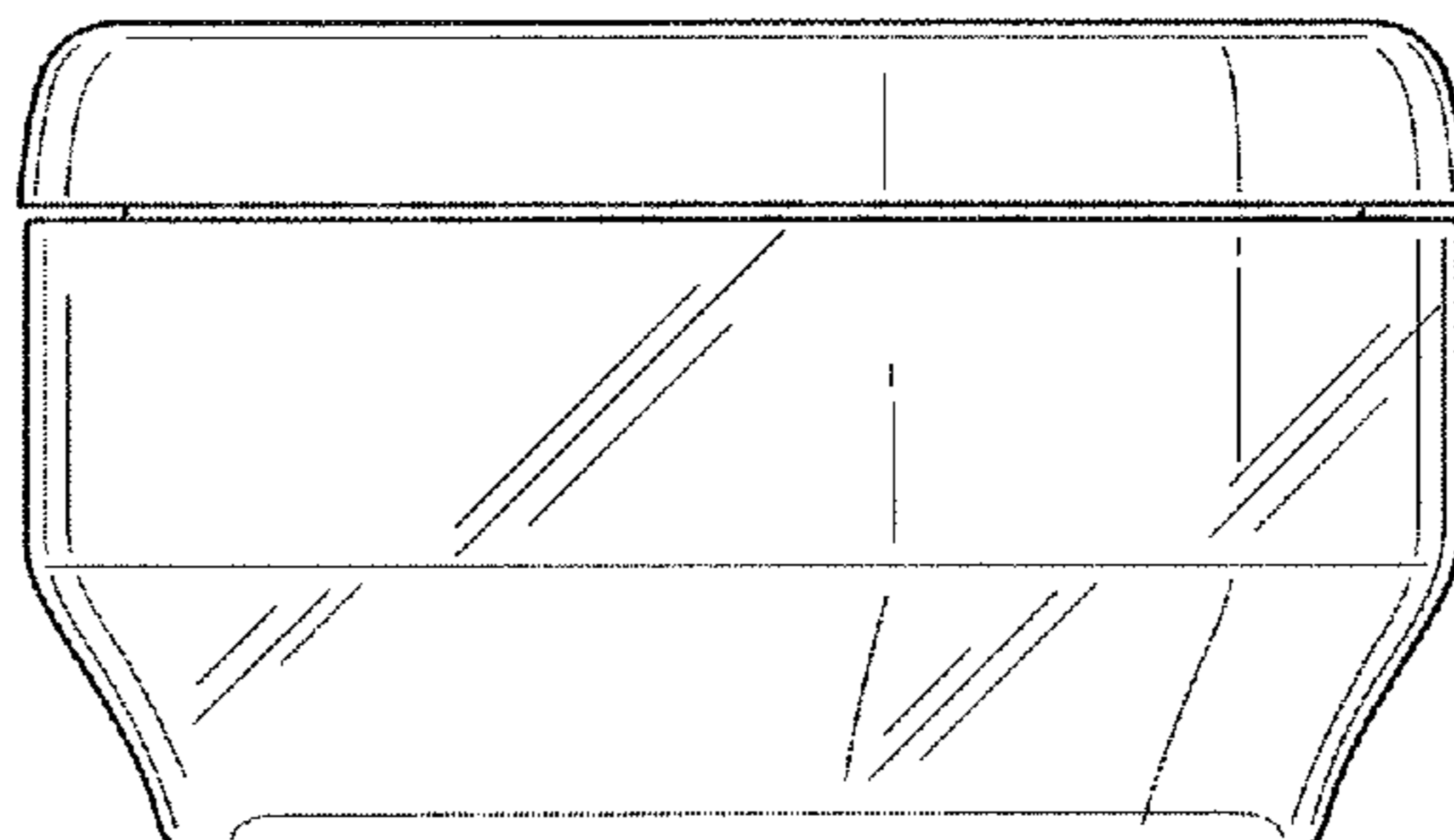
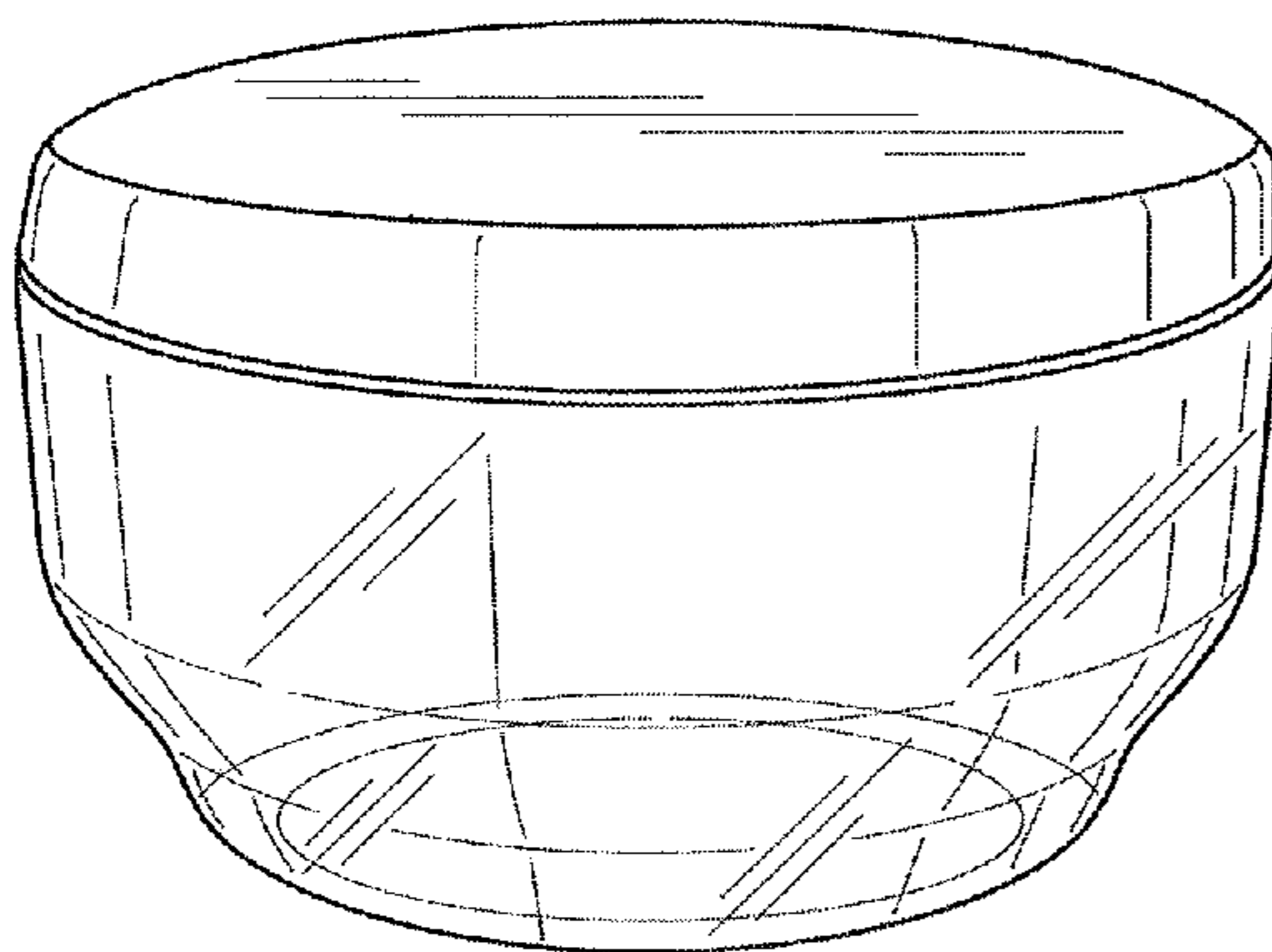
FIG. 6 is a front view thereof.

FIG. 7 is a top view thereof; and,

FIG. 8 is a bottom view thereof.

The broken lines in the drawings illustrate the portions of the design that form no part of the claim.

1 Claim, 4 Drawing Sheets



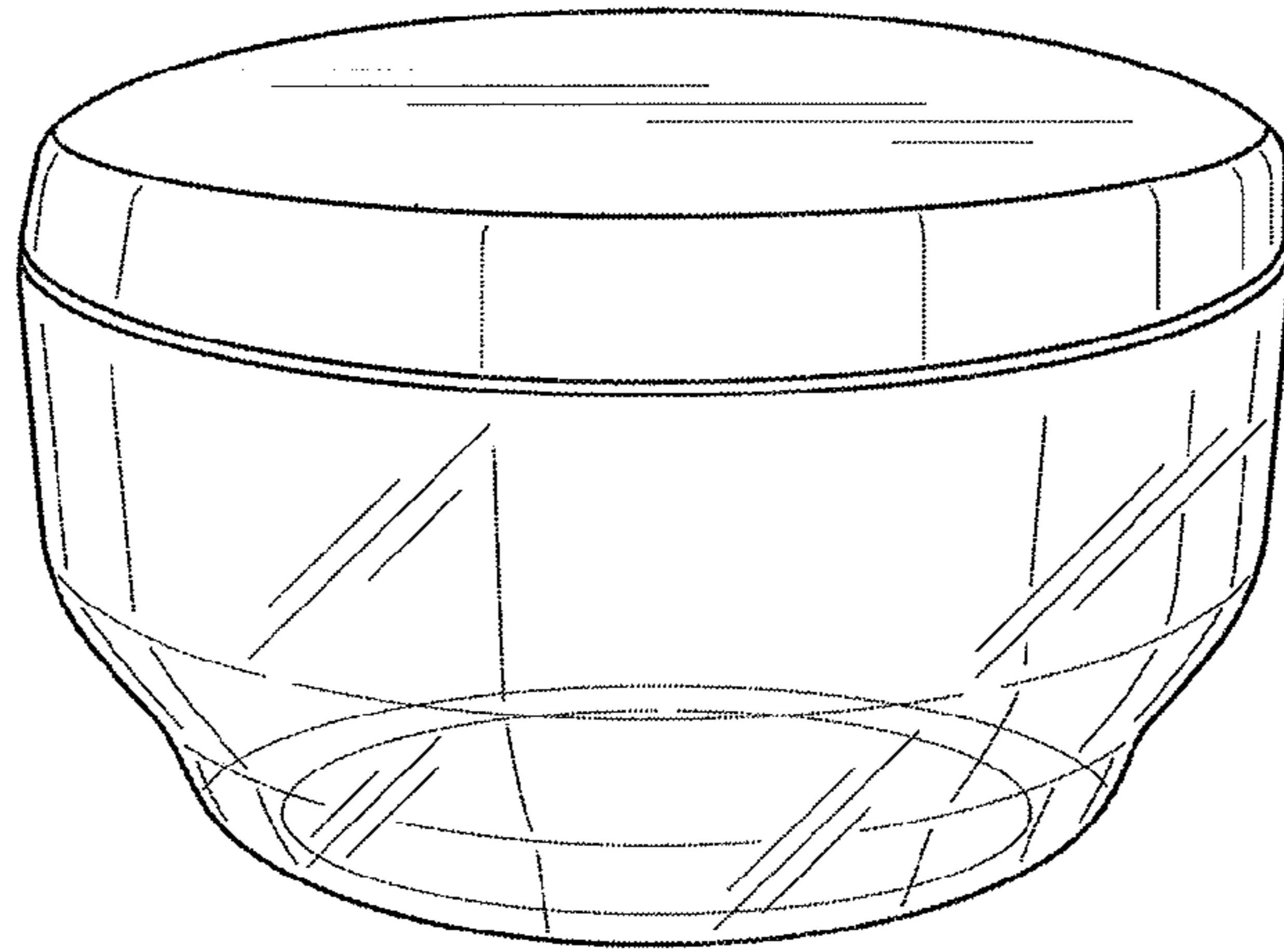


FIG. 1

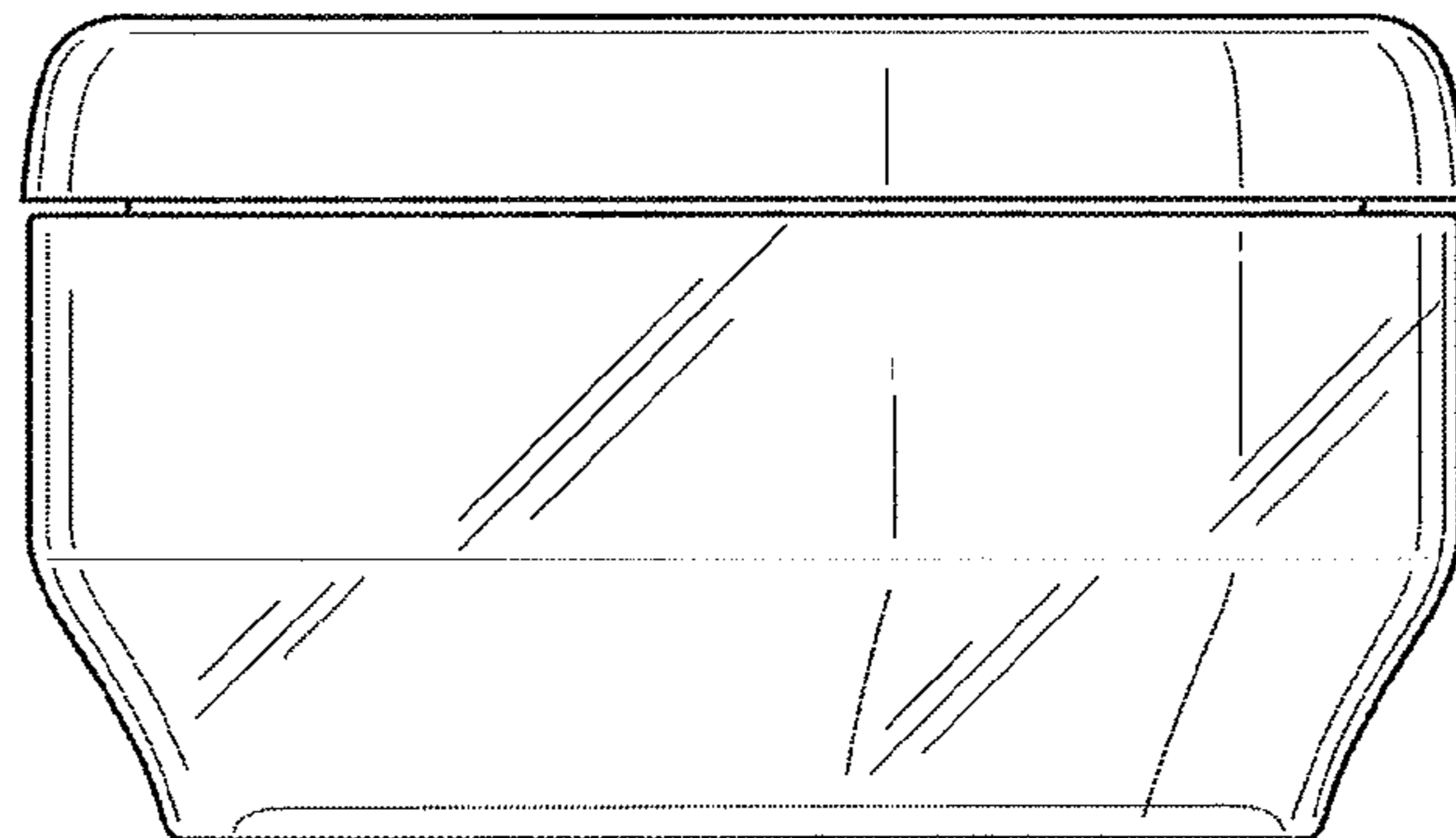


FIG. 2

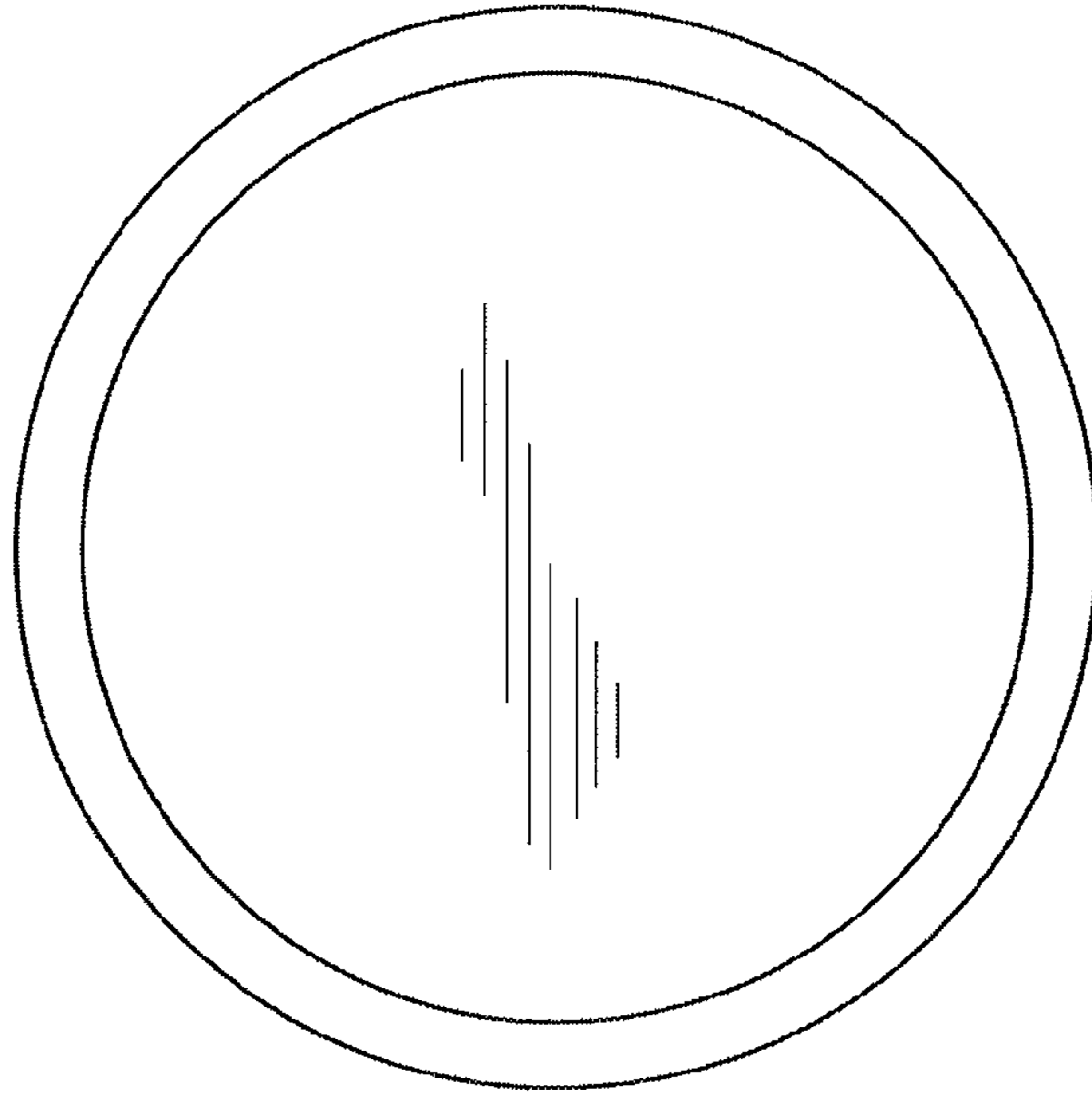


FIG. 3

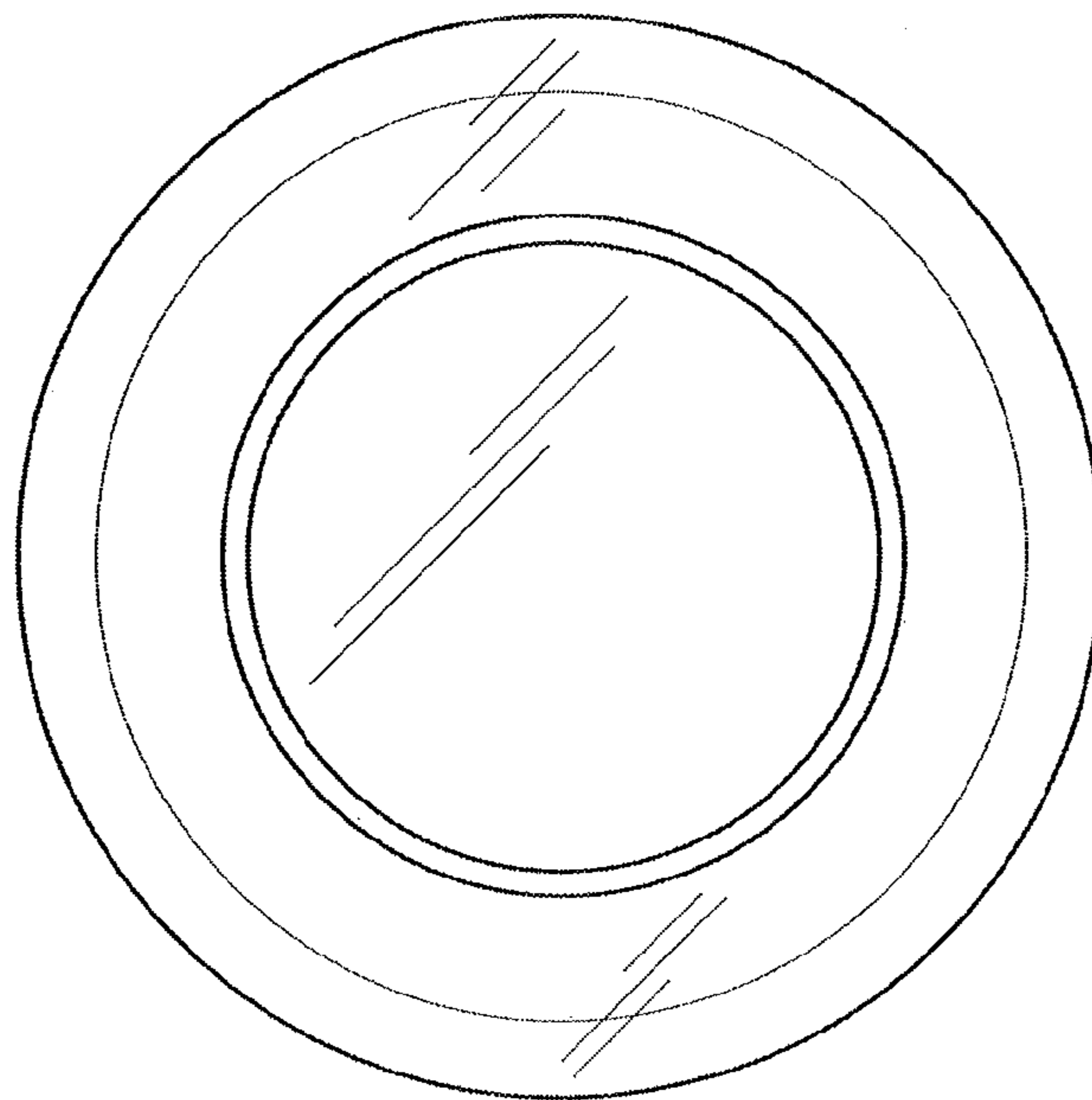


FIG. 4

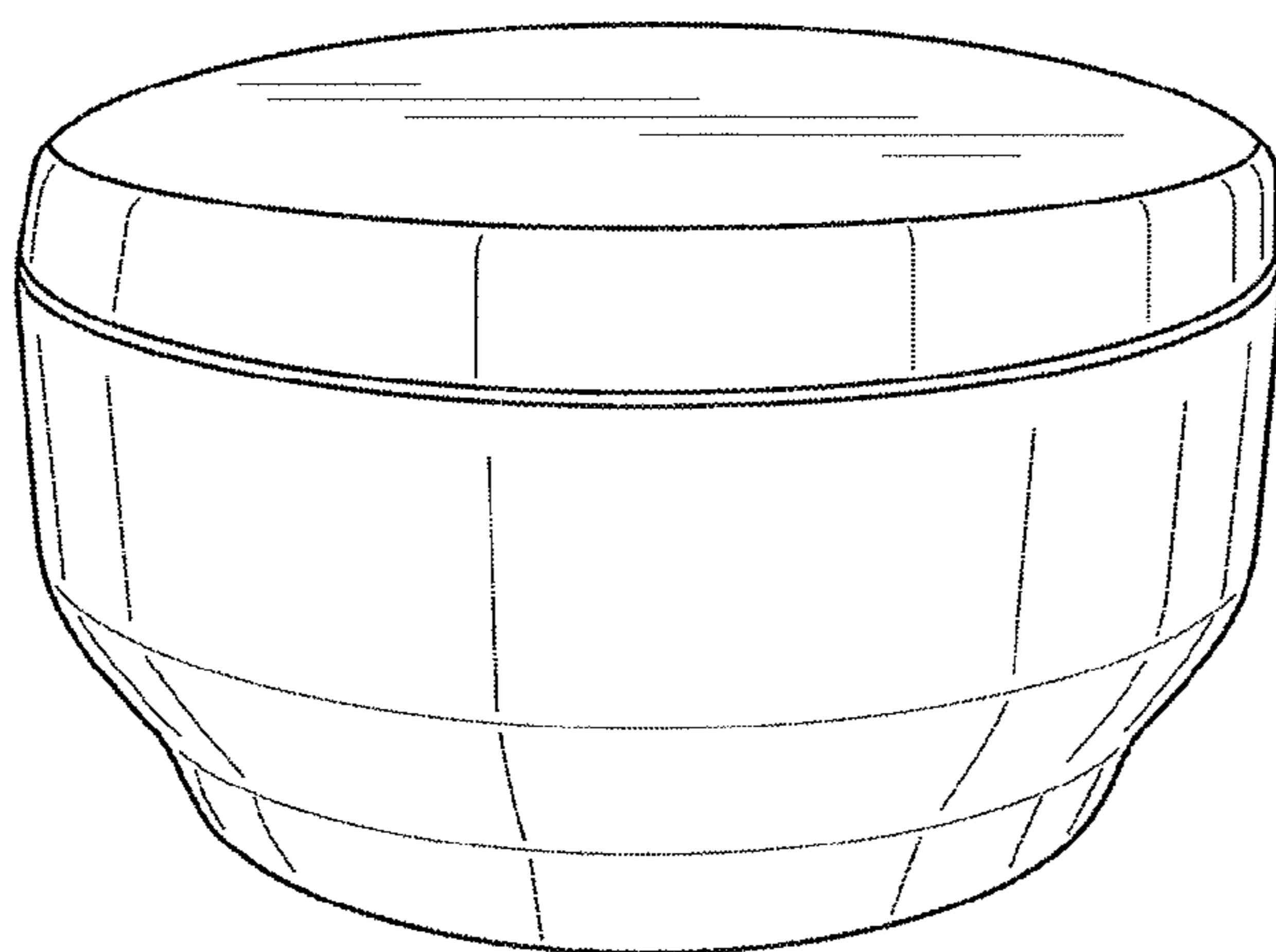


FIG. 5

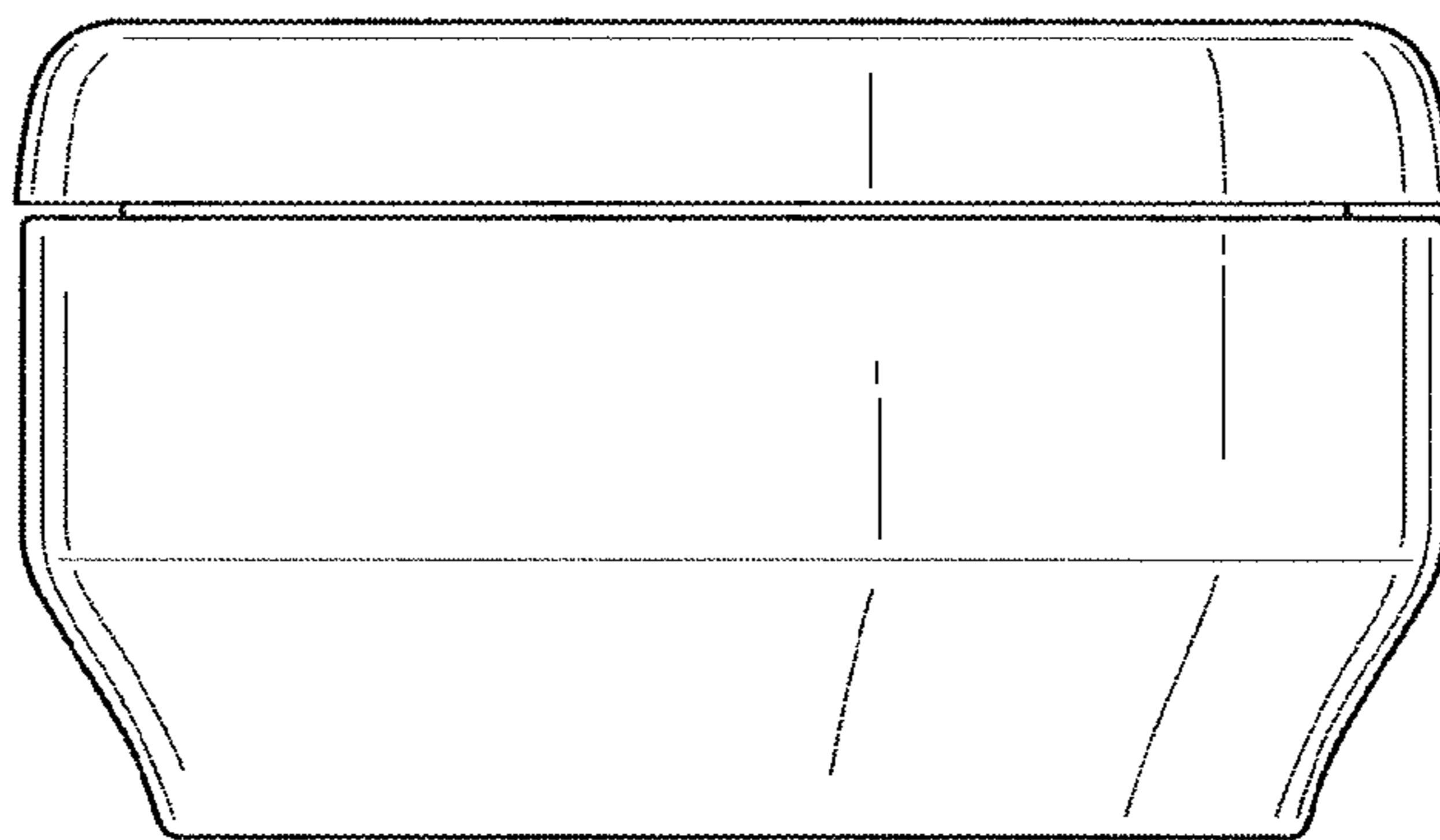


FIG. 6

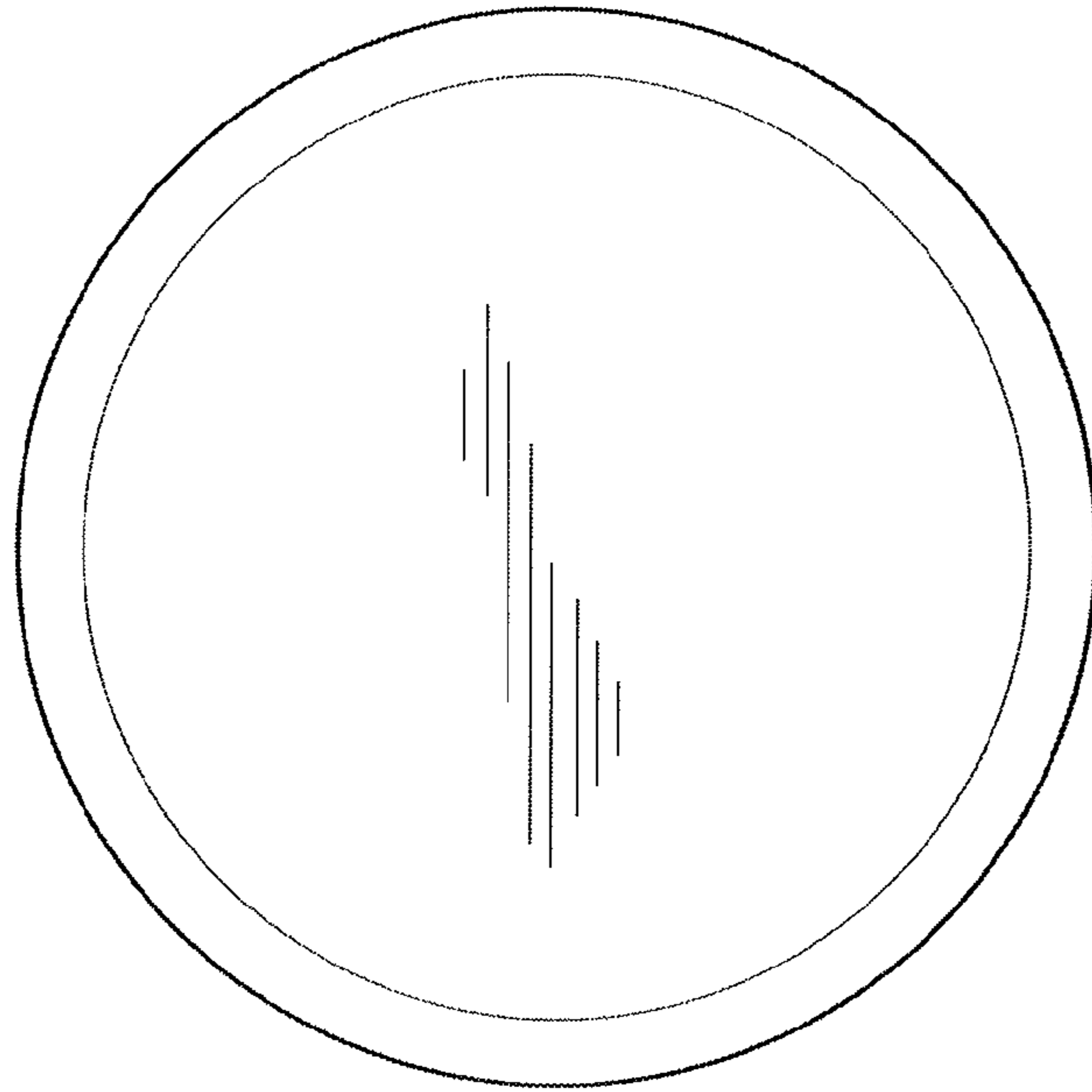


FIG. 7

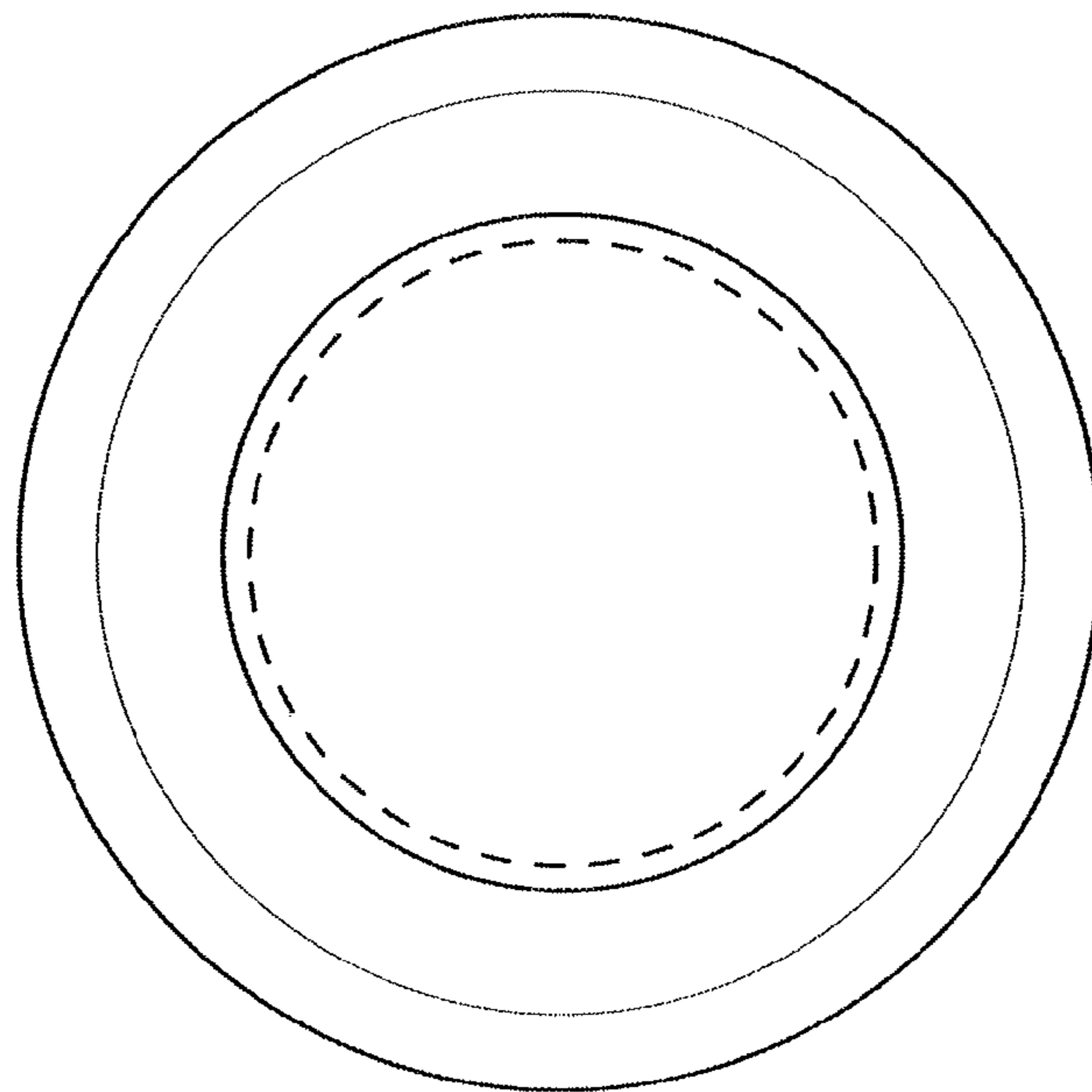


FIG. 8