

US00D662821S

(12) **United States Design Patent**
Ouzts et al.

(10) **Patent No.:** **US D662,821 S**
(45) **Date of Patent:** **** Jul. 3, 2012**

(54) **PACKAGING FOR BEVERAGE CONTAINERS OF DIFFERENT SIZES**

D628,485 S * 12/2010 Golota et al. D9/456
D649,460 S * 11/2011 Davis D9/456
2002/0096517 A1* 7/2002 Gelardi 220/4.23

(75) Inventors: **Denton Ouzts**, Ninety Six, SC (US);
Michael Lane Polk, Mint Hill, NC (US)

* cited by examiner

(73) Assignee: **FUJIFILM North America Corporation**, Valhalla, NY (US)

Primary Examiner — Susan Bennett Hattan

(74) *Attorney, Agent, or Firm* — Blakely, Sokoloff, Taylor & Zafman LLP

(**) Term: **14 Years**

(57) **CLAIM**

We claim the ornamental design for packaging for beverage containers of different sizes, as shown and described.

(21) Appl. No.: **29/398,725**

DESCRIPTION

(22) Filed: **Aug. 3, 2011**

(51) **LOC (9) Cl.** **09-07**

(52) **U.S. Cl.** **D9/456**

(58) **Field of Classification Search** D9/456,
D9/455, 434; D3/328, 319, 313, 295, 294,
D3/273, 203.8, 203.6, 203.1, 201; D25/141,
D25/125, 123, 115, 114, 113; 428/152, 150,
428/141; 410/154; 206/711, 710

See application file for complete search history.

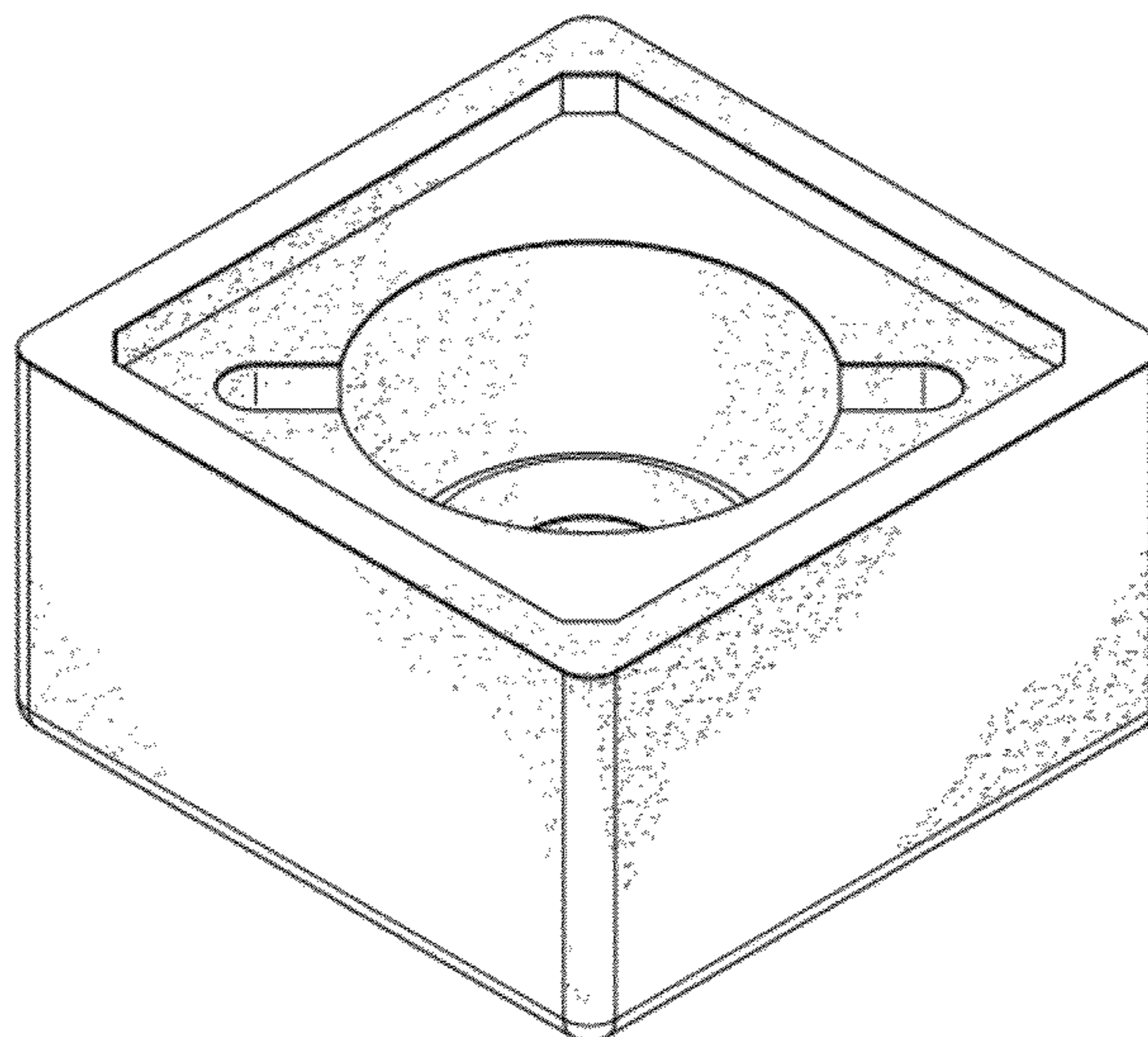
FIG. 1 is a top isometric view of packaging for beverage containers of different sizes;
FIG. 2 is a front view of the packaging for beverage containers of different sizes;
FIG. 3 is a rear view of the packaging for beverage containers of different sizes;
FIG. 4 is a right side view of the packaging for beverage containers of different sizes;
FIG. 5 is a left side view of the packaging for beverage containers of different sizes;
FIG. 6 is a top view of the packaging for beverage containers of different sizes;
FIG. 7 is a bottom view of the packaging for beverage containers of different sizes; and,
FIG. 8 is a sectional view of the packaging for beverage containers of different sizes along the sectional lines 8-8 illustrated in FIG. 6.
Surface shading is included to show the character and contour of the surfaces of three dimensional aspects of the design. The hatched markings in FIG. 8 are included for the purpose of illustrating the solid cross section portions of the design.

(56) **References Cited**

U.S. PATENT DOCUMENTS

1,659,315	A *	2/1928	Dailey	206/63.5
5,071,002	A	12/1991	Bradley		
D358,767	S *	5/1995	Berggren	D9/435
D377,901	S *	2/1997	Payne et al.	D9/456
5,628,441	A	5/1997	Dykstra		
5,729,955	A *	3/1998	Yamada	53/412
D402,560	S *	12/1998	Fogle	D9/455
5,887,709	A	3/1999	Thompson		
6,123,307	A	9/2000	Bain		
6,942,267	B1	9/2005	Sturt		
D572,588	S *	7/2008	Osborn et al.	D9/456
D605,036	S *	12/2009	Lloyd et al.	D9/435
7,731,144	B2	6/2010	Kazyaka		

1 Claim, 4 Drawing Sheets



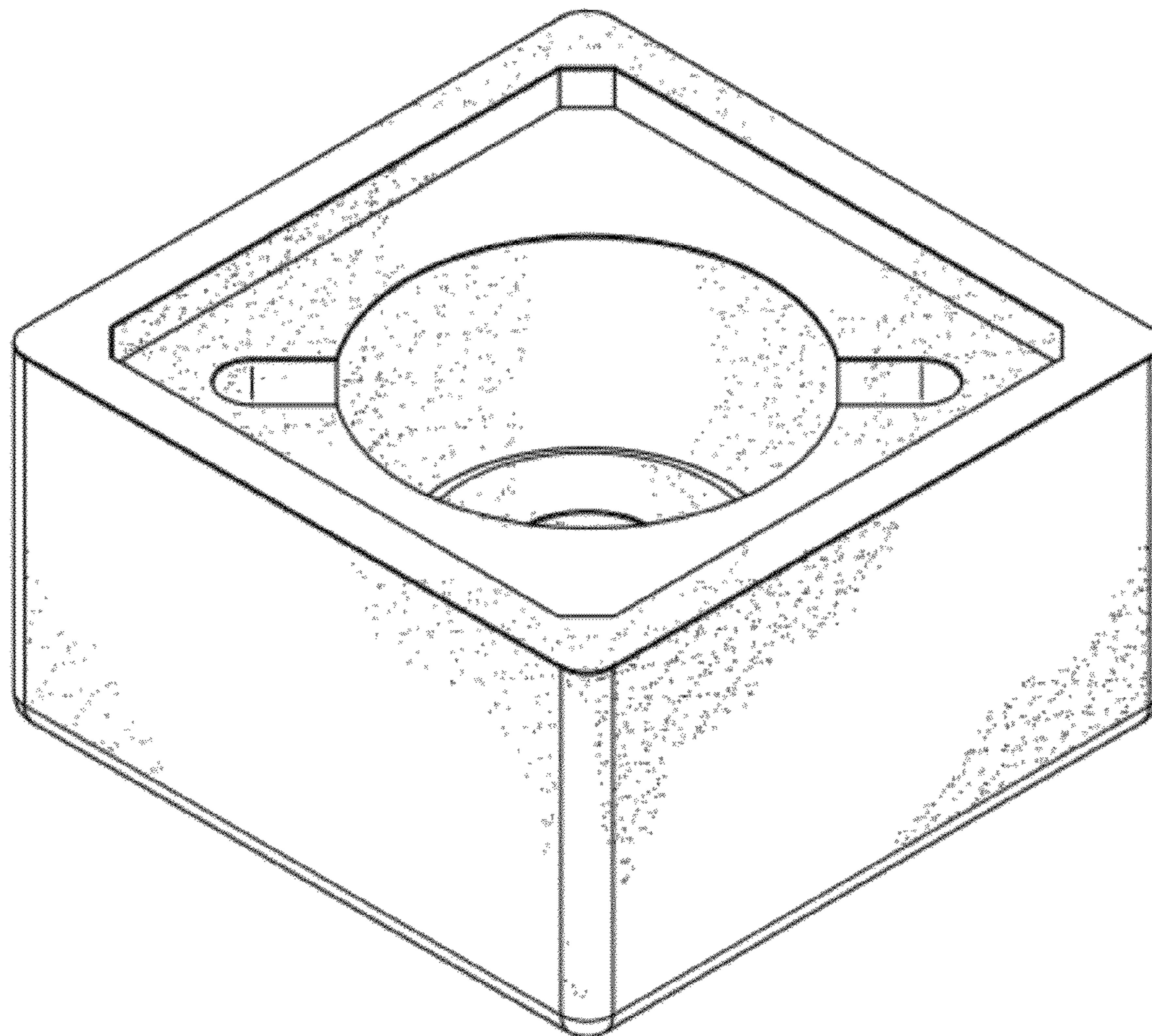


FIG. 1

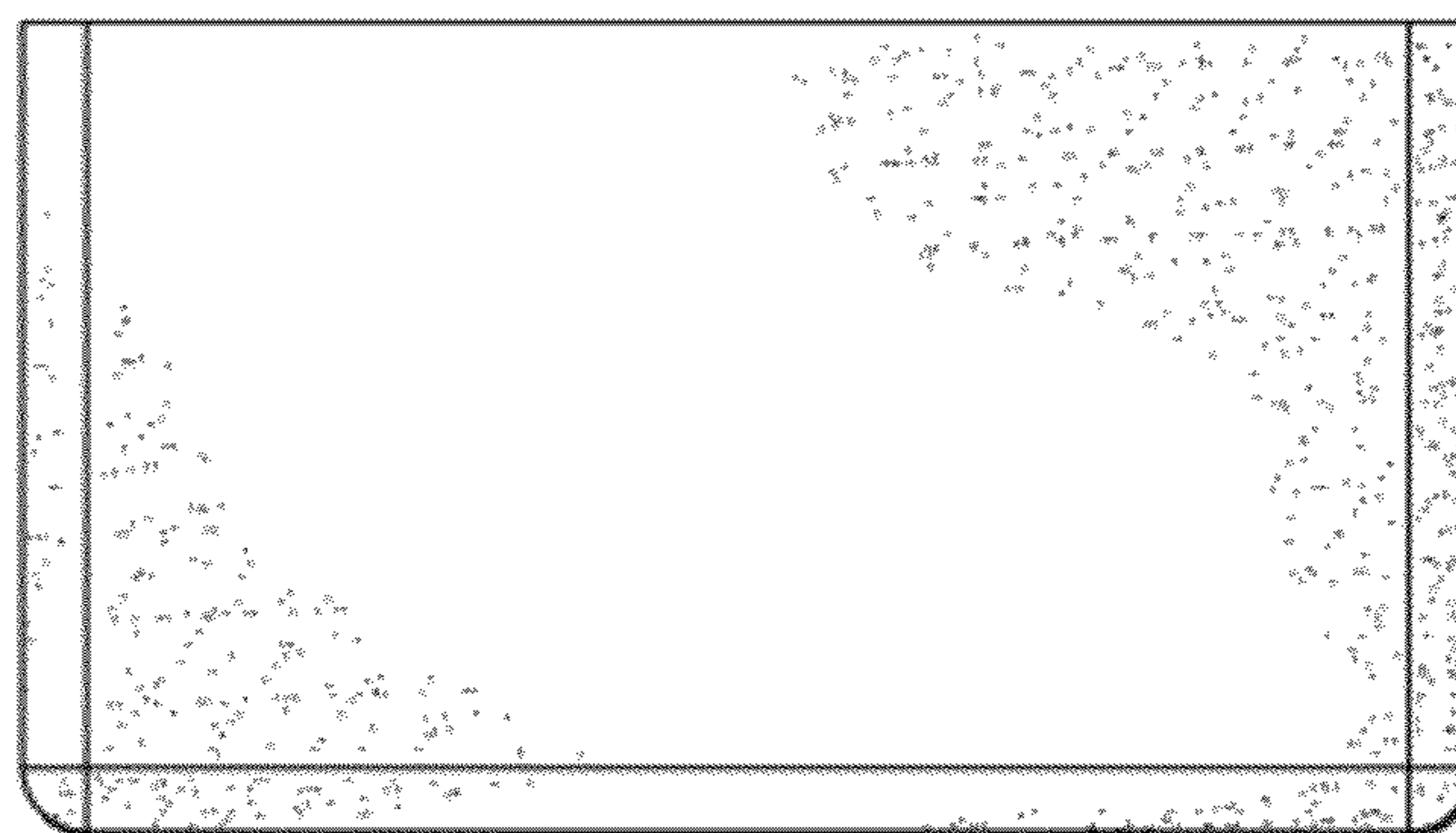


FIG. 2

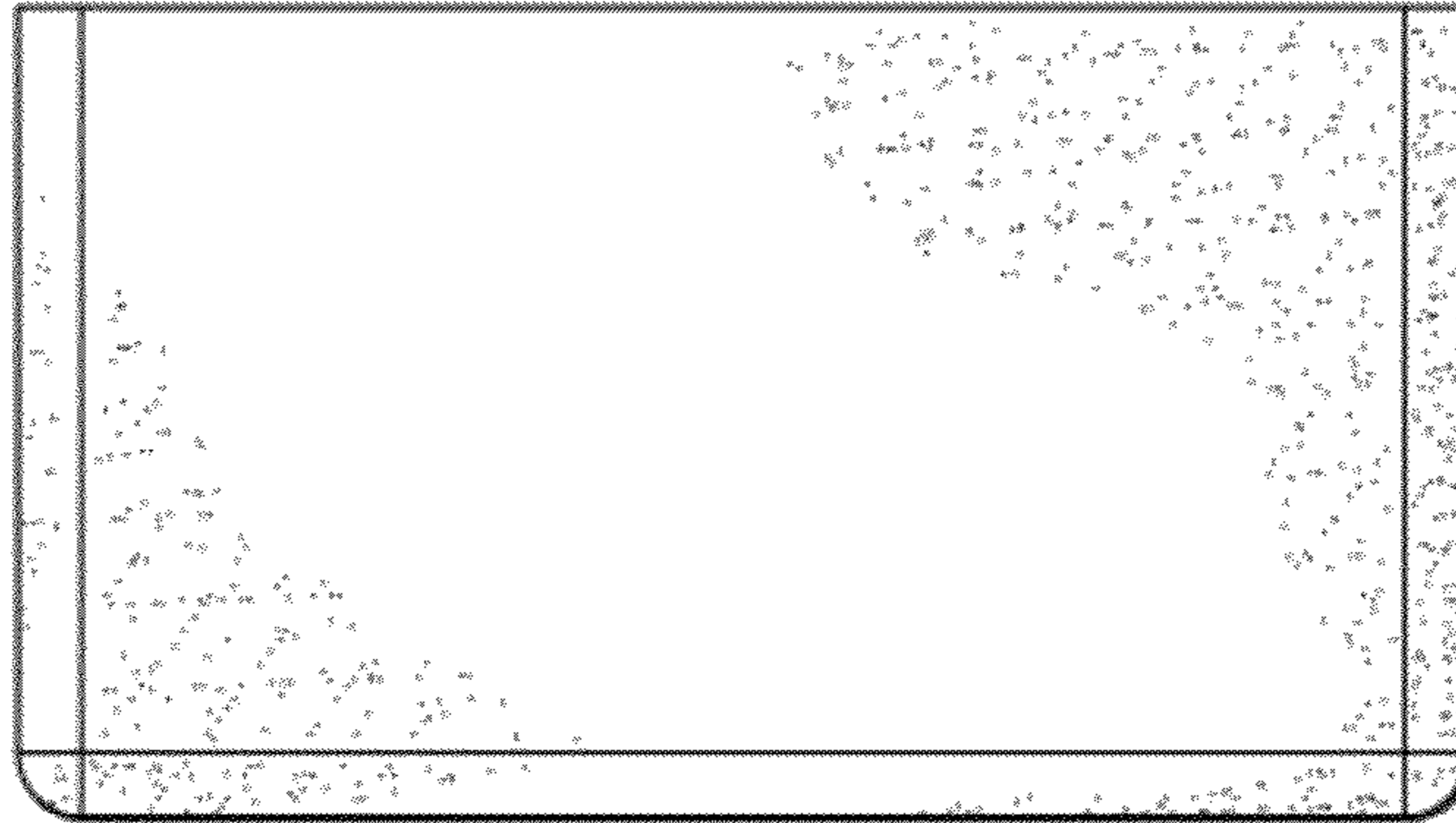


FIG. 3

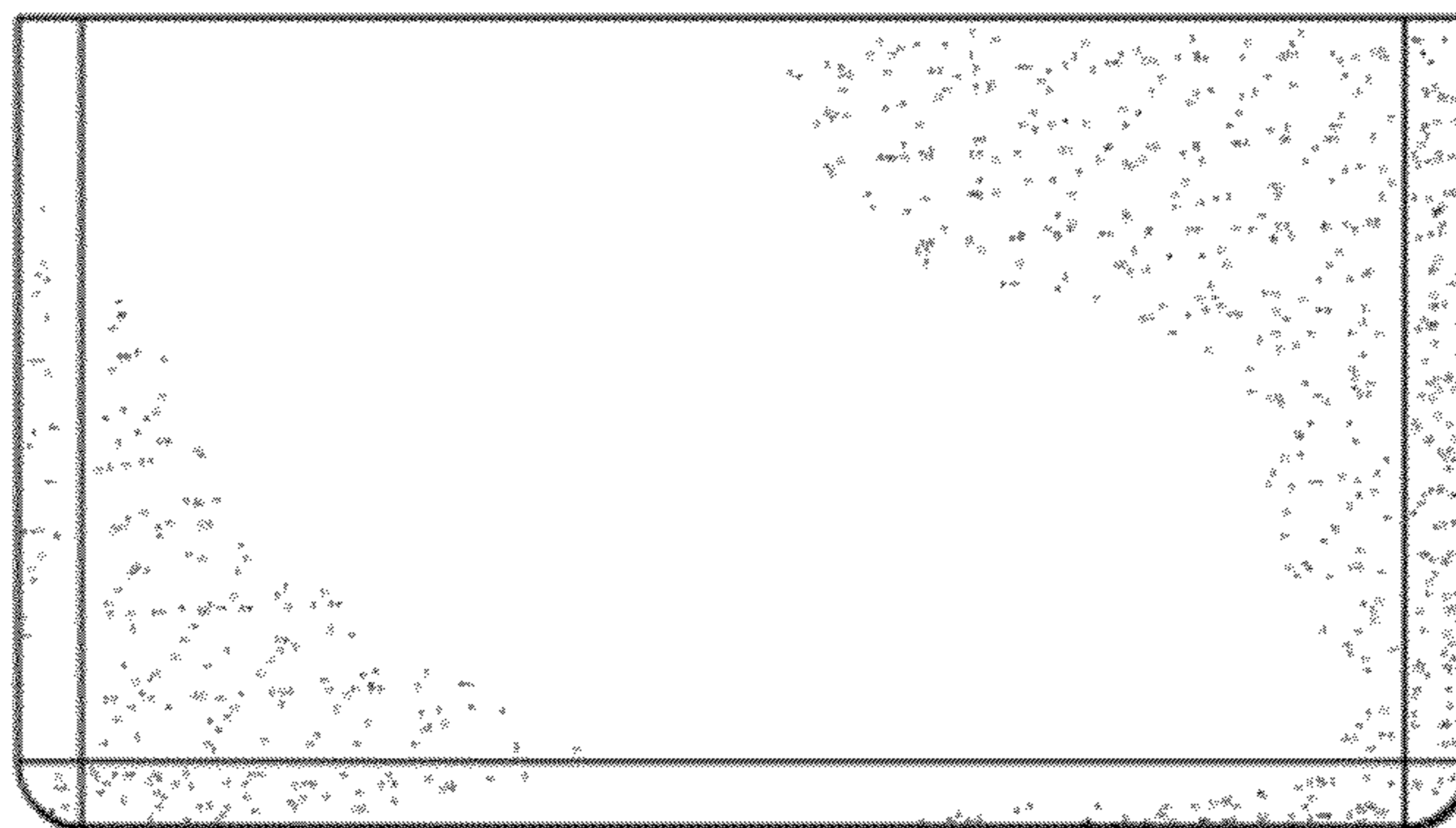


FIG. 4

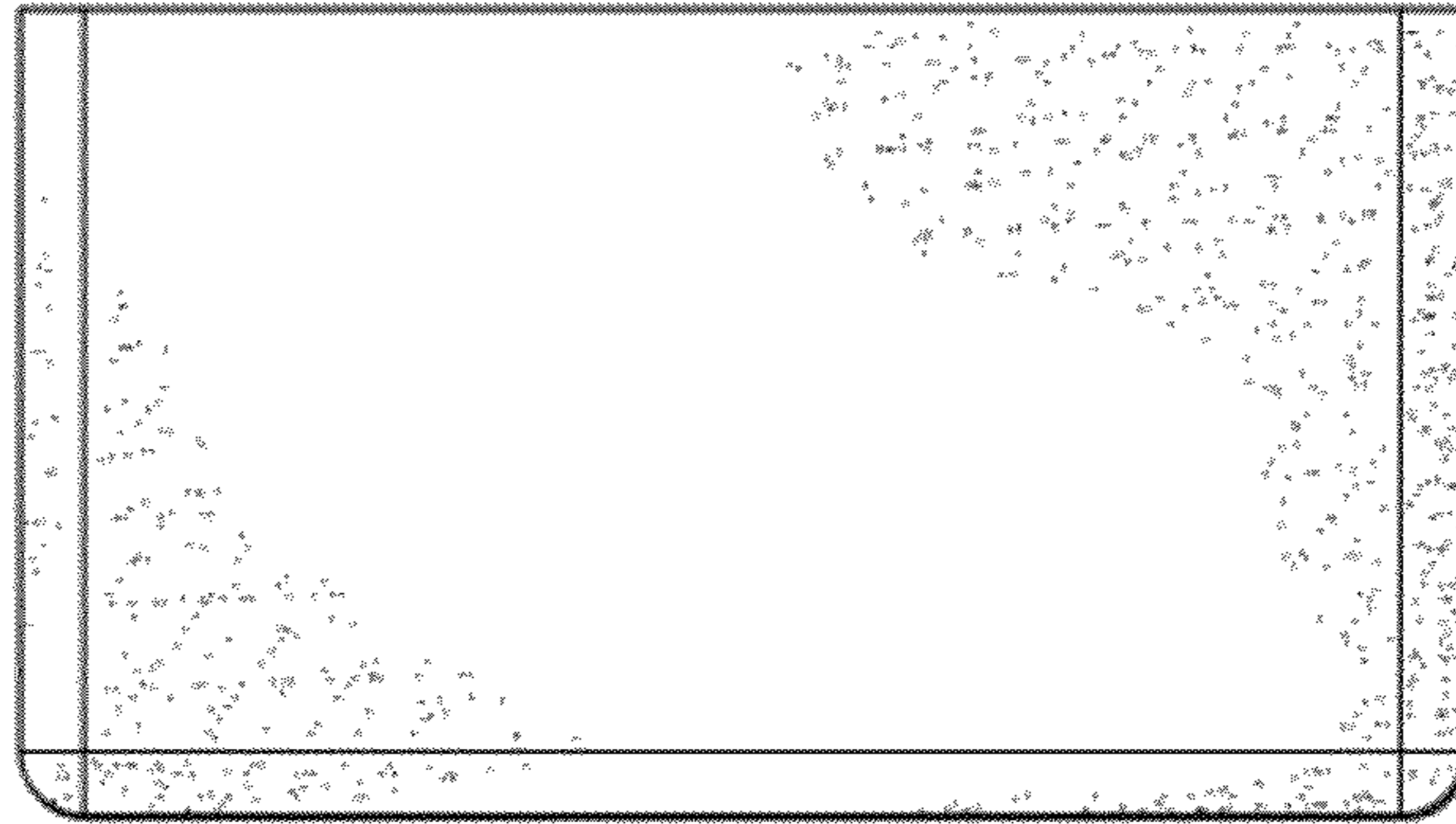


FIG. 5

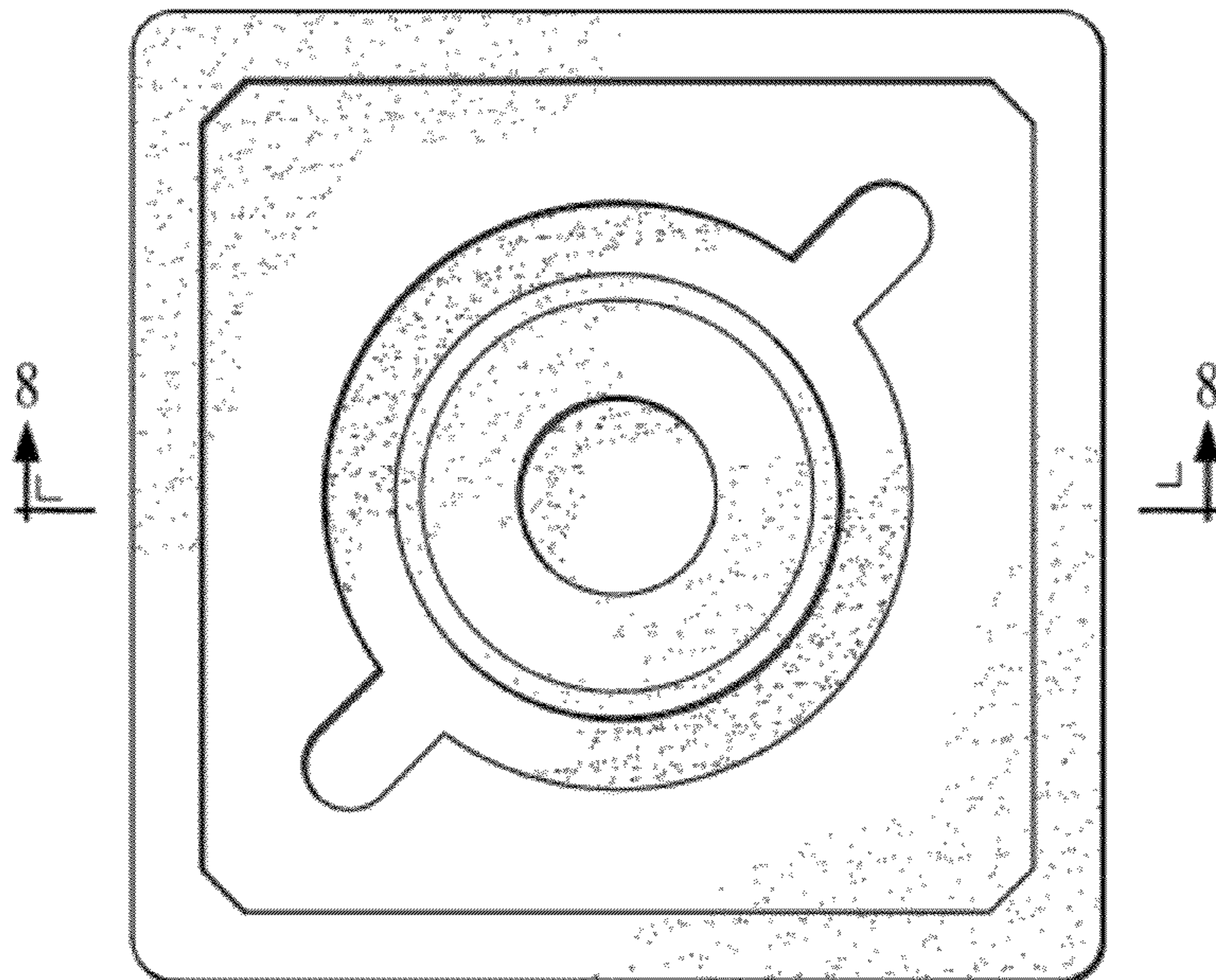


FIG. 6

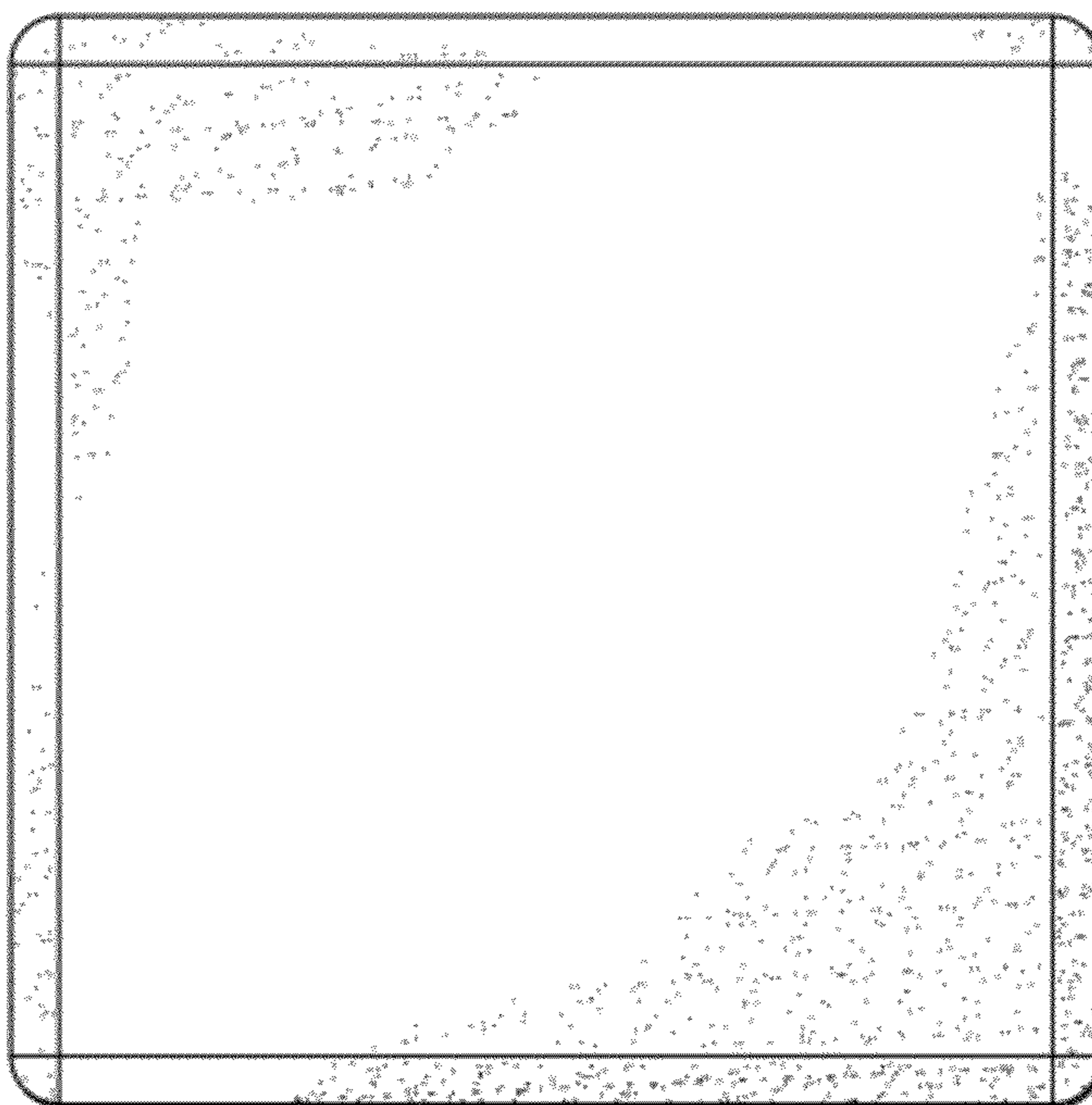


FIG. 7

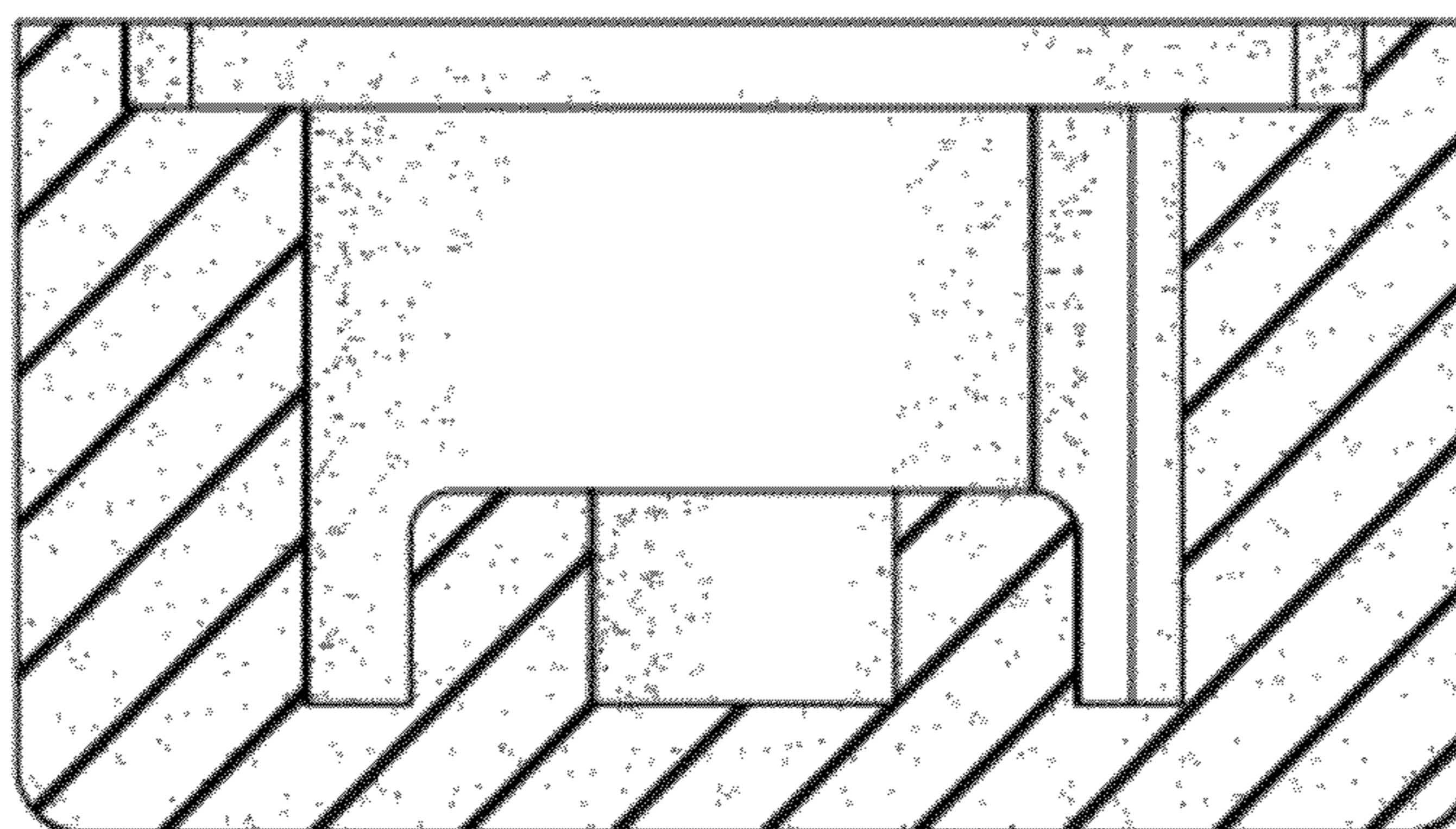


FIG. 8