



US00D662820S

(12) **United States Design Patent**
Ouzts et al.

(10) **Patent No.:** **US D662,820 S**
(45) **Date of Patent:** **** Jul. 3, 2012**

(54) **PACKAGING FOR BEVERAGE CONTAINERS OF DIFFERENT SIZES**

(75) Inventors: **Denton Ouzts**, Ninety Six, SC (US);
Michael Lane Polk, Mint Hill, NC (US)

(73) Assignee: **FUJIFILM North America Corporation**, Valhalla, NY (US)

(**) Term: **14 Years**

(21) Appl. No.: **29/398,724**

(22) Filed: **Aug. 3, 2011**

(51) **LOC (9) Cl.** **09-07**

(52) **U.S. Cl.** **D9/456**

(58) **Field of Classification Search** D9/456,
D9/455, 434; D3/328, 319, 313, 295, 294,
D3/273, 203.8, 203.6, 203.1, 201; D25/141,
D25/125, 123, 115, 114, 113; 428/152, 150,
428/141; 410/154; 206/711.71

See application file for complete search history.

(56) **References Cited**

U.S. PATENT DOCUMENTS

| | | | | | | |
|-----------|----|---|---------|------------------|-------|---------|
| D276,702 | S | * | 12/1984 | Entenmann et al. | | D9/456 |
| 5,071,002 | A | | 12/1991 | Bradley | | |
| D377,901 | S | * | 2/1997 | Payne et al. | | D9/456 |
| 5,628,441 | A | | 5/1997 | Dykstra | | |
| D381,394 | S | * | 7/1997 | Lex et al. | | D23/209 |
| 5,887,709 | A | | 3/1999 | Thompson | | |
| 6,123,307 | A | | 9/2000 | Bain | | |
| 6,942,267 | B1 | | 9/2005 | Sturt | | |
| D531,499 | S | * | 11/2006 | Zaidman | | D9/434 |
| 7,731,144 | B2 | | 6/2010 | Kazyaka | | |

* cited by examiner

Primary Examiner — Susan Bennett Hattan

(74) *Attorney, Agent, or Firm* — Blakely, Sokoloff, Taylor & Zafman LLP

(57) **CLAIM**

We claim the ornamental design for packaging for beverage containers of different sizes, as shown and described.

DESCRIPTION

FIG. 1 is a top isometric view of packaging for beverage containers of different sizes;

FIG. 2 is another top isometric view of the packaging for beverage containers of different sizes;

FIG. 3 is a front view of the packaging for beverage containers of different sizes;

FIG. 4 is a rear view of the packaging for beverage containers of different sizes;

FIG. 5 is a right side view of the packaging for beverage containers of different sizes;

FIG. 6 is a left side view of the packaging for beverage containers of different sizes;

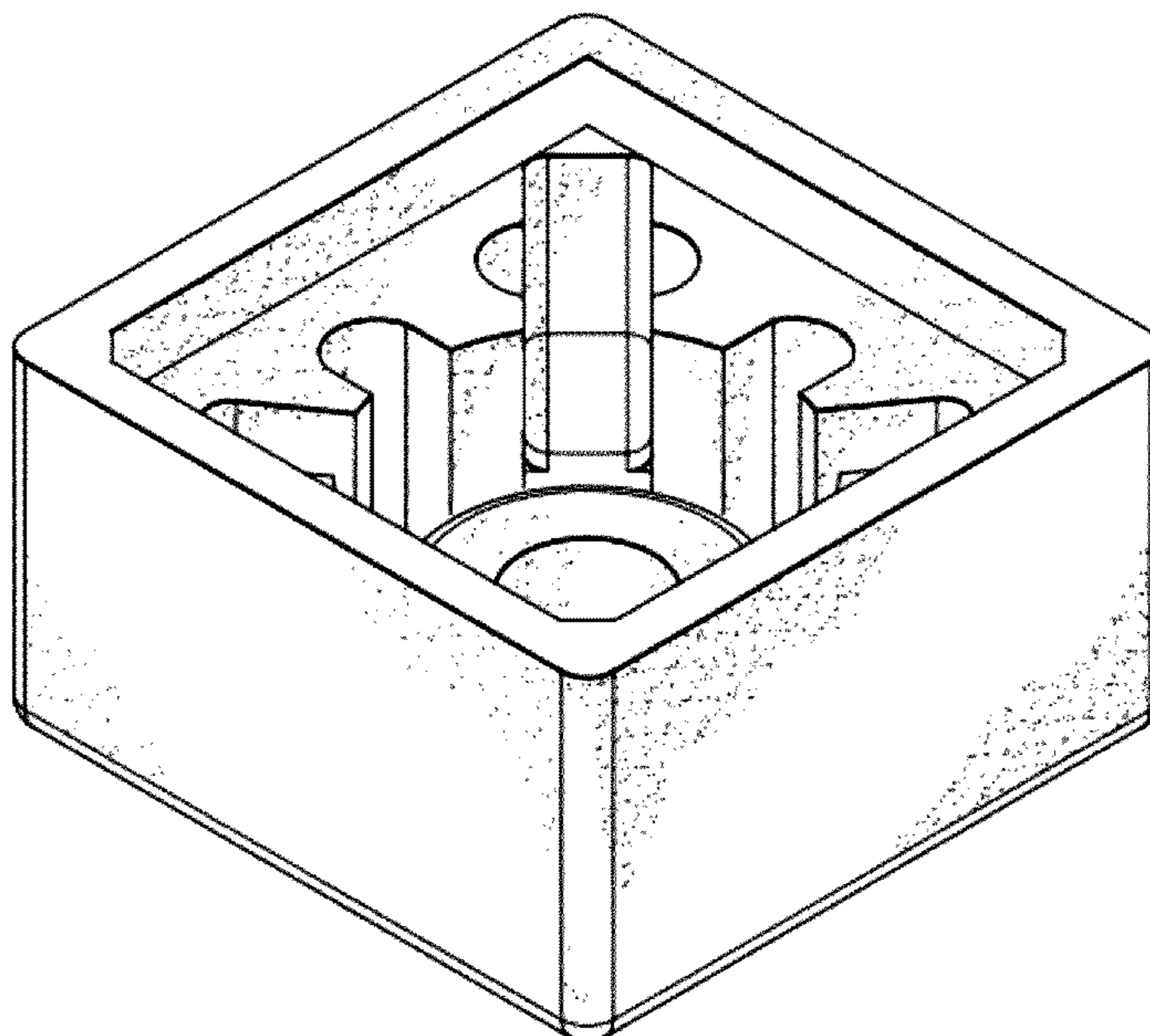
FIG. 7 is a top view of the packaging for beverage containers of different sizes;

FIG. 8 is a bottom view of the packaging for beverage containers of different sizes; and,

FIG. 9 is a sectional view of the packaging for beverage containers of different sizes along the sectional lines 9-9 illustrated in FIG. 7.

Surface shading is included to show the character and contour of the surfaces of three dimensional aspects of the design. The hatched markings in FIG. 9 are included for the purpose of illustrating the solid cross section portions of the design.

1 Claim, 4 Drawing Sheets



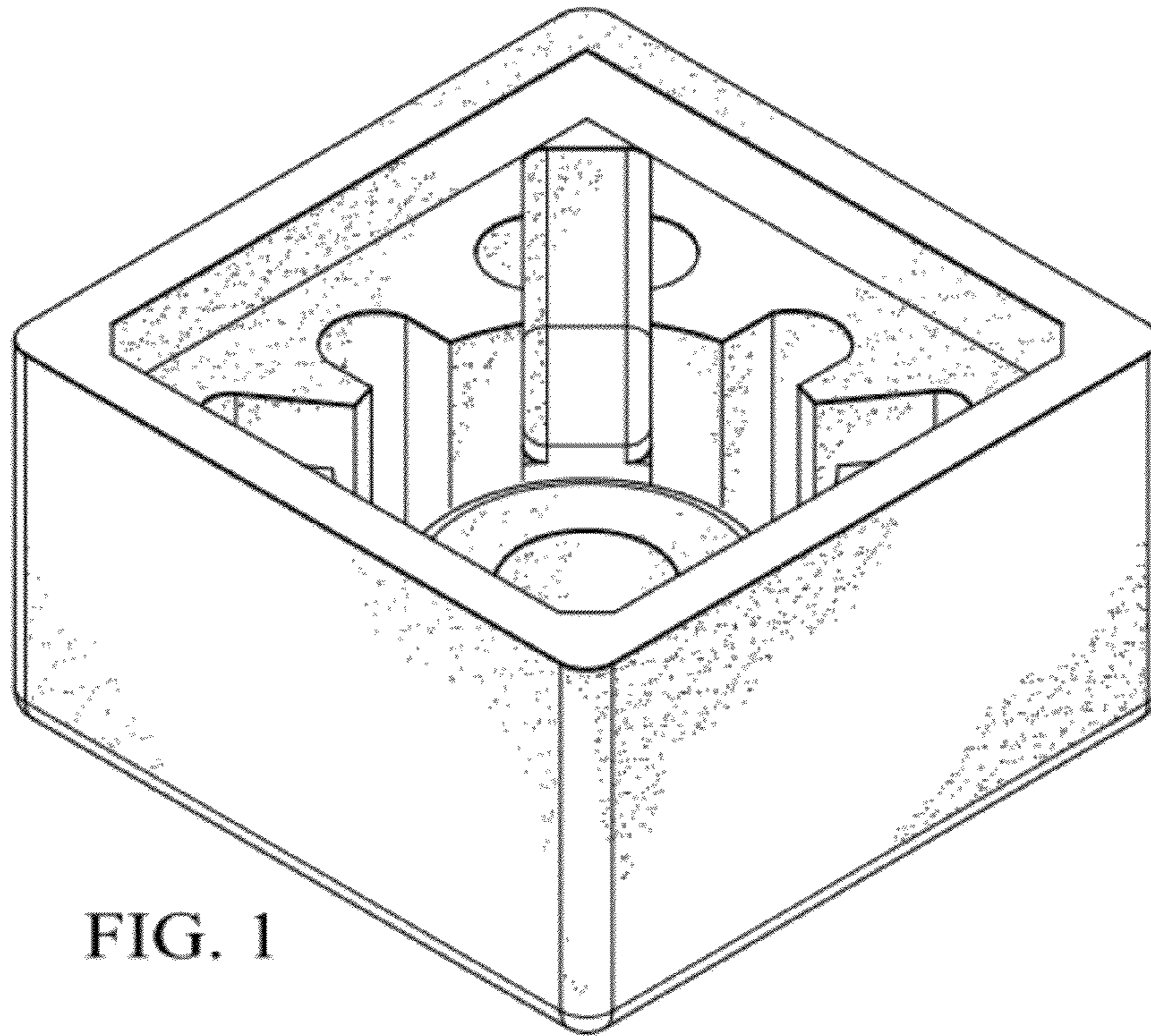


FIG. 1

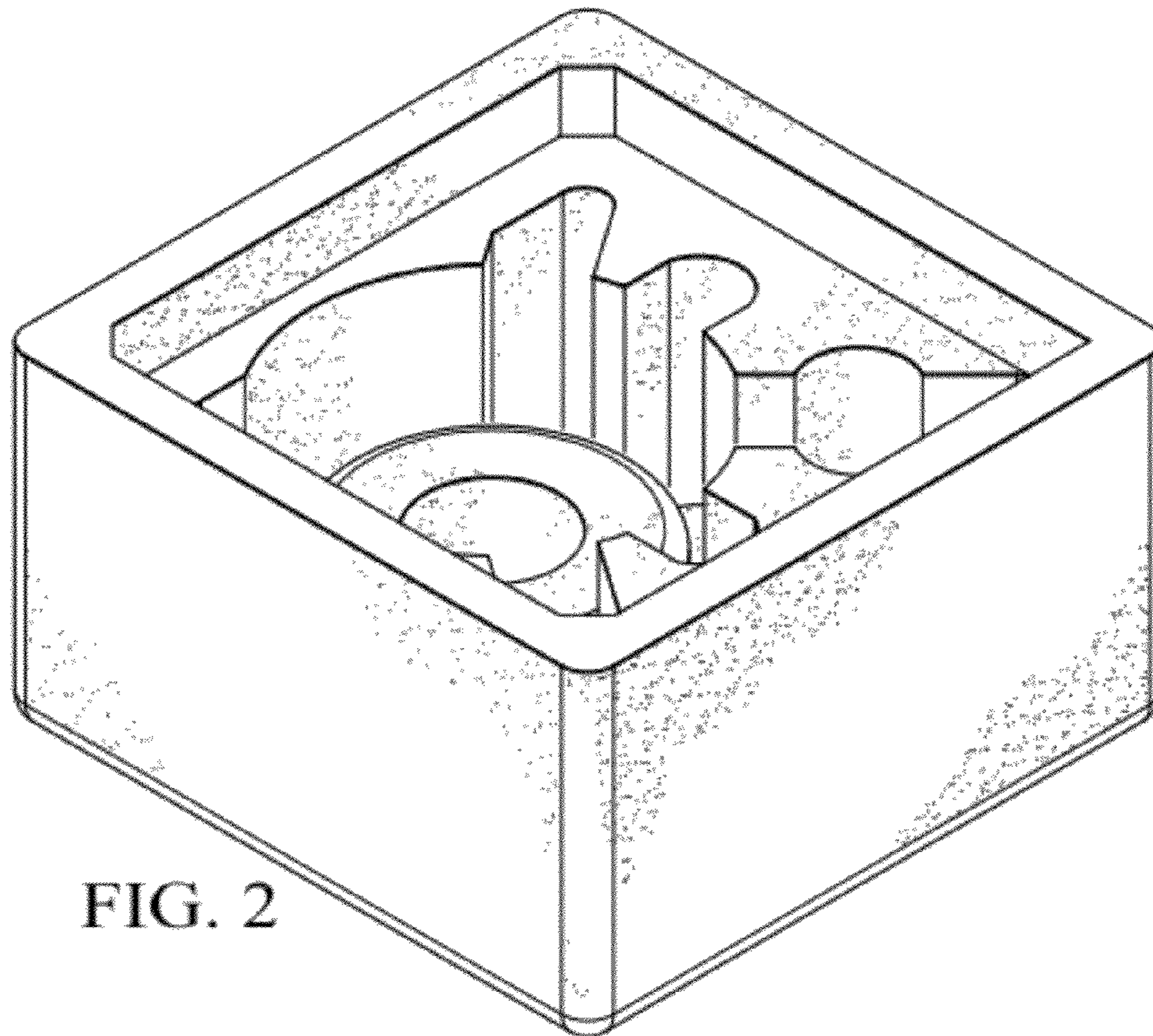


FIG. 2

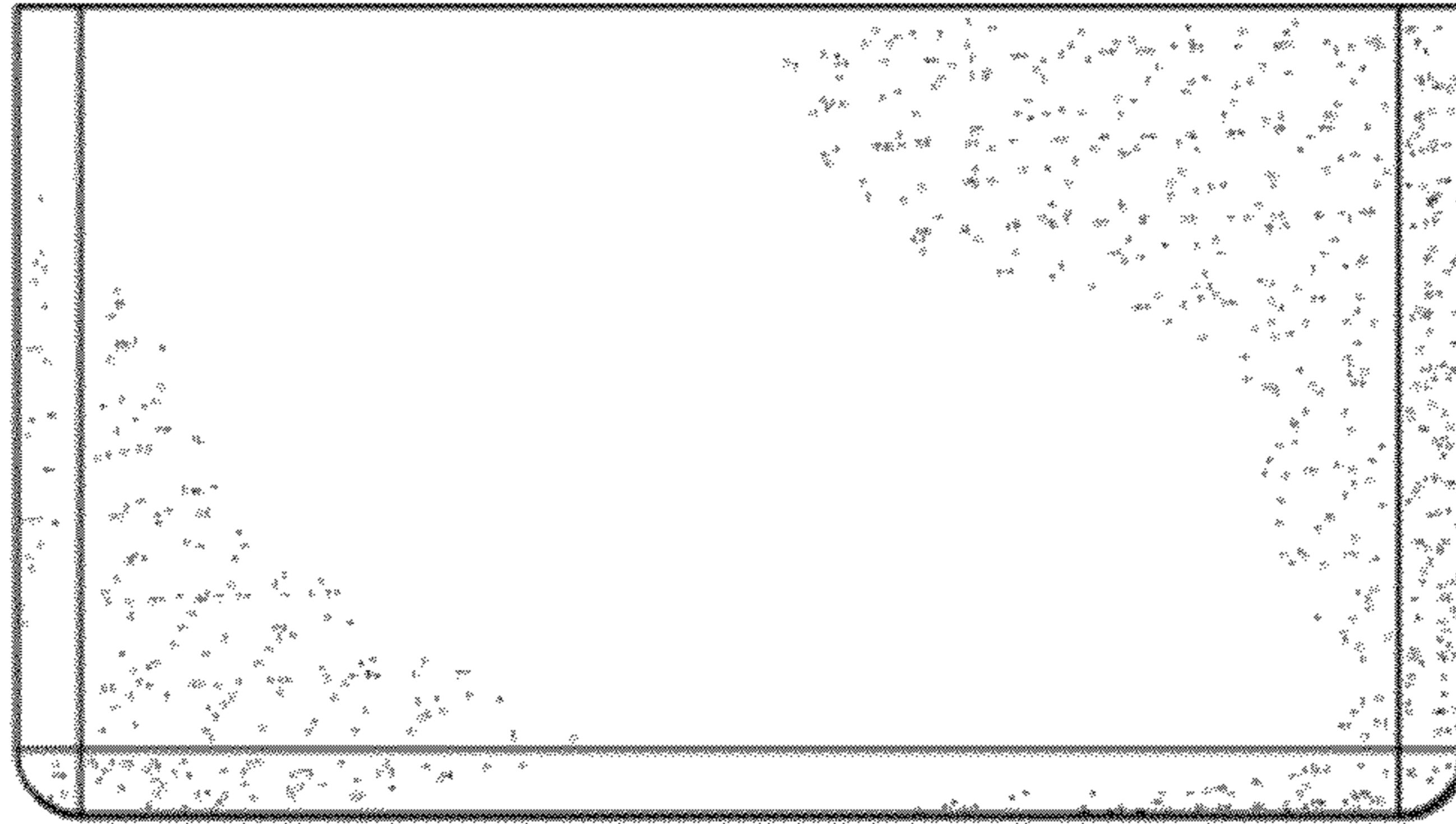


FIG. 3

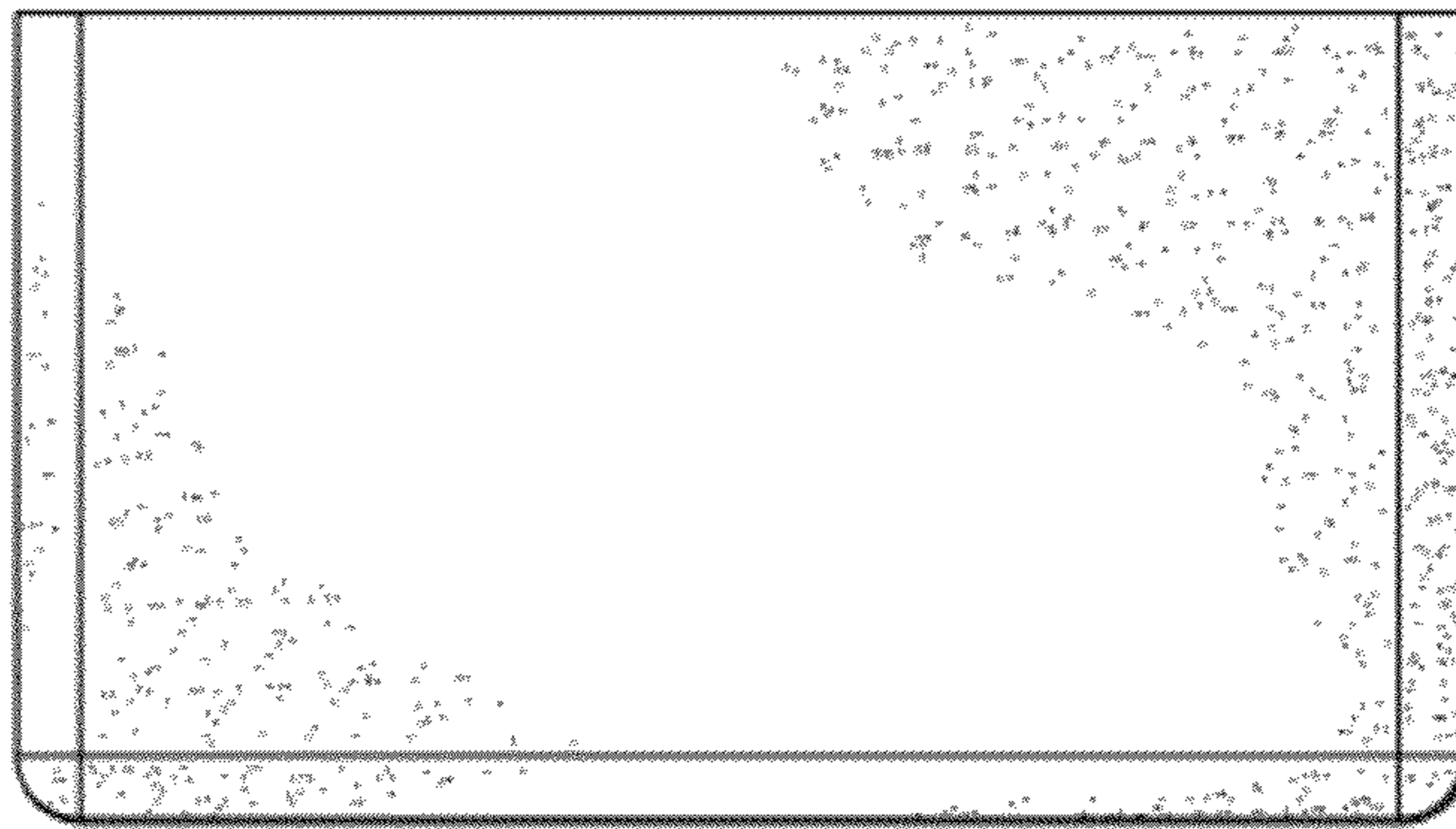


FIG. 4

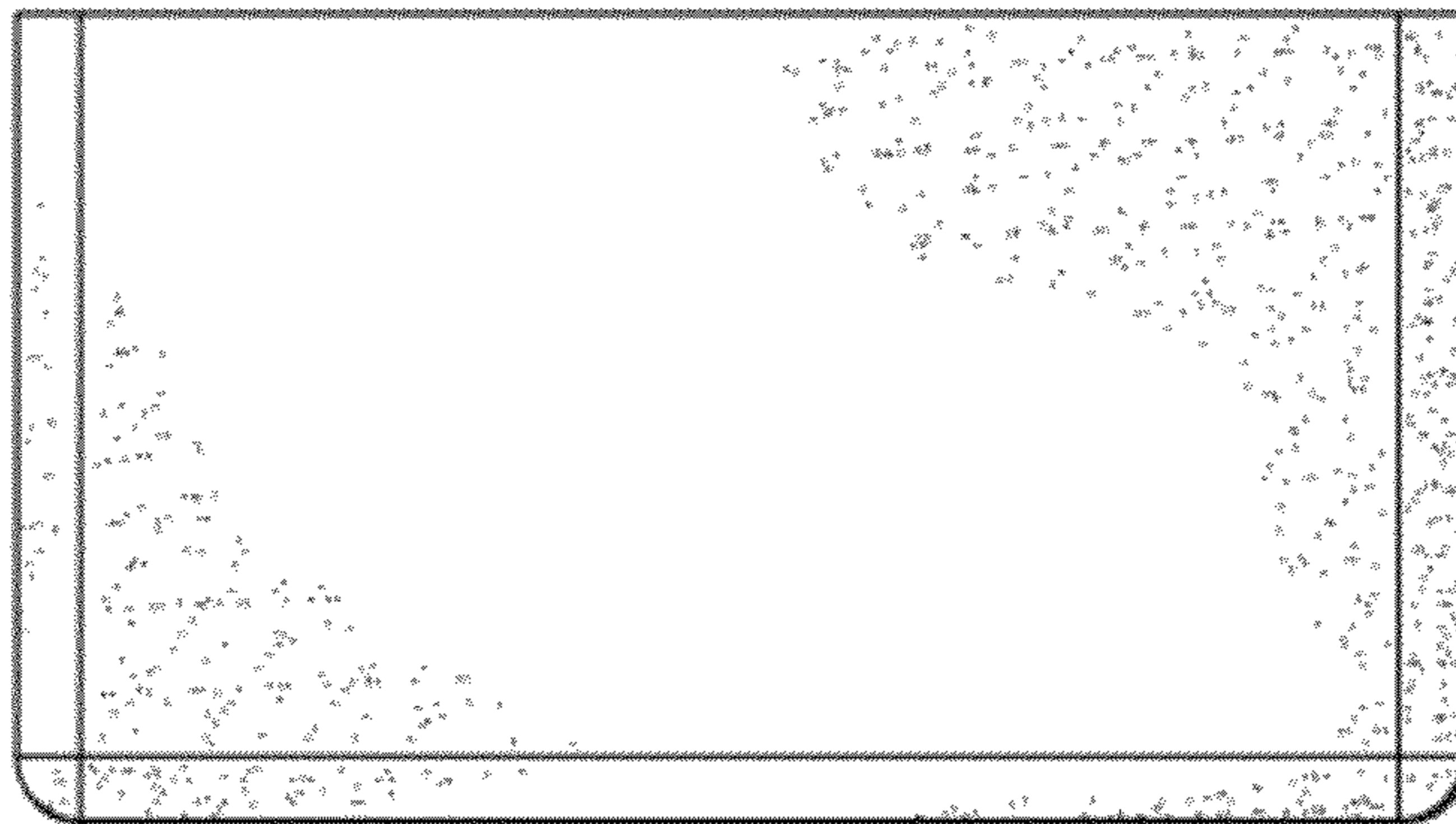


FIG. 5

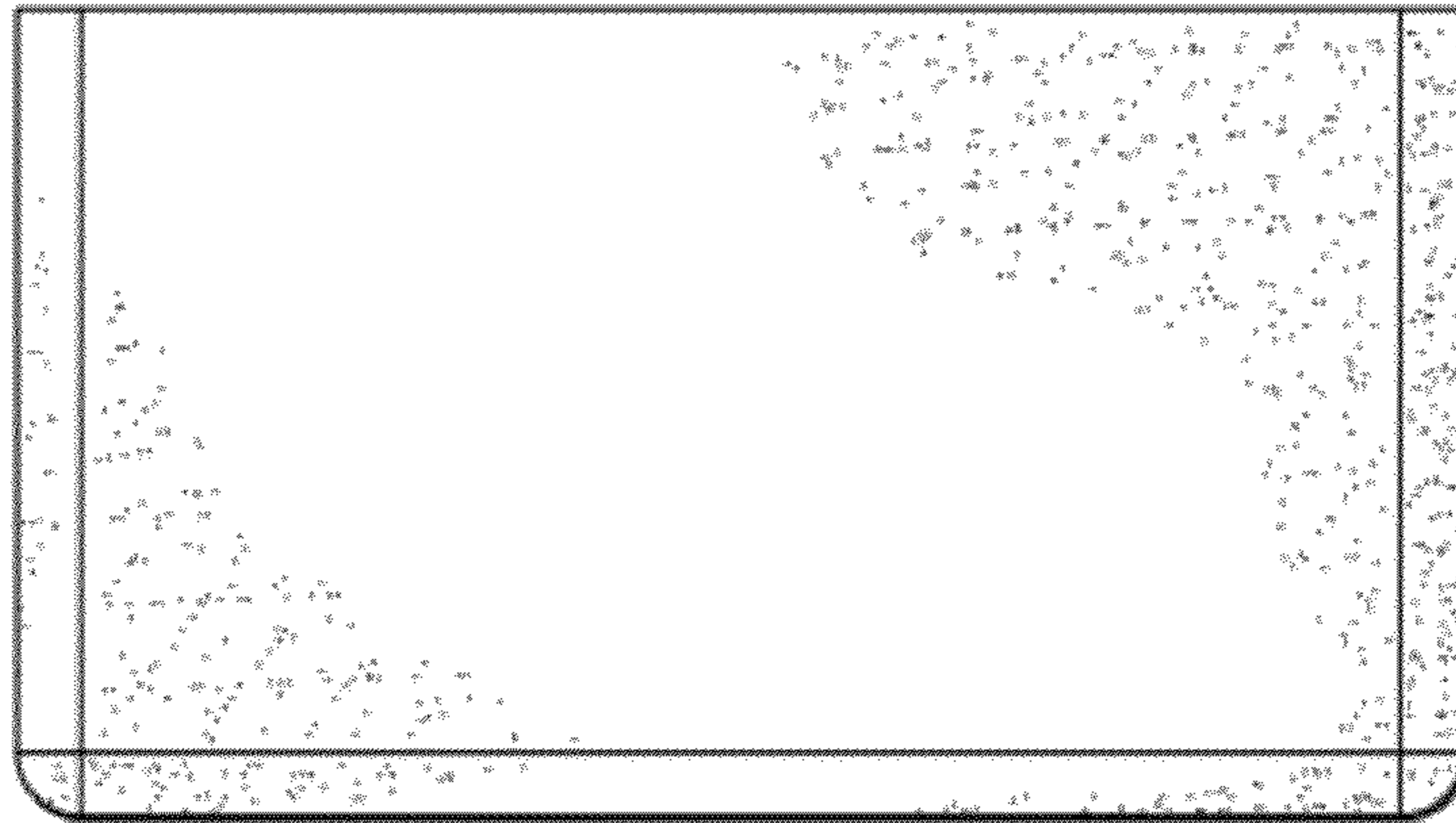


FIG. 6

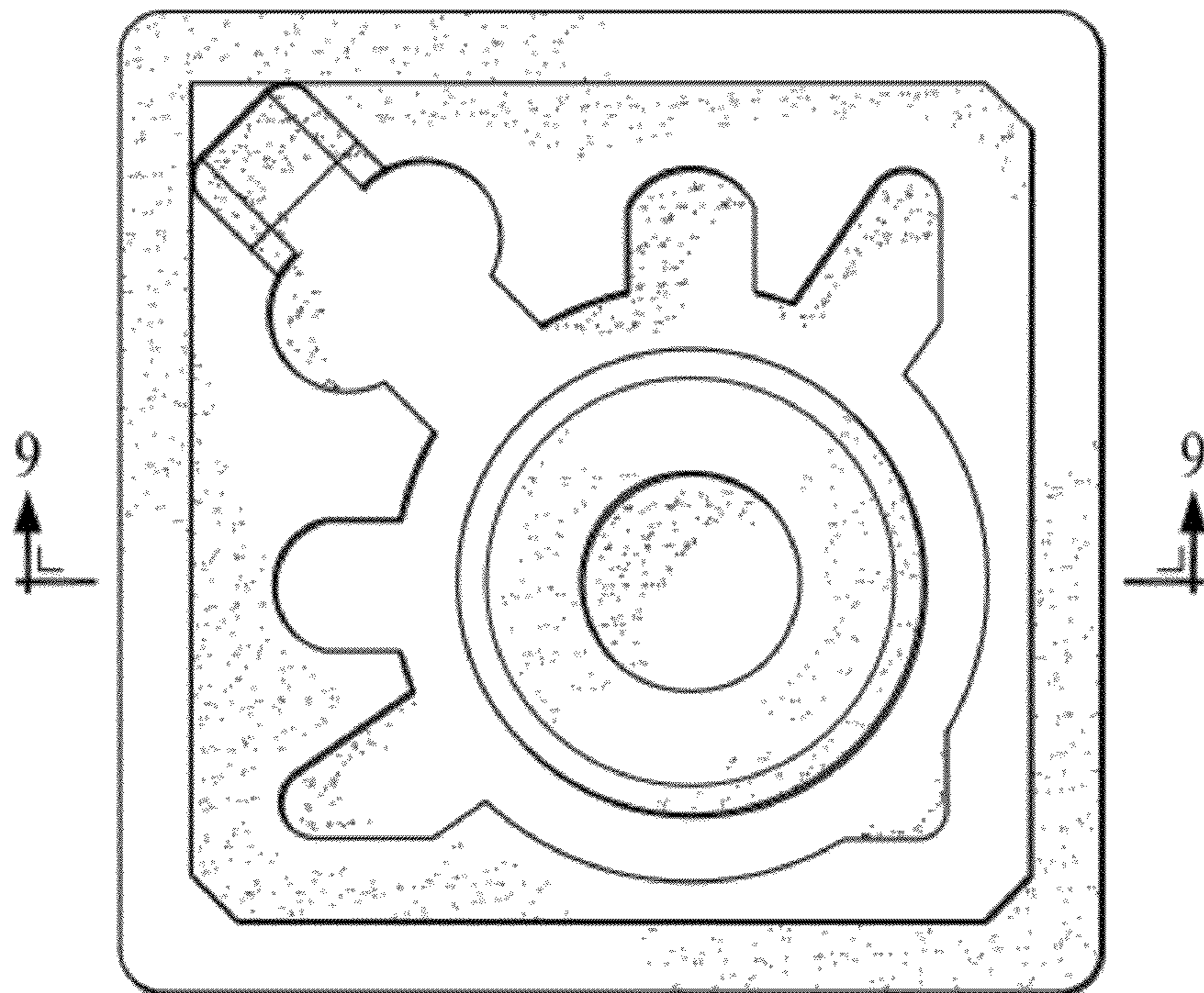


FIG. 7

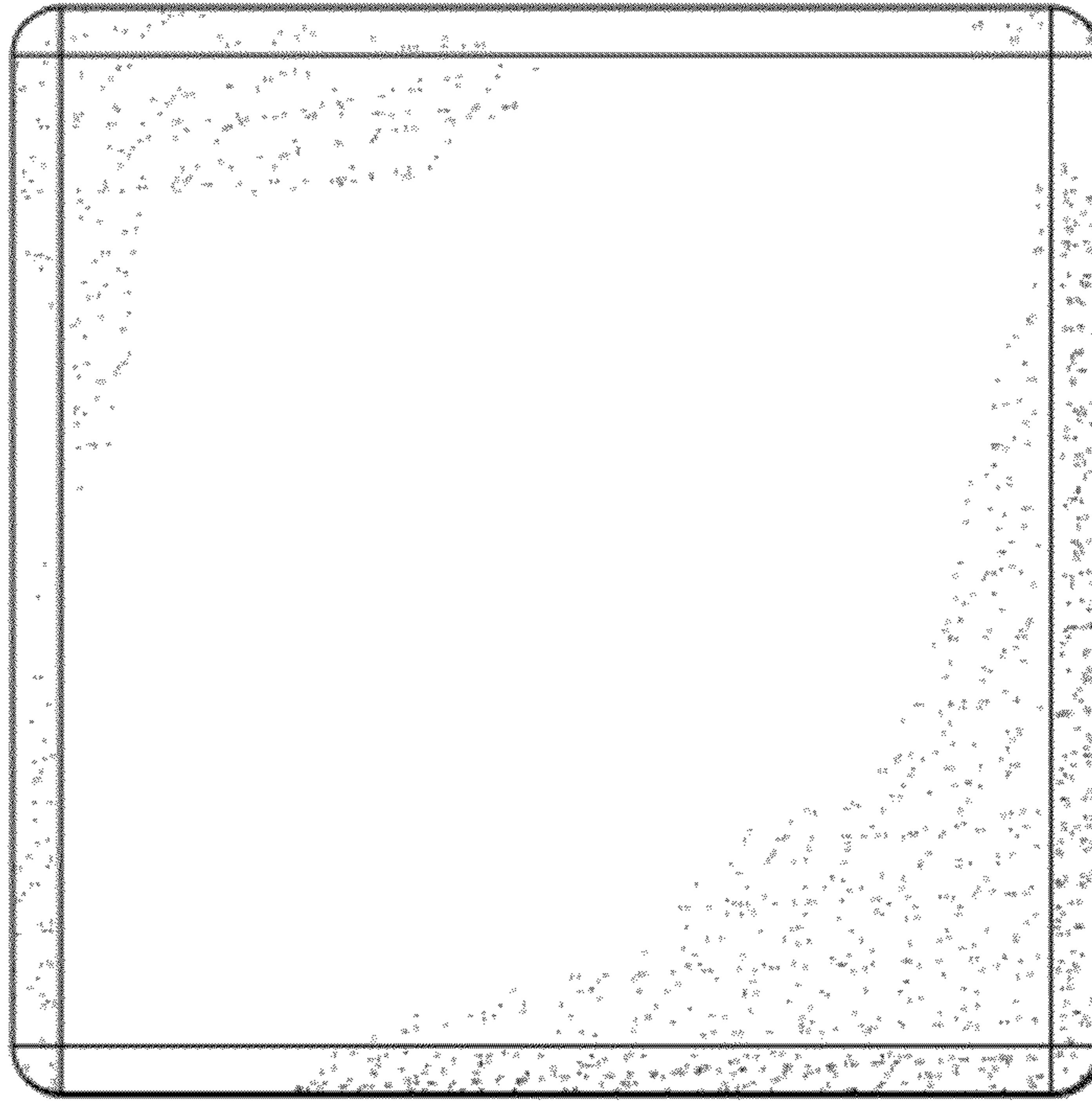


FIG. 8

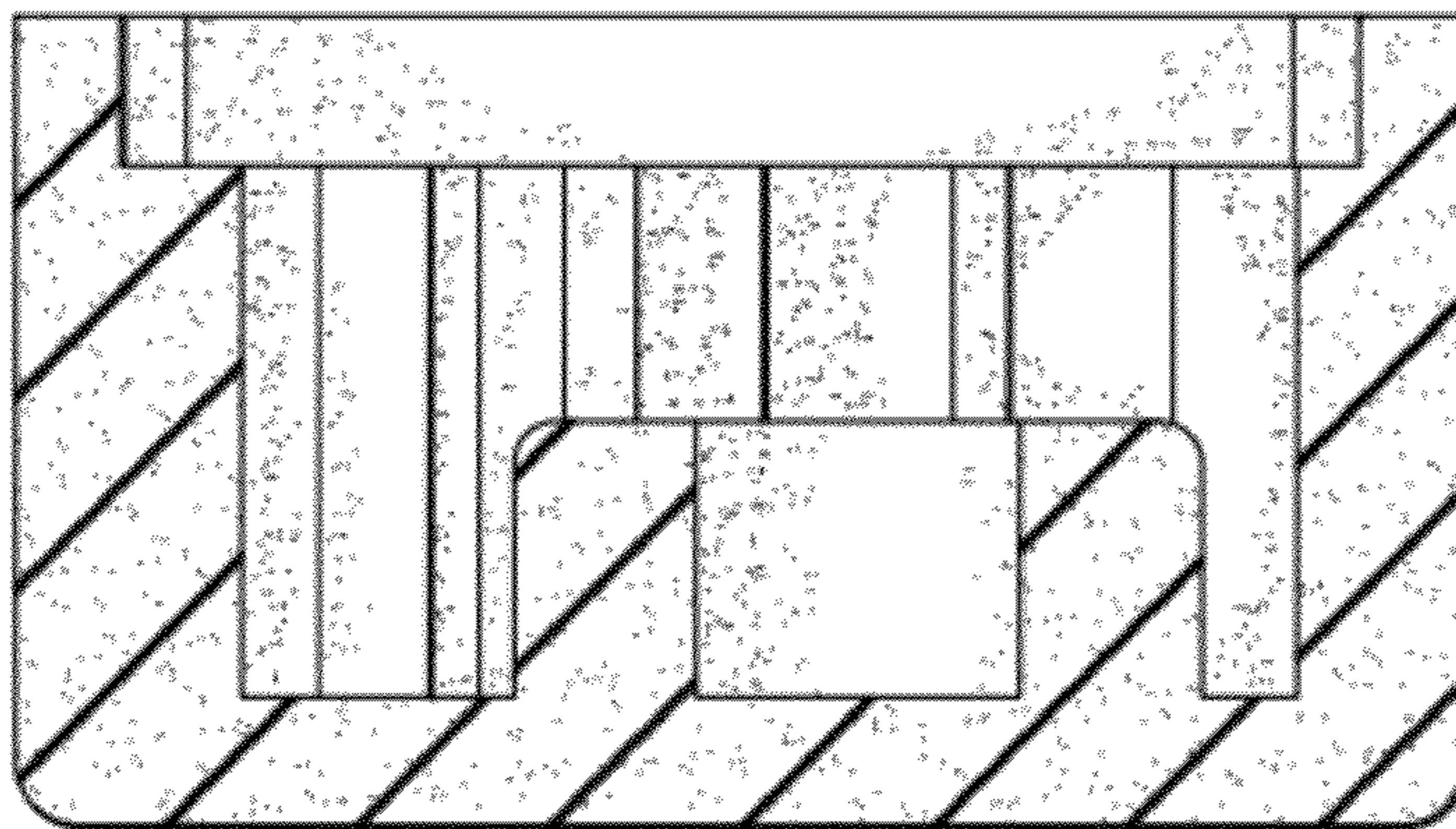


FIG. 9