



US00D662818S

(12) **United States Design Patent**  
**Andres et al.**

(10) **Patent No.:** **US D662,818 S**  
(45) **Date of Patent:** **\*\* Jul. 3, 2012**

(54) **LID FOR A CONTAINER**

(75) Inventors: **Brian David Andres**, Harrison, OH (US); **William Kater Lasala**, Mason, OH (US); **Michael Donald Webb**, West Chester, OH (US); **Francisco Miguel de Tavares Duarte Nogueira**, Dendermonde (BE)

(73) Assignee: **The Procter & Gamble Company**, Cincinnati, OH (US)

(\*\*) Term: **14 Years**

(21) Appl. No.: **29/404,649**

(22) Filed: **Oct. 24, 2011**

(51) **LOC (9) Cl.** ..... **09-07**

(52) **U.S. Cl.** ..... **D9/449**

(58) **Field of Classification Search** ..... D9/456, D9/455, 434; D3/328, 319, 313, 295, 294, D3/273, 203.8, 203.6, 203.1, 201; D25/141, D25/125, 123, 115, 114, 113; 428/152, 150, 428/141; 410/154; 206/711, 710  
See application file for complete search history.

(56) **References Cited**

**U.S. PATENT DOCUMENTS**

3,421,654 A \* 1/1969 Hexel ..... 220/254.3  
6,761,279 B1 \* 7/2004 Martin et al. .... 220/258.2

6,889,866 B2 \* 5/2005 Gilliam et al. .... 220/675  
D529,802 S \* 10/2006 Jelich et al. .... D9/449  
D530,204 S \* 10/2006 Zaidman ..... D9/449  
2011/0204087 A1 \* 8/2011 Kopulos et al. .... 222/71

**OTHER PUBLICATIONS**

U.S. Appl. No. 29/404,634, filed Oct. 24, 2011, Andres, et al.  
U.S. Appl. No. 29/404,636, filed Oct. 24, 2011, Andres.  
U.S. Appl. No. 29/404,637, filed Oct. 24, 2011, Andres.  
U.S. Appl. No. 29/404,640, filed Oct. 24, 2011, Andres.

\* cited by examiner

*Primary Examiner* — Susan Bennett Hattan

(74) *Attorney, Agent, or Firm* — Julie A. McConihay; Leonard W. Lewis; Steven W. Miller

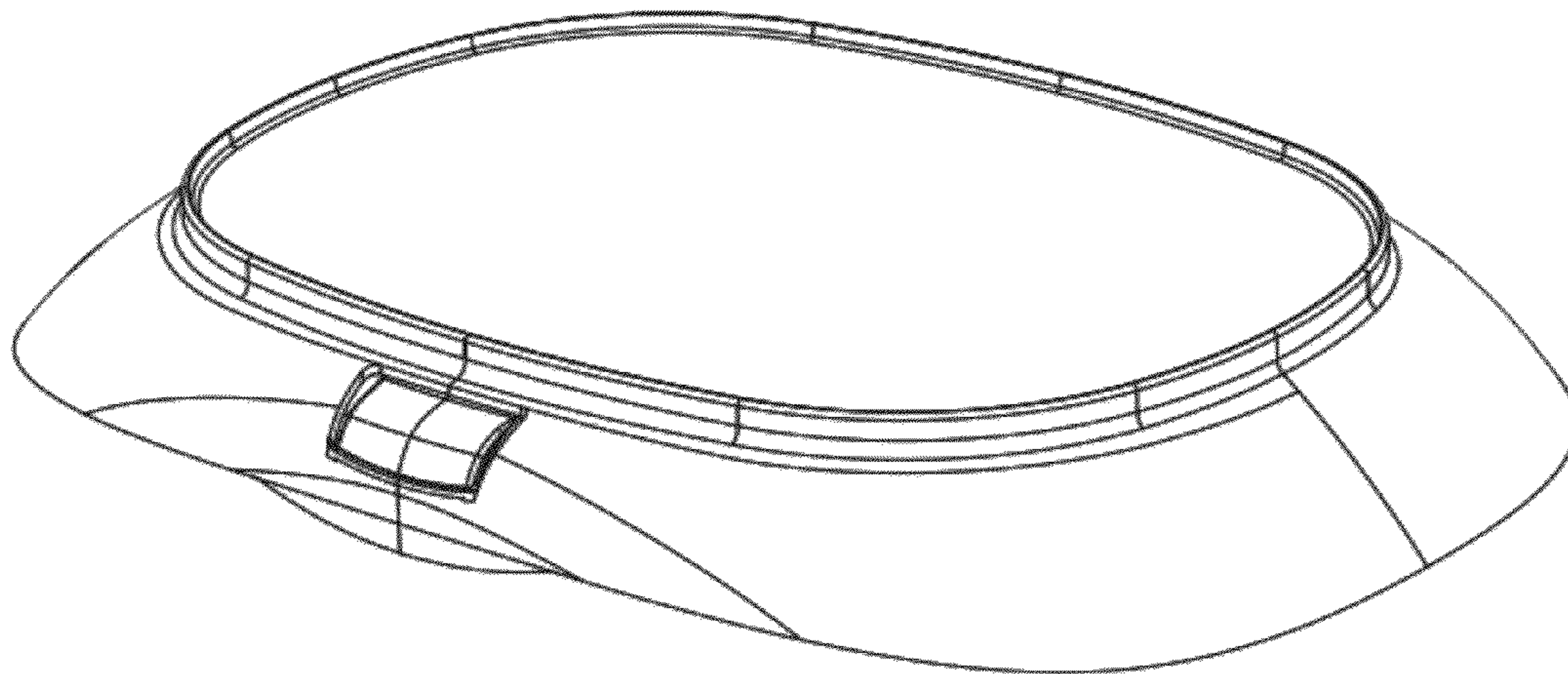
(57) **CLAIM**

The ornamental design for a lid for a container, as shown and described.

**DESCRIPTION**

FIG. 1 is a perspective view of a lid for a container embodying our new design;  
FIG. 2 is a front view of a lid for a container;  
FIG. 3 is a back view of a lid for a container;  
FIG. 4 is a left side view of a lid for a container;  
FIG. 5 is a right side view of a lid for a container;  
FIG. 6 is a top view of a lid for a container; and,  
FIG. 7 is a bottom view of a lid for a container.

**1 Claim, 7 Drawing Sheets**



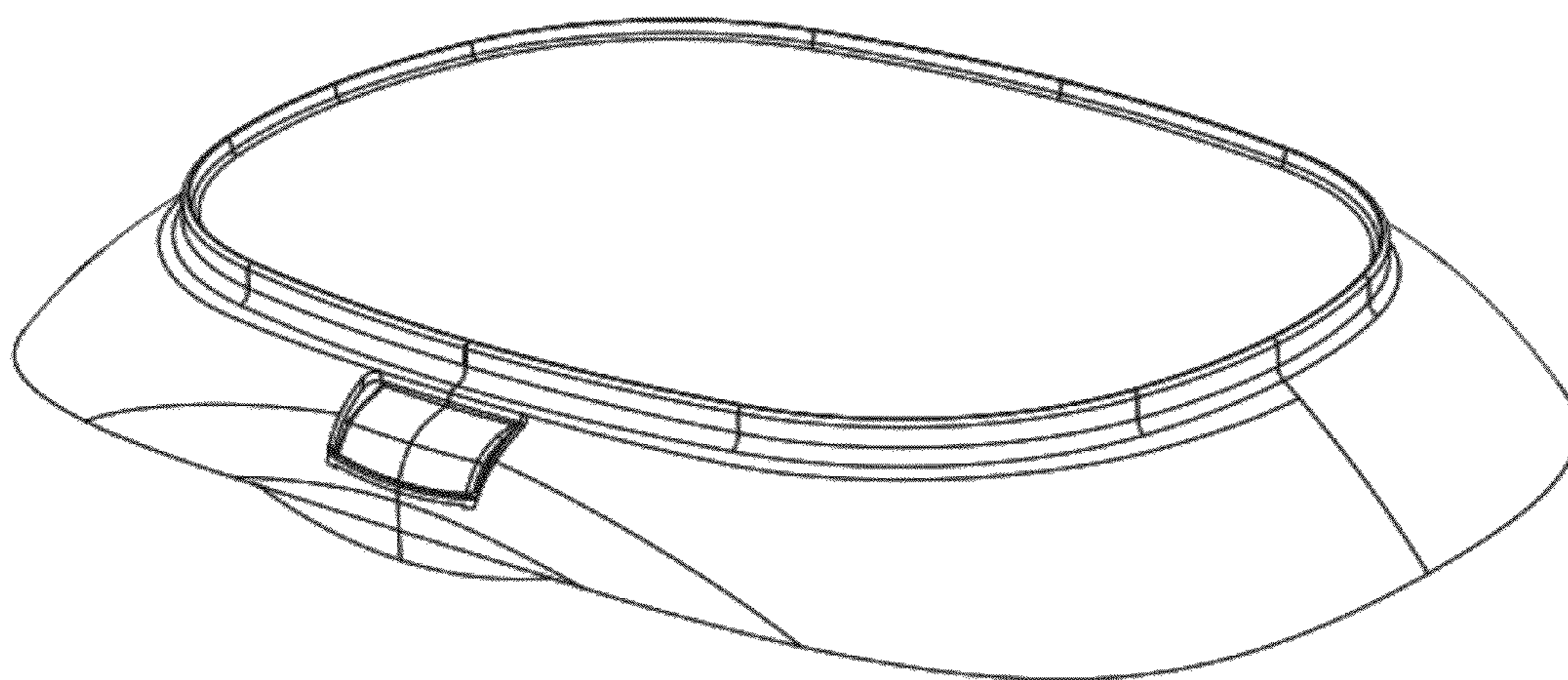


FIG. 1

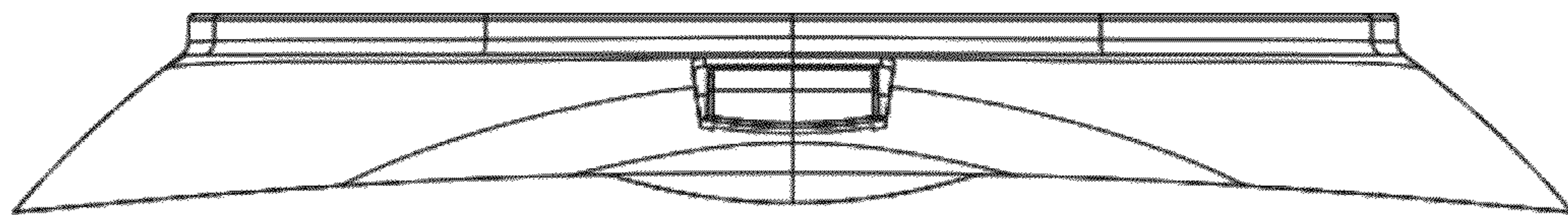


FIG. 2

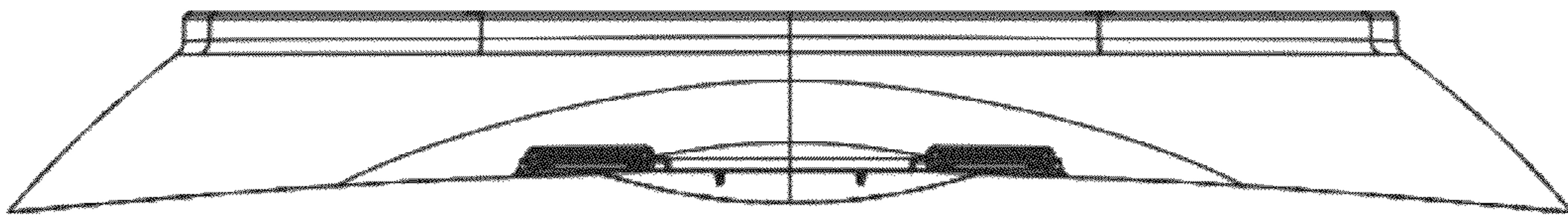


FIG. 3

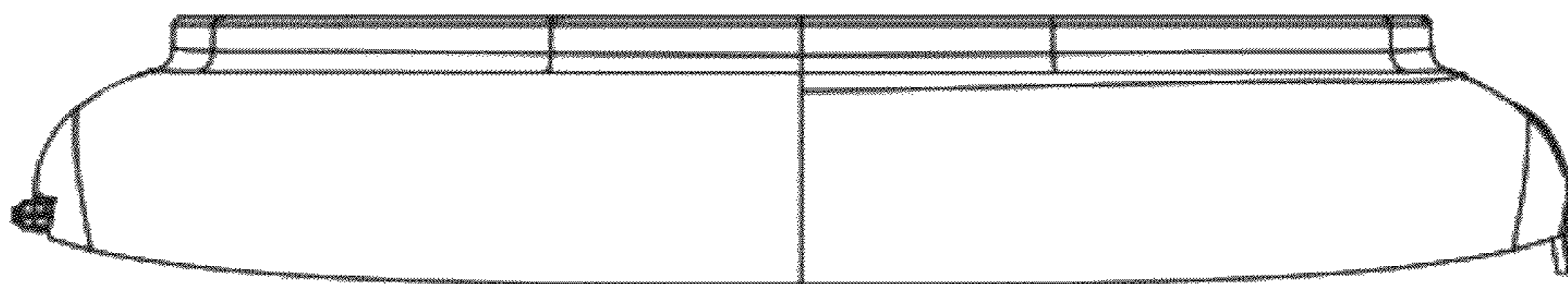


FIG. 4

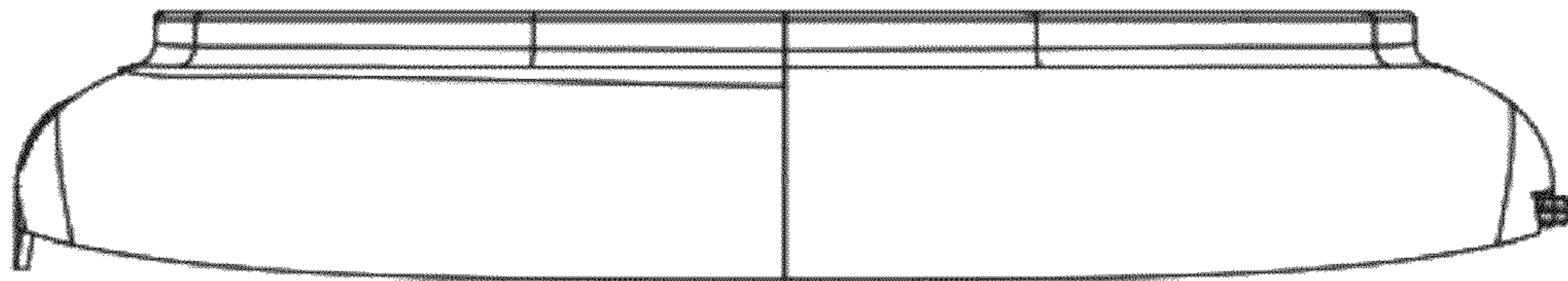


FIG. 5

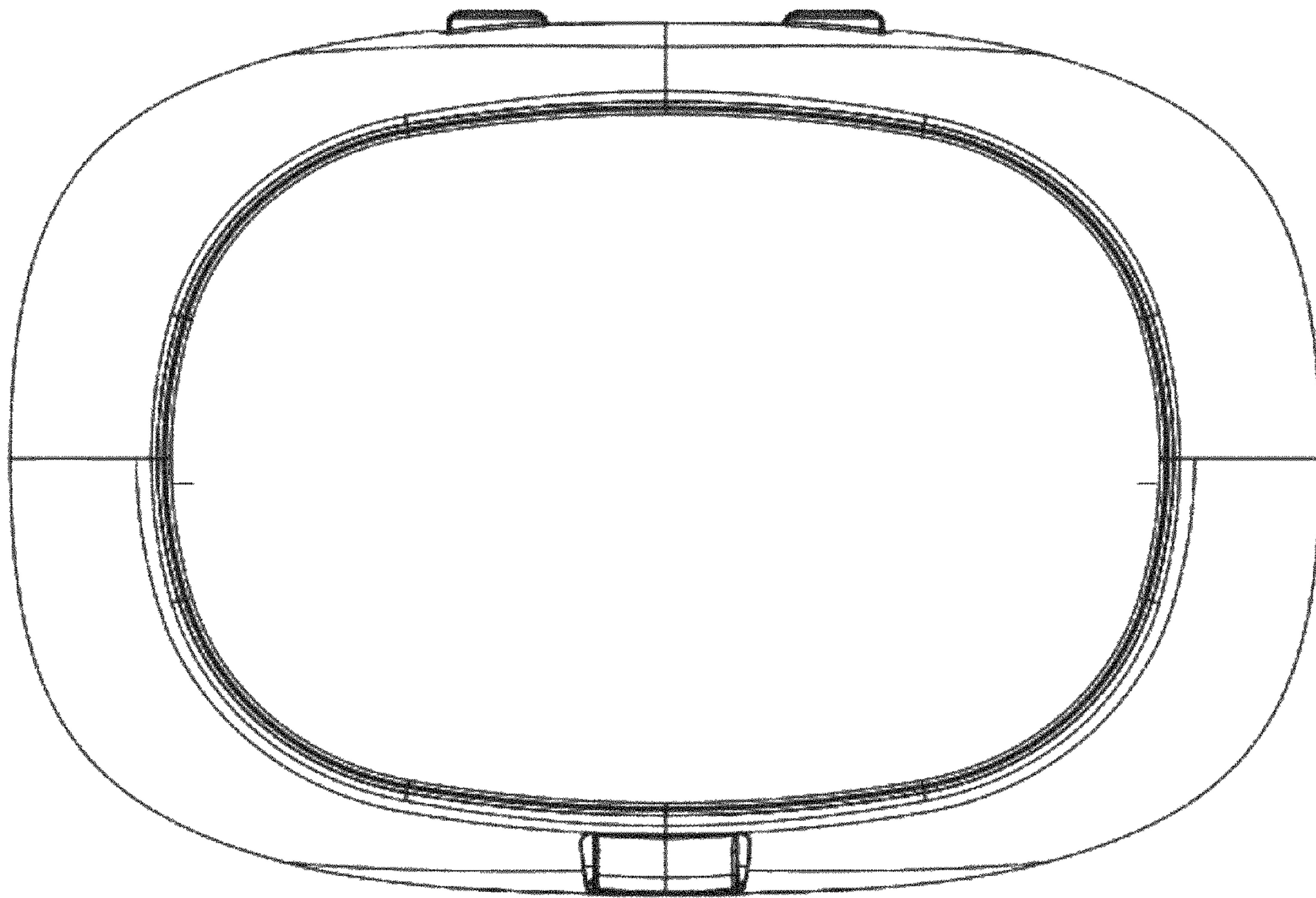


FIG. 6

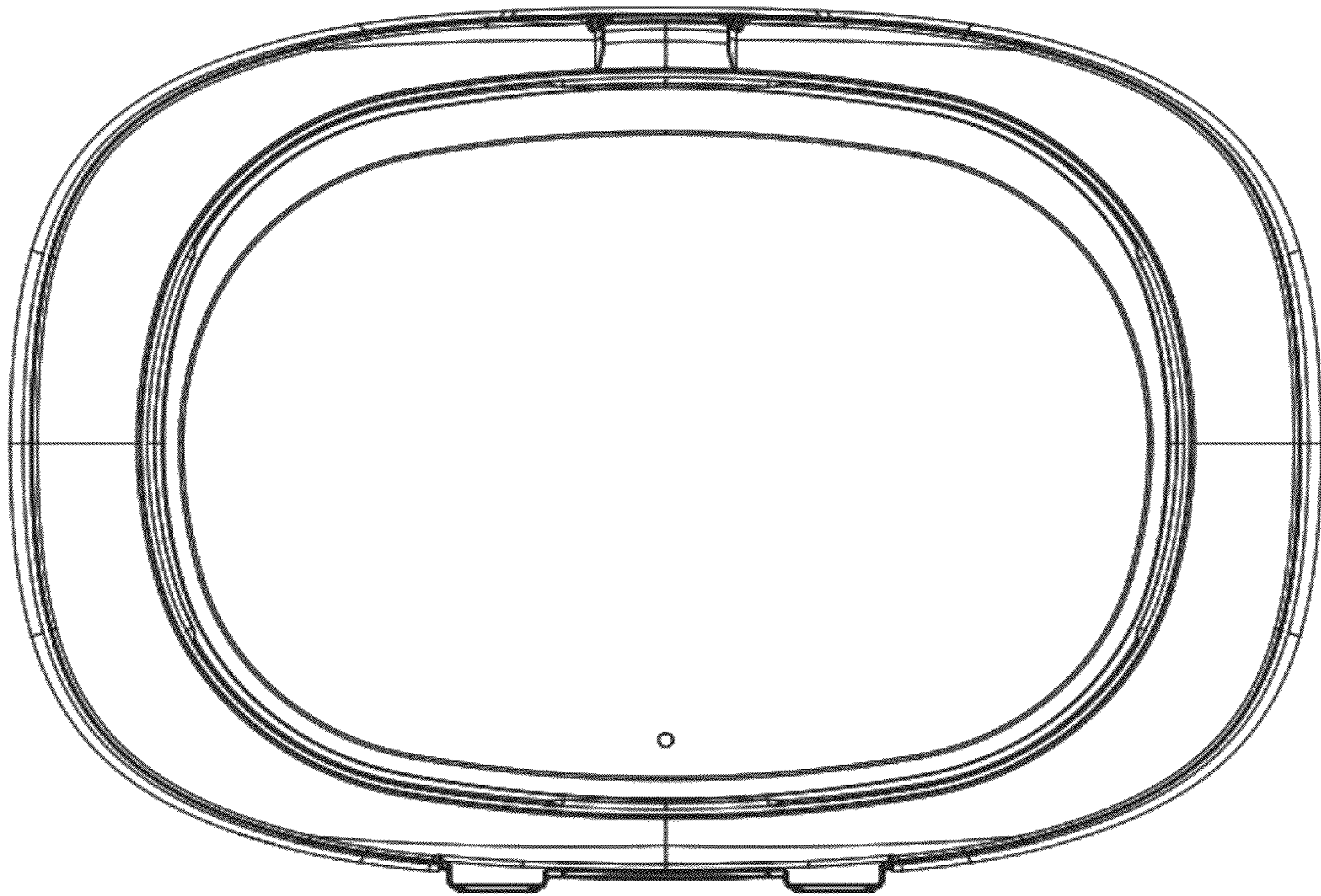


FIG. 7